



US00D799281S

(12) **United States Design Patent** (10) **Patent No.:** **US D799,281 S**  
**Walsh et al.** (45) **Date of Patent:** **\*\* Oct. 10, 2017**

- (54) **SIEVE**
- (71) Applicant: **D & J Products, Inc.**, Bellvue, CO (US)
- (72) Inventors: **Daniel J. Walsh**, Steamboat Springs, CO (US); **Jordan Levick**, Bellvue, CO (US)
- (73) Assignee: **D & J Products, Inc.**, Bellvue, CO (US)

- D314,315 S 2/1991 Darnell
- D330,992 S 11/1992 Kleek
- D334,691 S 4/1993 Feer
- D349,211 S 8/1994 Cerato
- D359,887 S 7/1995 Hasuike
- 5,505,850 A 4/1996 Licari
- 5,622,266 A 4/1997 Curtis
- D398,088 S 9/1998 Angier
- D408,693 S 4/1999 Wong
- D420,864 S 2/2000 Kenney et al.

(Continued)

- (\*\*) Term: **15 Years**
- (21) Appl. No.: **29/604,292**
- (22) Filed: **May 16, 2017**

**OTHER PUBLICATIONS**

Amazon.com. 13<sup>3</sup>/<sub>4</sub> Top Gold Sifting Pan with 11 Bottom <sup>1</sup>/<sub>4</sub> Mesh Size, Fits 5 gal. Bucket. Website, <http://www.amazon.com>, originally downloaded Dec. 19, 2014, 1 page.

(Continued)

**Related U.S. Application Data**

- (63) Continuation of application No. 29/559,473, filed on Mar. 29, 2016, now Pat. No. Des. 786,630, which is a continuation of application No. 29/513,500, filed on Dec. 31, 2014, now Pat. No. Des. 752,399.
- (51) **LOC (10) Cl.** ..... **07-04**
- (52) **U.S. Cl.**  
USPC ..... **D7/667**
- (58) **Field of Classification Search**  
USPC ..... D7/667, 571, 543; 210/464-465, 210/498-499, 497.01; 99/415, 425; 209/233, 391, 418  
CPC ..... A47J 43/22; A47J 43/24  
See application file for complete search history.

*Primary Examiner* — Robin V Webster

*Assistant Examiner* — James C Thorn, Sr.

(74) *Attorney, Agent, or Firm* — Craig R. Miles; CR Miles P.C.

(57) **CLAIM**

We claim the ornamental design for a sieve, as shown and described.

**DESCRIPTION**

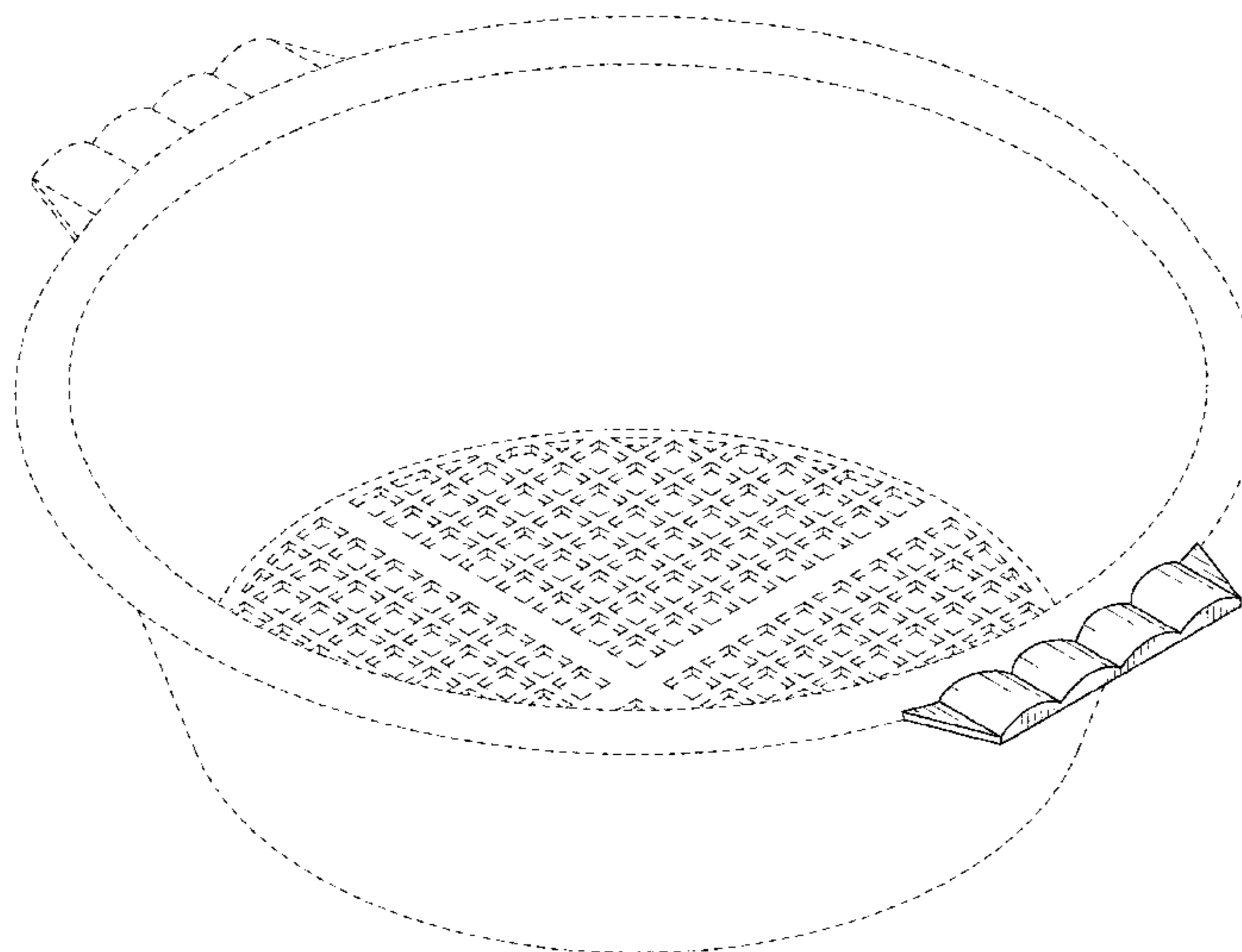
FIG. 1 is a top and side perspective of a sieve, embodying our new design;  
 FIG. 2 is a top plan view thereof;  
 FIG. 3 is a bottom plan view thereof;  
 FIG. 4 is a front elevation view thereof, the front and rear elevation views are identical; and,  
 FIG. 5 is a side elevation view thereof, the left and right side elevation views are identical.

The broken lines shown are included for the purpose of illustrating the unclaimed portions of the article and form no part of the claim.

(56) **References Cited**  
U.S. PATENT DOCUMENTS

|             |         |                   |
|-------------|---------|-------------------|
| 96,973 A    | 11/1869 | Saxton            |
| 3,980,563 A | 9/1976  | Greutert et al.   |
| D254,142 S  | 2/1980  | Scherotto         |
| D298,403 S  | 11/1988 | Hagberg et al.    |
| D299,497 S  | 1/1989  | Reidenbach et al. |

**1 Claim, 4 Drawing Sheets**



(56)

References Cited

U.S. PATENT DOCUMENTS

D433,884 S 11/2000 Fujimoto  
 D440,126 S 4/2001 Smaldone  
 D445,004 S 7/2001 Wallays  
 D450,547 S 11/2001 Lo  
 D480,096 S 9/2003 Hovian  
 D486,999 S 2/2004 de Groote et al.  
 D489,231 S 5/2004 Moeller et al.  
 D498,121 S 11/2004 Moeller et al.  
 D503,592 S 4/2005 de Groote et al.  
 D512,284 S 12/2005 Massey  
 D514,398 S 2/2006 Feil  
 D523,300 S 6/2006 Tung  
 7,114,459 B2 10/2006 Schmidt et al.  
 D571,168 S 6/2008 Sais  
 D641,215 S 7/2011 Heiberg et al.  
 D648,983 S 11/2011 Zemel  
 D666,086 S 8/2012 Mundhra  
 D701,419 S 3/2014 Sickels et al.  
 D706,088 S \* 6/2014 De Leo ..... D7/667  
 D720,960 S 1/2015 Ko et al.  
 D733,509 S 7/2015 Cornu  
 D734,103 S \* 7/2015 Kin ..... D7/667  
 D744,302 S 12/2015 Westgard et al.  
 D752,399 S 3/2016 Walsh et al.  
 D754,494 S 4/2016 Schuler et al.

D754,495 S 4/2016 Cotter  
 D764,242 S 8/2016 Frank et al.  
 D766,656 S 9/2016 MacInnis et al.  
 D766,675 S 9/2016 Schlegel et al.  
 D778,691 S \* 2/2017 Powell ..... A47J 43/24  
 D780,520 S \* 3/2017 Belin ..... D7/667  
 D784,777 S \* 4/2017 Cotter ..... D7/667  
 D786,020 S \* 5/2017 Traub ..... D7/543  
 D786,630 S 5/2017 Walsh et al.  
 D790,291 S \* 6/2017 Durmus ..... D7/667  
 2014/0102956 A1 \* 4/2014 Powell ..... A47J 43/24  
 2015/0216365 A1 \* 8/2015 Lee ..... A47J 47/20  
 2016/0007803 A1 1/2016 Girardin  
 2016/0183731 A1 6/2016 Merkazy  
 2017/0049273 A1 \* 2/2017 Priestner ..... A47J 43/24

OTHER PUBLICATIONS

Pioneer Mining. Bucket Sieve Container. Website, <http://www.pioneermining.com>, originally downloaded Dec. 19, 2014, 2 total pages.  
 Pioneer Mining. Pans & Screens. Website, <http://www.pioneermining.com>, originally downloaded Dec. 19, 2014, 6 total pages.

\* cited by examiner

FIG. 1

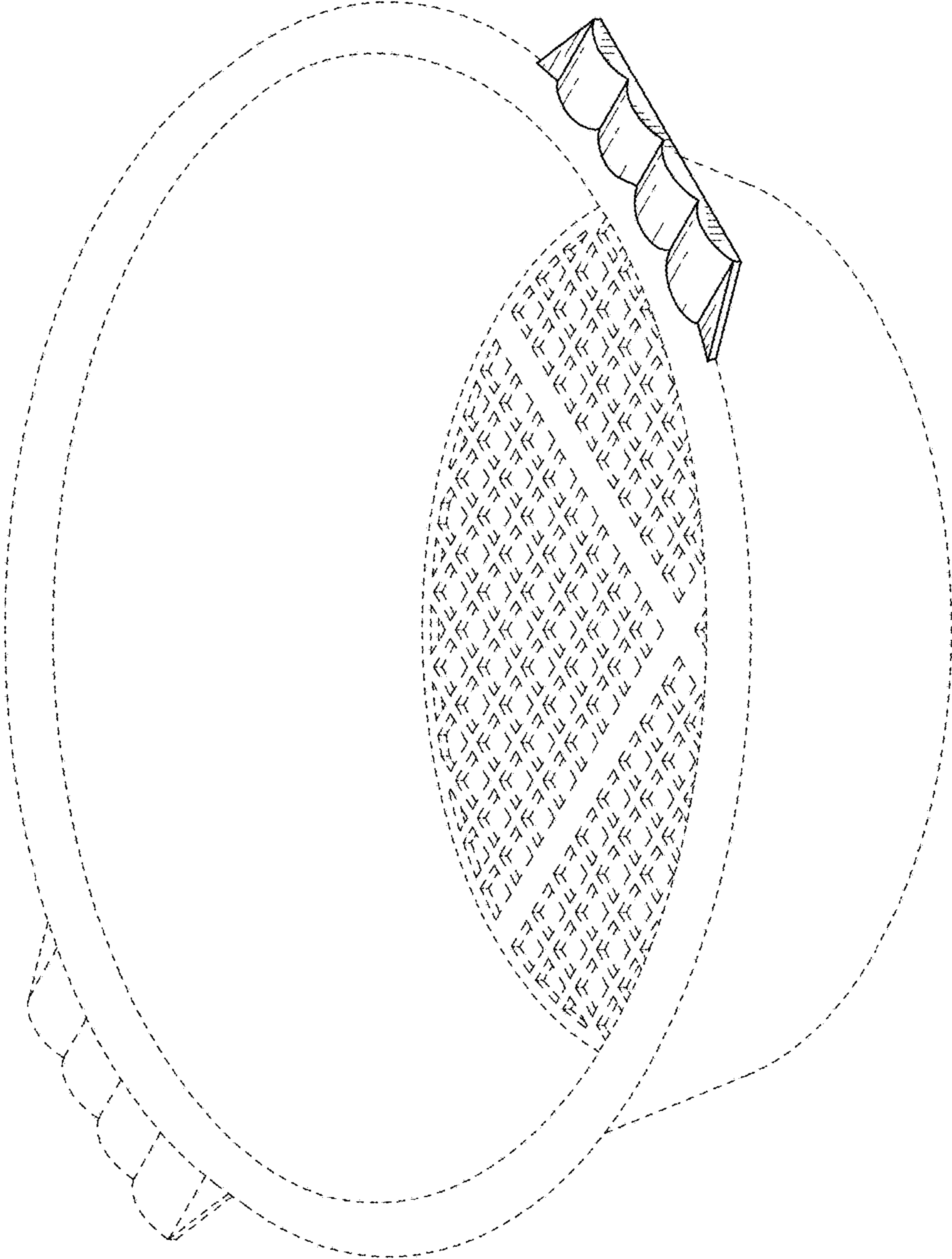


FIG. 2

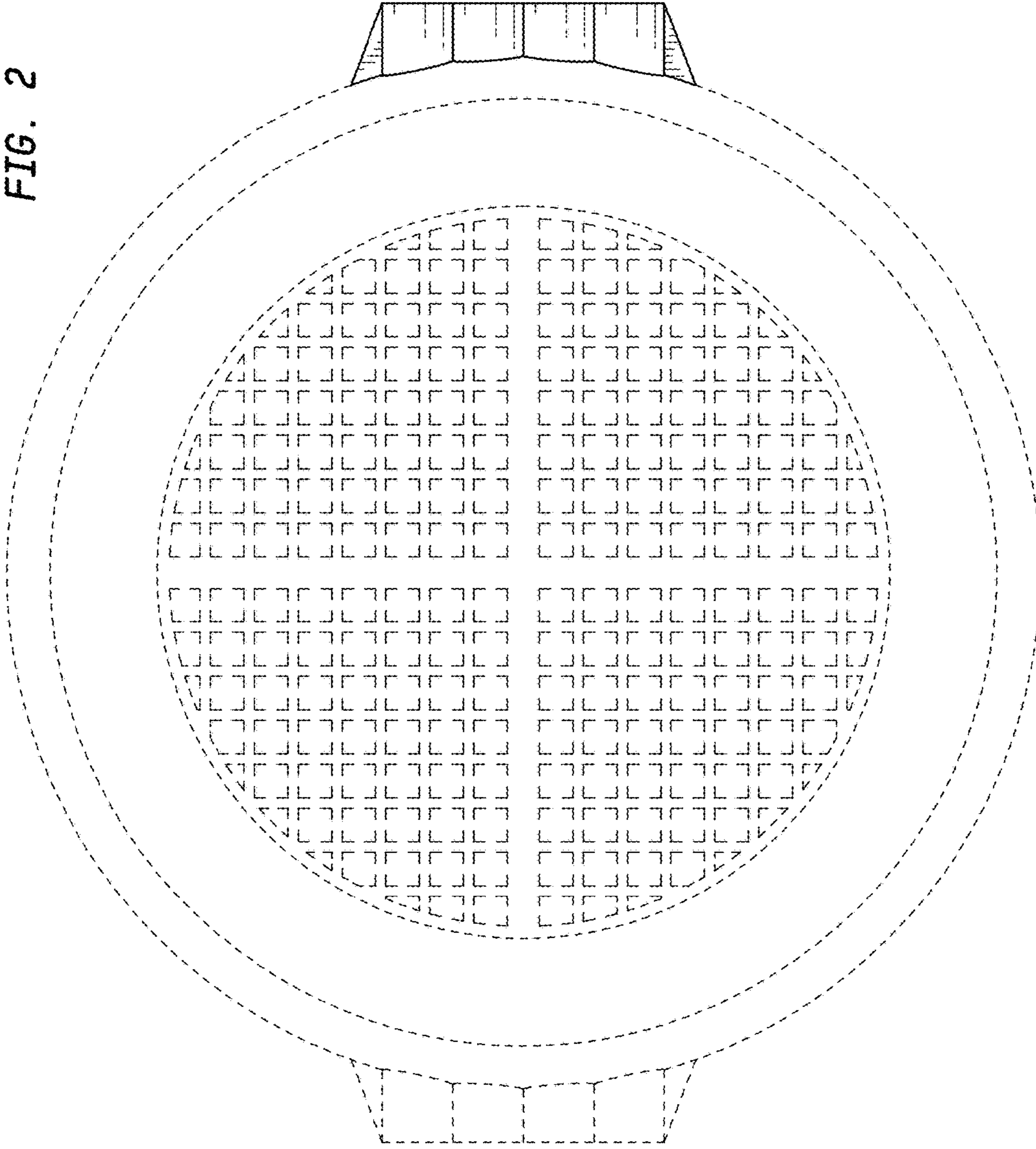


FIG. 3

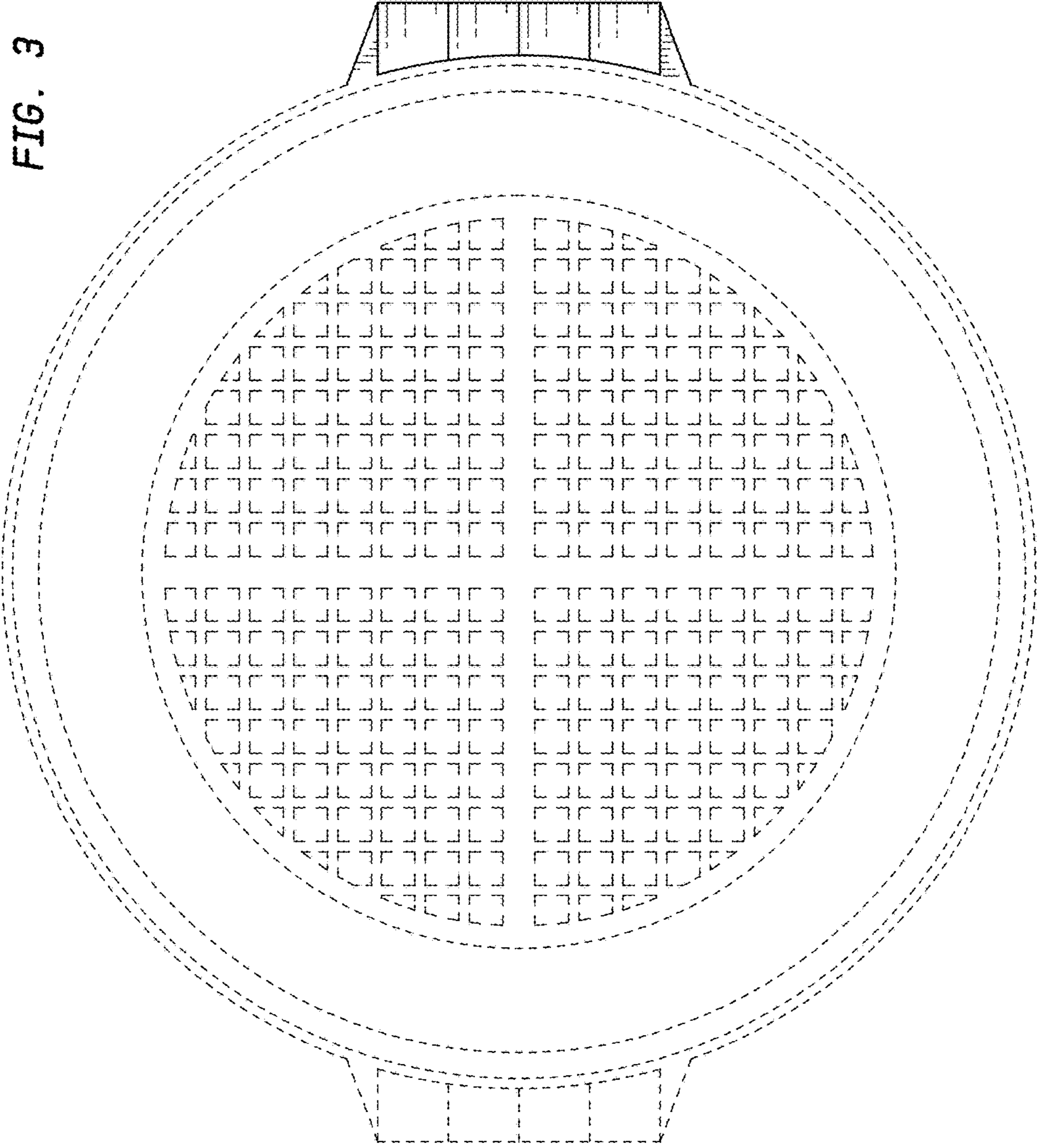


FIG. 4

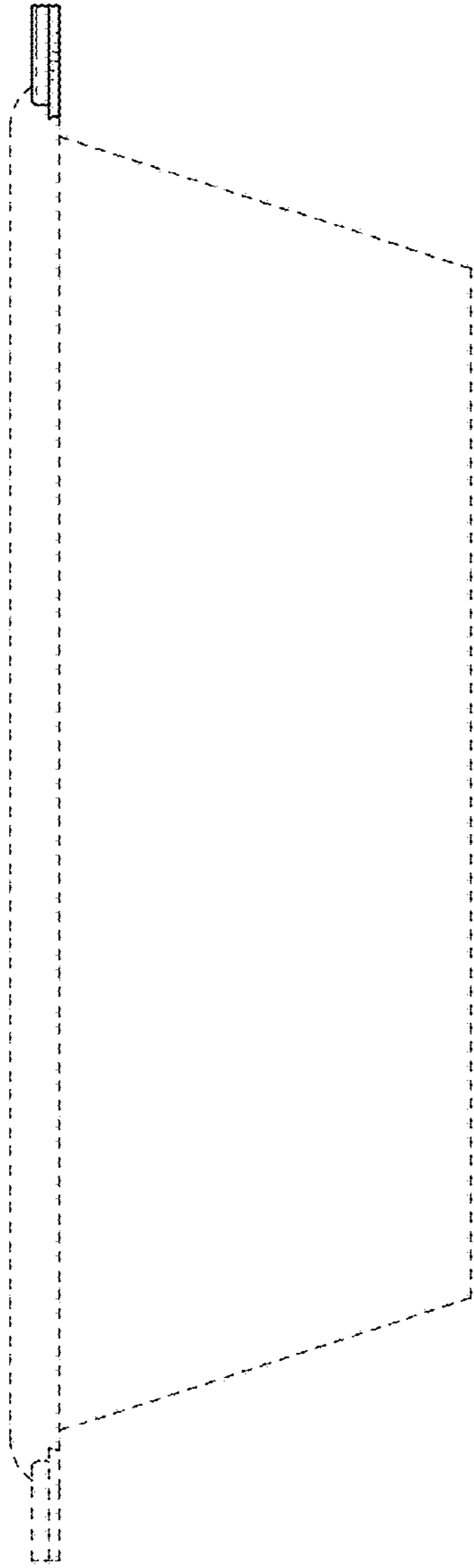


FIG. 5

