



US00D799279S

(12) **United States Design Patent**
McGraw

(10) **Patent No.:** **US D799,279 S**

(45) **Date of Patent:** **** Oct. 10, 2017**

(54) **BEVERAGE HOLDER**

(71) Applicant: **Mark McGraw**, Suwanee, GA (US)

(72) Inventor: **Mark McGraw**, Suwanee, GA (US)

(**) Term: **15 Years**

(21) Appl. No.: **29/560,871**

(22) Filed: **Apr. 11, 2016**

(51) **LOC (10) Cl.** **07-06**

(52) **U.S. Cl.**
USPC **D7/622**

(58) **Field of Classification Search**
USPC D7/619.1-625, 605-608, 707-708, 533,
D7/536, 393
CPC A47G 23/0266; A47G 23/0233; A47G
23/0241; A47G 23/0216; A47G 23/02;
A47G 19/2205; B65D 25/2829; B65D
25/2817; B65D 2313/02; A45F 5/10;
A47J 45/10; A47J 45/077

See application file for complete search history.

(56) **References Cited**

U.S. PATENT DOCUMENTS

2,981,562 A * 4/1961 Long A47G 23/0241
215/12.1
3,979,011 A * 9/1976 Schleicher A47G 23/0266
220/287
D287,451 S * 12/1986 Schrock D7/622
D395,238 S * 6/1998 Freitas D9/455

D395,825 S * 7/1998 Freitas D9/455
5,848,722 A * 12/1998 Hanes A47G 23/0233
215/387
6,729,665 B1 * 5/2004 Posey B65D 23/106
215/396
D615,366 S * 5/2010 Berezansky D7/622
D740,618 S * 10/2015 Knoll D7/622
2015/0164256 A1 * 6/2015 Helton A47G 23/0216
220/738

* cited by examiner

Primary Examiner — Terry Wallace

(74) *Attorney, Agent, or Firm* — Christina Chamberlain;
Intellectual Property Consulting, LLC

(57) **CLAIM**

The ornamental design for a beverage holder, as shown and described.

DESCRIPTION

FIG. 1 is an upper perspective view of beverage holder showing my new design.

FIG. 2 is a lower perspective view of the beverage holder in FIG. 1.

FIG. 3 is a front view of the beverage holder in FIG. 1, the opposite side being a mirror image.

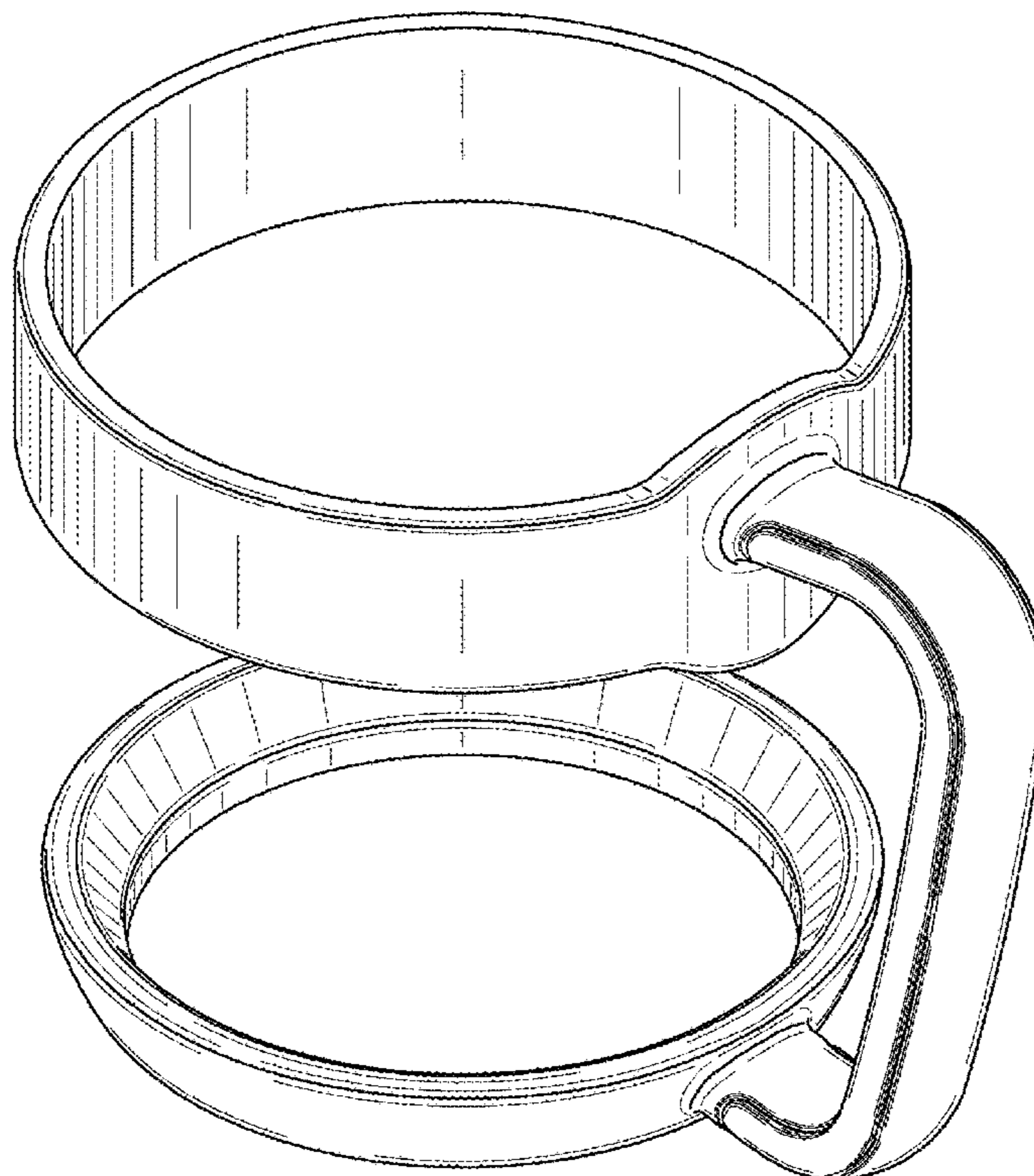
FIG. 4 is a left side view of a beverage holder in FIG. 1.

FIG. 5 is a right side view of a beverage holder in FIG. 1.

FIG. 6 is a top view of the beverage holder in FIG. 1; and,

FIG. 7 is a bottom view of the beverage holder in FIG. 1.

1 Claim, 7 Drawing Sheets



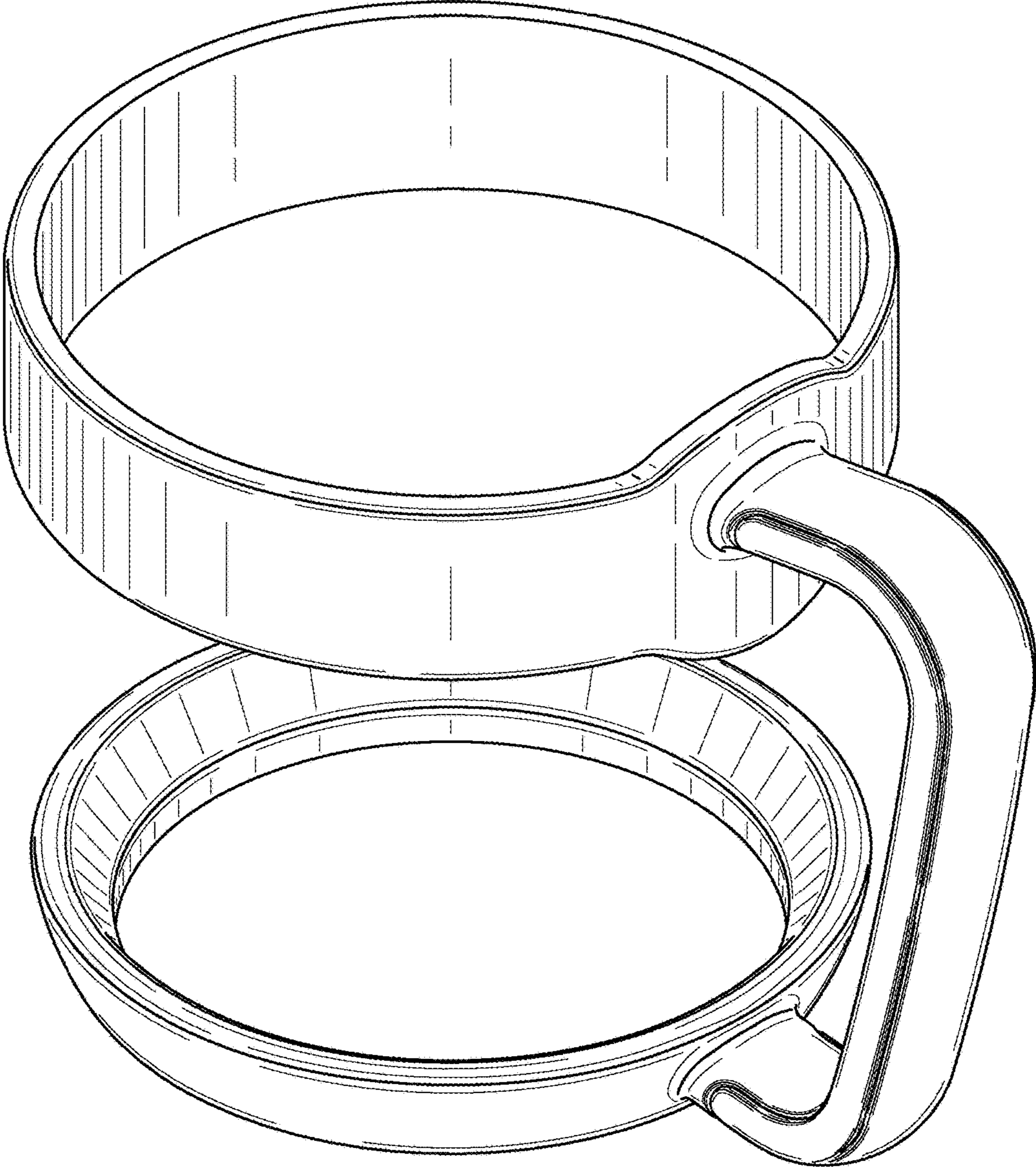


FIG. 1

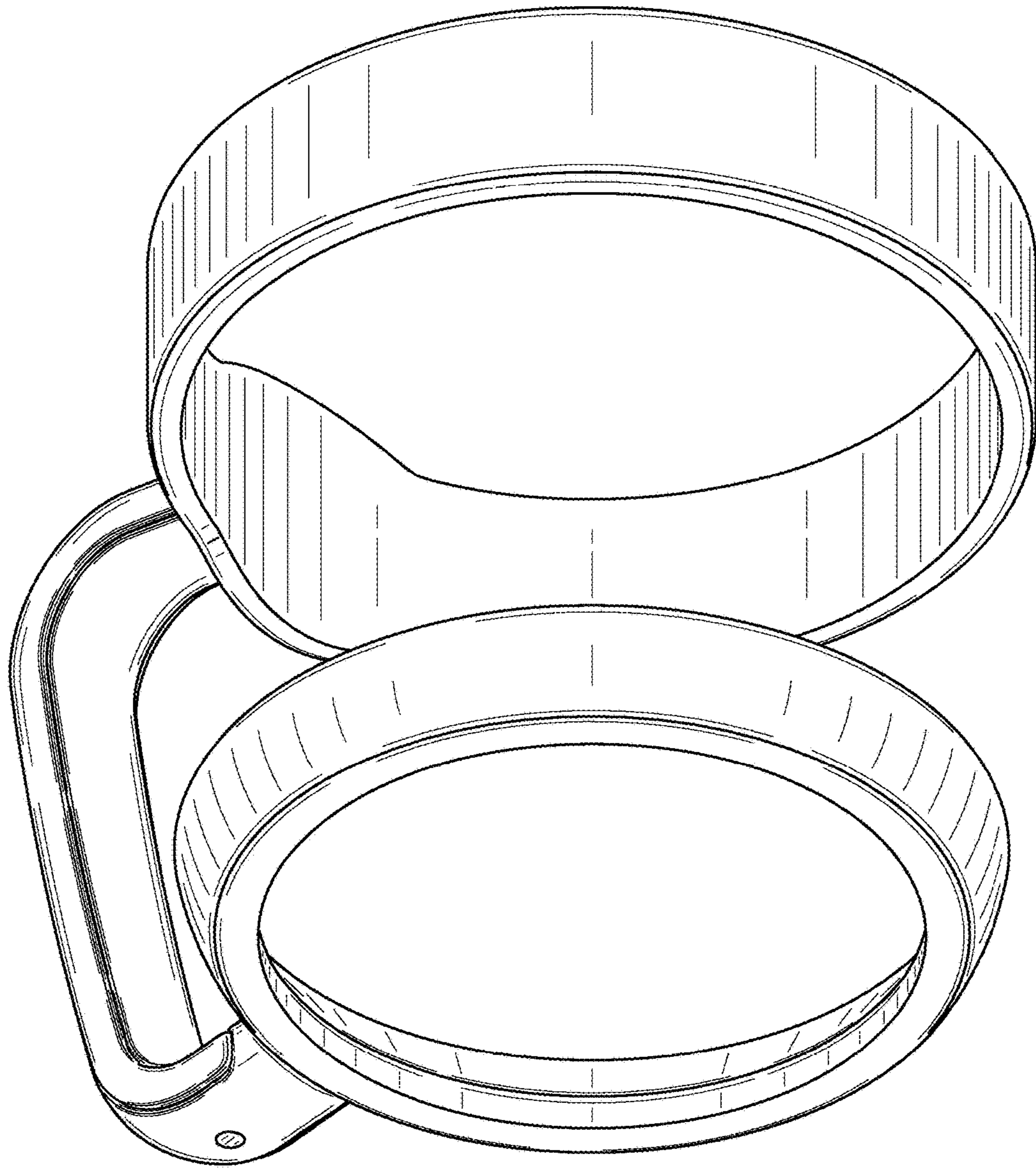


FIG. 2

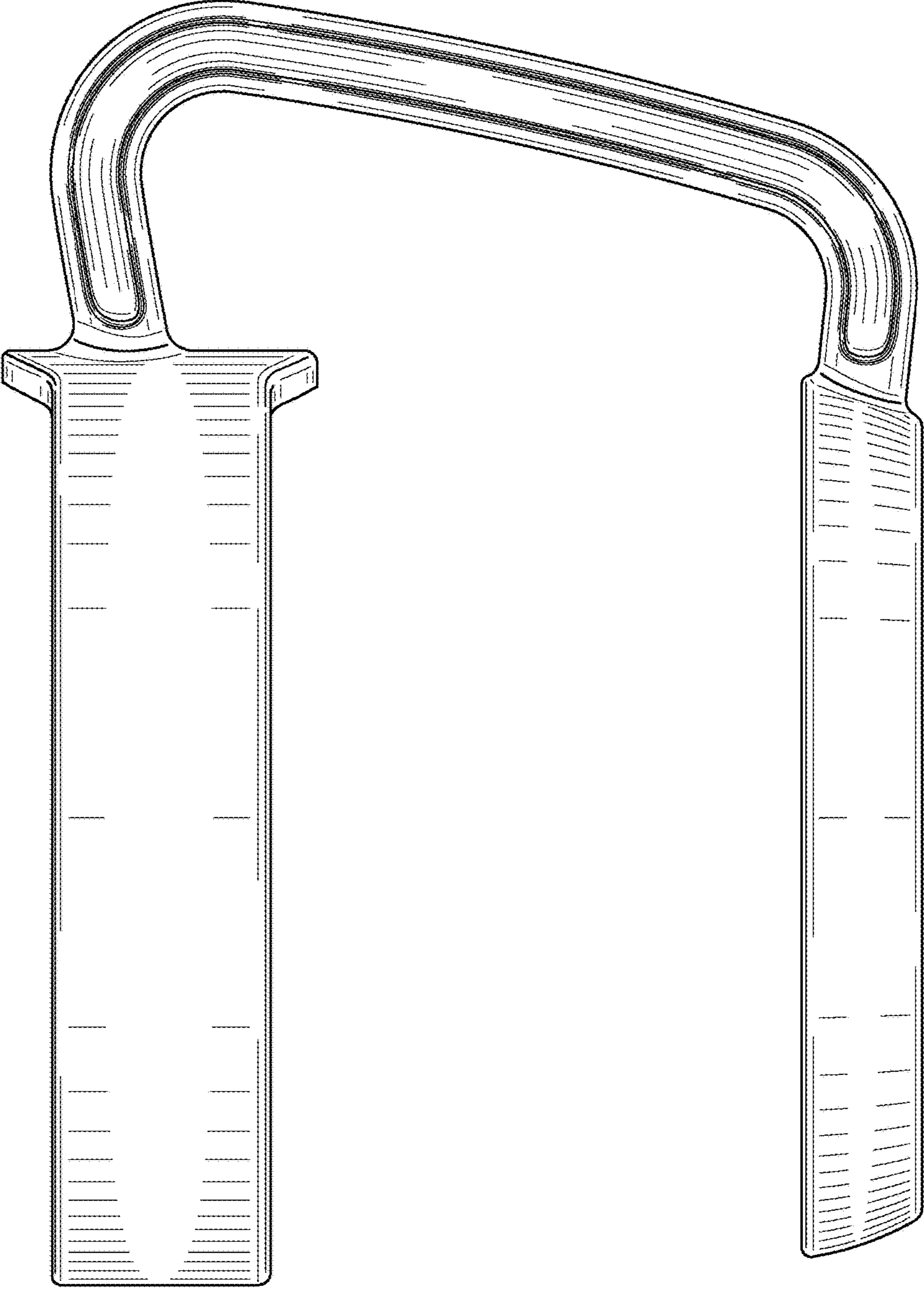


FIG. 3

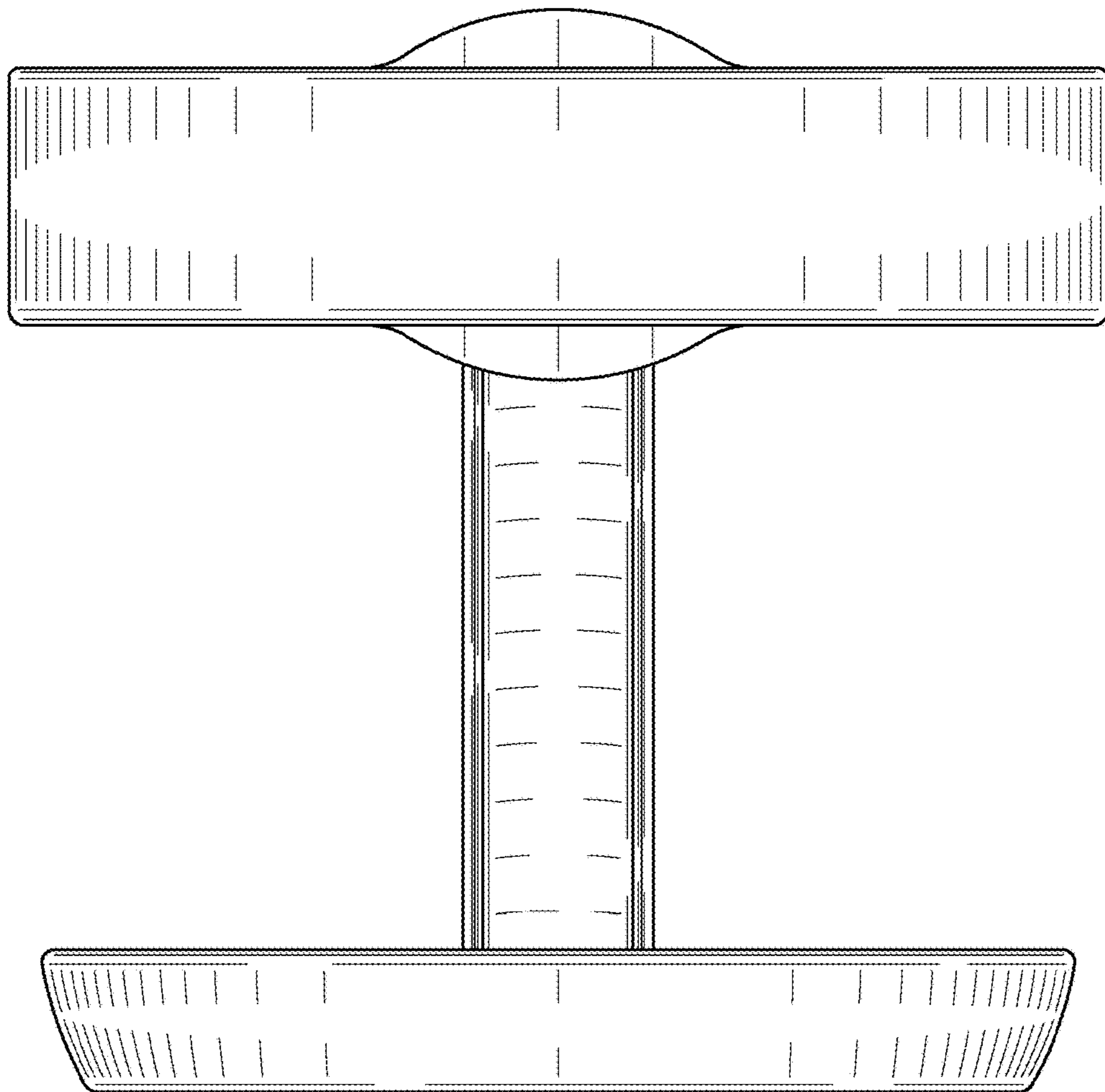


FIG. 4

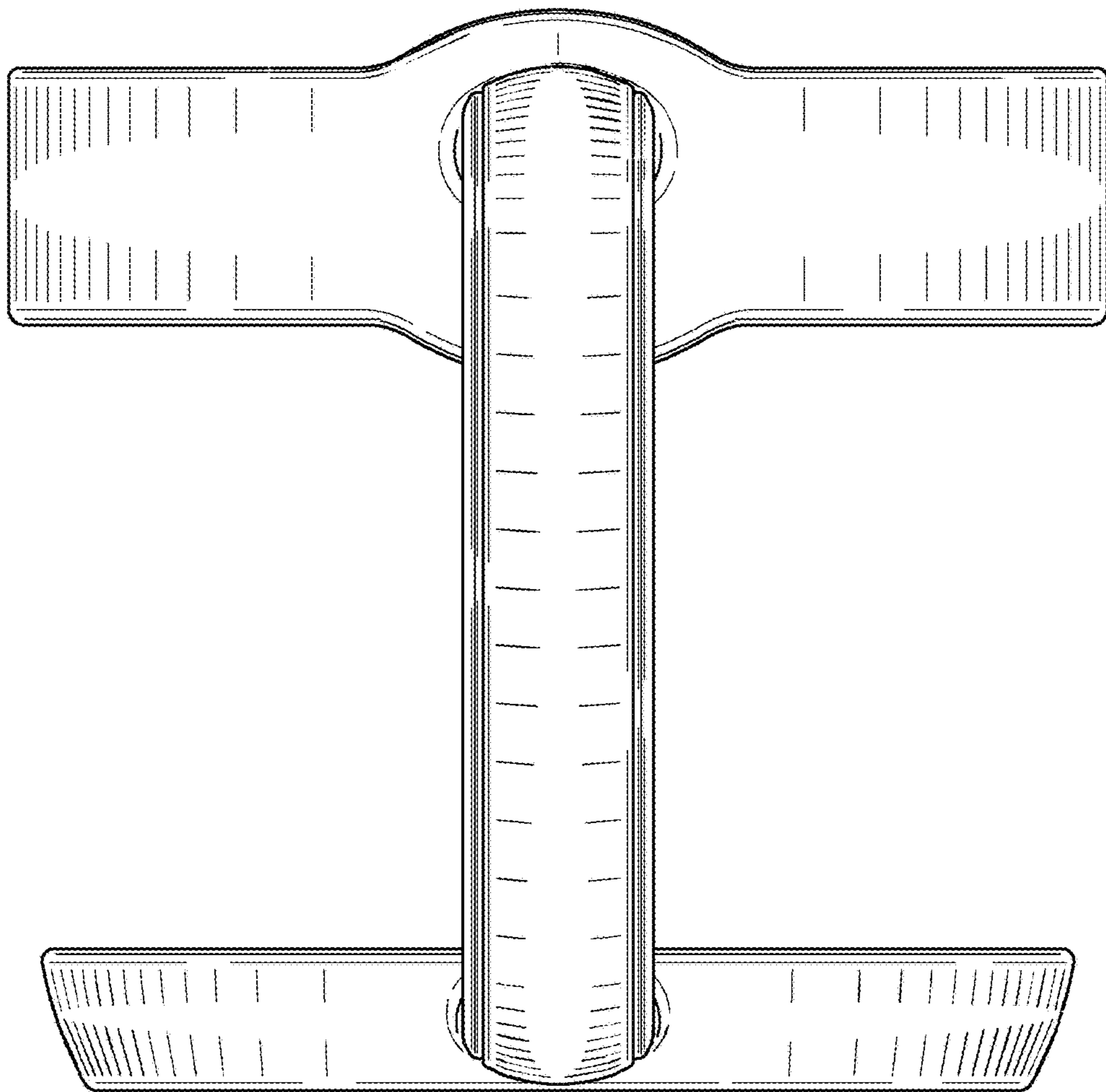


FIG. 5

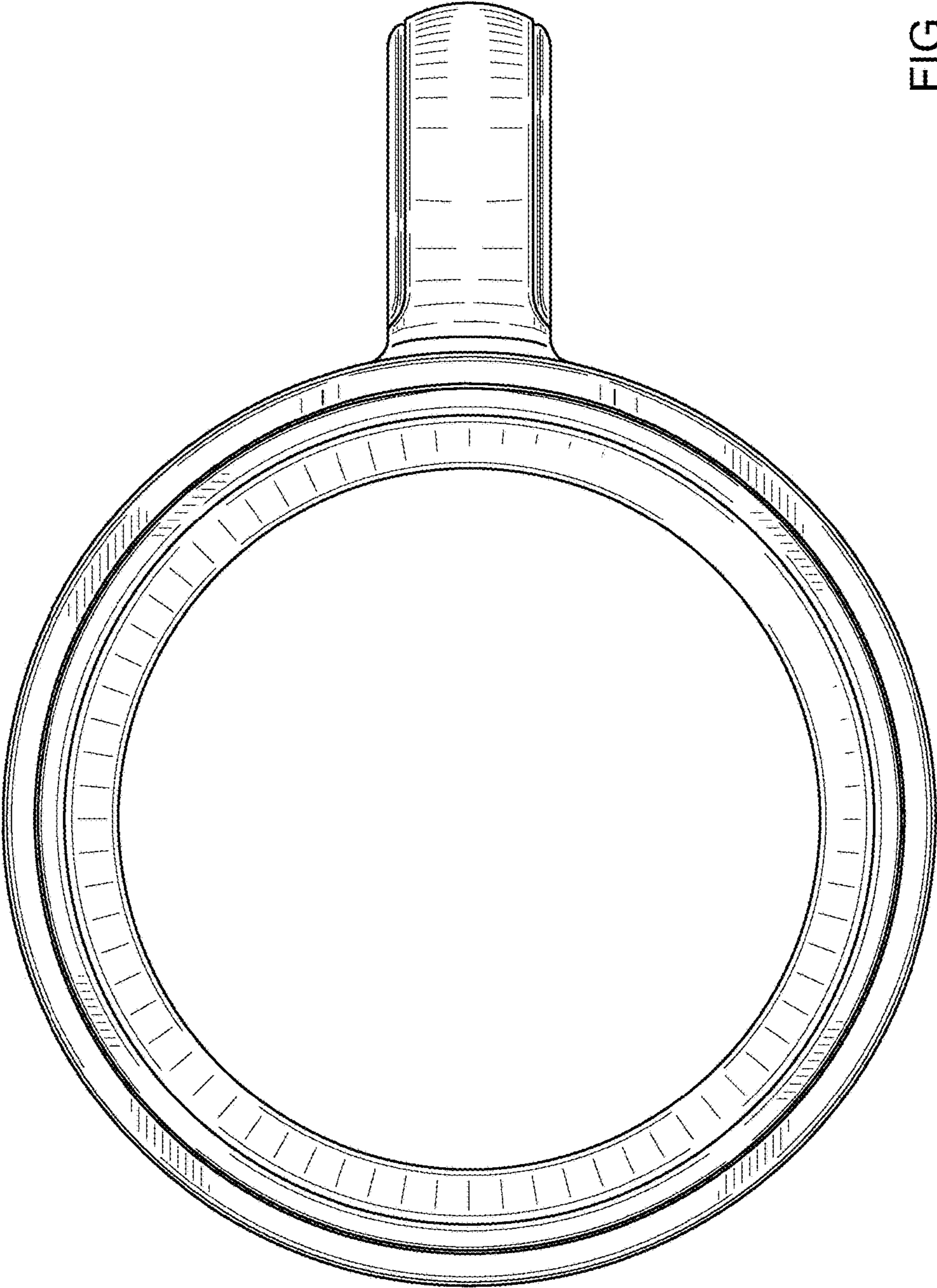


FIG. 6

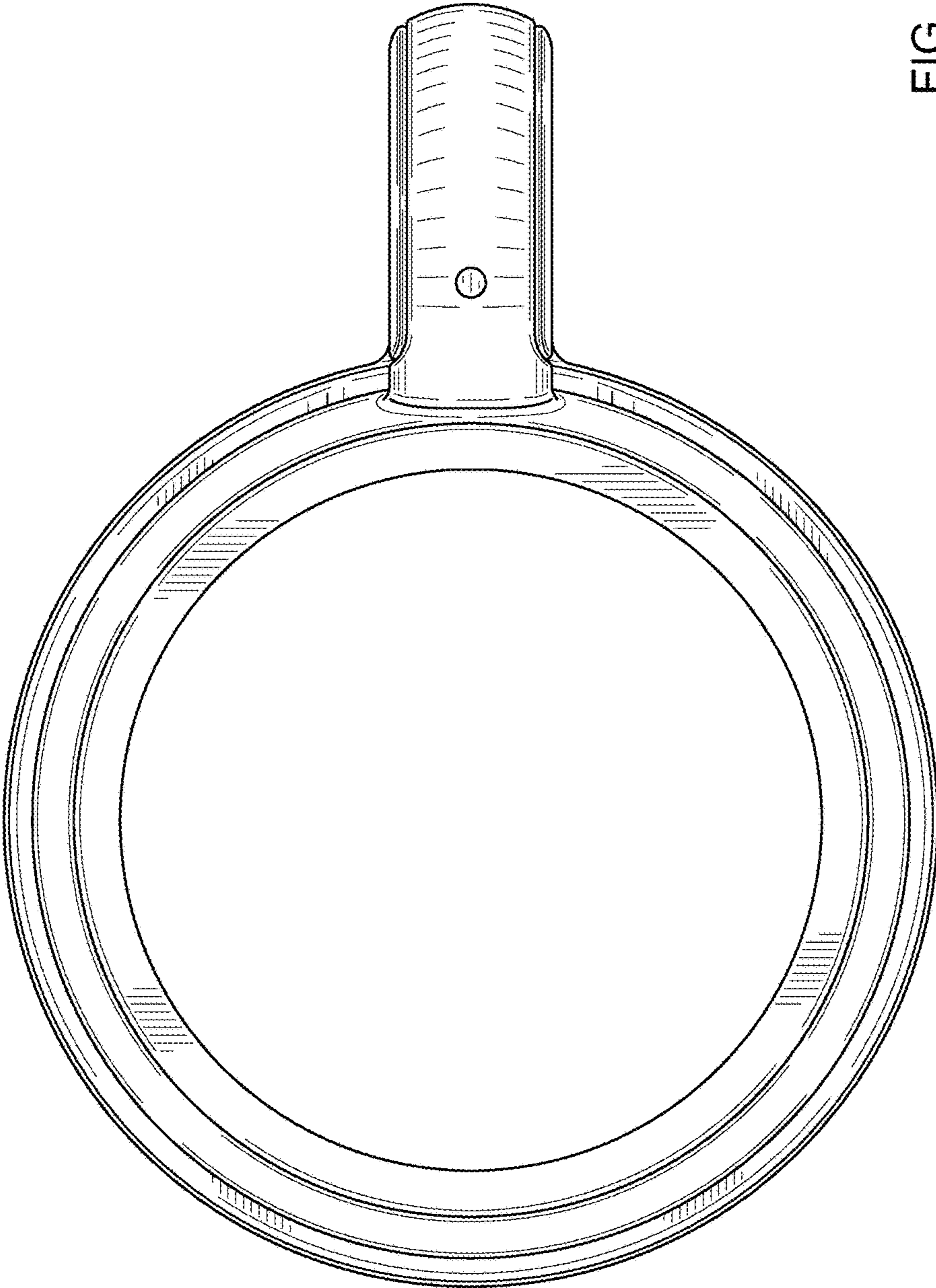


FIG. 7