



US00D799275S

(12) **United States Design Patent** (10) **Patent No.:** **US D799,275 S**
Thonis et al. (45) **Date of Patent:** **** Oct. 10, 2017**

(54) **VESSEL**
(71) Applicant: **Lenox Corporation**, Bristol, PA (US)
(72) Inventors: **Paul Thonis**, New Hope, PA (US);
Emily C. Matt, Haddonfield, NJ (US)
(73) Assignee: **LENOX CORPORATION**, Bristol, PA (US)
(**) Term: **15 Years**
(21) Appl. No.: **29/565,707**
(22) Filed: **May 24, 2016**

D202,643 S * 10/1965 Hoyt D7/536
D213,458 S * 3/1969 Gullotta D7/536
D221,168 S * 7/1971 Benes D7/318
D226,962 S 5/1973 Krock
D243,911 S 4/1977 Thorud
D243,962 S * 4/1977 Goto D27/157
4,058,338 A * 11/1977 Brown A47J 45/077
294/31.2
4,357,809 A * 11/1982 Held A47G 19/2288
215/12.2
D386,942 S 12/1997 McConnell
D386,946 S 12/1997 Novalle
D415,948 S 11/1999 Carsello
6,076,699 A * 6/2000 Seager A47G 19/22
215/396
D444,897 S 7/2001 Yuen
(Continued)

Related U.S. Application Data

(62) Division of application No. 29/517,232, filed on Feb. 11, 2015, now Pat. No. Des. 761,060, and a division of application No. 29/462,646, filed on Aug. 6, 2013, now Pat. No. Des. 724,375.
(51) **LOC (10) Cl.** **07-01**
(52) **U.S. Cl.**
USPC **D7/536; D7/533**
(58) **Field of Classification Search**
USPC D7/536, 319, 394, 393, 396.2, 533, 509, D7/523, 608, 619.1, 624.2; 220/771, 220/592.17, 710.5; 215/396, 398; 16/DIG. 19, DIG. 12, 419, 425, 430; D8/320, 319
CPC ... A47G 19/22; A47G 19/12; A47J 27/21041; B67D 23/19
See application file for complete search history.

References Cited

U.S. PATENT DOCUMENTS

D60,378 S * 2/1922 Sanford D7/319
D193,064 S * 6/1962 Jones D7/319
3,057,016 A * 10/1962 Schilling B29C 45/16
215/12.2

OTHER PUBLICATIONS

Paul Thonis, "Kobenstyle Timeline," Lenox Corporation, internal memo (pertinent portions), 2012, 4 pages.
(Continued)

Primary Examiner — Marianne Pandozzi

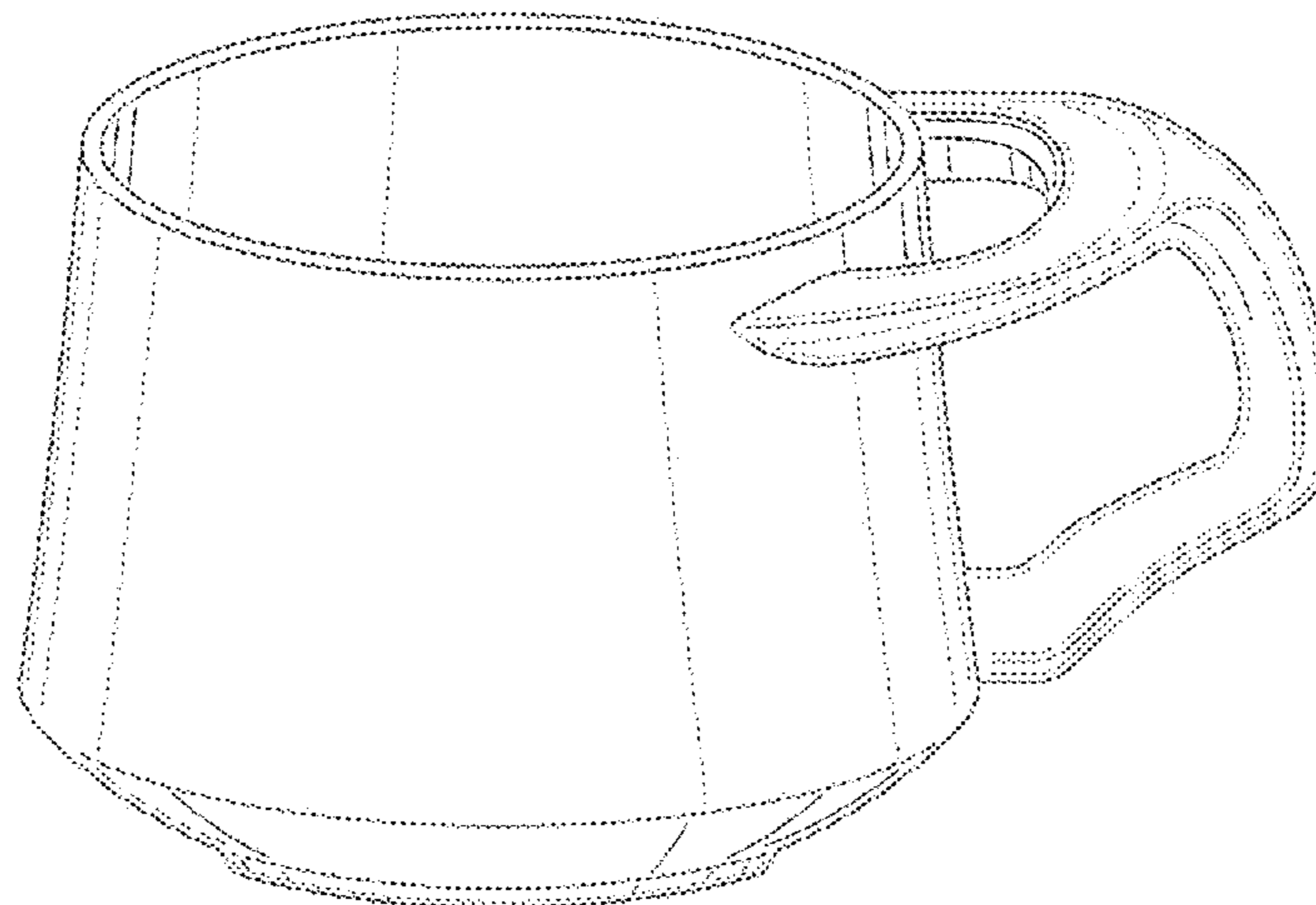
(57) **CLAIM**

We claim the ornamental design for a vessel, as shown and described.

DESCRIPTION

FIG. 1 is a top right side perspective view of a vessel showing our new design;
FIG. 2 is a right side elevational view thereof;
FIG. 3 is a left side elevational view thereof;
FIG. 4 is a front elevational view thereof;
FIG. 5 is a rear elevational view thereof;
FIG. 6 is a top elevational view thereof; and,
FIG. 7 is a bottom elevational view thereof.
The broken lines in the drawing depict portions of the vessel that form no part of the claimed design.

1 Claim, 7 Drawing Sheets



(56)

References Cited

U.S. PATENT DOCUMENTS

D476,528 S * 7/2003 Janky D7/510
D586,605 S * 2/2009 Ma D7/317
D586,606 S * 2/2009 Ma D7/317
D597,378 S 8/2009 Poindexter
D620,314 S * 7/2010 Dorsey D7/507
8,870,252 B2 10/2014 Pratho

OTHER PUBLICATIONS

Requirement for Restriction/Election, dated Sep. 23, 2014, in related Design U.S. Appl. No. 29/462,646.

Notice of Allowance, dated Nov. 13, 2014, in related Design U.S. Appl. No. 29/462,646.

Requirement for Restriction/Election, dated Nov. 5, 2015, in related Design U.S. Appl. No. 29/517,232.

Notice of Allowance, dated Dec. 16, 2015, in related Design U.S. Appl. No. 29/517,232.

Requirement for Restriction/Election, dated Feb. 3, 2016, in related Design U.S. Appl. No. 29/517,232.

Notice of Allowance, dated Mar. 9, 2016, in related Design U.S. Appl. No. 29/517,232.

* cited by examiner

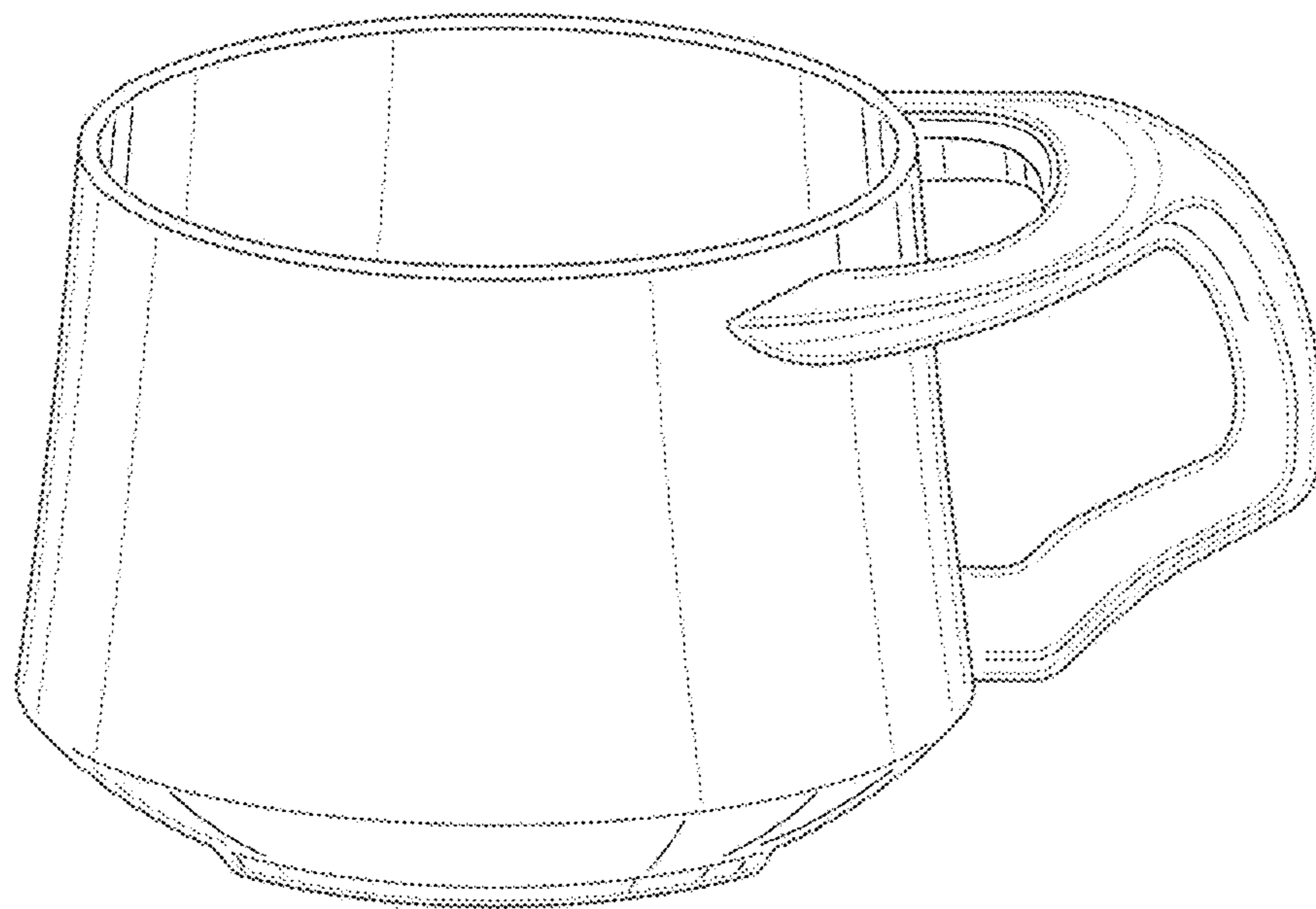


FIG. 1

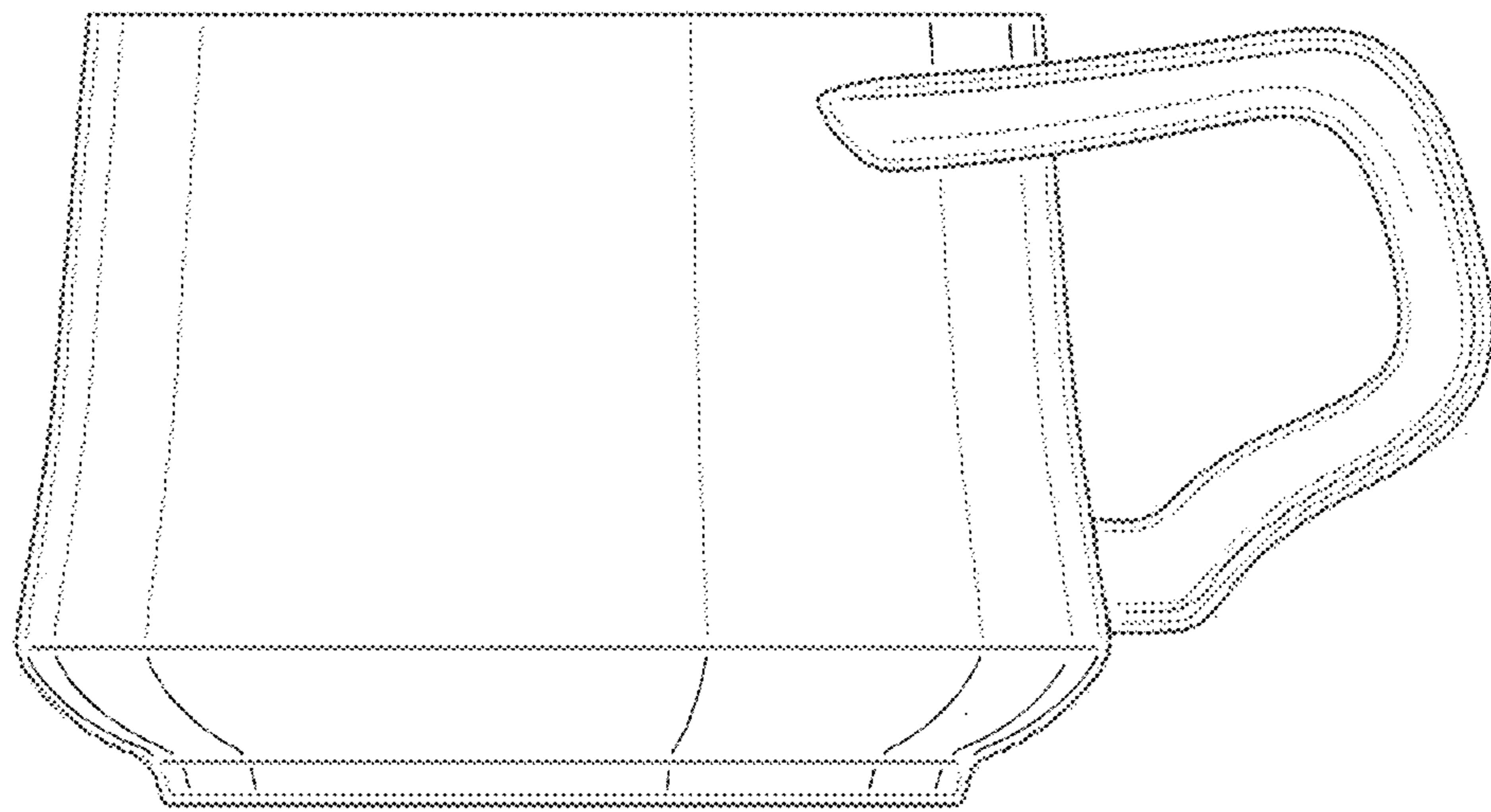


FIG. 2

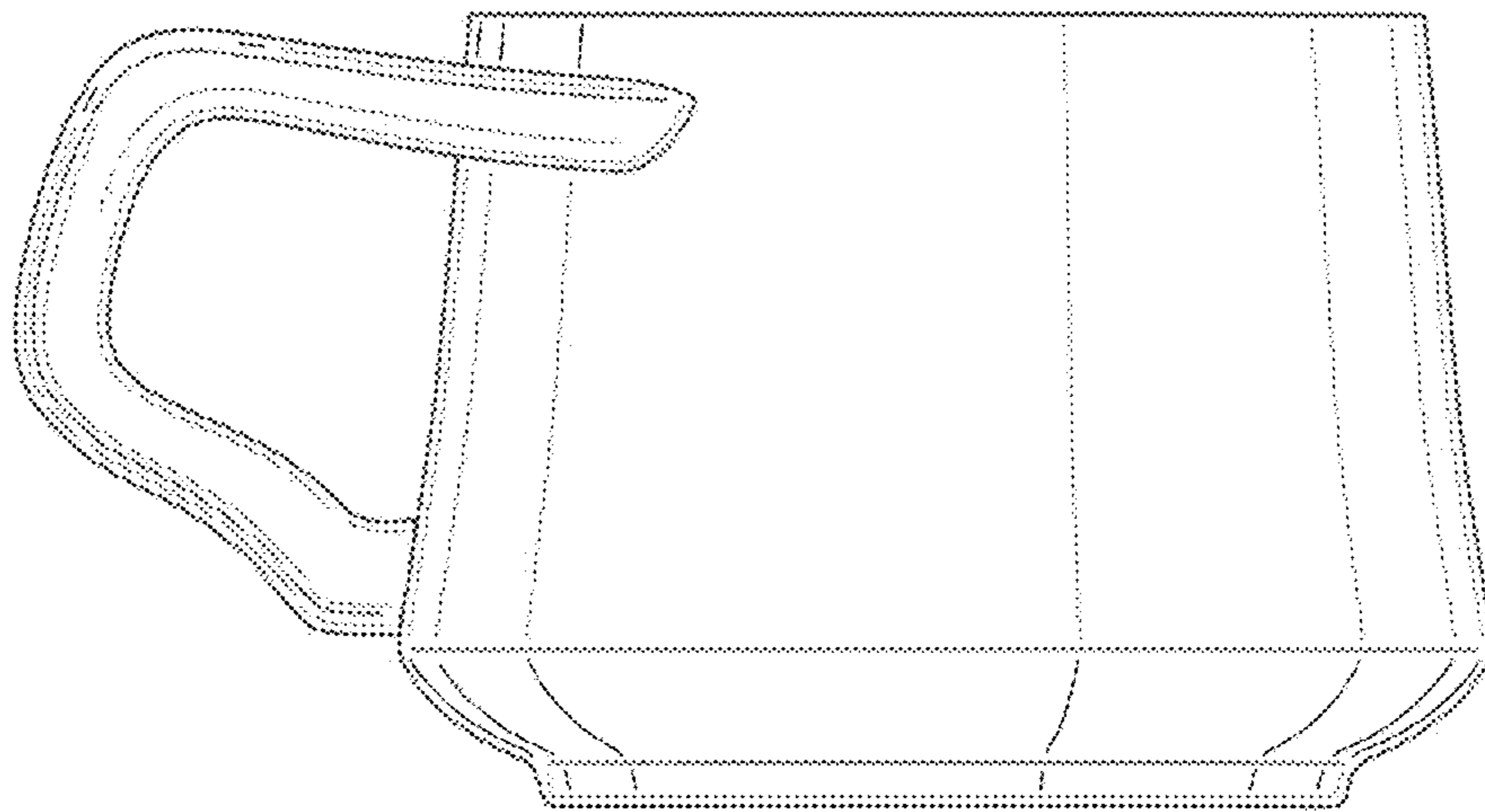


FIG. 3

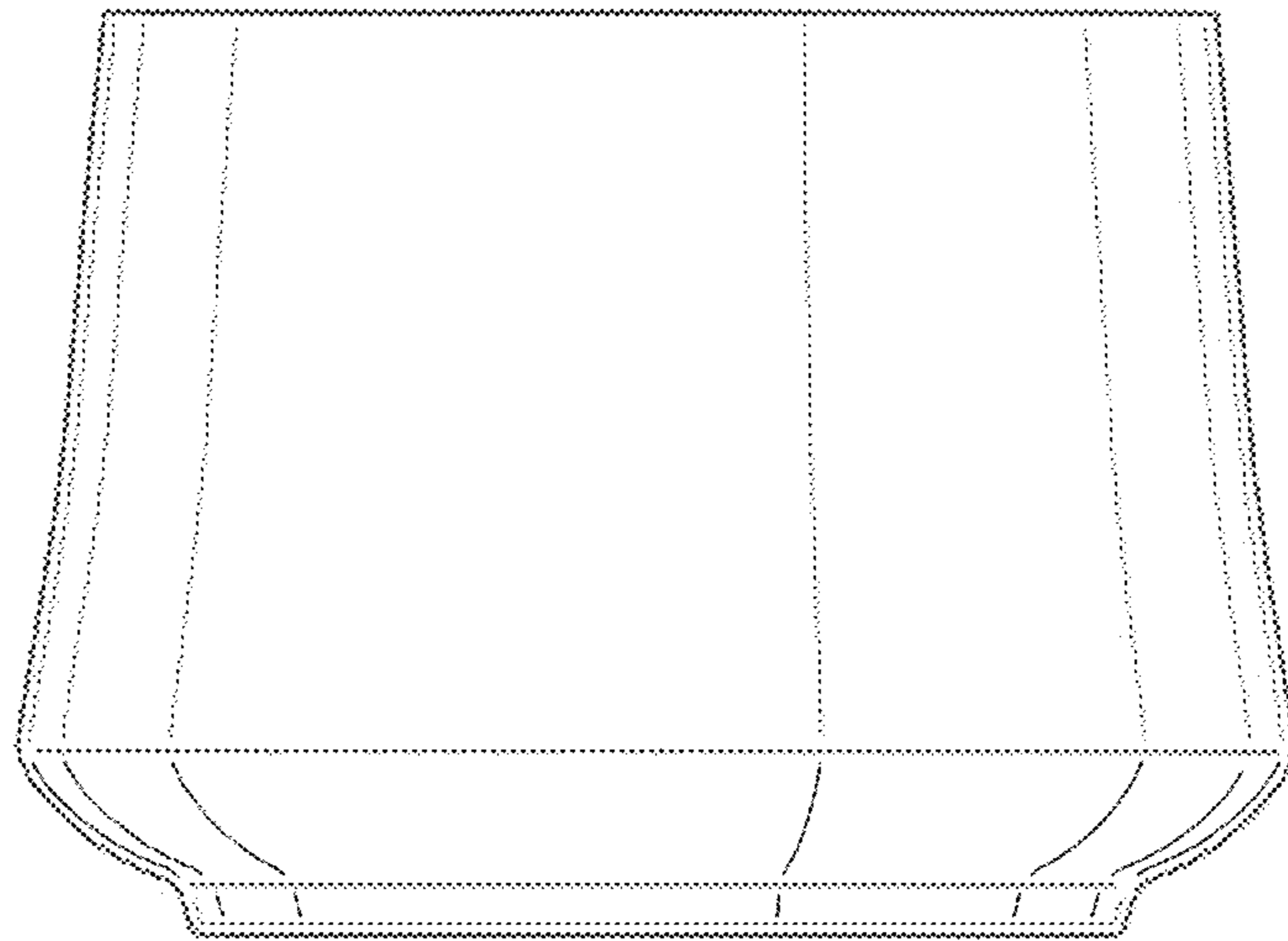


FIG. 4

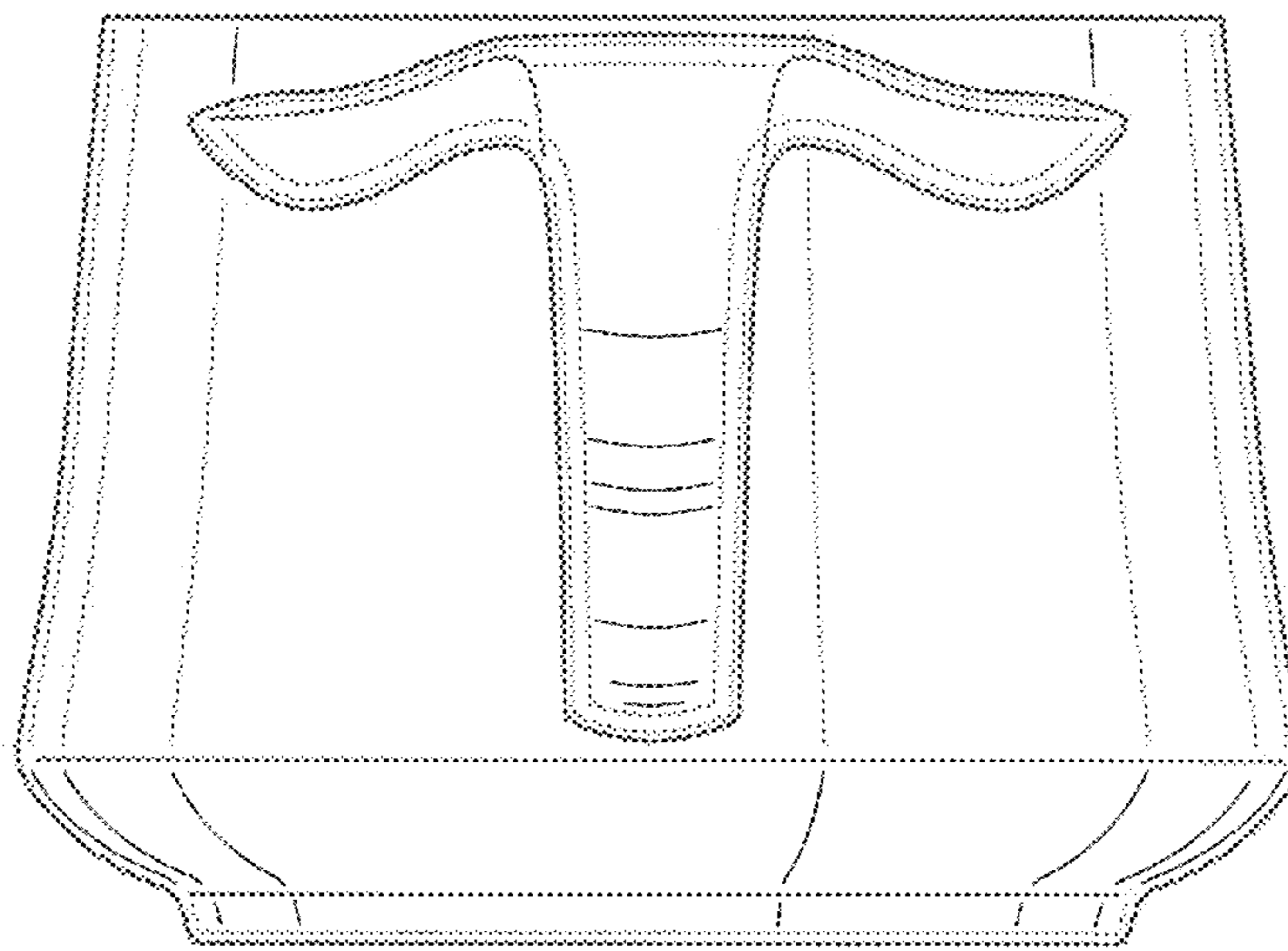


FIG. 5

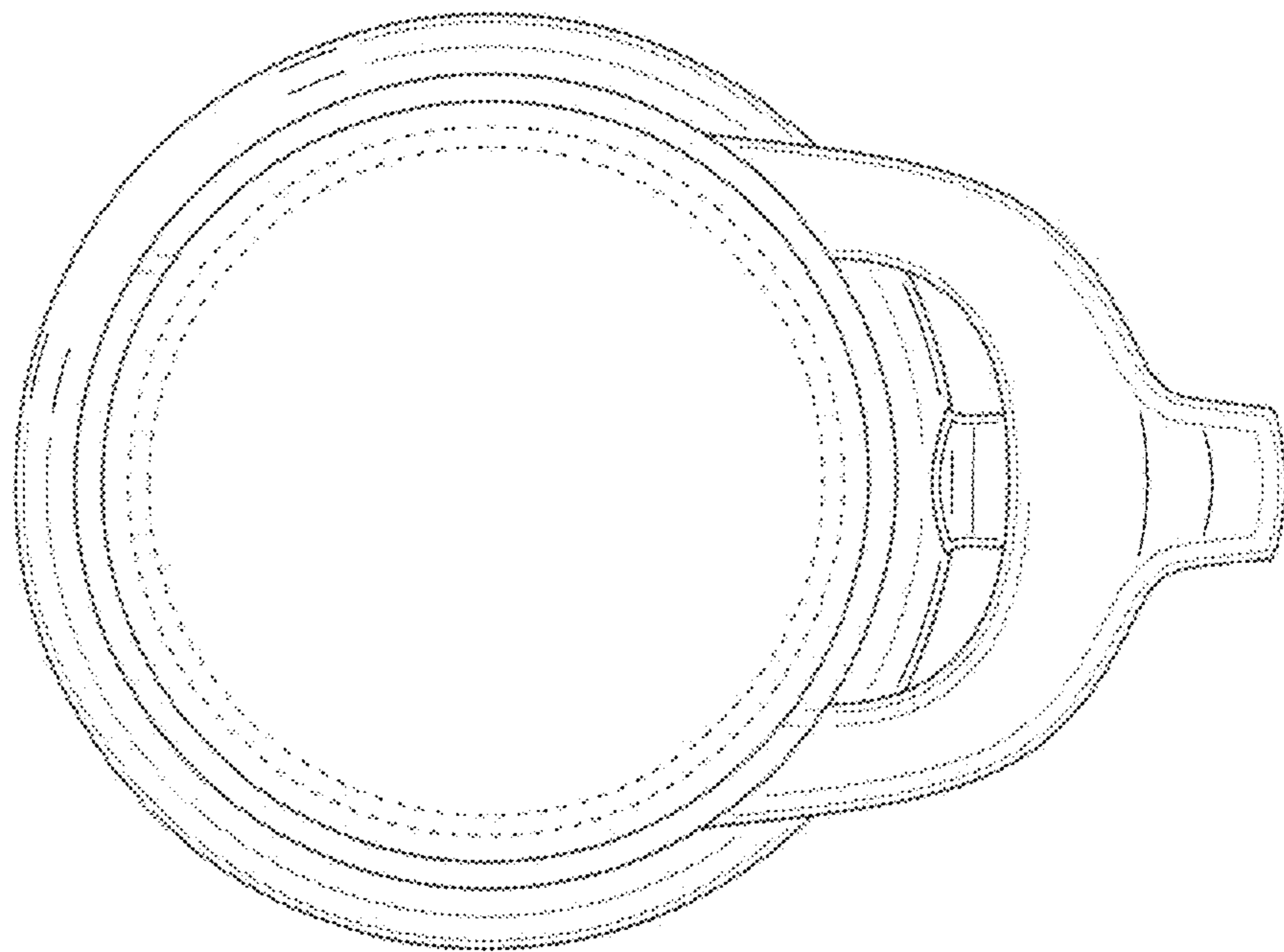


FIG. 6

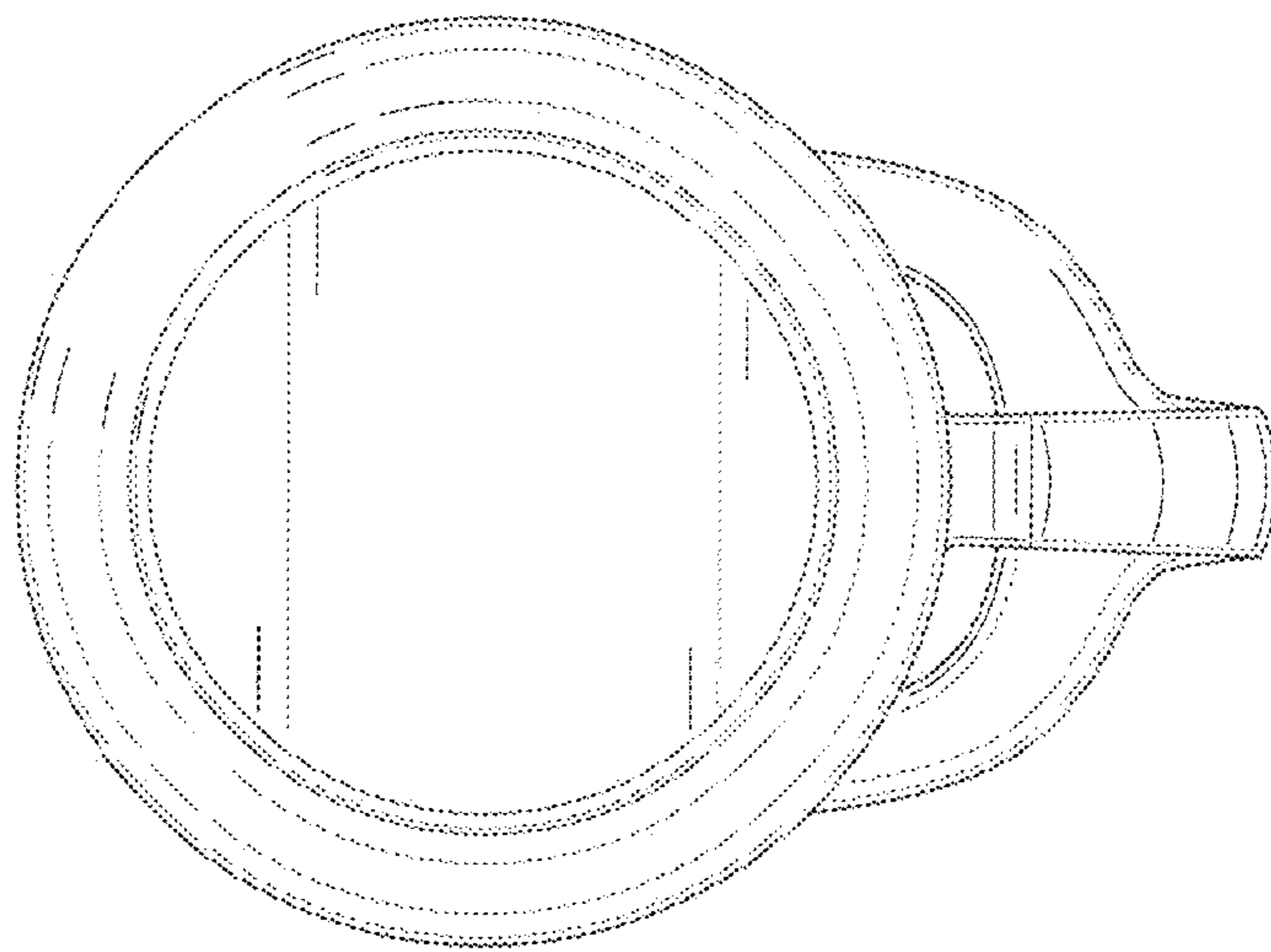


FIG. 7