



US00D799273S

(12) **United States Design Patent** (10) **Patent No.:** **US D799,273 S**
Wright et al. (45) **Date of Patent:** **** Oct. 10, 2017**

(54) **PISTOL-GRIP DRINKING GLASS**
(71) Applicant: **Wright Brothers, Inc.**, San Diego, CA (US)
(72) Inventors: **Casey Wright**, San Diego, CA (US); **Corey Wright**, Rancho Mission Viejo, CA (US)
(**) Term: **15 Years**
(21) Appl. No.: **29/608,247**
(22) Filed: **Jun. 20, 2017**
(51) **LOC (10) Cl.** **07-01**
(52) **U.S. Cl.**
USPC **D7/515; D7/536**
(58) **Field of Classification Search**
USPC D7/515, 514, 533, 536, 608, 606; 215/236; D22/104
CPC F41A 17/22; A47G 23/0233; A47G 23/02
See application file for complete search history.

D516,661 S * 3/2006 McGarry D22/104
D584,374 S * 1/2009 McGarry D22/104
D617,147 S * 6/2010 White D22/104
8,257,134 B2 * 9/2012 Zuloff A63F 5/04
124/37
D685,226 S * 7/2013 Aylward D7/515
D697,765 S * 1/2014 Wampold D7/606
D719,783 S * 12/2014 Eubank D7/515
D719,784 S * 12/2014 Eubank D7/515
D721,541 S 1/2015 Evans
D740,608 S 10/2015 Apel
D750,435 S * 3/2016 Hebert D7/515
D755,014 S 5/2016 Hebert
D763,623 S * 8/2016 Eubank D7/515
D792,159 S * 7/2017 Gibson D7/511
2006/0175347 A1 * 8/2006 McNulty, Jr. F41B 9/00
222/79

(Continued)

Primary Examiner — Marianne Pandozzi
(74) *Attorney, Agent, or Firm* — Michael J. Sullivan

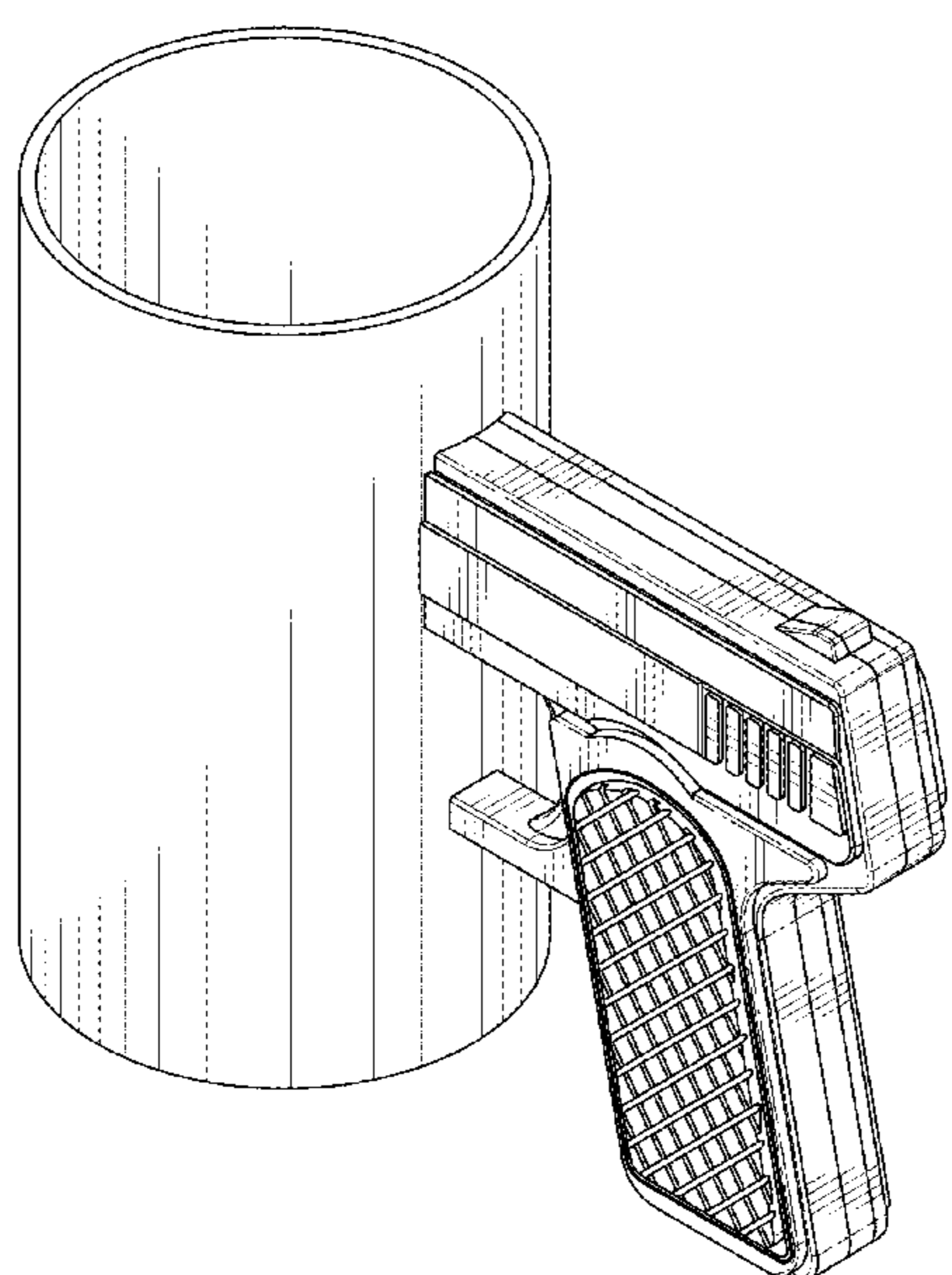
(57) **CLAIM**
The ornamental design for a pistol-grip drinking glass, as shown and described.

(56) **References Cited**
U.S. PATENT DOCUMENTS
D18,718 S 11/1888 Bloomingdale
2,224,672 A * 12/1940 Davis A47J 31/053
215/396
2,424,045 A * 7/1947 Millstein B65D 25/00
16/111.1
D171,287 S 1/1954 Alvarez
2,749,727 A * 6/1956 Fabro A47G 23/0233
215/236
D207,408 S * 4/1967 Levin D7/515
D303,195 S * 9/1989 Devine D7/515
D387,841 S * 12/1997 Hochstrate D22/100
5,787,628 A * 8/1998 Teetzal F41H 9/10
222/79
D405,317 S * 2/1999 Ehrlich D7/515
D464,702 S * 10/2002 Mauch D22/104
D505,298 S * 5/2005 Holt D7/515

DESCRIPTION

FIG. 1 is a perspective view of the pistol-grip drinking glass; FIG. 2 is a front view thereof; FIG. 3 is a back view thereof; FIG. 4 is a left-side view thereof; FIG. 5 is a right-side view thereof; FIG. 6 is a top view thereof; FIG. 7 is a bottom view thereof; and, FIG. 8 is an additional perspective view thereof. Shade lines of varying lengths are used in the figures. Each shade line is a solid line terminating with a white space followed by a dot or a short dash. The shade lines are only for the illustrative purpose of showing shading and form no part of the claimed design.

1 Claim, 8 Drawing Sheets



(56)

References Cited

U.S. PATENT DOCUMENTS

2010/0287807 A1* 11/2010 Do Amarante F41A 17/066
42/70.06
2012/0137559 A1* 6/2012 Burns, III F41A 17/54
42/70.06

* cited by examiner

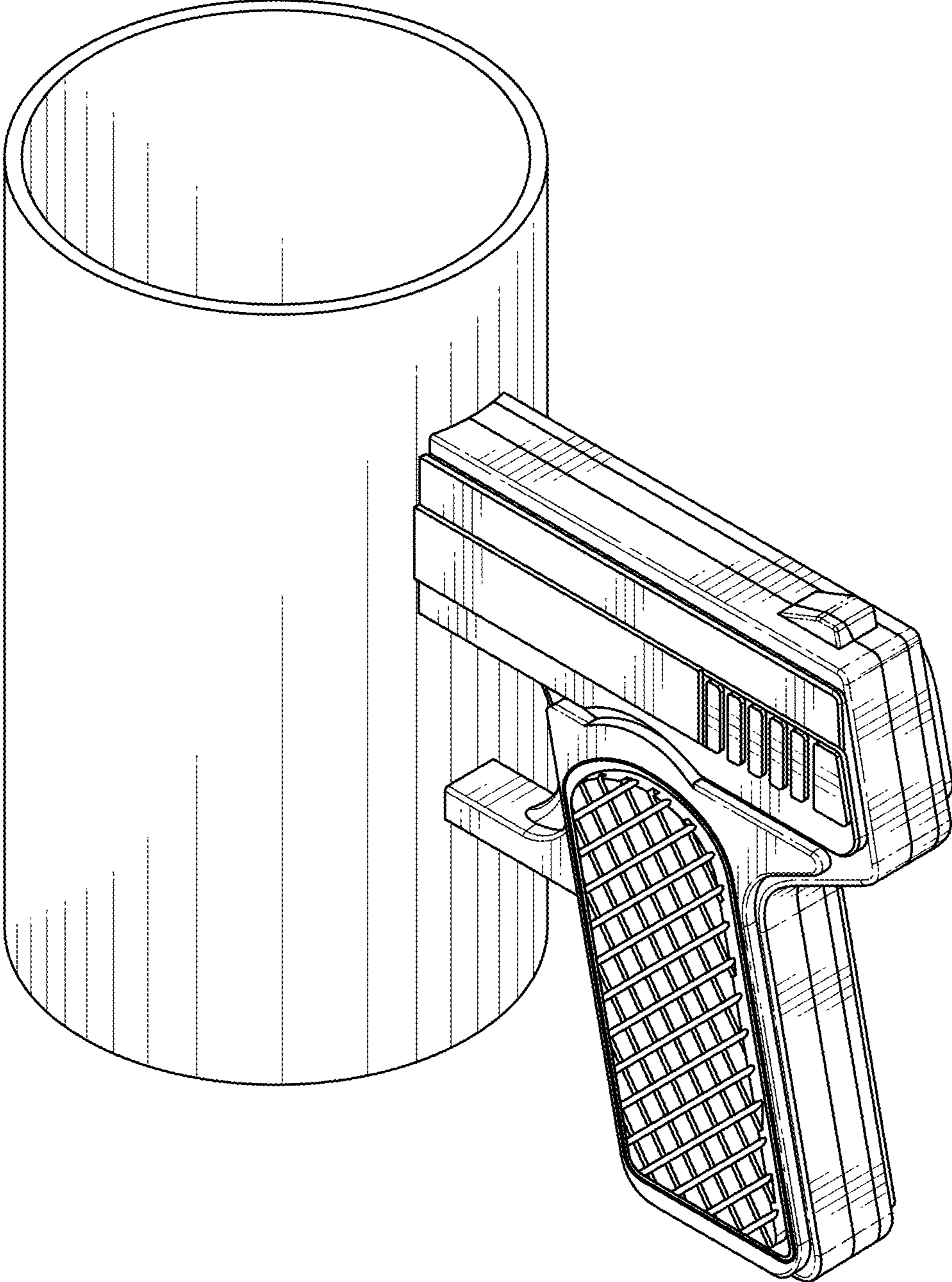


FIG. 1

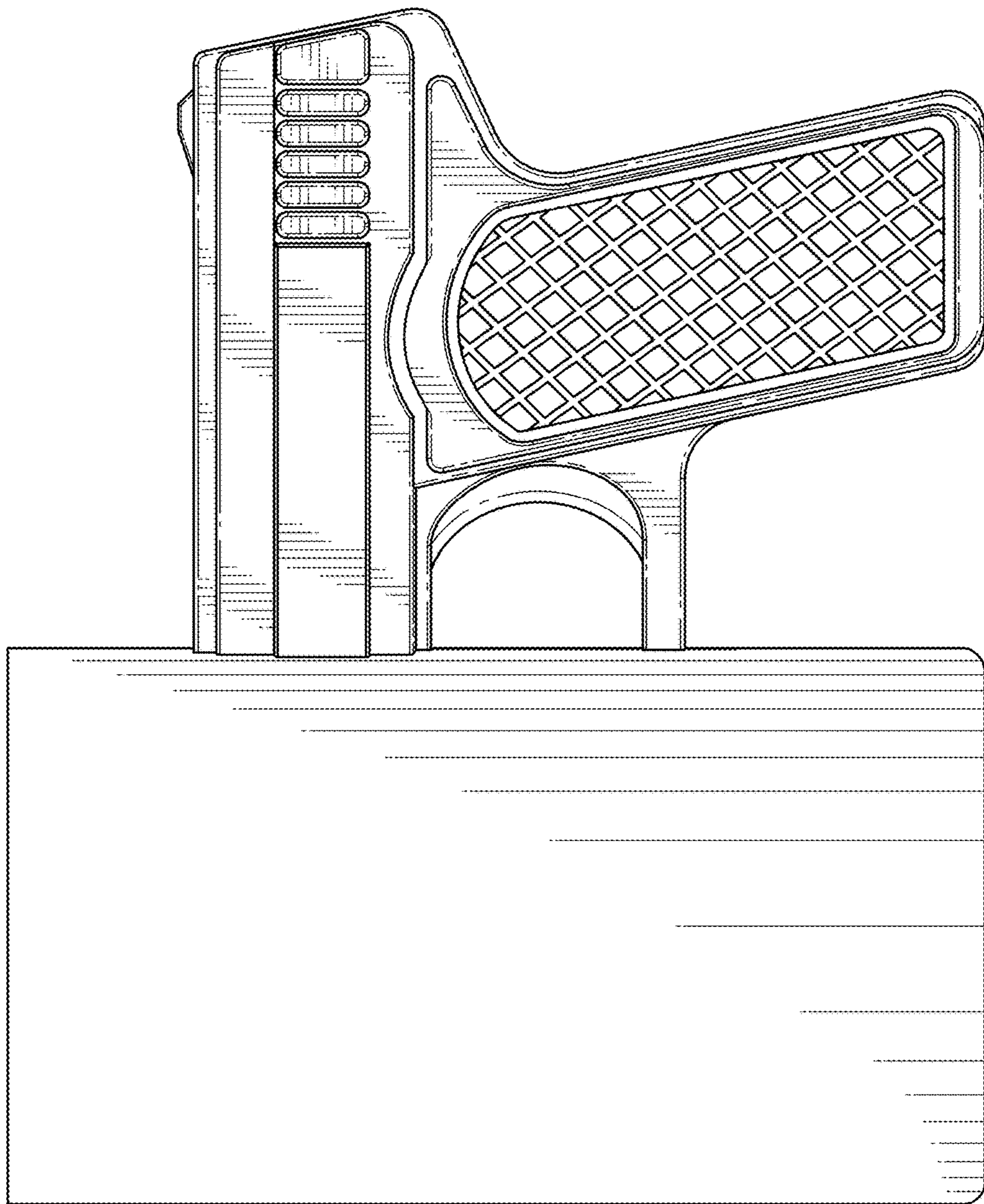


FIG. 2

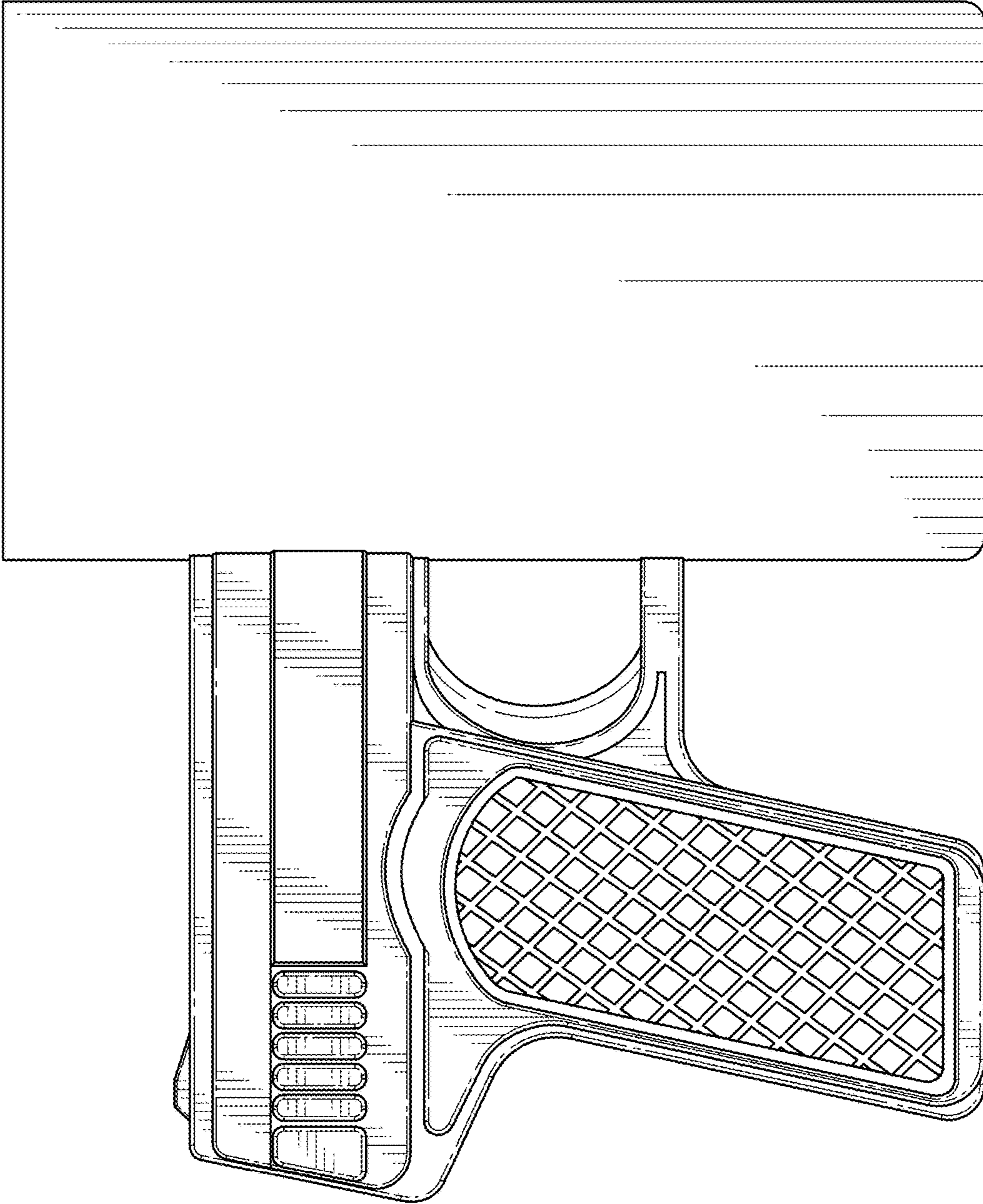


FIG. 3

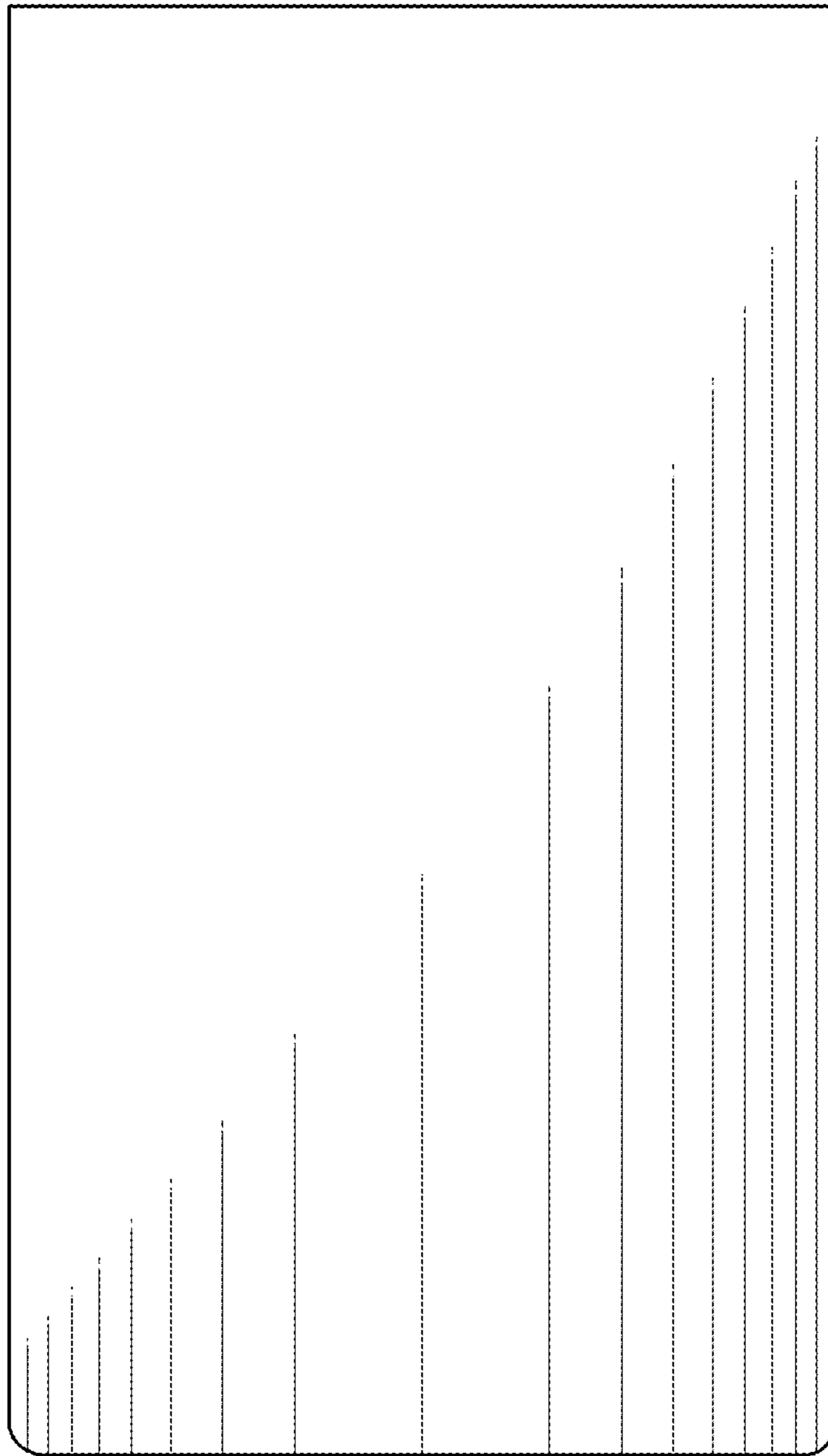


FIG. 4

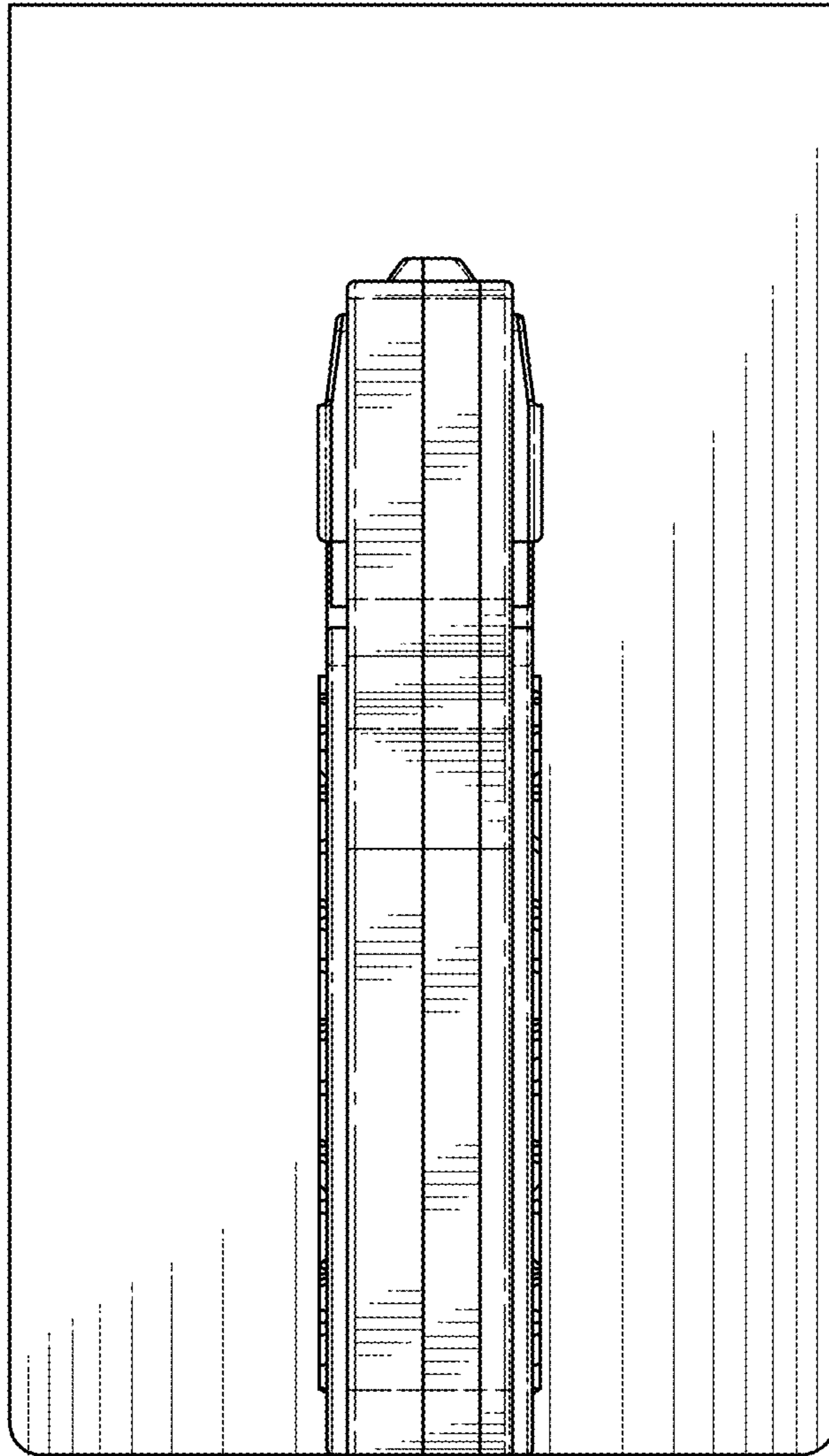


FIG. 5

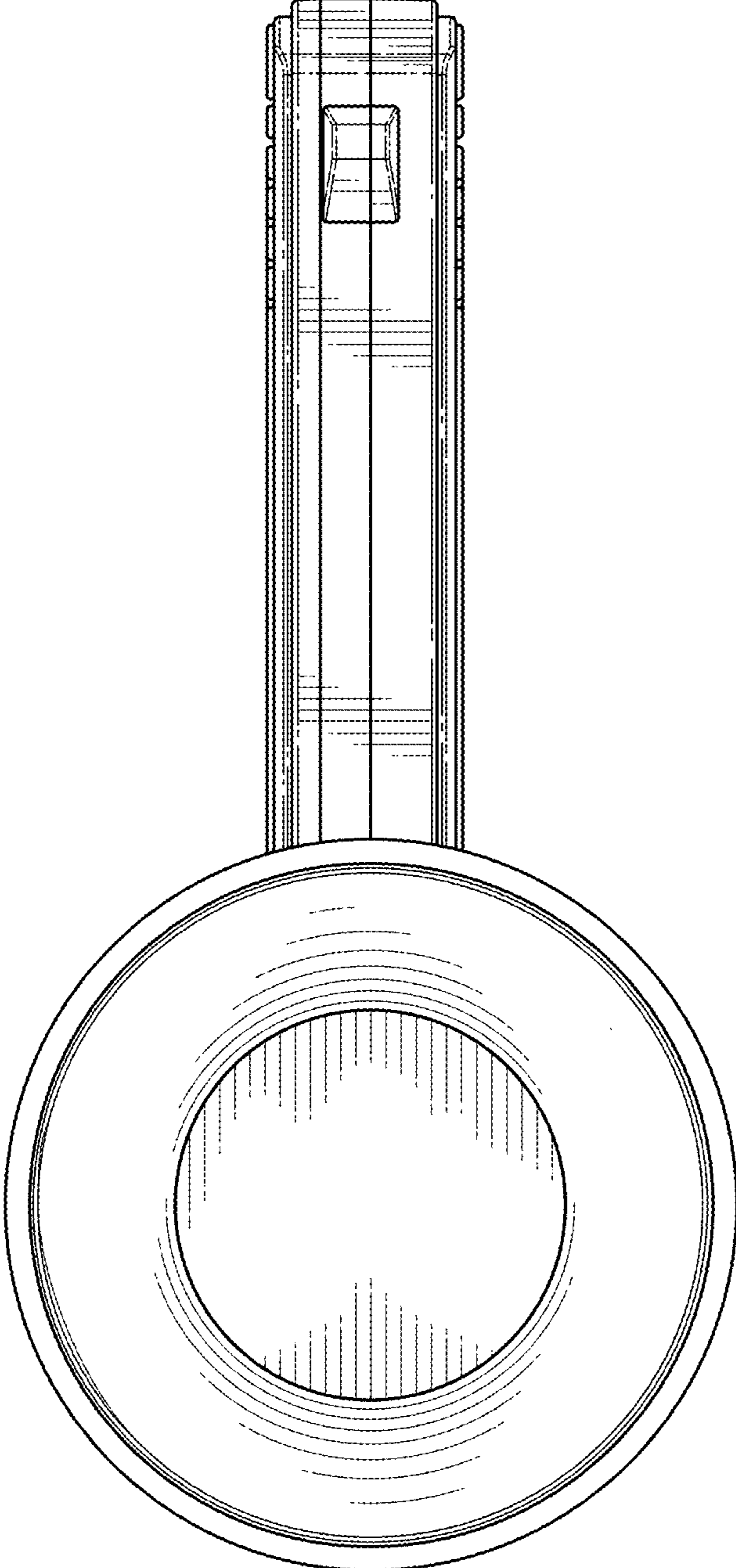


FIG. 6

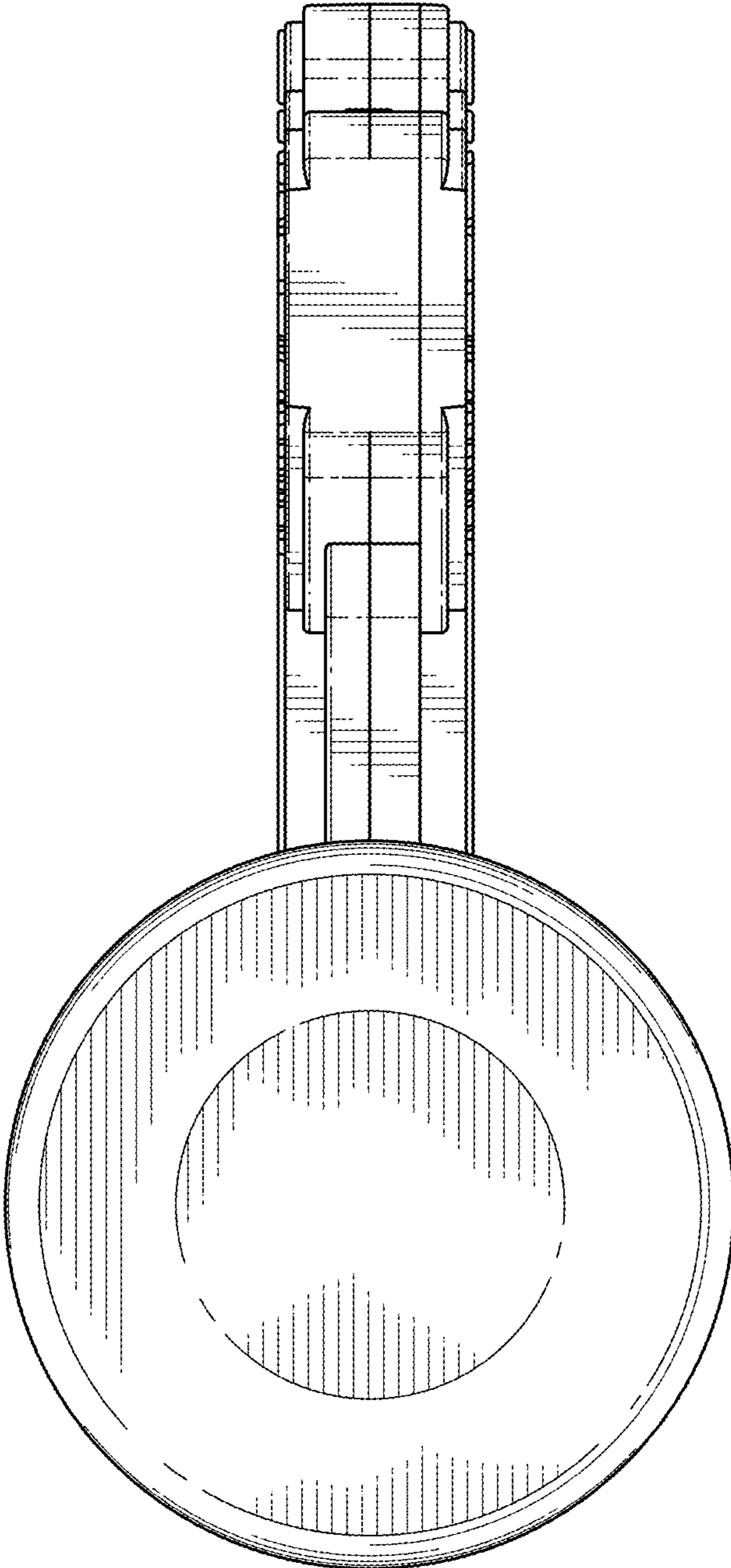


FIG. 7

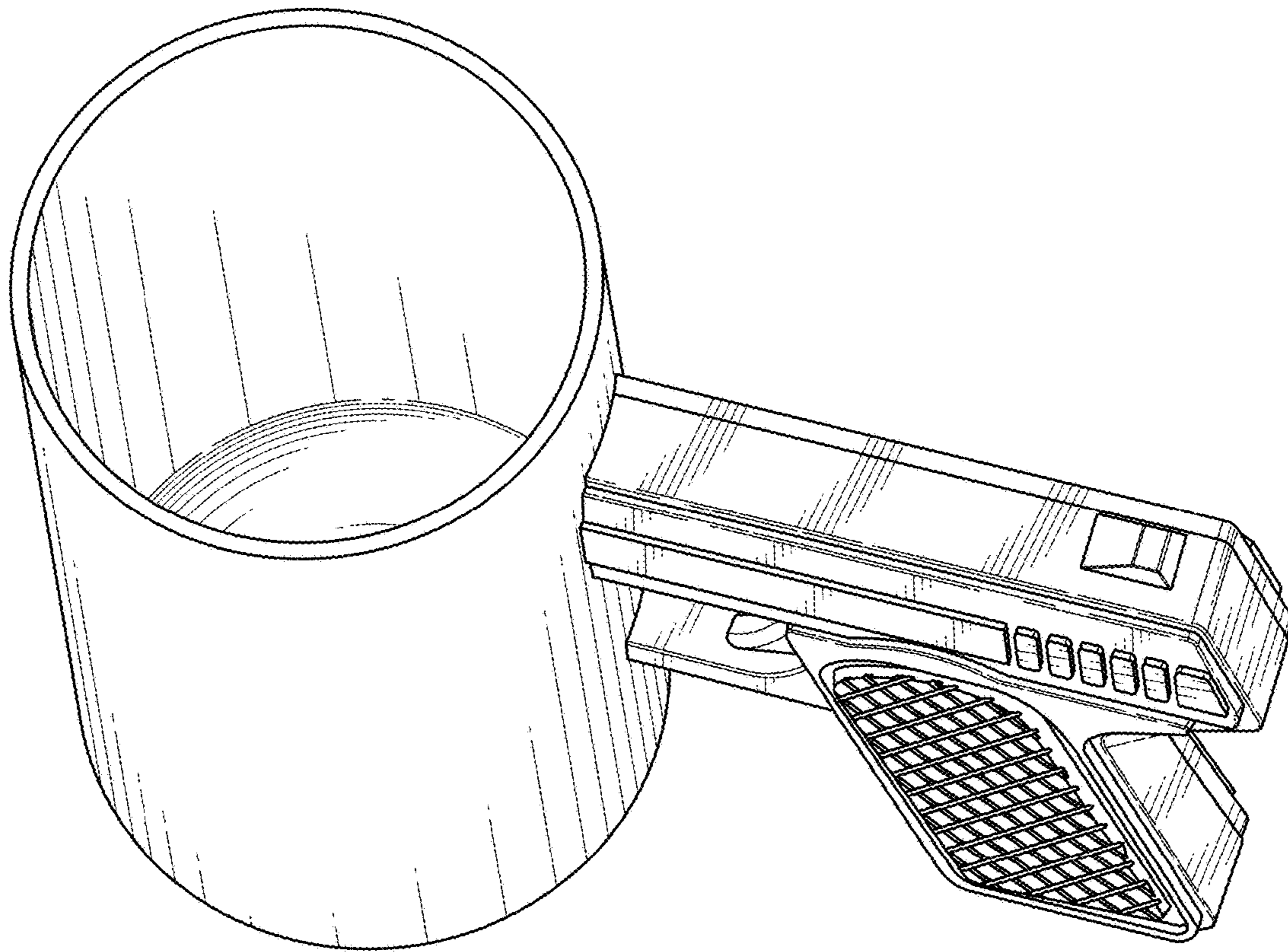


FIG. 8