



US00D799272S

(12) **United States Design Patent** (10) **Patent No.:** **US D799,272 S**
Pisarevsky (45) **Date of Patent:** **** *Oct. 10, 2017**

- (54) **DRINKING CAN**
- (71) Applicant: **Arie Pisarevsky**, Montreal (CA)
- (72) Inventor: **Arie Pisarevsky**, Montreal (CA)
- (*) Notice: This patent is subject to a terminal disclaimer.
- (**) Term: **14 Years**
- (21) Appl. No.: **29/479,376**
- (22) Filed: **Jan. 15, 2014**
- (51) **LOC (10) Cl.** **07-01**
- (52) **U.S. Cl.**
USPC **D7/511**
- (58) **Field of Classification Search**
USPC D7/300, 300.2, 302, 305, 321, 396.1,
D7/396.2, 500, 507, 509, 510, 511, 523,
D7/524, 528, 532, 538, 543, 546, 601,
D7/602, 608, 619.1, 622, 629, 630, 635;
D9/434, 435, 436, 500, 502, 503, 738,
D9/740, 745, 763, 767, 772, 773, 775,
D9/778, 779, 780; 215/382, 387, 388;
220/288, 592.16, 592.17, 703, 705, 708,
220/709, 713, 715, 718, 780, 781, 782
See application file for complete search history.

(56) **References Cited**
U.S. PATENT DOCUMENTS

D640,094 S * 6/2011 Carlson et al. D7/510
D651,526 S * 1/2012 Hu et al. D9/773

D658,078 S * 4/2012 Hu et al. D9/773
D683,247 S * 5/2013 Baker et al. D9/773

* cited by examiner

Primary Examiner — Susan Bennett Hattan
Assistant Examiner — Leanne Was-Englehart
(74) *Attorney, Agent, or Firm* — Yagod Morris & Associates

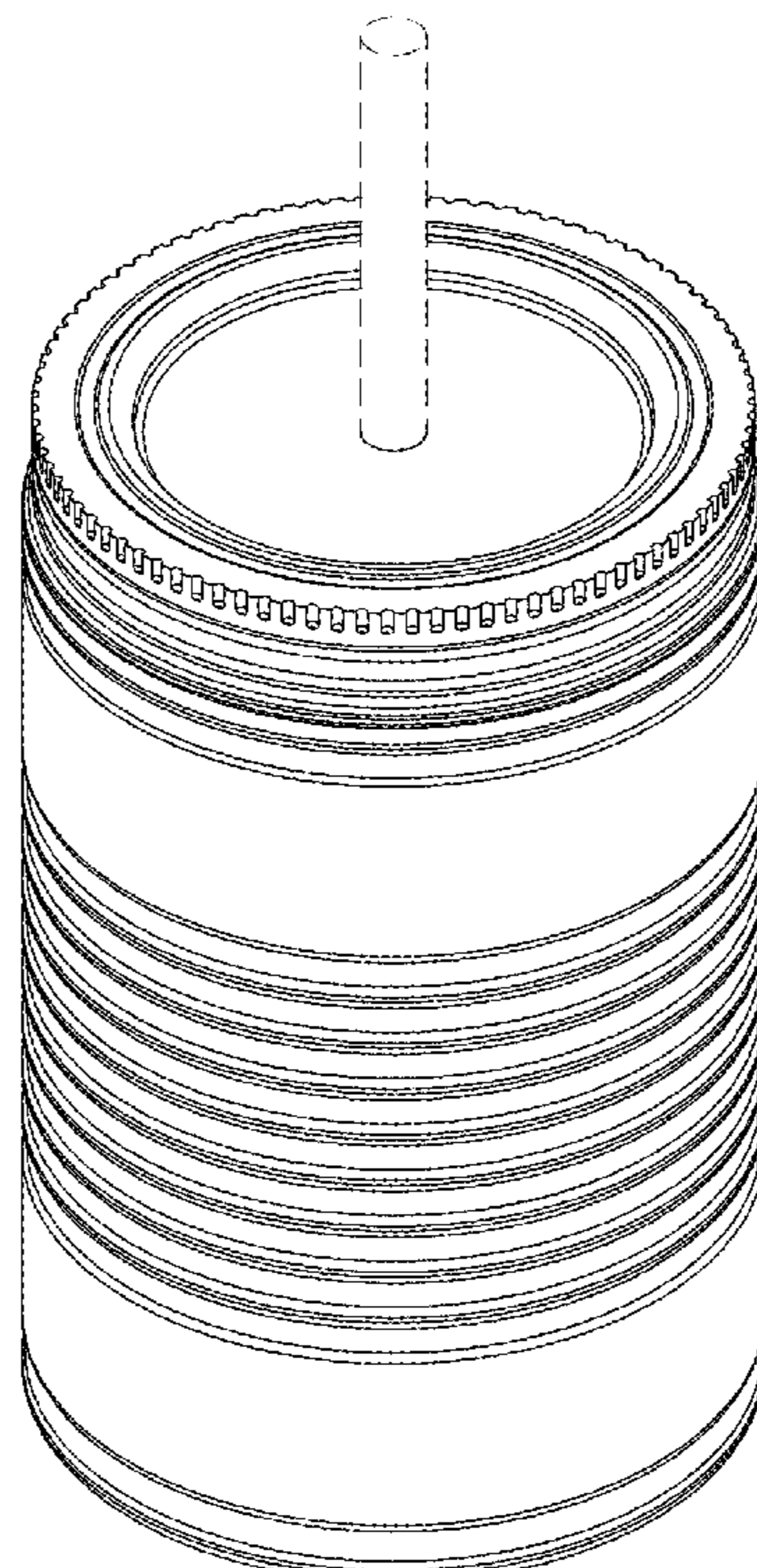
(57) **CLAIM**

The ornamental design for a drinking can, as shown and described.

DESCRIPTION

FIG. 1 is a perspective view of the drinking can of the present invention;
FIG. 2 is an exploded perspective view of the present invention;
FIG. 3 is a side view of the present invention;
FIG. 4 is a top plan view of the present invention;
FIG. 5 is a bottom plan view of the present invention; and,
FIG. 6 is a cross section of the drinking can of the present invention, taken along line 6-6 in FIG. 3.
Any broken lines depict unclaimed portions of the drinking can only and form no part of the claimed design.

1 Claim, 6 Drawing Sheets



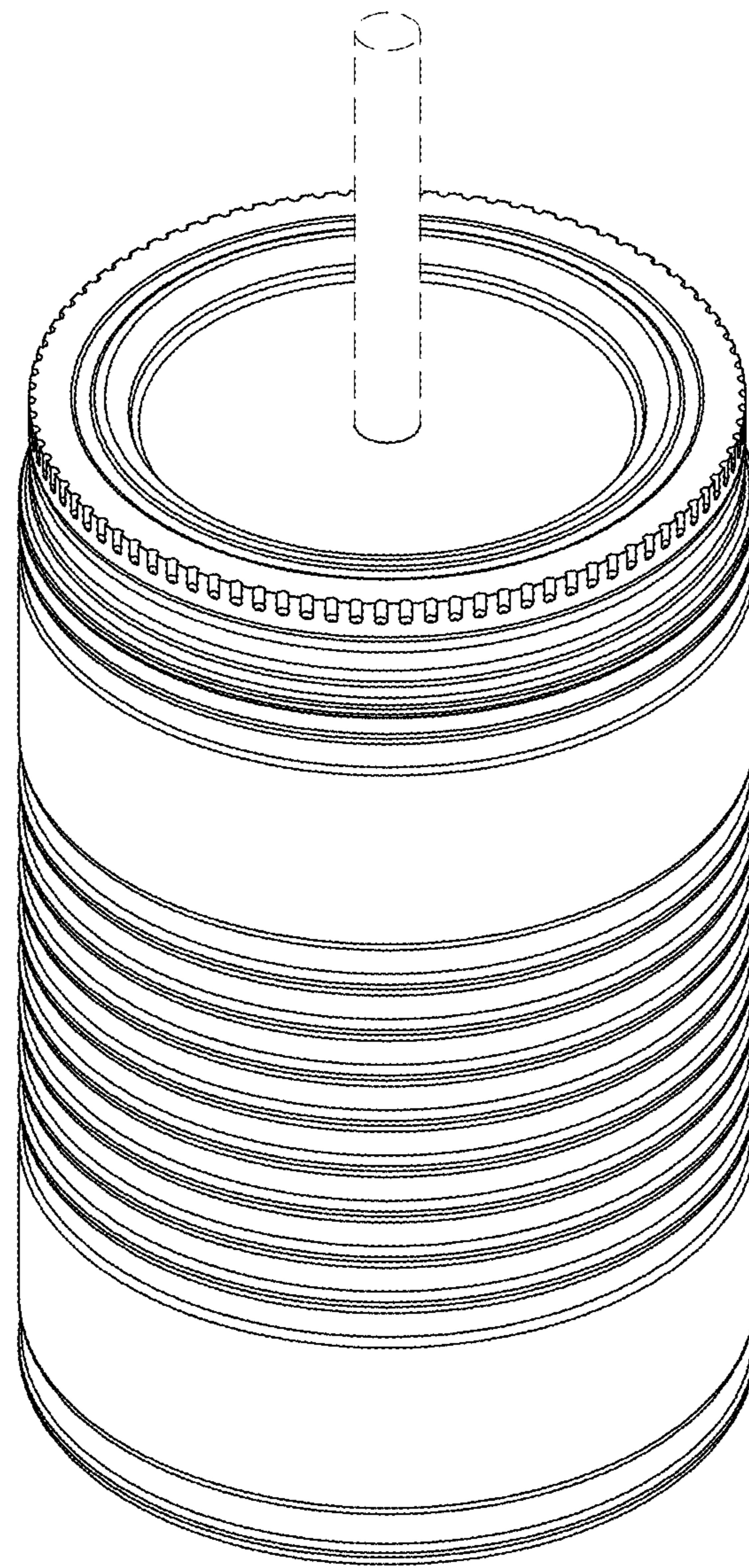


FIG.1

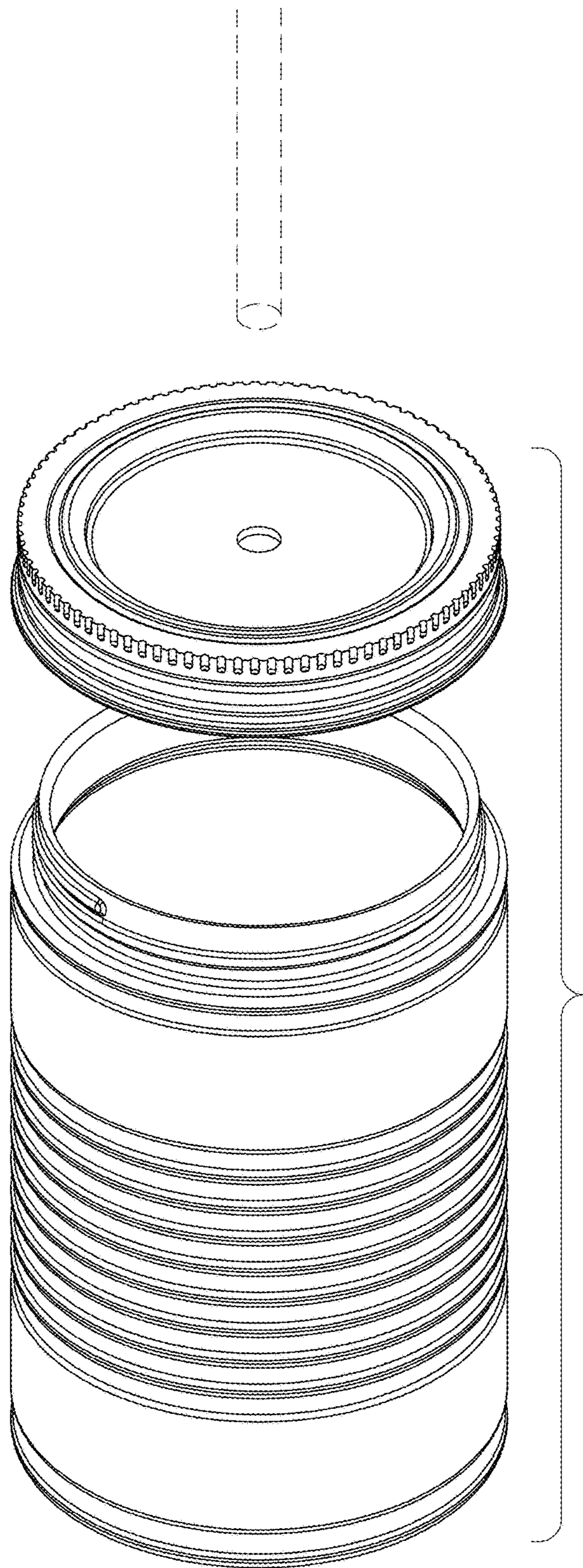


FIG.2

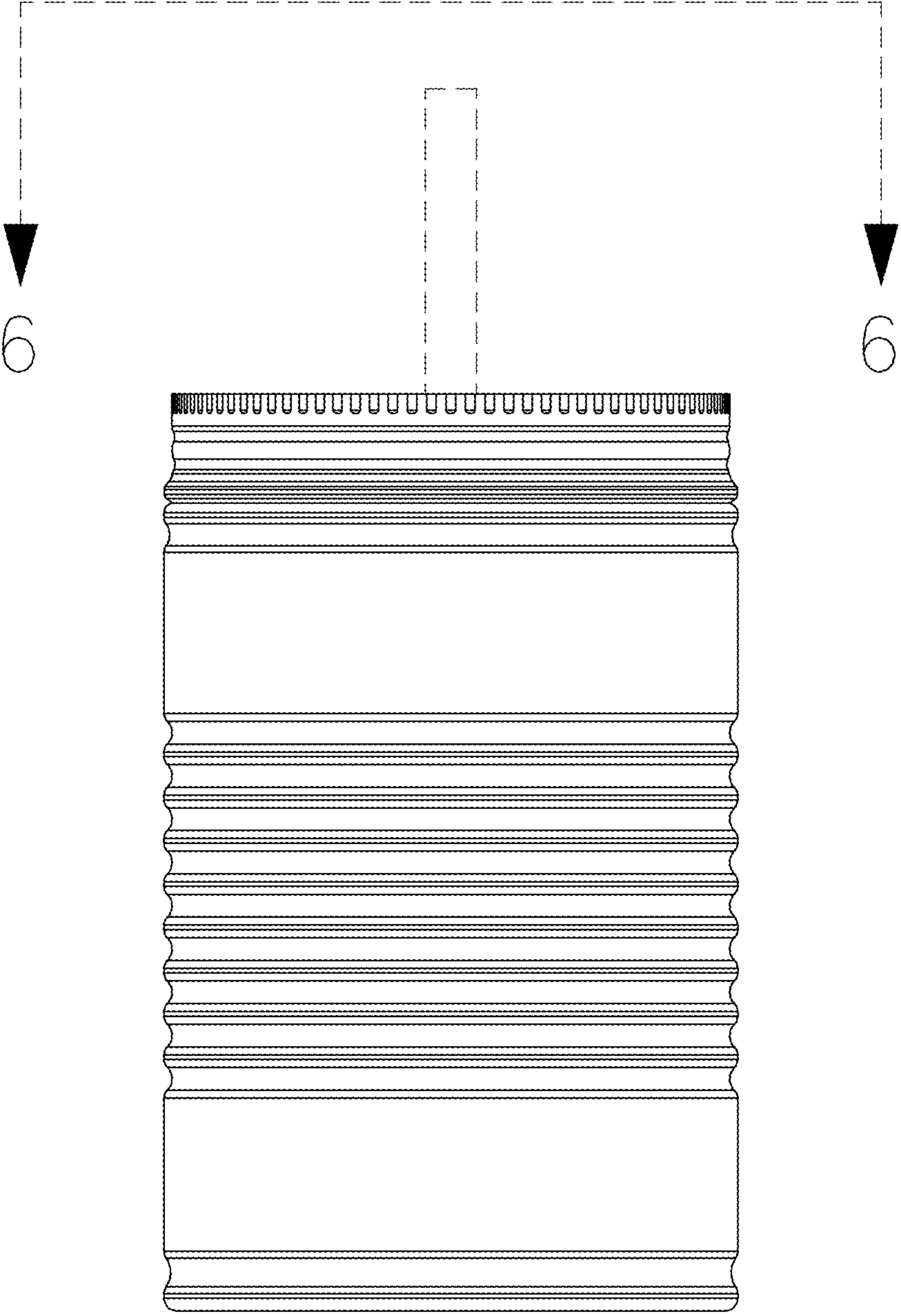


FIG. 3

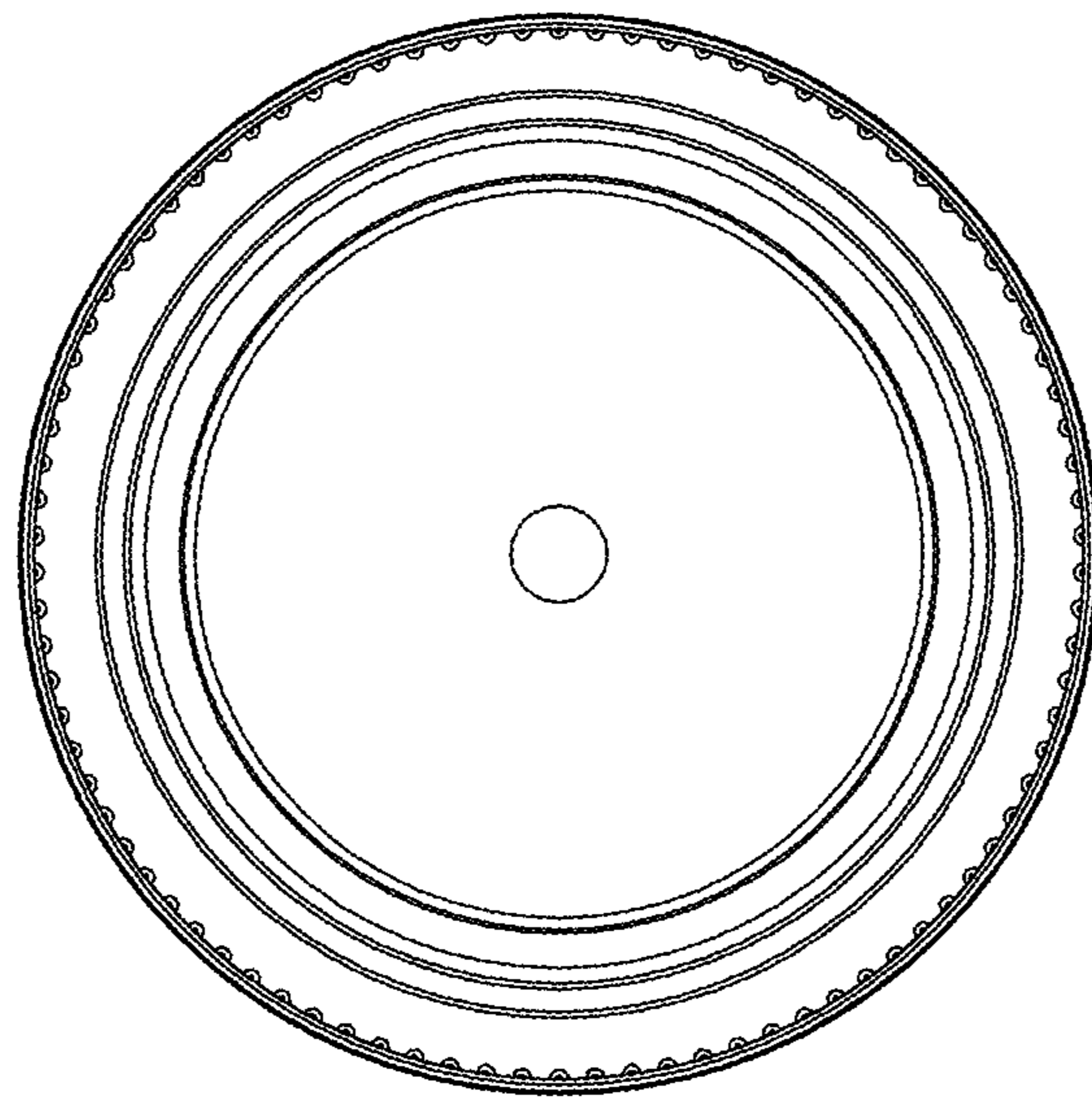


FIG.4

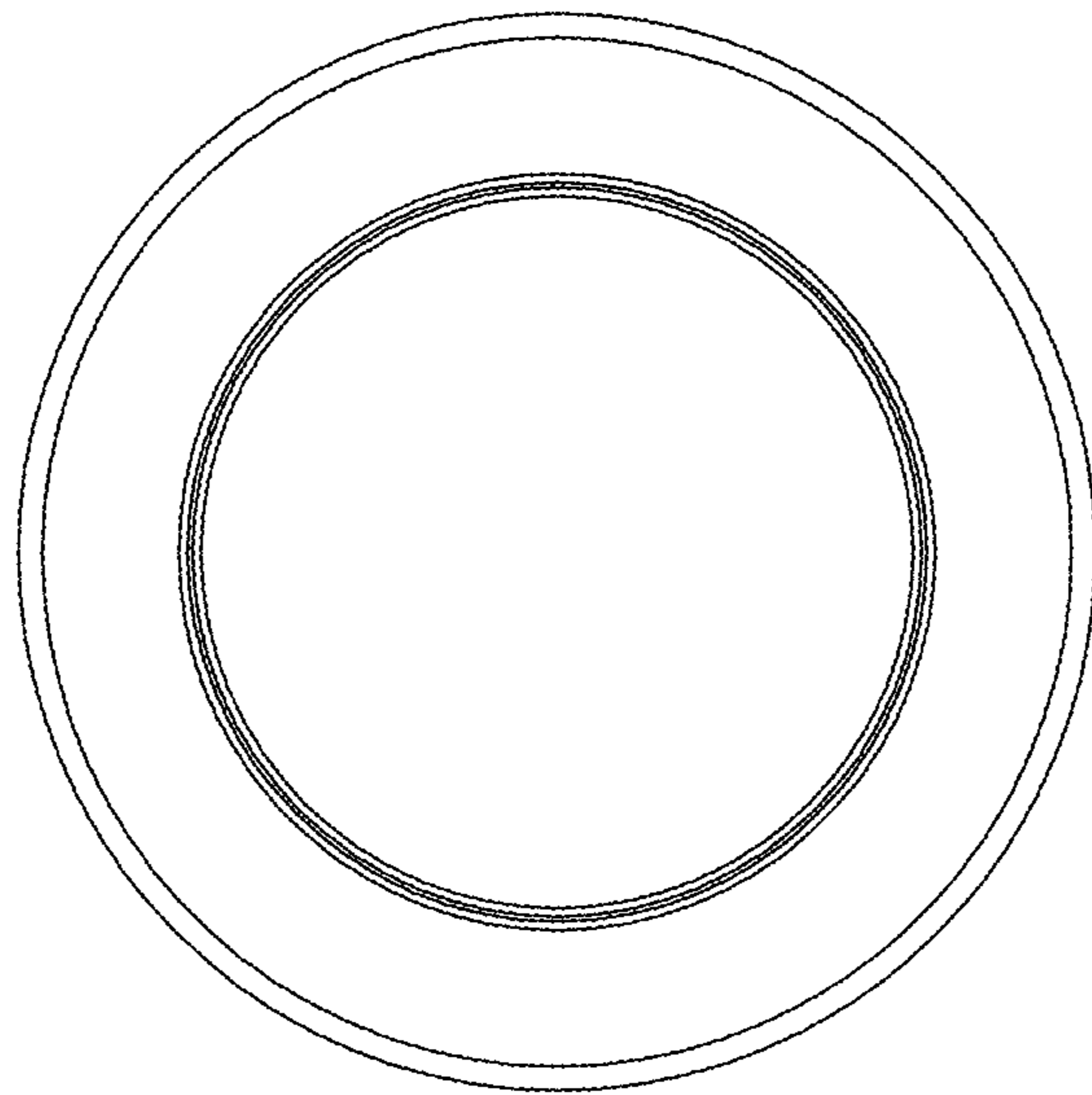


FIG.5

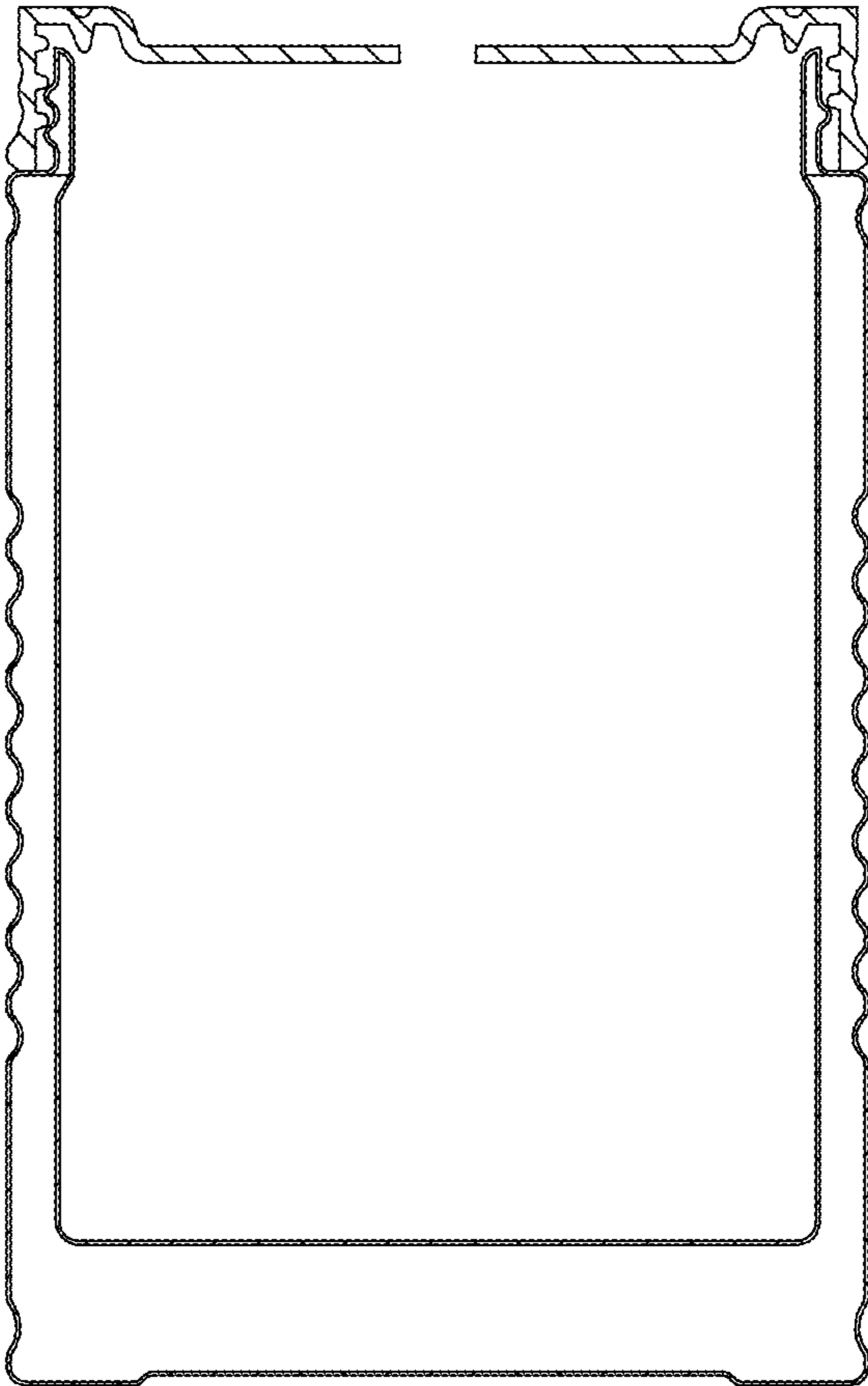


FIG.6