



US00D799269S

(12) **United States Design Patent**  
**Vargo**

(10) **Patent No.:** **US D799,269 S**

(45) **Date of Patent:** **\*\* Oct. 10, 2017**

(54) **BEVERAGE BOTTLE ASSEMBLY WITH A TETHERED PARACORD CLOSURE CAP**

(71) Applicant: **Brian J. Vargo**, Lewisburg, PA (US)

(72) Inventor: **Brian J. Vargo**, Lewisburg, PA (US)

(\*\*) Term: **15 Years**

(21) Appl. No.: **29/542,229**

(22) Filed: **Oct. 13, 2015**

(51) **LOC (10) Cl.** ..... **07-01**

(52) **U.S. Cl.**

USPC ..... **D7/510**; D7/511; D7/532

(58) **Field of Classification Search**

USPC ..... D7/507, 509, 510, 511, 523, 529, 531, D7/532, 533, 535, 536, 508, 392.1, 396.2, D7/387, 543, 608; D8/33, 34; 220/592.16, 592.17, 295.03, 718, 719, 220/495.03, 62.12, 710.5; D9/517, 567, D9/554, 555, 558, 503, 504, 552, 540, D9/449, 446

CPC .. B25B 13/52; B67B 7/00; B67B 7/14; B67B 7/16; A47G 19/22; A47G 19/2227; A45F 3/20

See application file for complete search history.

(56) **References Cited**

**U.S. PATENT DOCUMENTS**

D373,706 S *	9/1996	Gregg	.....	D7/511
D412,640 S *	8/1999	Much	.....	D7/392
D496,559 S *	9/2004	Bodum	.....	D7/510
D572,078 S *	7/2008	Bhavnani	.....	D7/392.1
D605,942 S *	12/2009	Miksovsky	.....	D9/446
D650,629 S *	12/2011	Gilbert	.....	D7/392.1
D651,044 S *	12/2011	Gilbert	.....	D7/510
D662,827 S *	7/2012	Watabe	.....	D9/453
D672,648 S *	12/2012	Goto	.....	D9/443
D678,729 S *	3/2013	Peeters	.....	D7/608
D680,805 S *	4/2013	Rosbach	.....	D7/392.1

D688,912 S *	9/2013	Rosbach	.....	D7/392.1
8,752,720 B1 *	6/2014	Habig	.....	B65D 55/16 215/306
D726,018 S *	4/2015	Archer	.....	D9/446
D727,685 S *	4/2015	He	.....	D7/510
D767,390 S *	9/2016	Miksovsky	.....	D7/392.1
D776,487 S *	1/2017	Peeters	.....	D7/608

(Continued)

**OTHER PUBLICATIONS**

<http://simplylaurlee.blogspot.com/2014/07/hydro-flask-handles.html> Hydro Flask Handles Jul. 23, 2014.\*

(Continued)

*Primary Examiner* — Marianne Pandozzi

*Assistant Examiner* — Jae Liang

(74) *Attorney, Agent, or Firm* — Sonya C. Harris; Invention Services

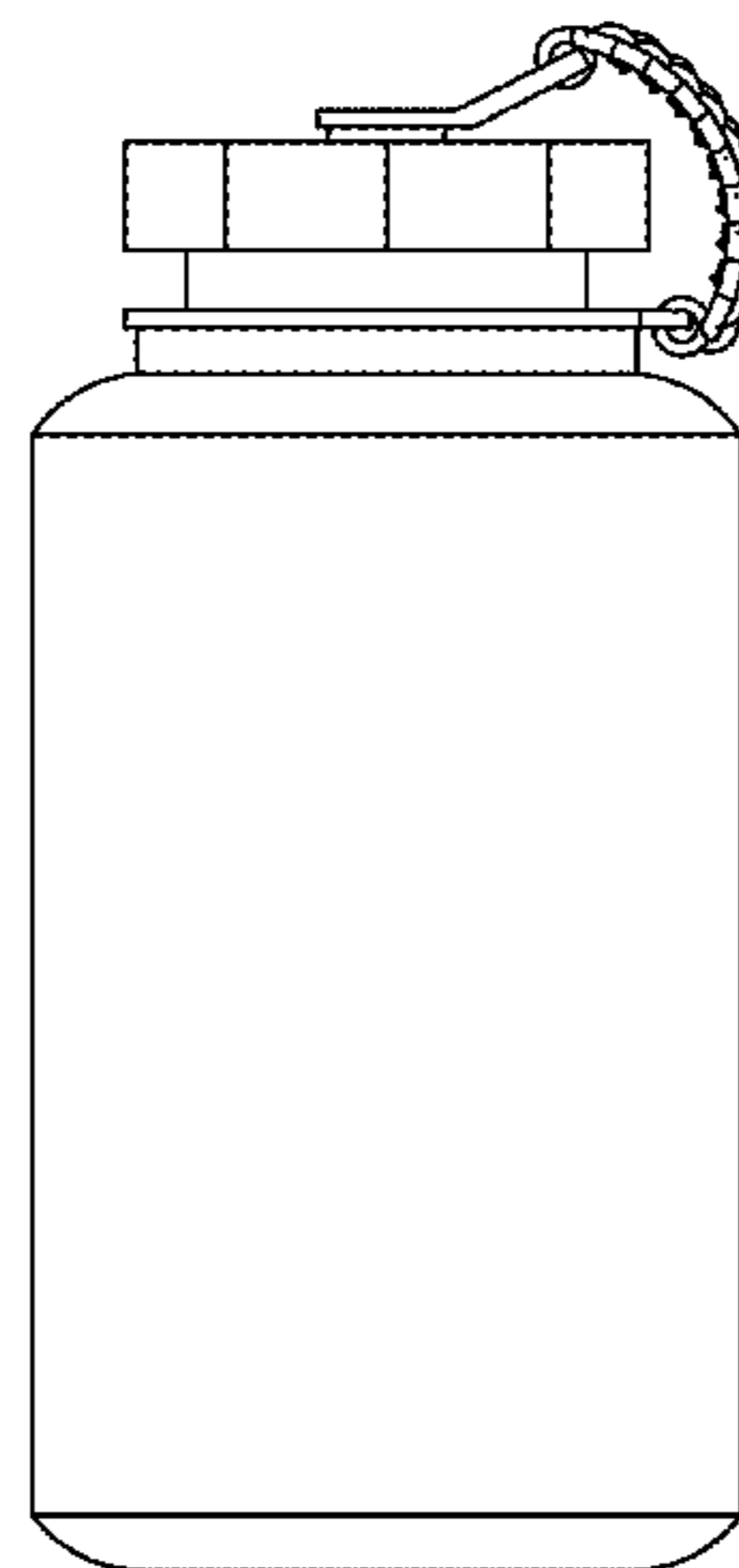
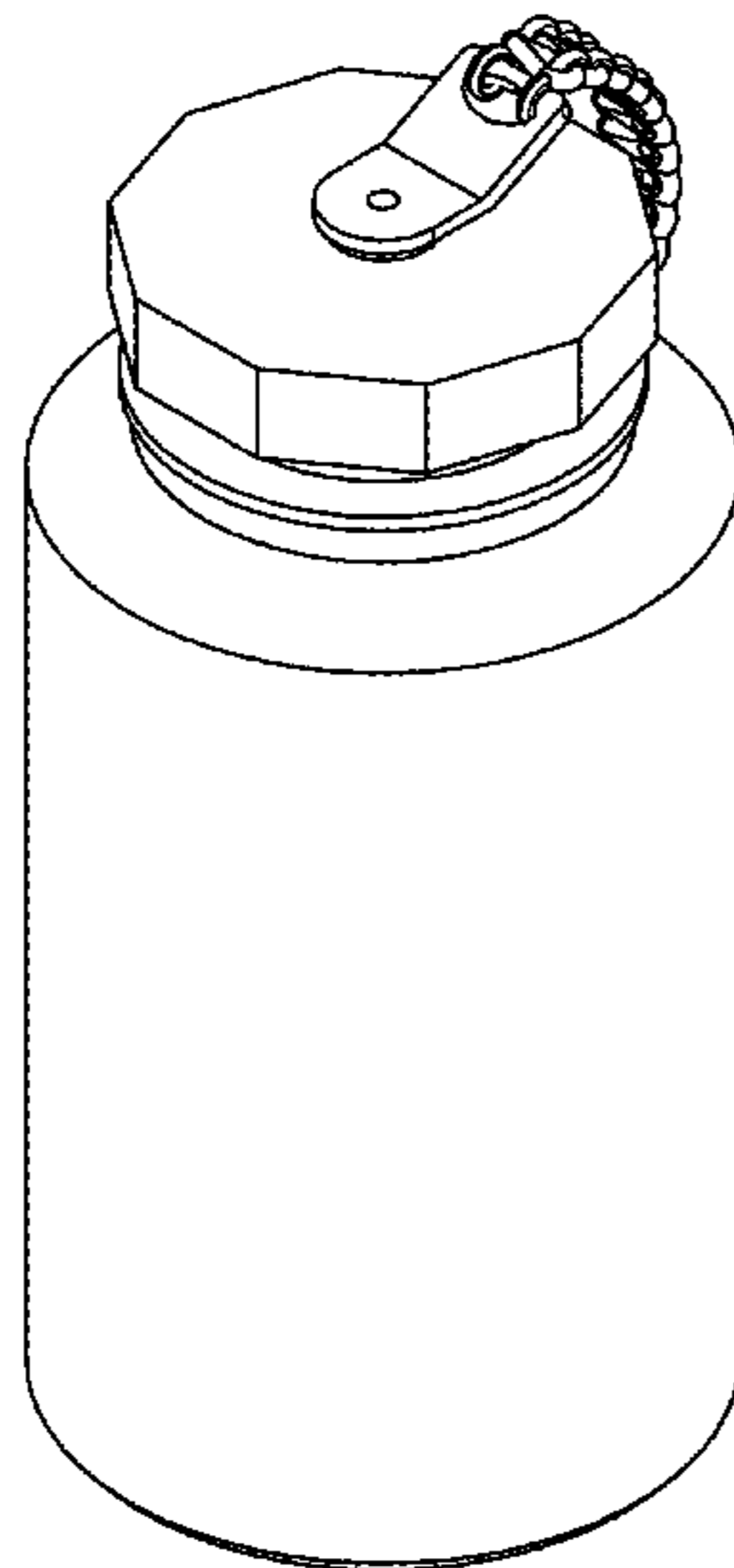
(57) **CLAIM**

The ornamental design for a beverage bottle assembly with a tethered paracord closure cap, as shown and described.

**DESCRIPTION**

FIG. 1 is a top front perspective view of a beverage bottle assembly with a tethered paracord closure cap in its closed position showing my new design; FIG. 2 is a top elevational view thereof; FIG. 3 is a right side elevational view thereof; the left side being a mirror image thereof; FIG. 4 is a front elevational view thereof; FIG. 5 is a rear elevational view thereof; FIG. 6 is a top rear perspective view thereof; FIG. 7 is a bottom rear perspective view thereof; FIG. 8 is a bottom front perspective view thereof; FIG. 9 is a top front perspective view thereof; FIG. 10 is a right side view of FIG. 9; and, FIG. 11 is a top elevational view of FIG. 9.

**1 Claim, 10 Drawing Sheets**



(56)

**References Cited**

U.S. PATENT DOCUMENTS

2013/0032564 A1\* 2/2013 Rosbach ..... A47G 19/2288  
215/12.1

OTHER PUBLICATIONS

<https://www.mountainproject.com/forum/topic/110891677/make-your-nalgene-bottle-more-durable-and-unique> Climbing Gear Discussion Aug. 18, 2015.\*

<http://www.instructables.com/id/Nalgene-Cap-Paracord-Fix/> Nalgene Cap Paracord Fix.\*

\* cited by examiner

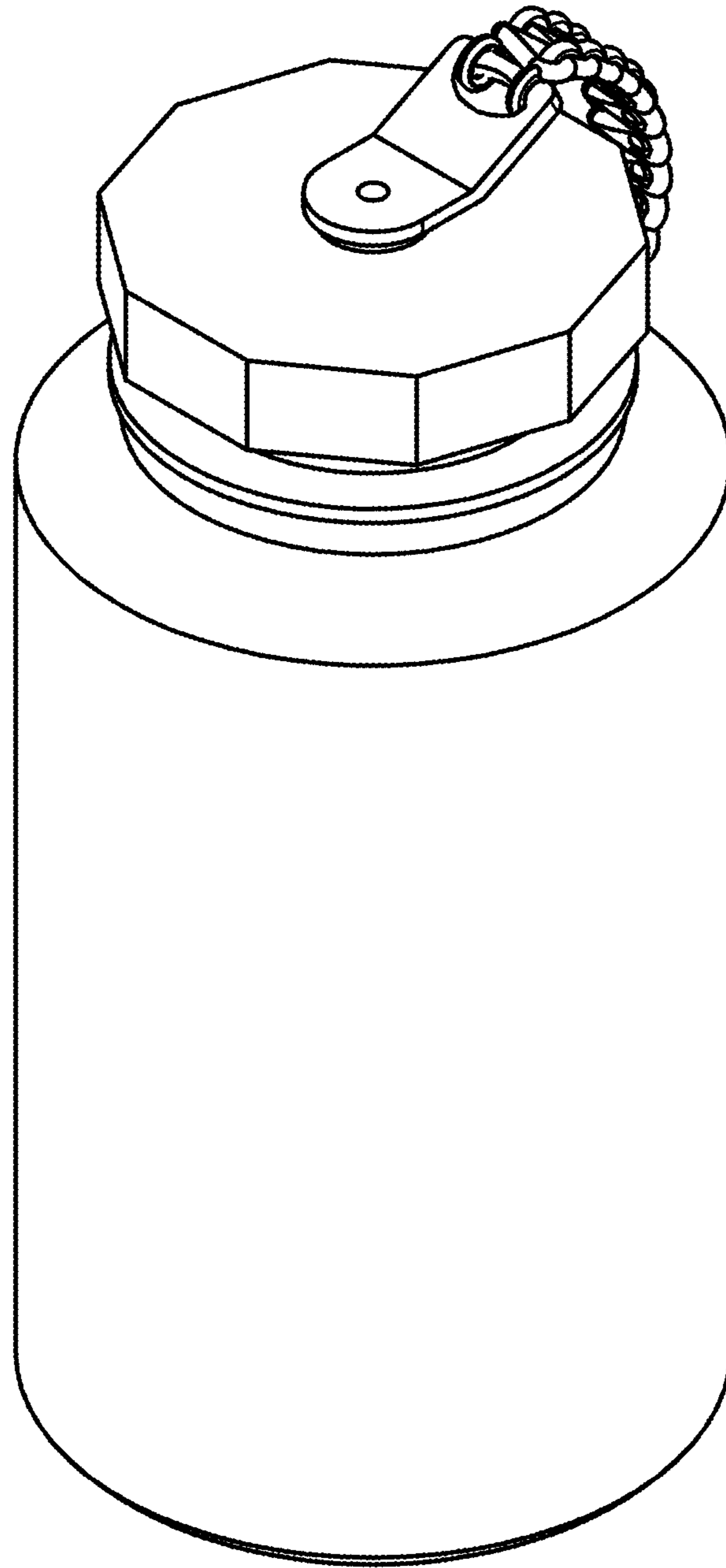


FIG 1

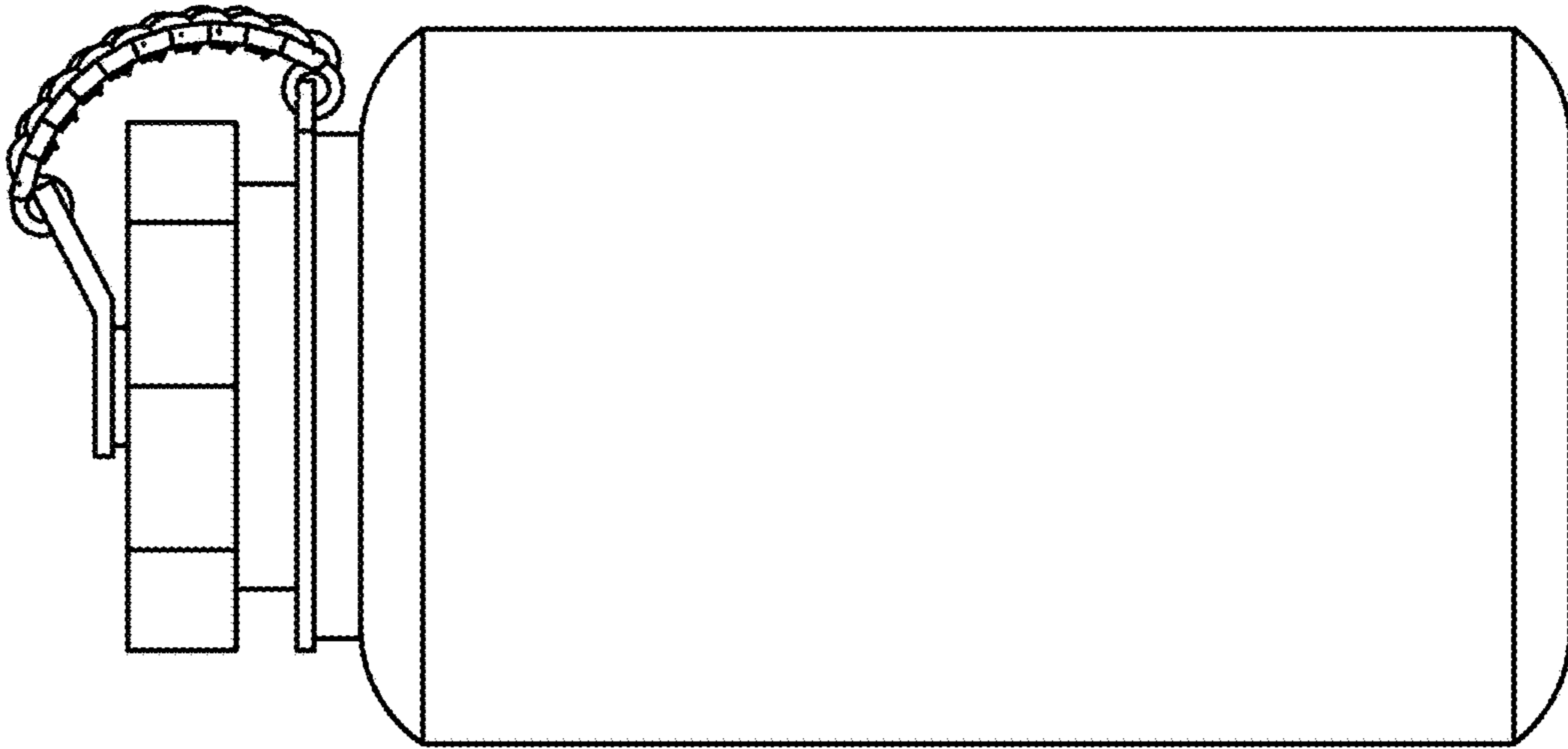


FIG 3

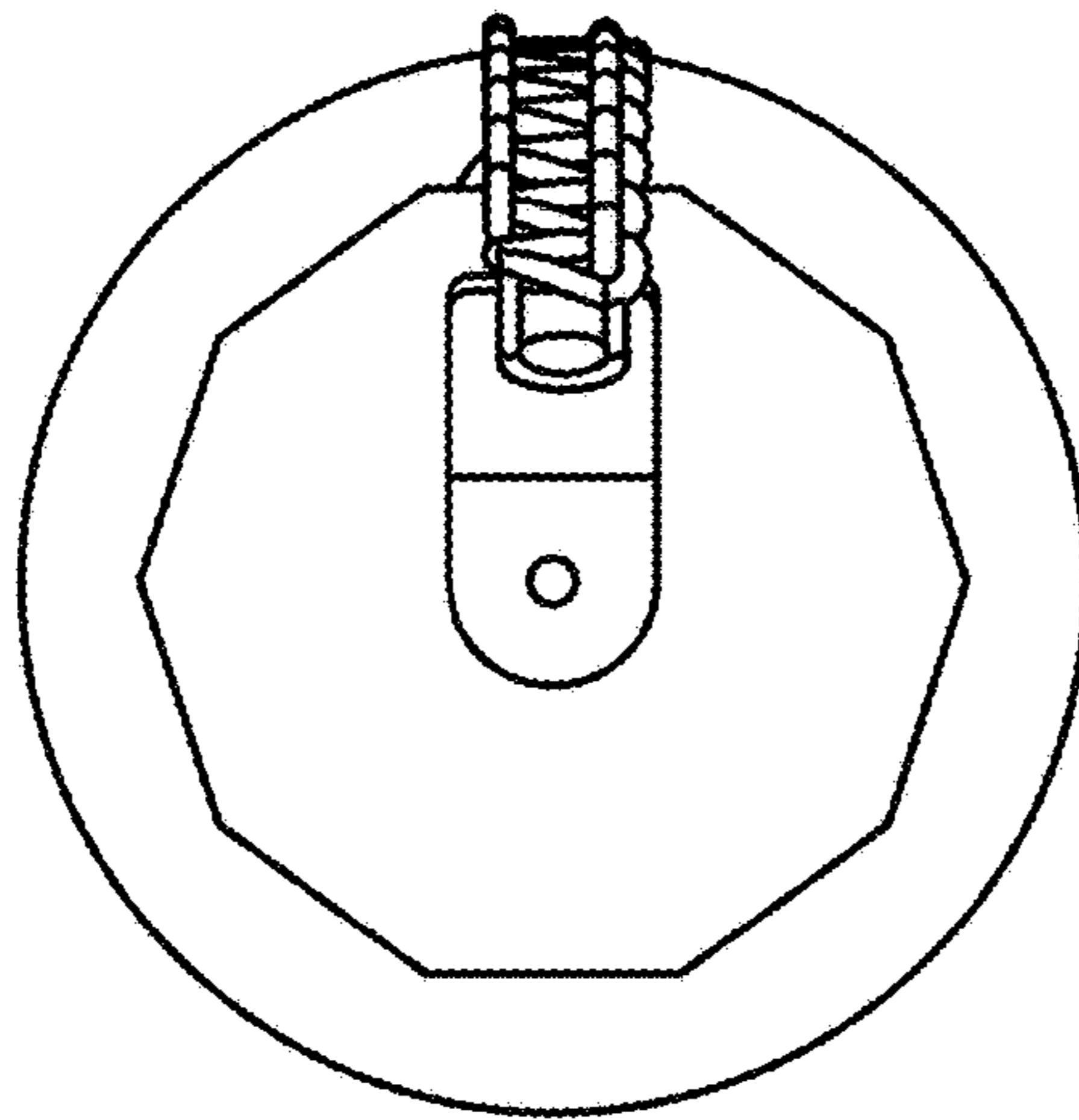


FIG 2

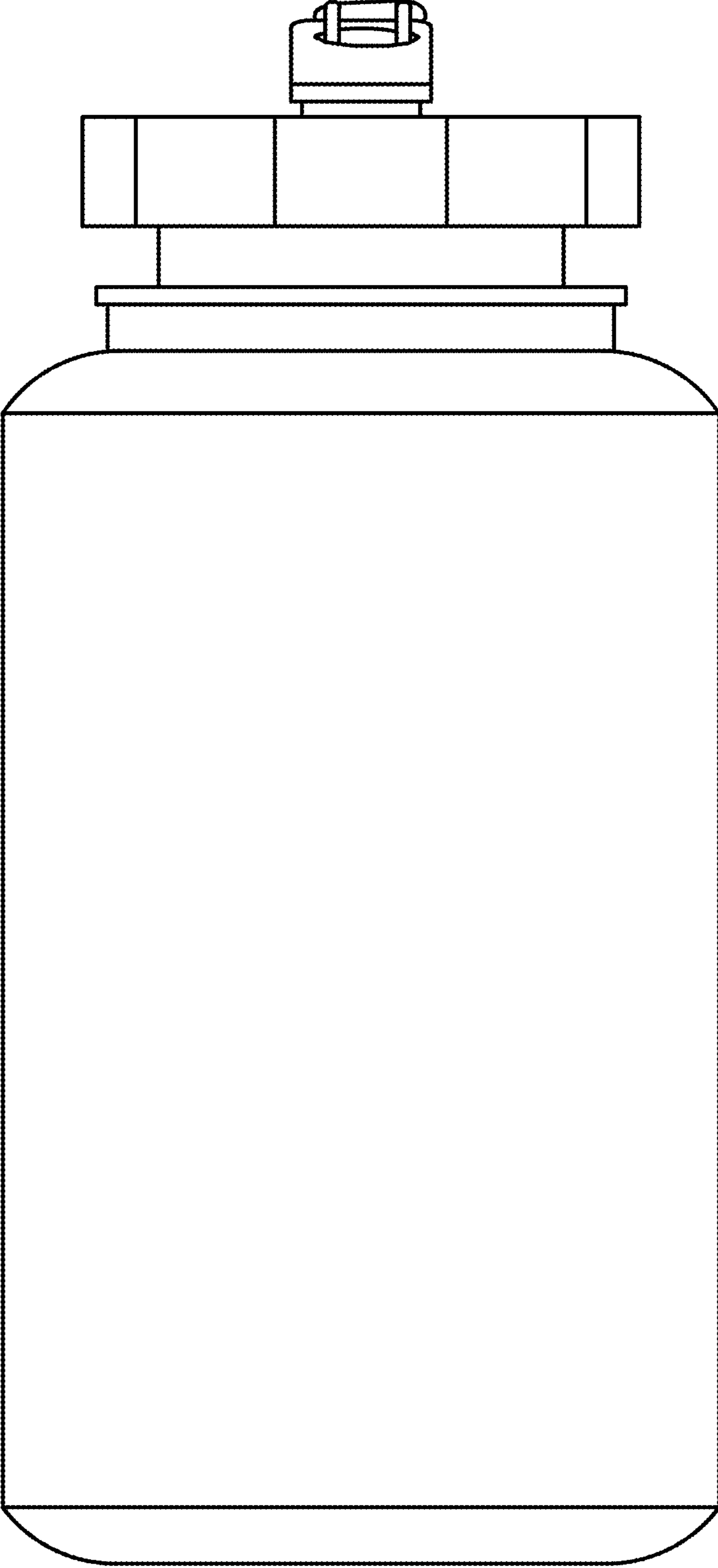


FIG 4

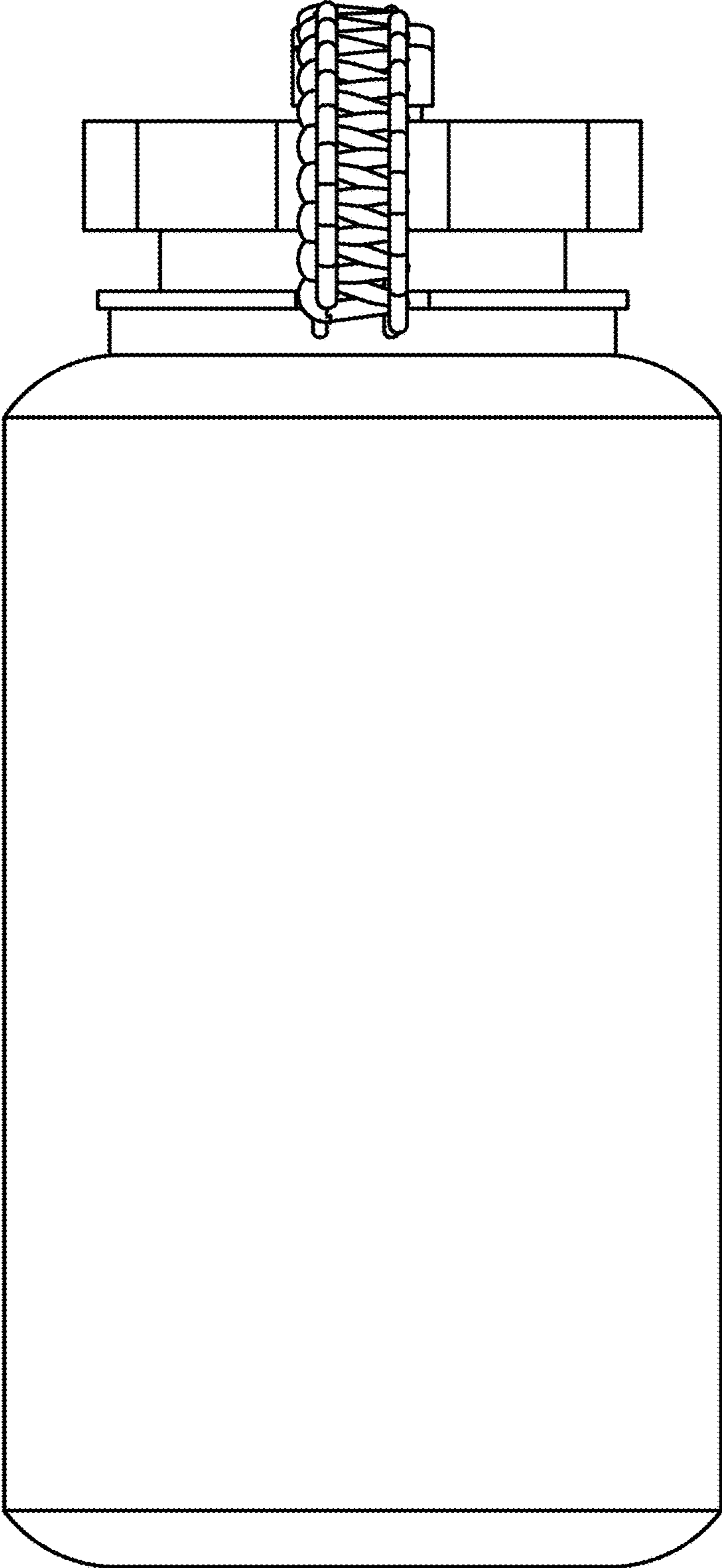


FIG 5

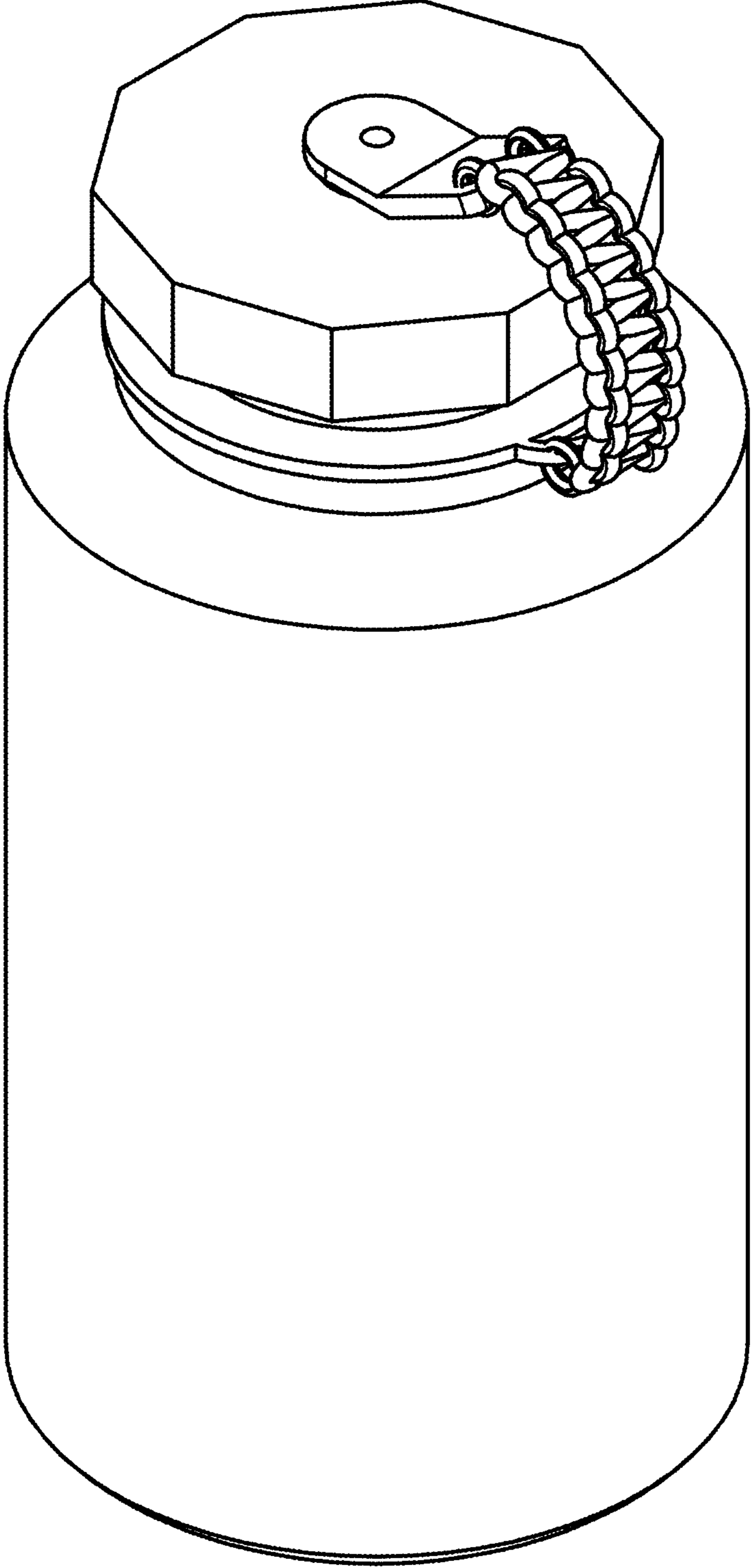


FIG 6

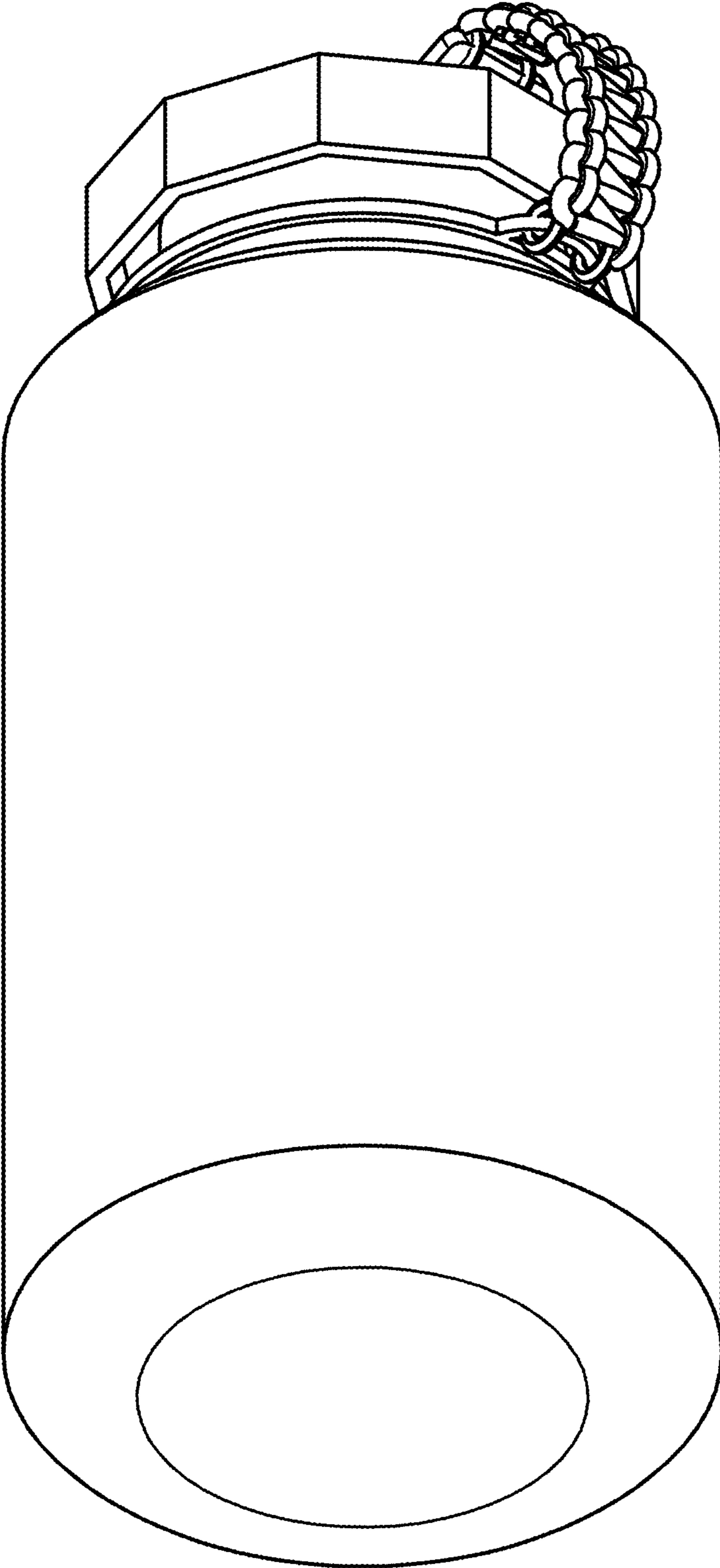


FIG 7



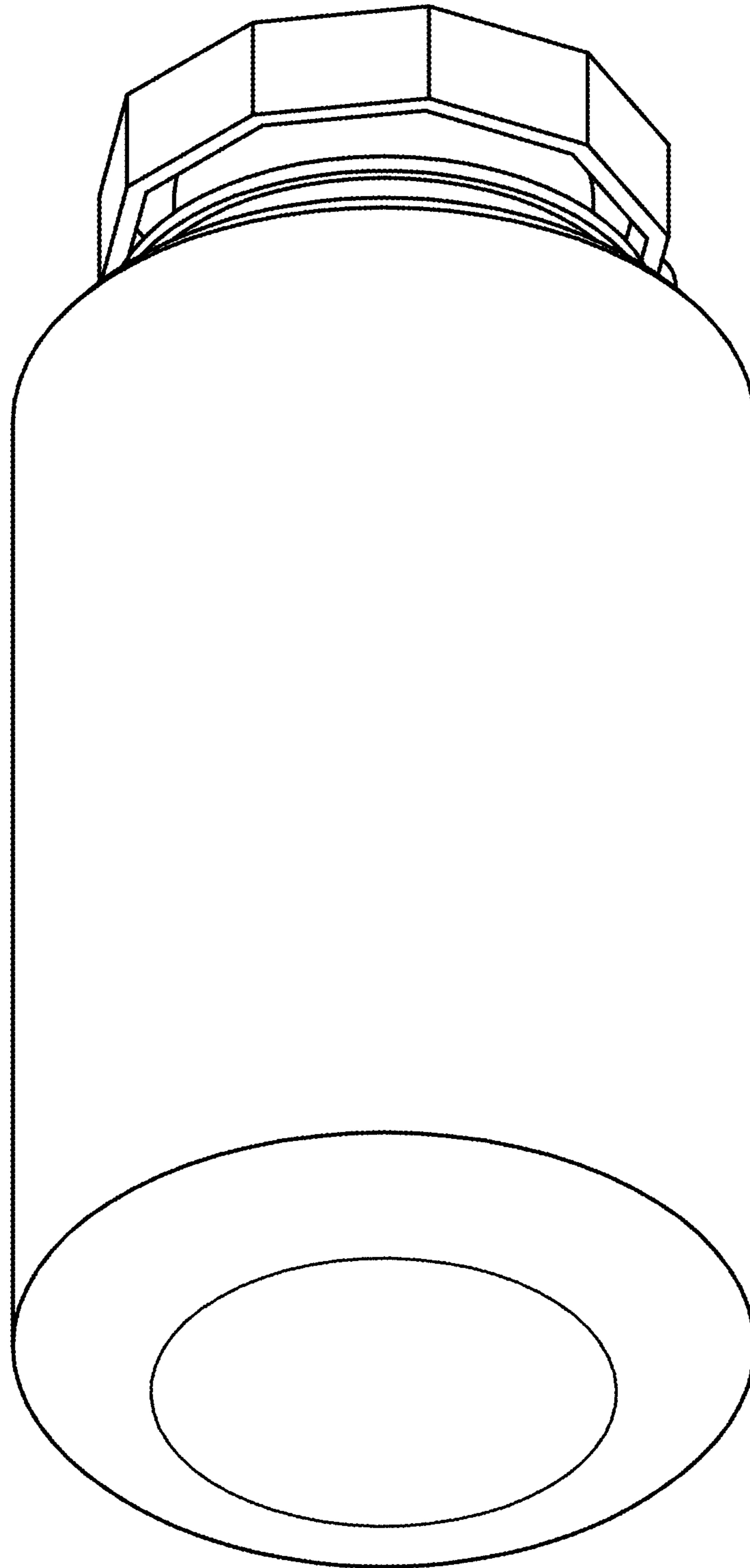


FIG 8

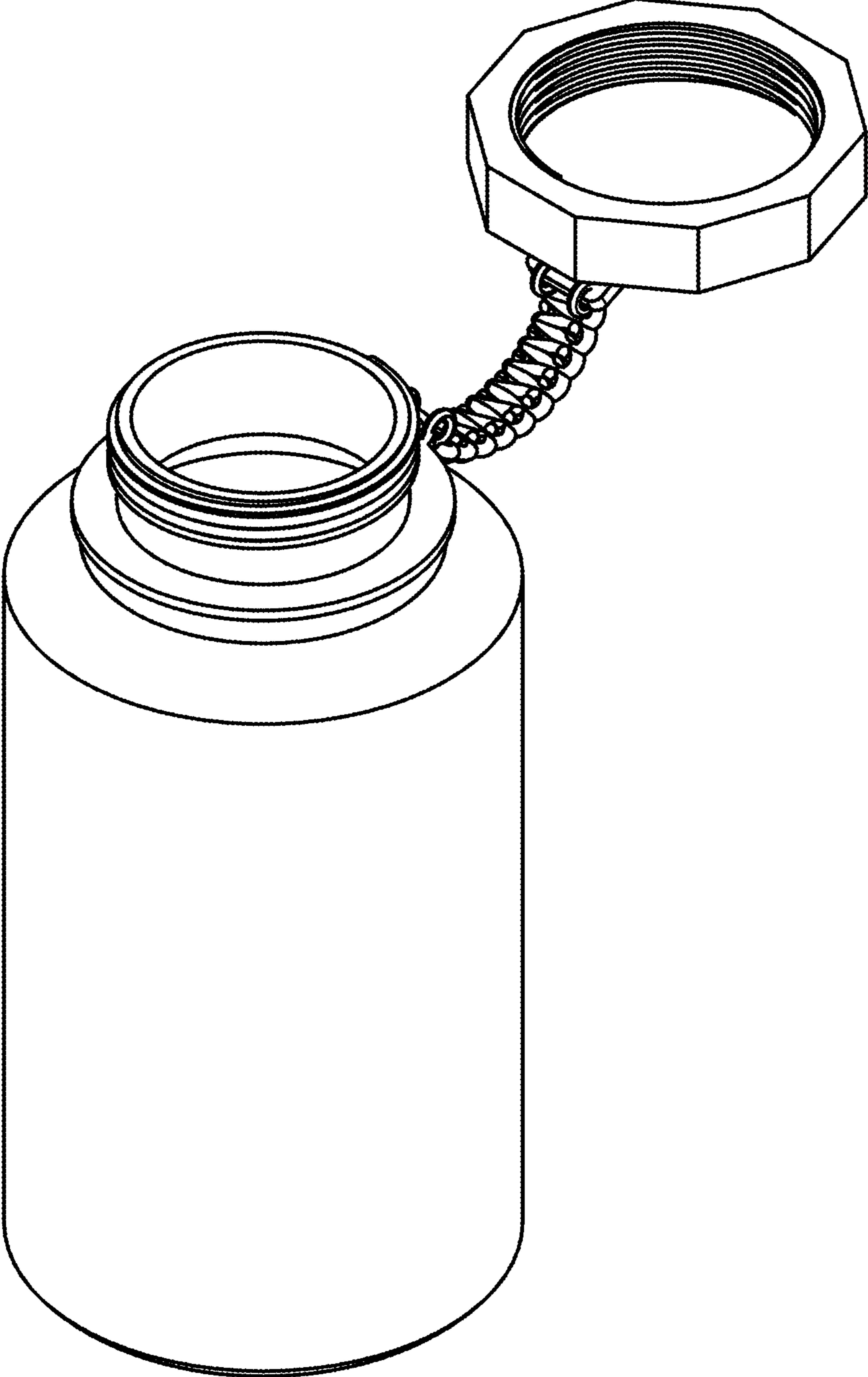


FIG 9

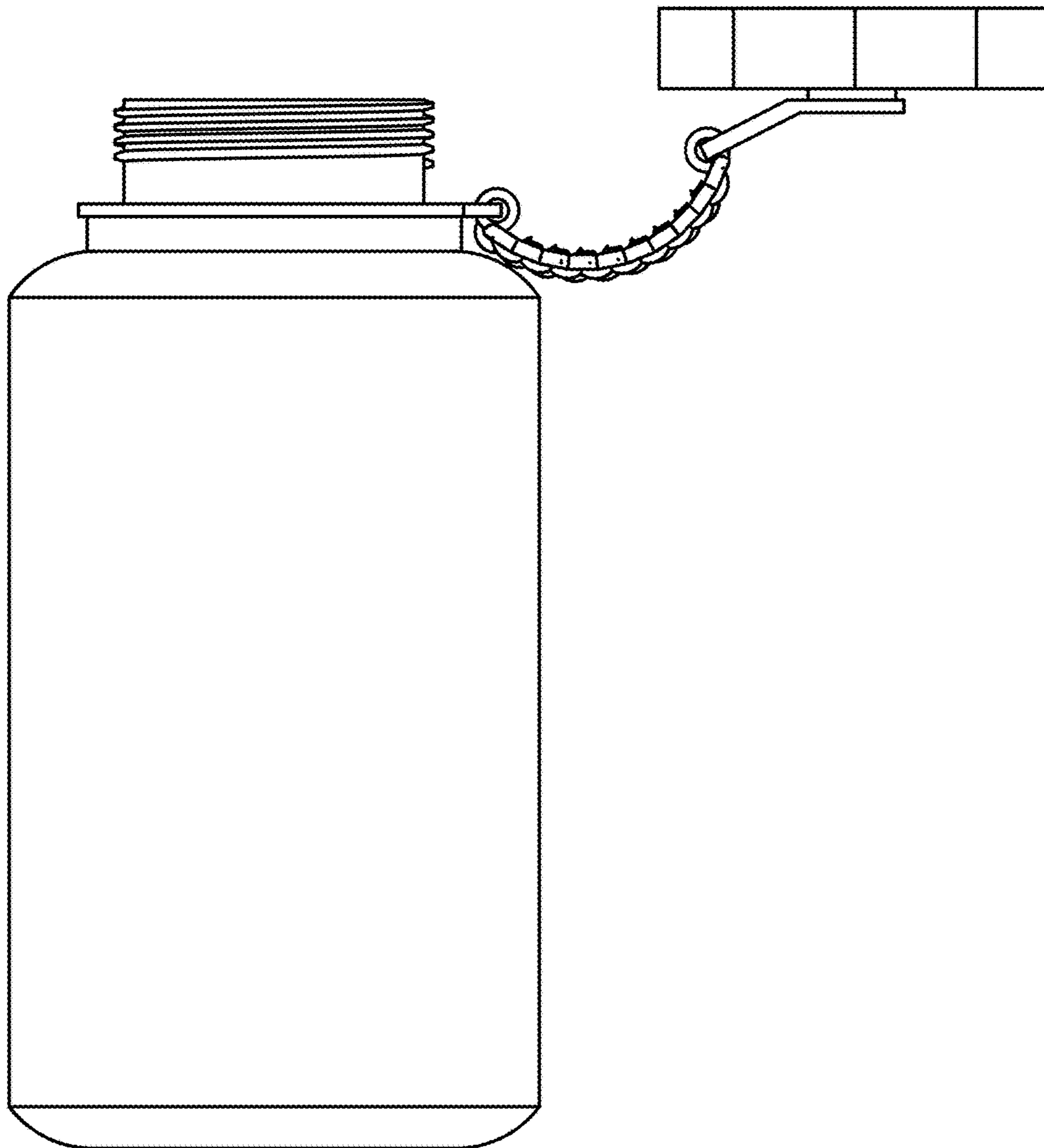


FIG 10

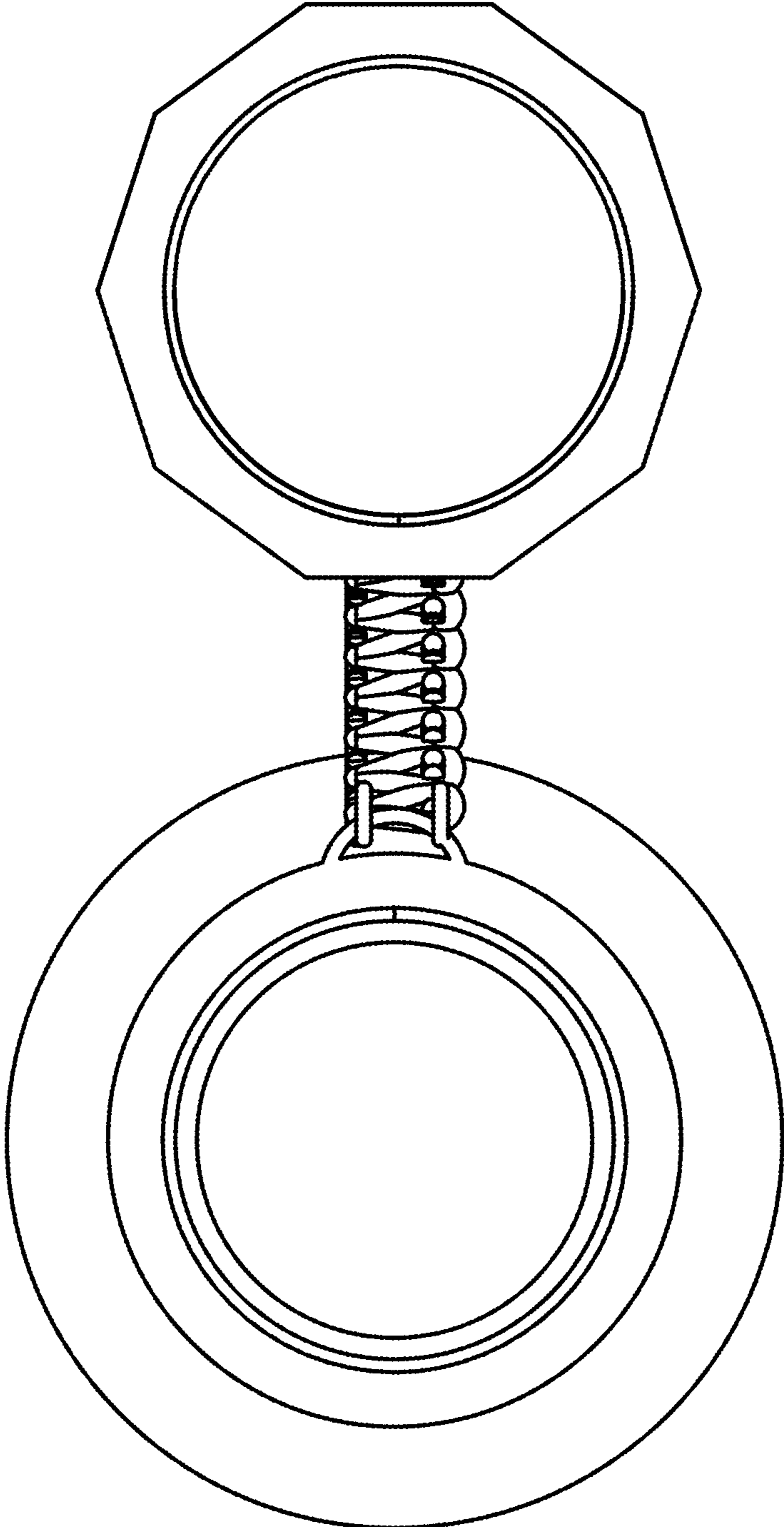


FIG 11