



US00D799268S

(12) **United States Design Patent** (10) **Patent No.:** **US D799,268 S**
Gschwandtl et al. (45) **Date of Patent:** **** Oct. 10, 2017**

(54) **BEVERAGE CONTAINER**

- (71) Applicant: **EMBER TECHNOLOGIES, INC.**,
Westlake Village, CA (US)
- (72) Inventors: **Martin Gschwandtl**, San Francisco,
CA (US); **Eric Fields**, San Francisco,
CA (US); **Stephen Steger**, San
Francisco, CA (US); **Christopher Kuh**,
San Francisco, CA (US); **Robert
Brunner**, San Francisco, CA (US)
- (73) Assignee: **EMBER TECHNOLOGIES, INC.**,
WestLake Village, CA (US)
- (**) Term: **15 Years**
- (21) Appl. No.: **29/561,688**
- (22) Filed: **Apr. 19, 2016**

Related U.S. Application Data

- (63) Continuation-in-part of application No. 29/526,026,
filed on May 5, 2015, now Pat. No. Des. 770,853.
- (51) **LOC (10) Cl.** **07-01**
- (52) **U.S. Cl.**
USPC **D7/509; D7/523; D7/532**
- (58) **Field of Classification Search**
USPC D7/509, 510, 511, 523, 532, 543, 505,
D7/300.1, 607, 708, 619.1, 396.1, 396.2,
D7/399, 387, 608; D9/503, 504, 520,
D9/546, 572, 573, 574, 414, 432, 450,
D9/524; D24/232, 216, 207, 206, 218,
D24/224, 227, 229; D28/82, 76, 73, 83,
D28/85; 220/592.16, 592.17, 700, 703,
220/377; D3/202, 302; D26/49
CPC A47G 19/22; A47G 19/2205; A47G
19/2255; A47G 19/2288; B65D 1/265;
B65D 43/02; B65D 3/08
See application file for complete search history.

(56) **References Cited**

U.S. PATENT DOCUMENTS

D55,571 S	6/1920	Paine
2,299,730 A	10/1942	Bornstein
D139,441 S	11/1944	Lippincott
D185,465 S	6/1959	Schlumbohm
4,980,539 A	12/1990	Walton
5,042,258 A	8/1991	Sundhar
D366,810 S	2/1996	Yeh
D377,293 S	1/1997	Husted
5,842,353 A	12/1998	Kuo-Liang
D408,689 S	4/1999	Kato
6,013,901 A	1/2000	Lavoie
6,072,161 A	6/2000	Stein
D432,865 S	10/2000	Cohen
6,140,614 A	10/2000	Padamsee
6,314,867 B1	11/2001	Russell
6,403,928 B1	6/2002	Ford
D472,101 S	3/2003	Janky
D483,995 S	12/2003	Otake
6,674,052 B1	1/2004	Luo
D490,272 S	5/2004	Rohe

(Continued)

Primary Examiner — Marianne Pandozzi

Assistant Examiner — Jae Liang

(74) *Attorney, Agent, or Firm* — Knobbe, Martens, Olson
& Bear LLP

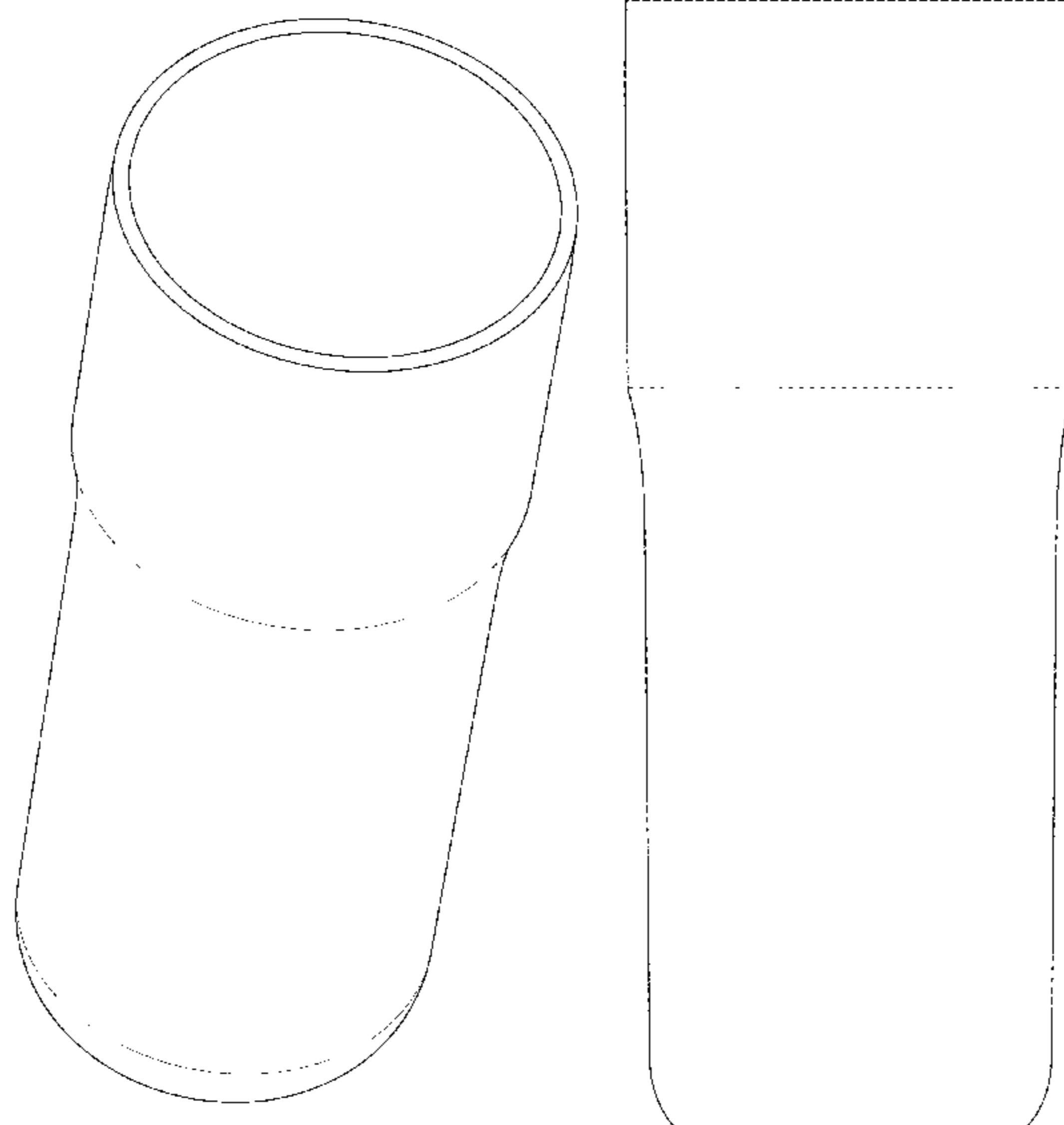
(57) **CLAIM**

We claim the ornamental design for a beverage container, as shown and described.

DESCRIPTION

FIG. 1 is a perspective top view of a beverage container showing our new design;
FIG. 2 is a side view thereof;
FIG. 3 is a top view thereof;
FIG. 4 is a bottom view thereof; and,
FIG. 5 is a perspective bottom view thereof.

1 Claim, 4 Drawing Sheets



(56)

References Cited

U.S. PATENT DOCUMENTS

D495,208 S	8/2004	Putnam	D654,319 S	2/2012	Myers	
D497,778 S	11/2004	Rich	D658,944 S *	5/2012	Gilbert	D7/511
6,852,954 B1	2/2005	Liu et al.	D662,776 S	7/2012	Eyal	
D502,396 S	3/2005	Frisch	8,274,016 B2	9/2012	Montana	
6,864,462 B2	3/2005	Sanoner et al.	D705,012 S	5/2014	Lapsker	
7,022,946 B2	4/2006	Sanoner et al.	D706,475 S	6/2014	Lee	
D531,856 S	11/2006	Seum	D713,686 S *	9/2014	Eyal	D7/509
D535,151 S	1/2007	Seum	D716,982 S	11/2014	Corey	
D540,124 S	4/2007	Ross	D727,093 S	4/2015	Lapsker	
D545,131 S	6/2007	Seum	D734,989 S	7/2015	Lapsker	
D565,901 S *	4/2008	Edelstein	D770,853 S *	11/2016	Gschwandtl	D7/510
D588,936 S	3/2009	Ioannides	2005/0121431 A1	6/2005	Yuen	
D608,147 S	1/2010	Sykes	2006/0207442 A1	9/2006	Pettersson	
D623,473 S	9/2010	Chen	2010/0000980 A1	1/2010	Popescu	
D638,709 S *	5/2011	Yourist	2010/0224645 A1	9/2010	Gilbert	
D649,402 S *	11/2011	Gilbert	2011/0072978 A1	3/2011	Popescu	
D649,403 S	11/2011	Eyal	2012/0082766 A1	4/2012	Maupin et al.	
			2013/0221013 A1	8/2013	Kolowich et al.	
			2013/0319894 A1 *	12/2013	Vargas	A47G 19/2227 206/459.5

* cited by examiner

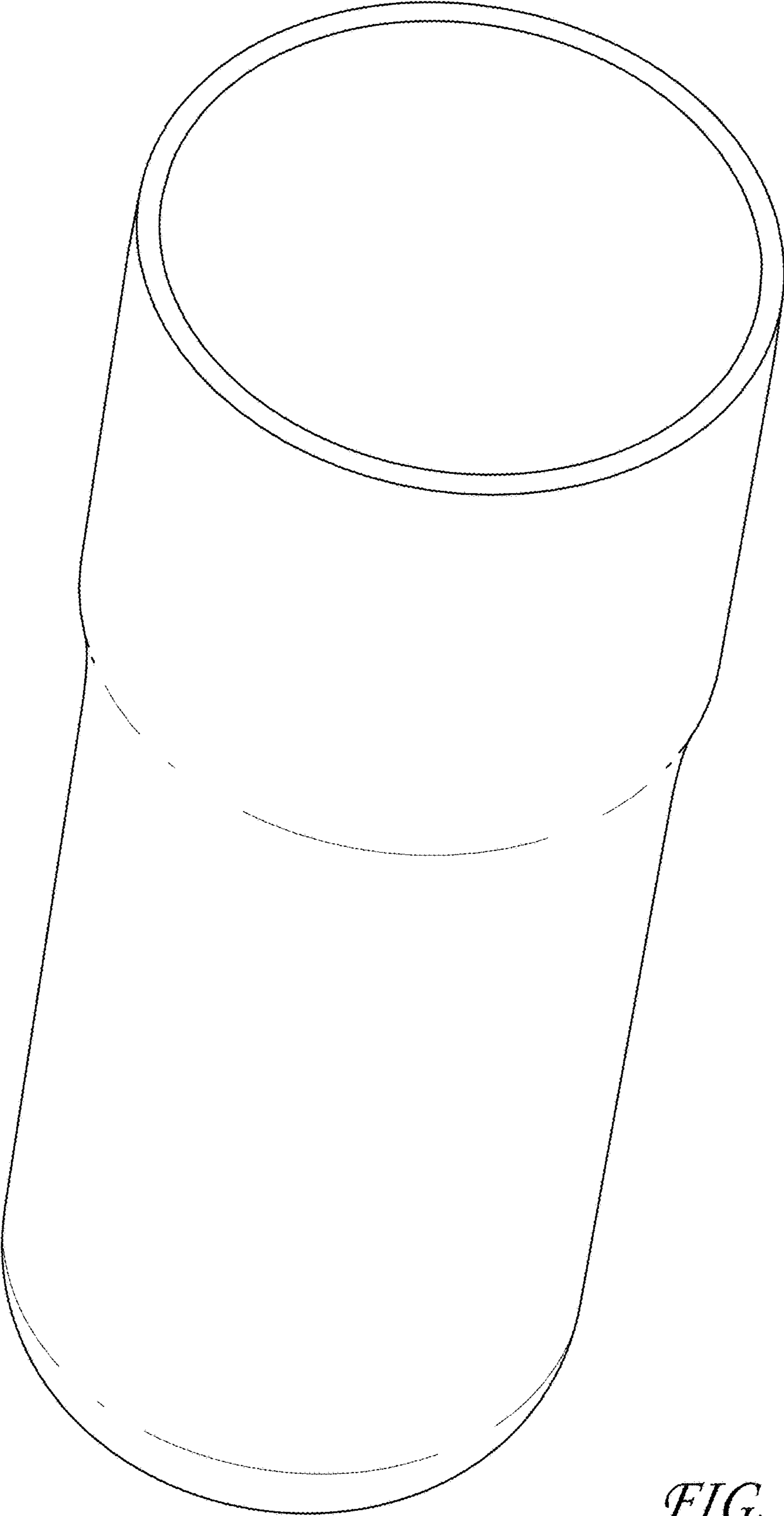


FIG. 1

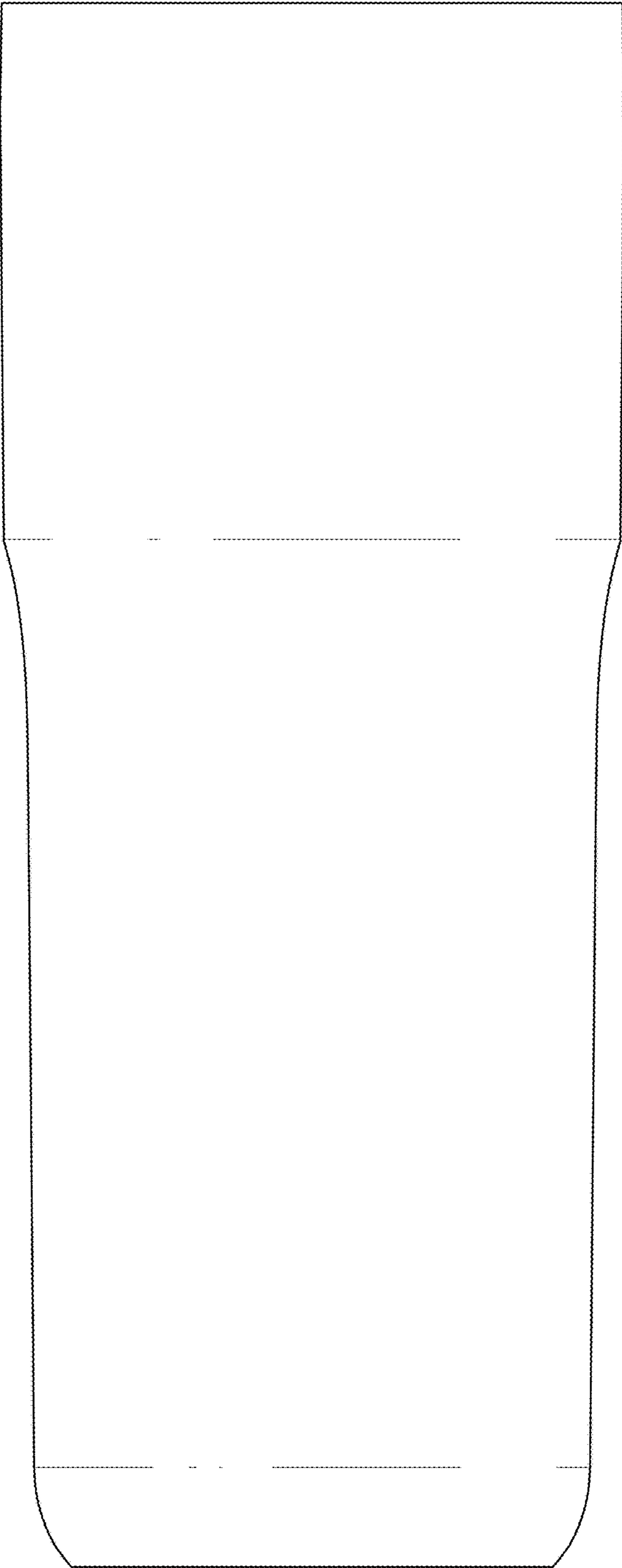


FIG. 2

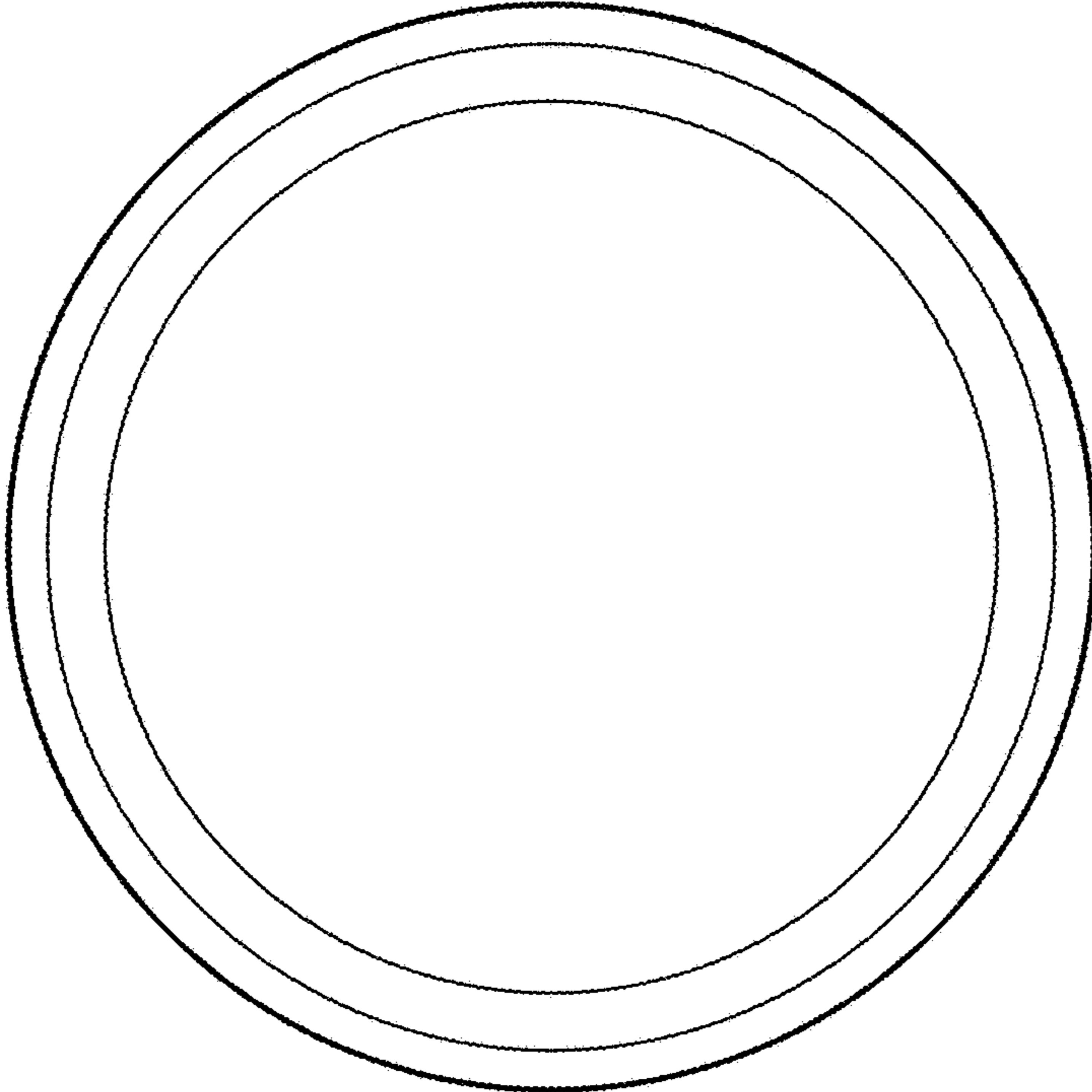


FIG. 3

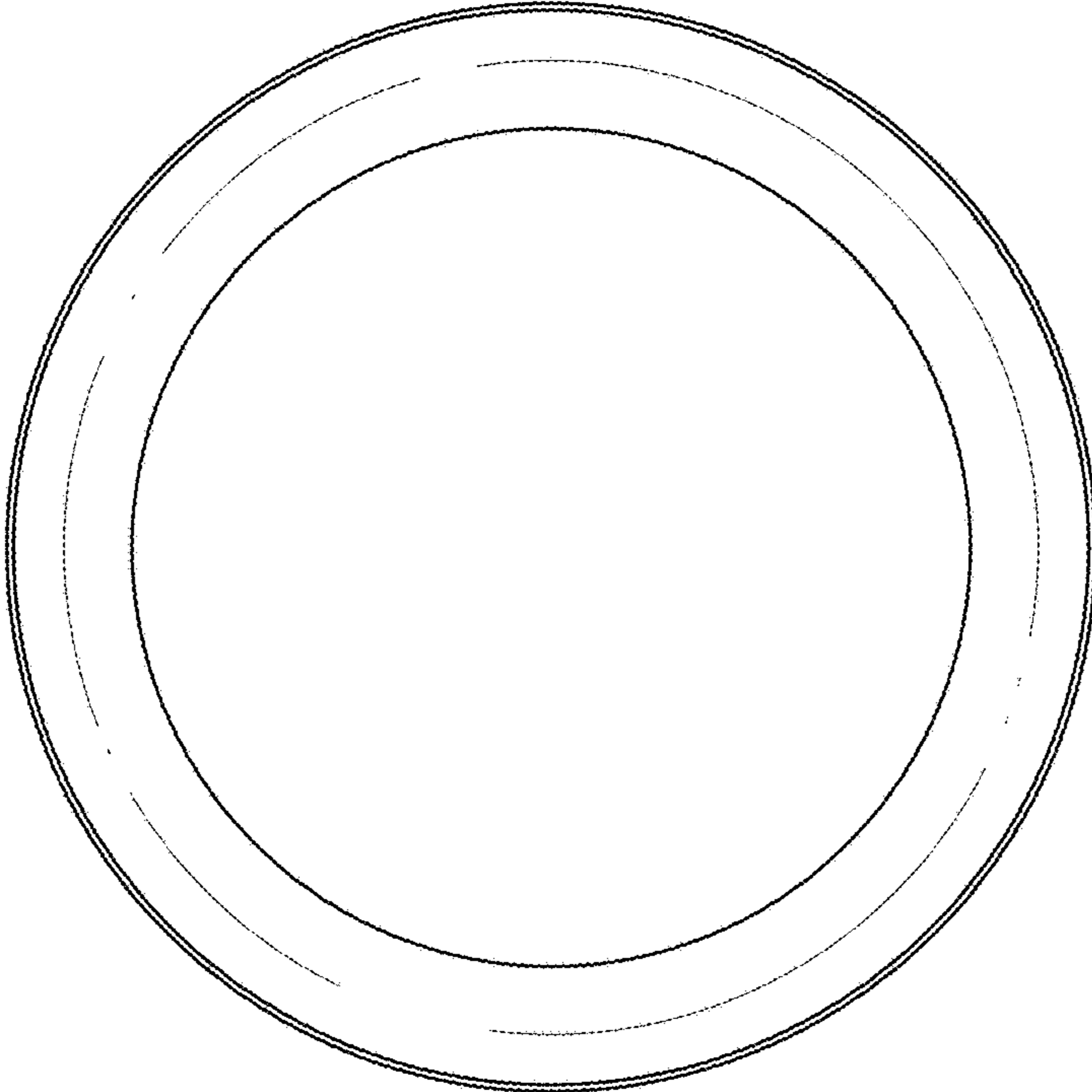


FIG. 4

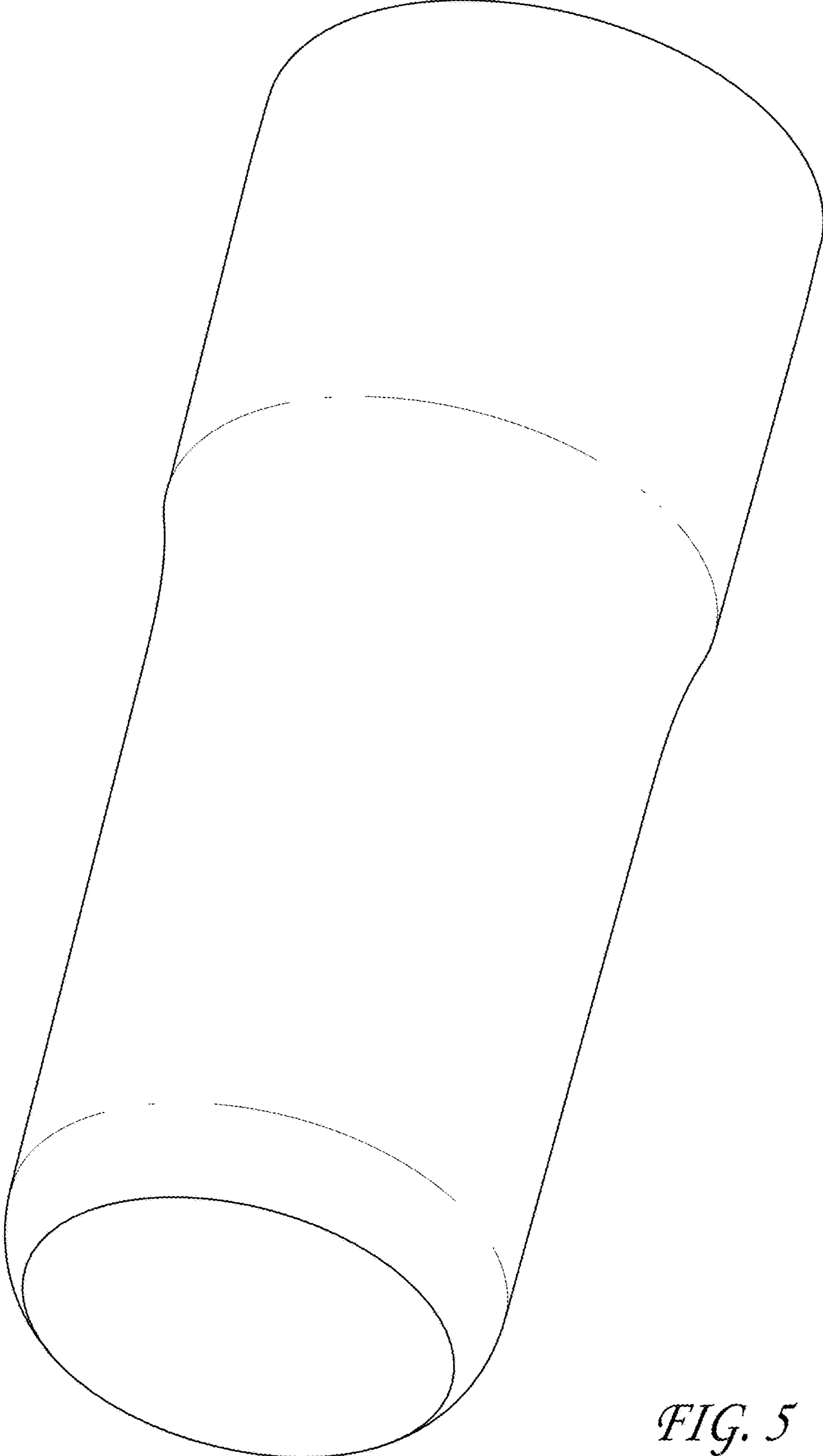


FIG. 5