



US00D799267S

(12) **United States Design Patent** (10) **Patent No.:** **US D799,267 S**
Luo et al. (45) **Date of Patent:** **** Oct. 10, 2017**

(54) **SHOT GLASS**

(56) **References Cited**

(71) Applicant: **JEEP INNOVATION Limited**, Hong Kong (CN)

U.S. PATENT DOCUMENTS

(72) Inventors: **Pei Fan Luo**, Hong Kong (CN); **Chi Leung Chan**, Hong Kong (CN)

3,820,684	A *	6/1974	Harrison	B65D 1/265 206/520
D363,854	S *	11/1995	Katz	D10/46.2
D507,720	S *	7/2005	Fabrizio	D7/507
D548,534	S *	8/2007	Sullivan	D7/509
D605,468	S *	12/2009	Borrello	D7/507
D614,916	S *	5/2010	Borrello	D7/507
D621,658	S *	8/2010	Rice	D7/509
D631,702	S *	2/2011	Flick	D7/509
D670,836	S *	11/2012	Hisey	26/22
D702,723	S *	4/2014	Abratowski	D14/489
D712,299	S *	9/2014	DiPietro	D11/79
D713,204	S *	9/2014	Katterheinrich	D7/509
D754,478	S *	4/2016	Kushner	D10/44
D772,653	S *	11/2016	Miller	D7/523
2009/0181144	A1 *	7/2009	Farrell	A23L 2/50 426/474

(73) Assignee: **JEEP INNOVATION LIMITED**, Hong Kong (CN)

(**) Term: **15 Years**

(21) Appl. No.: **29/539,446**

(22) Filed: **Sep. 15, 2015**

(30) **Foreign Application Priority Data**

May 26, 2015 (CN) 201530162914.3

(51) **LOC (10) Cl.** **07-01**

(52) **U.S. Cl.**
USPC **D7/509**; D7/523; D7/396.4

(58) **Field of Classification Search**
USPC D7/507, 509, 510, 511, 523, 529, 530, D7/532, 584, 533, 535, 504, 534, 396.4, D7/392.1, 396.2; D11/143, 144; D26/9, D26/11; 220/592.16, 592.17, 200, 220/495.03, 494, 62.12, 662, 663; 215/377, 371, 374; D9/715, 722, 721, D9/530, 534, 415, 434, 454, 777, 772, D9/763, 503, 504; D27/183, 172, 174, D27/175, 176, 101, 100, 118; D24/197, D24/224; D23/260; D28/73; D19/101, D19/57, 115, 163
CPC A47G 19/22; A47G 19/2205; A47G 19/2222; B65D 3/22; B65D 90/02; A01G 9/00

See application file for complete search history.

* cited by examiner

Primary Examiner — Marianne Pandozzi

Assistant Examiner — Jae Liang

(74) *Attorney, Agent, or Firm* — Charles H Jew

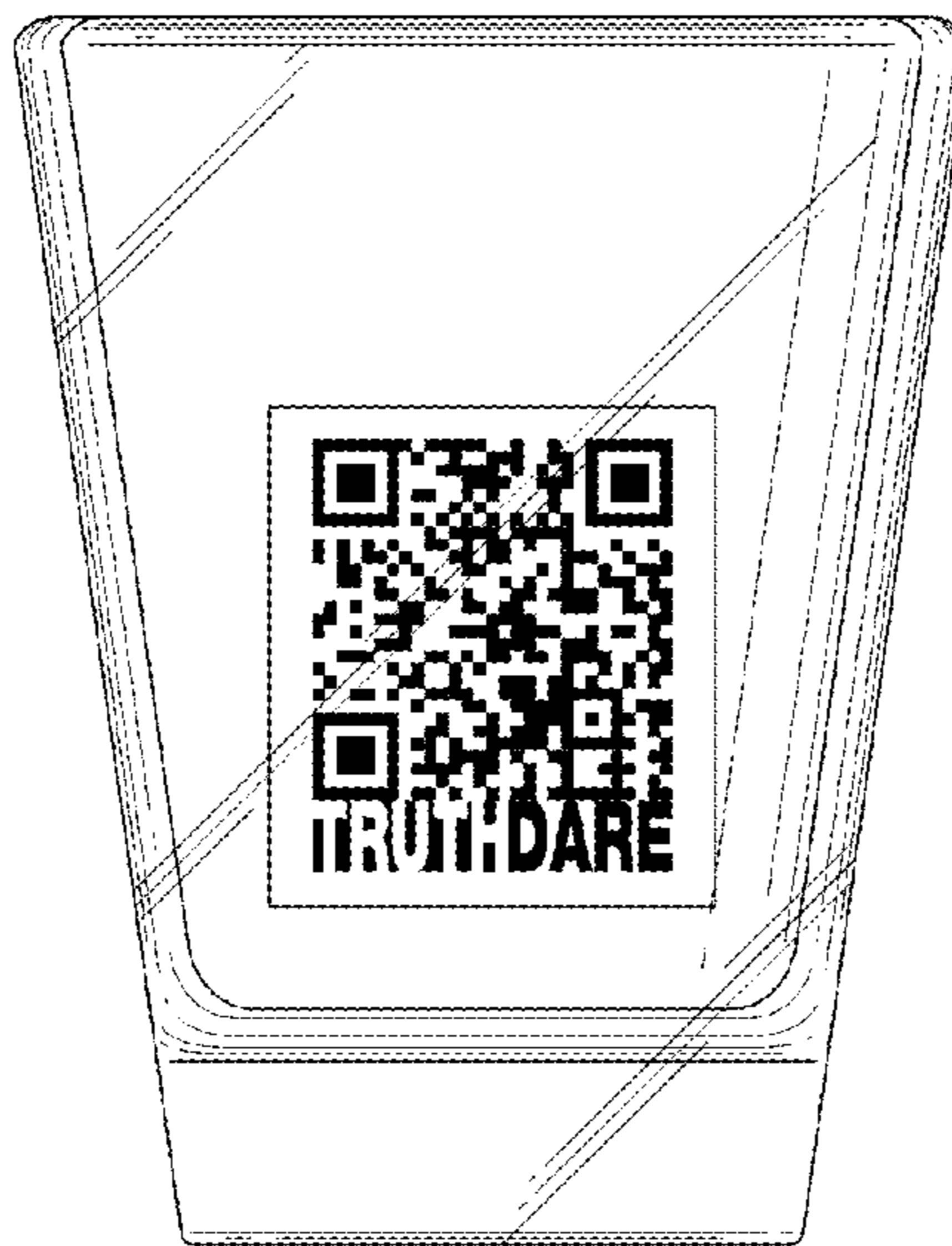
(57) **CLAIM**

The ornamental design for a shot glass, as shown and described.

DESCRIPTION

FIG. 1 is front view of a shot glass showing our new design; FIG. 2 is a rear view thereof; FIG. 3 is a left side view thereof; FIG. 4 is a right side view thereof; FIG. 5 is a top view thereof; FIG. 6 is a bottom view thereof; and, FIG. 7 is a top front perspective view thereof.

1 Claim, 2 Drawing Sheets



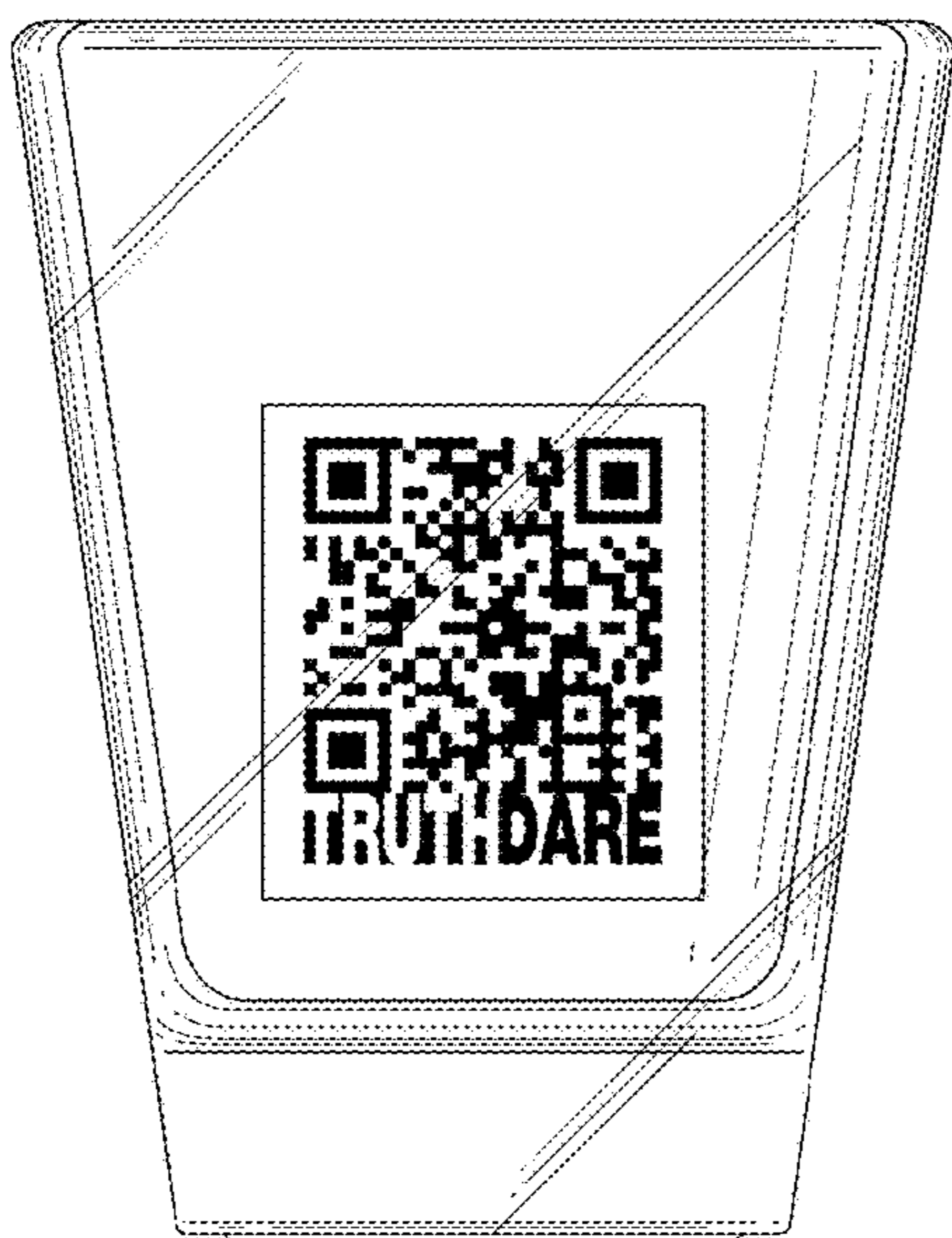


FIG. 1

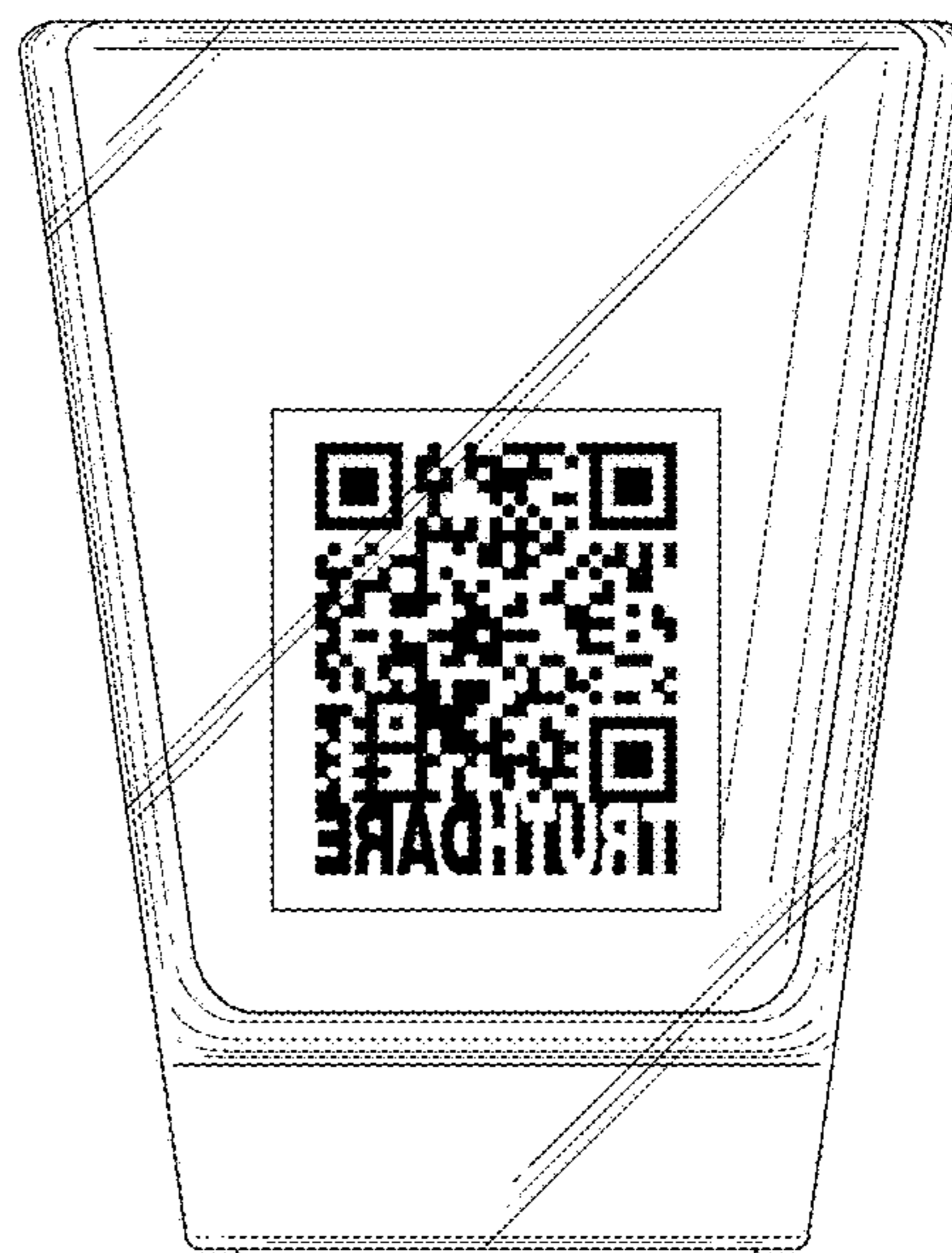


FIG. 2

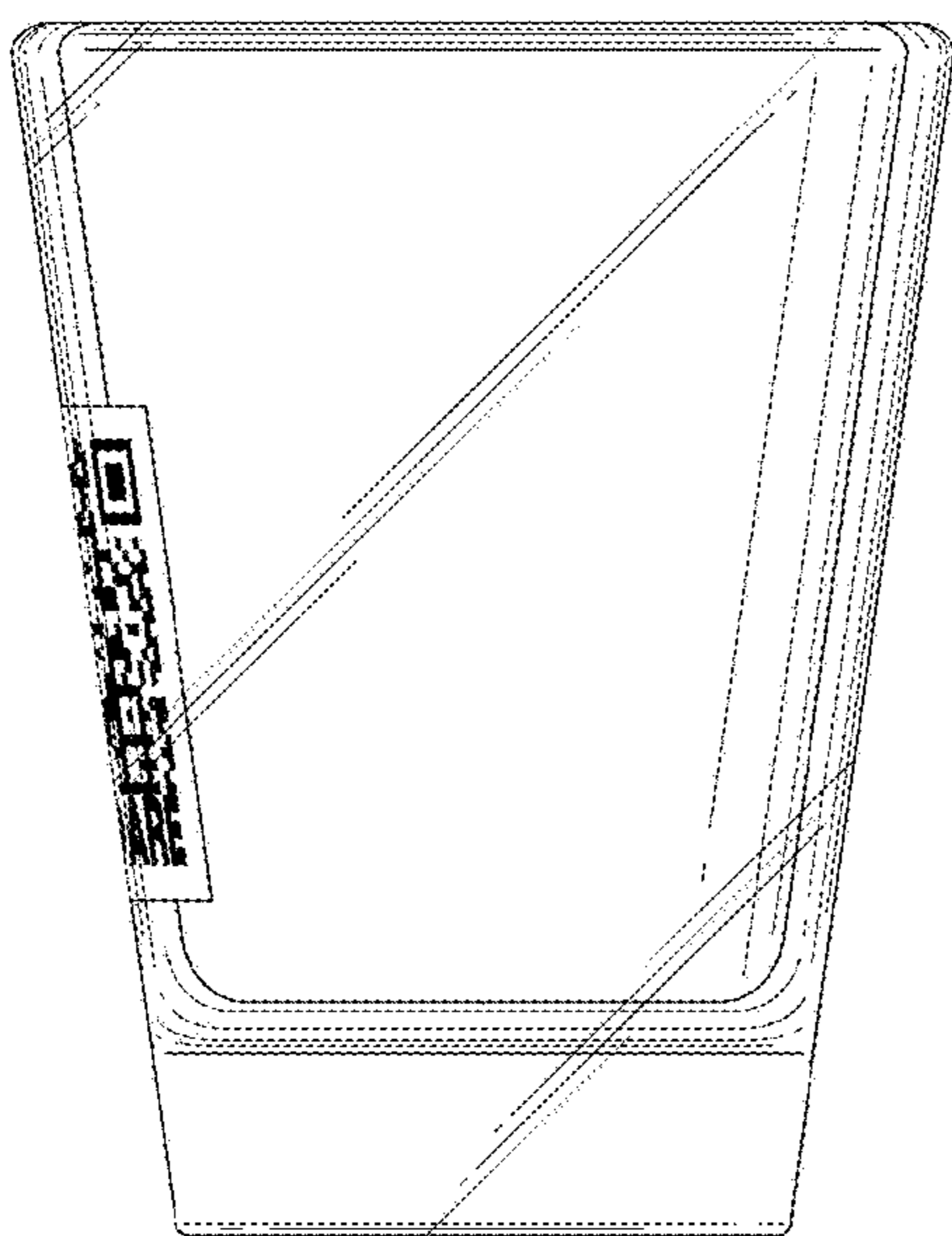


FIG. 3

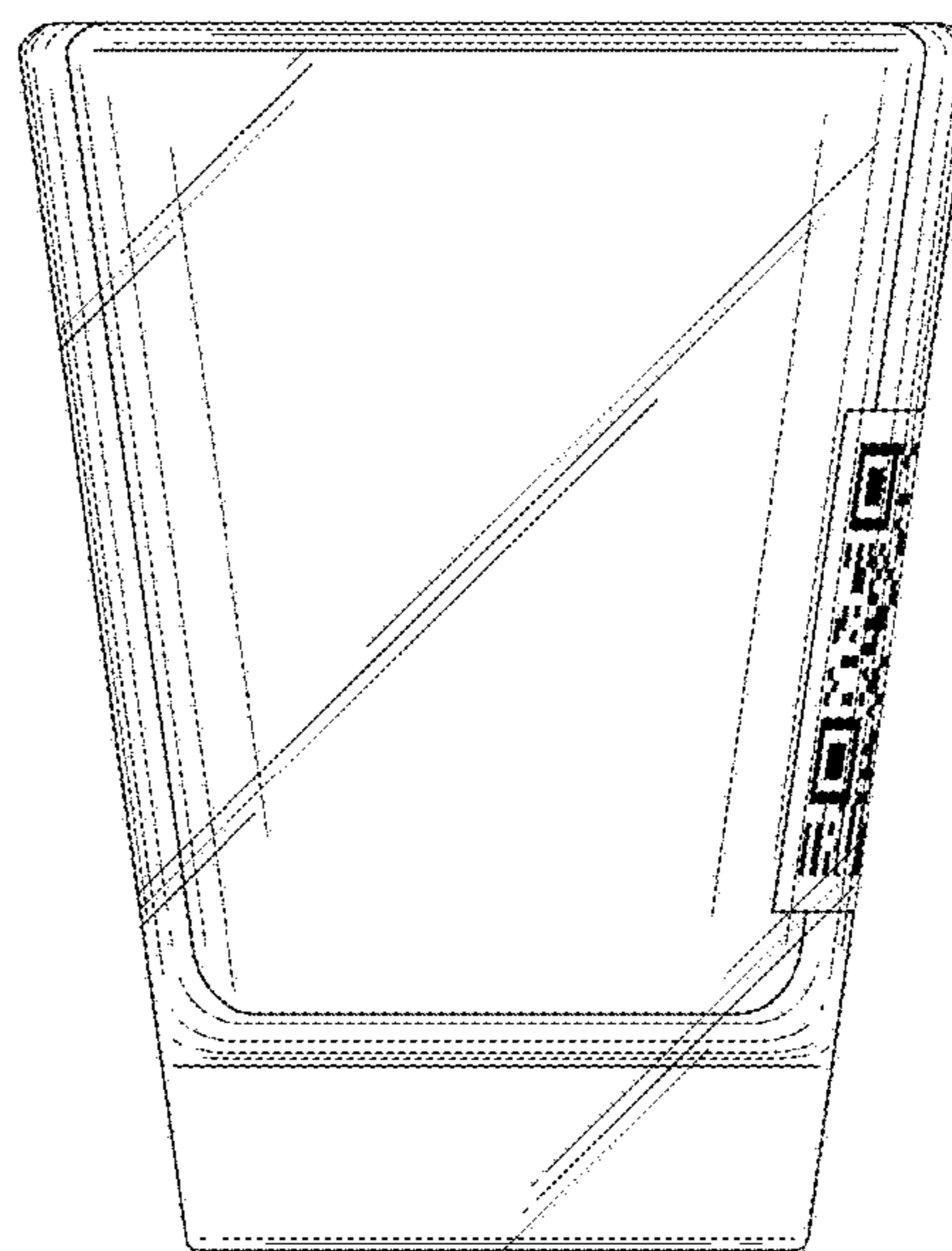


FIG. 4

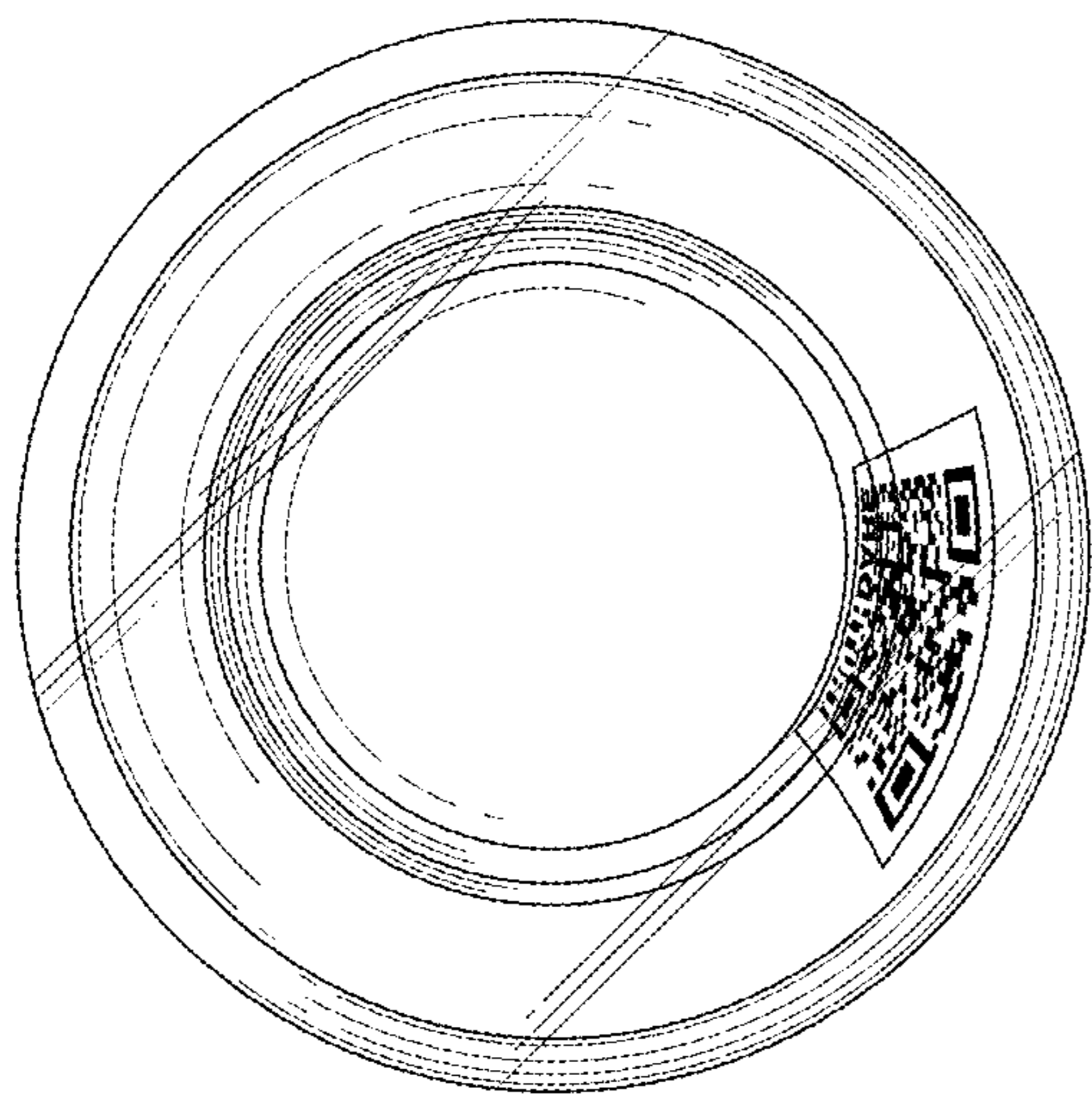


FIG. 5

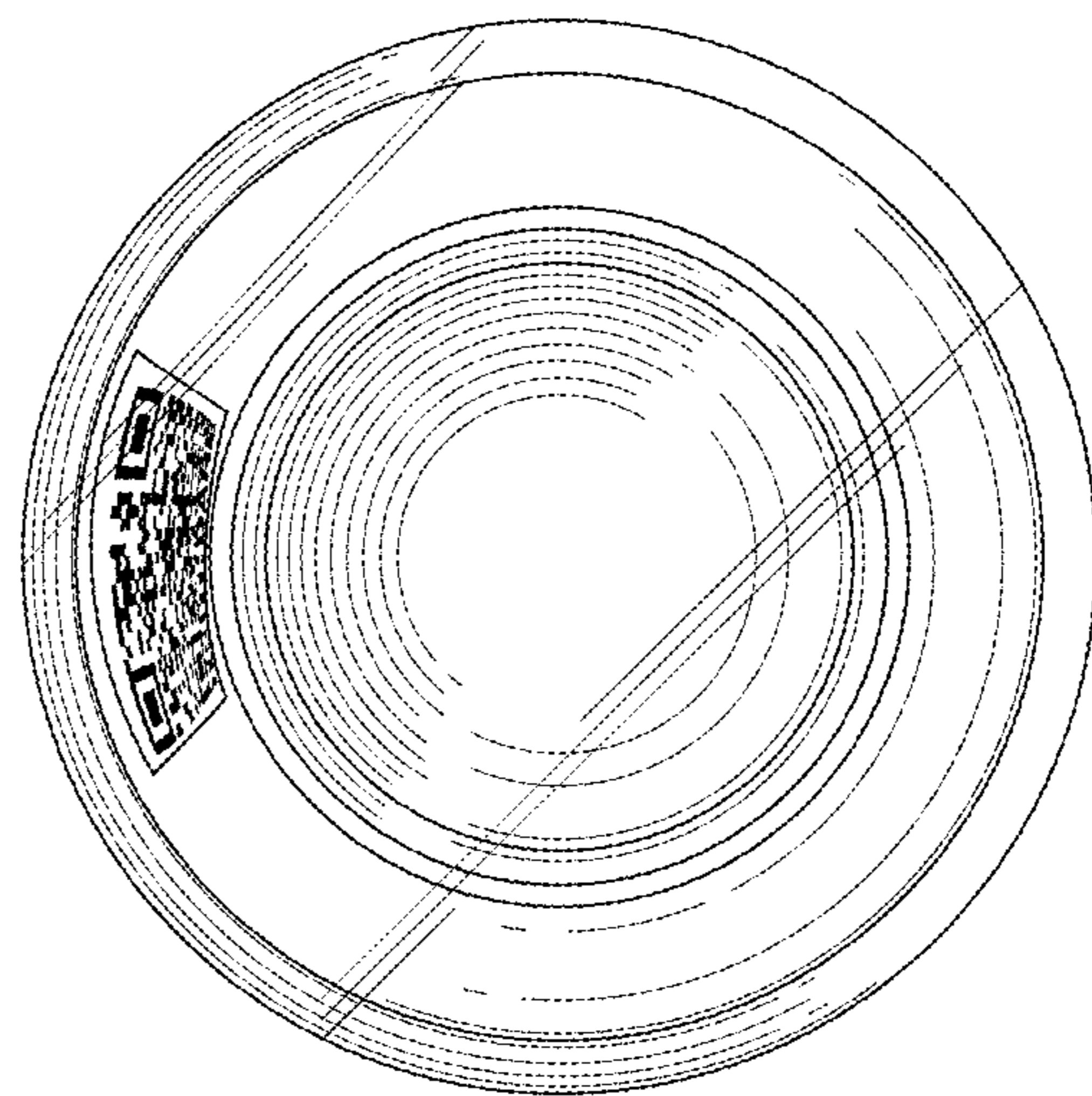


FIG. 6

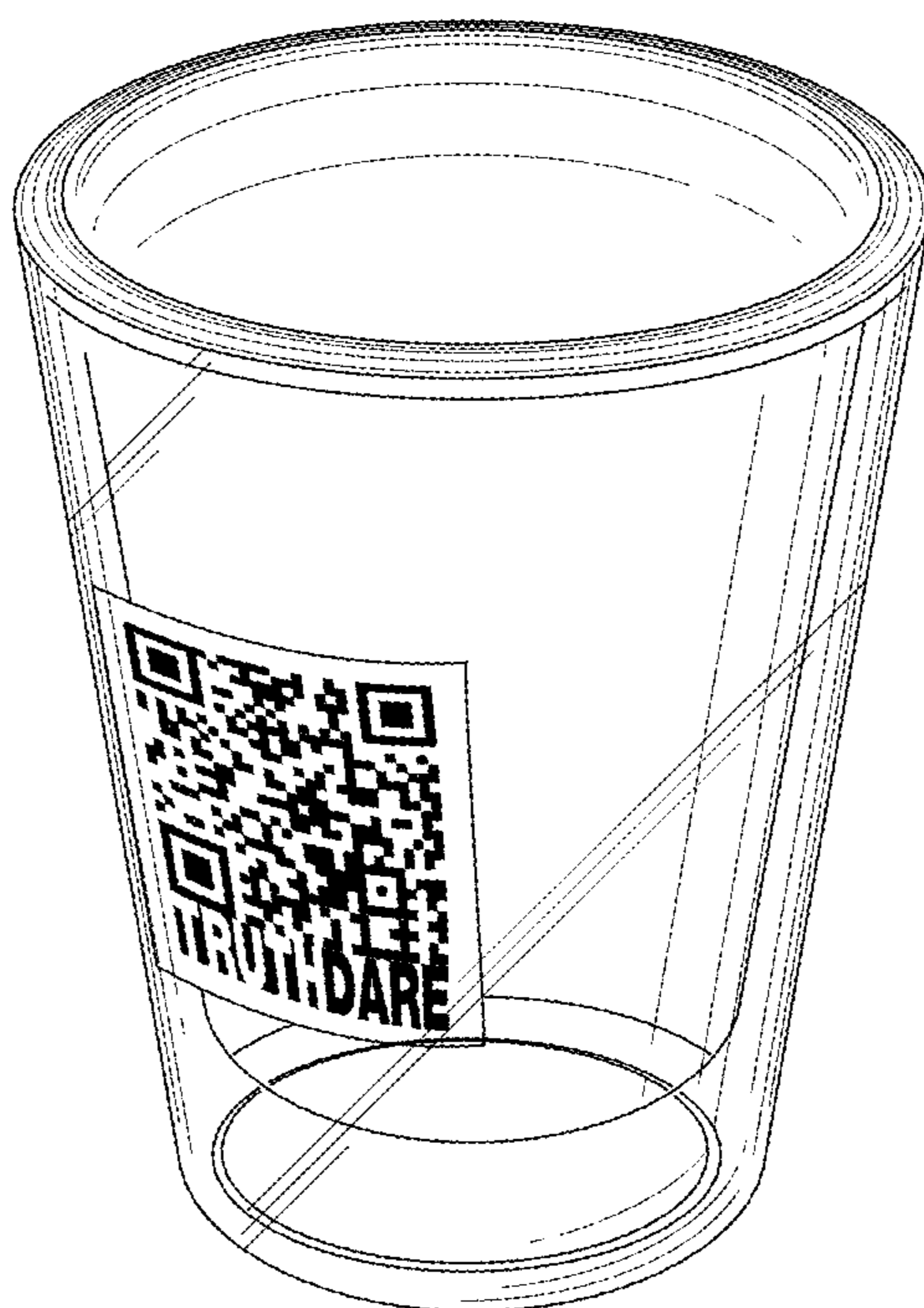


FIG. 7