



US00D799266S

(12) **United States Design Patent** (10) **Patent No.:** **US D799,266 S**
Schroedter et al. (45) **Date of Patent:** **** Oct. 10, 2017**

(54) **COMBINED MODULAR DRINK AND STORAGE BOTTLE**

(74) *Attorney, Agent, or Firm* — Keating & Bennett, LLP

(71) Applicant: **Easy Go Dispenser, LLC**, Chicago, IL (US)

(57) **CLAIM**

The ornamental design for a combined modular drink and storage bottle, as shown and described.

(72) Inventors: **Blake Schroedter**, Chicago, IL (US);
Tony Genovese, Chicago, IL (US);
Michael Pett, Chicago, IL (US)

DESCRIPTION

(73) Assignee: **EASY GO DISPENSER, LLC**, Chicago, IL (US)

FIG. 1 is a top front right perspective view of a combined modular drink and storage bottle, showing our new design fully assembled.

(**) Term: **15 Years**

FIG. 2 is a top front right perspective exploded view thereof, showing the lid with flip-top covered spout, the collapsible cup, the small storage module, and the two large storage modules separated for clarity of disclosure.

(21) Appl. No.: **29/531,118**

FIG. 3 is a top front right perspective view of the lid with flip-top covered spout of FIG. 2, shown separately for clarity of disclosure;

(22) Filed: **Jun. 23, 2015**

FIG. 4 is a left side elevation view thereof;

(51) **LOC (10) Cl.** **07-01**

FIG. 5 is a right side elevation view thereof;

(52) **U.S. Cl.**

USPC **D7/507**; D7/510; D7/532

FIG. 6 is a rear elevation view thereof;

(58) **Field of Classification Search**

USPC D24/127, 128, 193, 194, 196, 197, 198, D24/199, 207; D9/444, 447, 516, 530,

FIG. 7 is a front elevation view thereof;

(Continued)

FIG. 8 is a top plan view thereof;

(56) **References Cited**

U.S. PATENT DOCUMENTS

D410,364 S * 6/1999 Ramirez D7/507
D532,650 S * 11/2006 de Groote D7/392

(Continued)

FIG. 9 is a bottom plan view thereof.

FIG. 10 is a top front side perspective view of a collapsible cup of FIG. 2, shown separately for clarity of disclosure;

FIG. 11 is a side elevation view thereof;

FIG. 12 is a top plan view thereof;

FIG. 13 is a bottom plan view thereof.

FIG. 14 is a top front side perspective view of the middle fixing portion of FIG. 2, shown separately for clarity of disclosure;

FIG. 15 is a side elevation view thereof;

FIG. 16 is a top plan view thereof;

FIG. 17 is a bottom plan view thereof.

FIG. 18 is a top front side perspective view of the small storage module of FIG. 2, comprised of a top fixing portion and a small bottom storage portion, shown separately for clarity of disclosure;

FIG. 19 is a side elevation view thereof;

FIG. 20 is a top plan view thereof;

FIG. 21 is a bottom plan view thereof.

(Continued)

“EasyGo Baby Formula Dispenser”. Found online Feb. 3, 2017 at thriftniftymommy.com. Page dated Feb. 4, 2014. Retrieved from <http://thriftniftymommy.com/2014/02/easygo-baby-formula-dispenser-giveaway-babyguide2014.html>.*

(Continued)

Primary Examiner — Robert M Spear
Assistant Examiner — Kendra L Hamilton

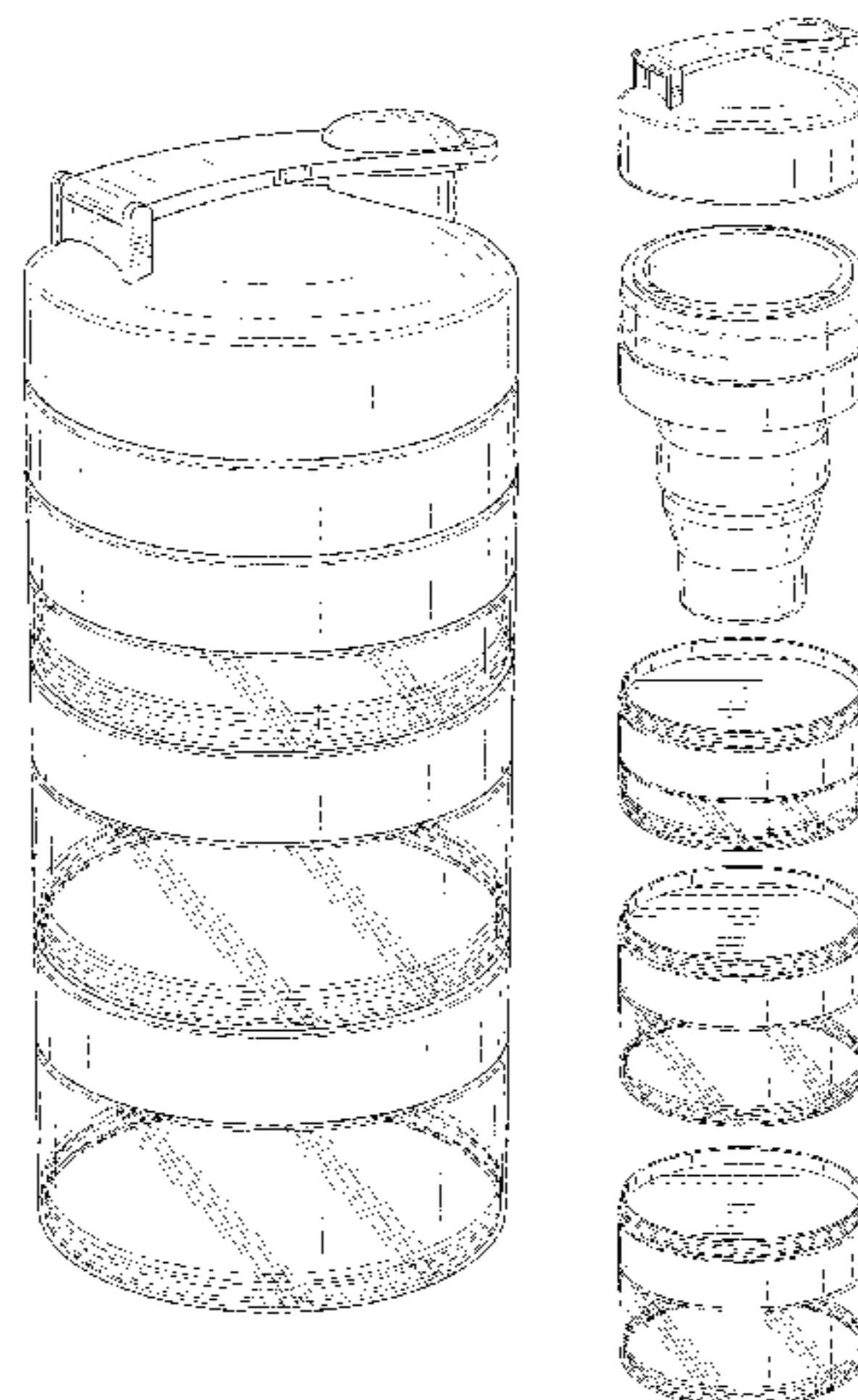


FIG. 22 is a top front side perspective view of the top fixing portion of FIG. 2, shown separately for clarity of disclosure; FIG. 23 is a side elevation view thereof; FIG. 24 is a top plan view thereof; FIG. 25 is a bottom plan view thereof. FIG. 26 is a top front side perspective view of the bottom storage portion of FIG. 18, shown separately for clarity of disclosure; FIG. 27 is a side elevation view thereof; FIG. 28 is a top plan view thereof; FIG. 29 is a bottom plan view thereof. FIG. 30 is a top front side perspective view of the large bottom storage portion of FIG. 2, shown separately for clarity of disclosure; FIG. 31 is a side elevation view thereof. FIG. 32 is a top front side perspective view of the large storage module of FIG. 2, comprised of a top fixing portion and a large bottom storage portion, shown separately for clarity of disclosure; FIG. 33 is a side elevation view thereof; FIG. 34 is a top plan view thereof; and, FIG. 35 is a bottom plan view thereof. The broken line in the drawing views is included to show unclaimed subject matter only and forms no part of the claimed design.

1 Claim, 19 Drawing Sheets

(58) **Field of Classification Search**

USPC D9/719, 761; D7/392, 505, 507, 513, D7/510, 523; 220/227, 235, 694, 703, 220/714, 722, 727, 735, 745; 215/11.1, 215/11.2, 11.3, 11.4, 11.5, 11.6, 41; 606/236

CPC B65D 21/0201; B65D 2217/04; B65D 2590/0008

See application file for complete search history.

(56) **References Cited**

U.S. PATENT DOCUMENTS

D627,894	S *	11/2010	Sirota	D24/197
D647,369	S *	10/2011	Bryman	D7/507
D683,590	S *	6/2013	Austin	D7/510
9,216,843	B2 *	12/2015	Sorensen	B65D 21/0228
D751,344	S *	3/2016	Charlton	D7/531
2011/0024537	A1 *	2/2011	Gonzalez	A47J 43/046 241/101.2
2014/0061145	A1 *	3/2014	Harris	A61J 9/00 215/6
2015/0217900	A1 *	8/2015	Poulin	A61J 9/005 215/11.1
2016/0067146	A1 *	3/2016	Zhou	A61J 11/0085 215/11.5
2016/0089306	A1 *	3/2016	Chee	A61J 9/00 215/11.1
2017/0113836	A1 *	4/2017	Labedzki	B65D 43/02

OTHER PUBLICATIONS

“BlenderBottle Classic Shaker Bottle”. Found online Oct. 26, 2016 at amazon.com. Page dated Jul. 19, 2004. Retrieved from <https://www.amazon.com/BlenderBottle-Classic-Shaker-Bottle-28-ounce/dp/B0018G4ZEW>.*

“Alex: Modular Reusable Drinks Bottle”. Found online Feb. 6, 2017 at stylus.com. Page dated Nov. 24, 2014. Retrieved from <http://www.stylus.com/sgqblr>.*

“Space-Saver Jar”. Found online Feb. 6, 2017 at firemountaingems.com. Page dated Oct. 25, 2012. Retrieved from <http://web.archive.org/web/20121025202354/http://www.firemountaingems.com/itemdetails/H201091PK>.*

* cited by examiner

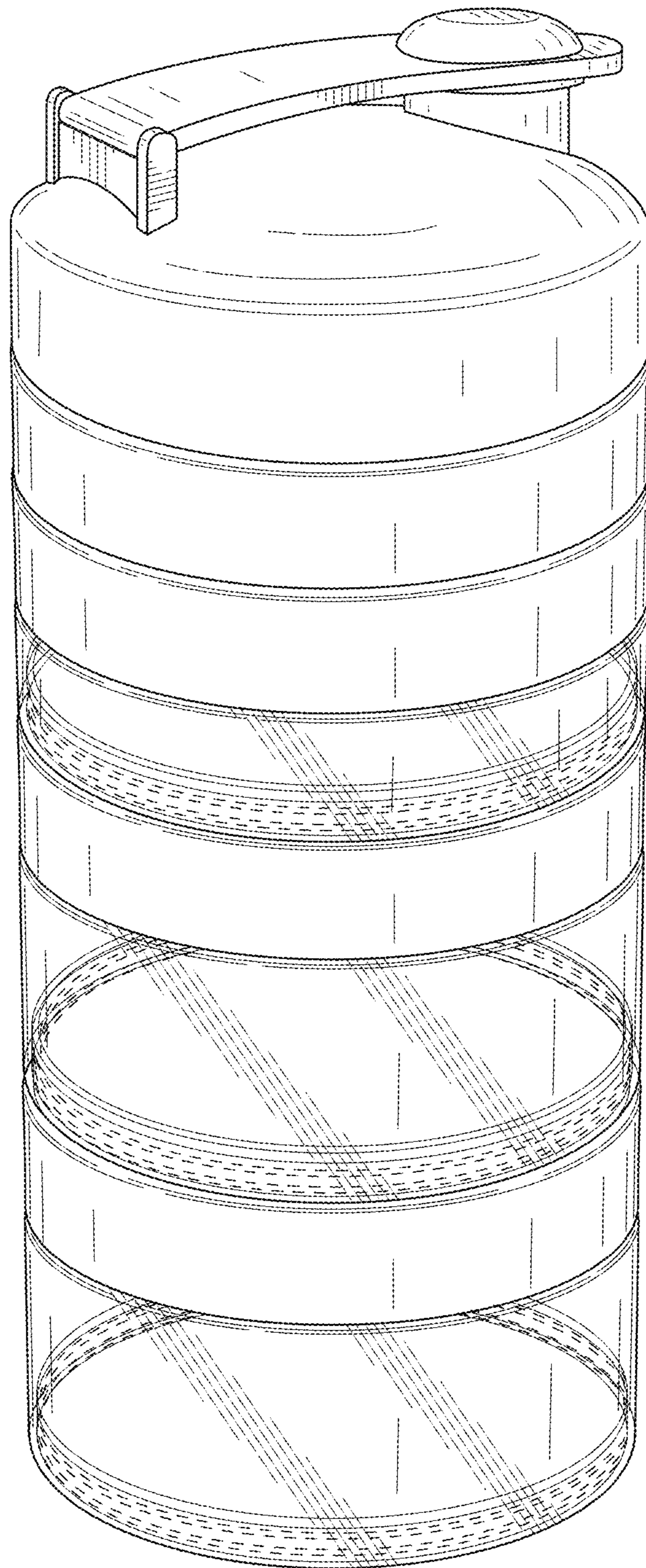


FIG. 1

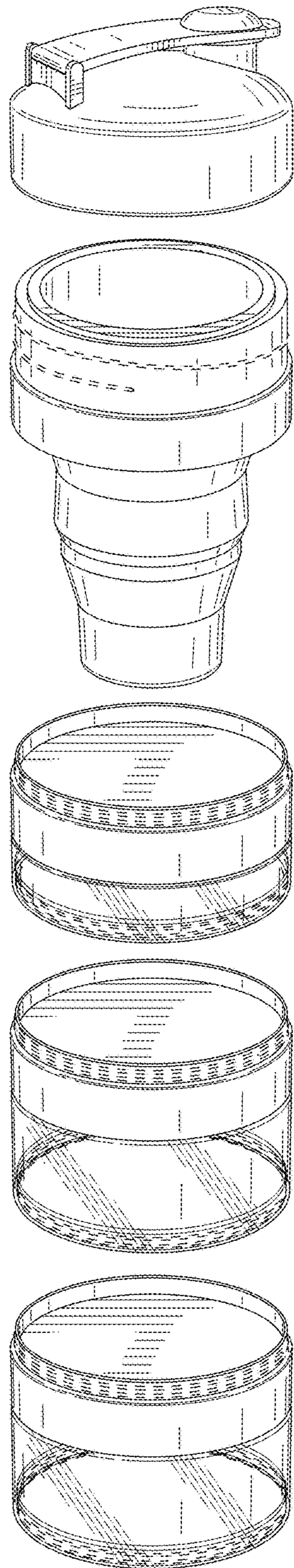


FIG. 2

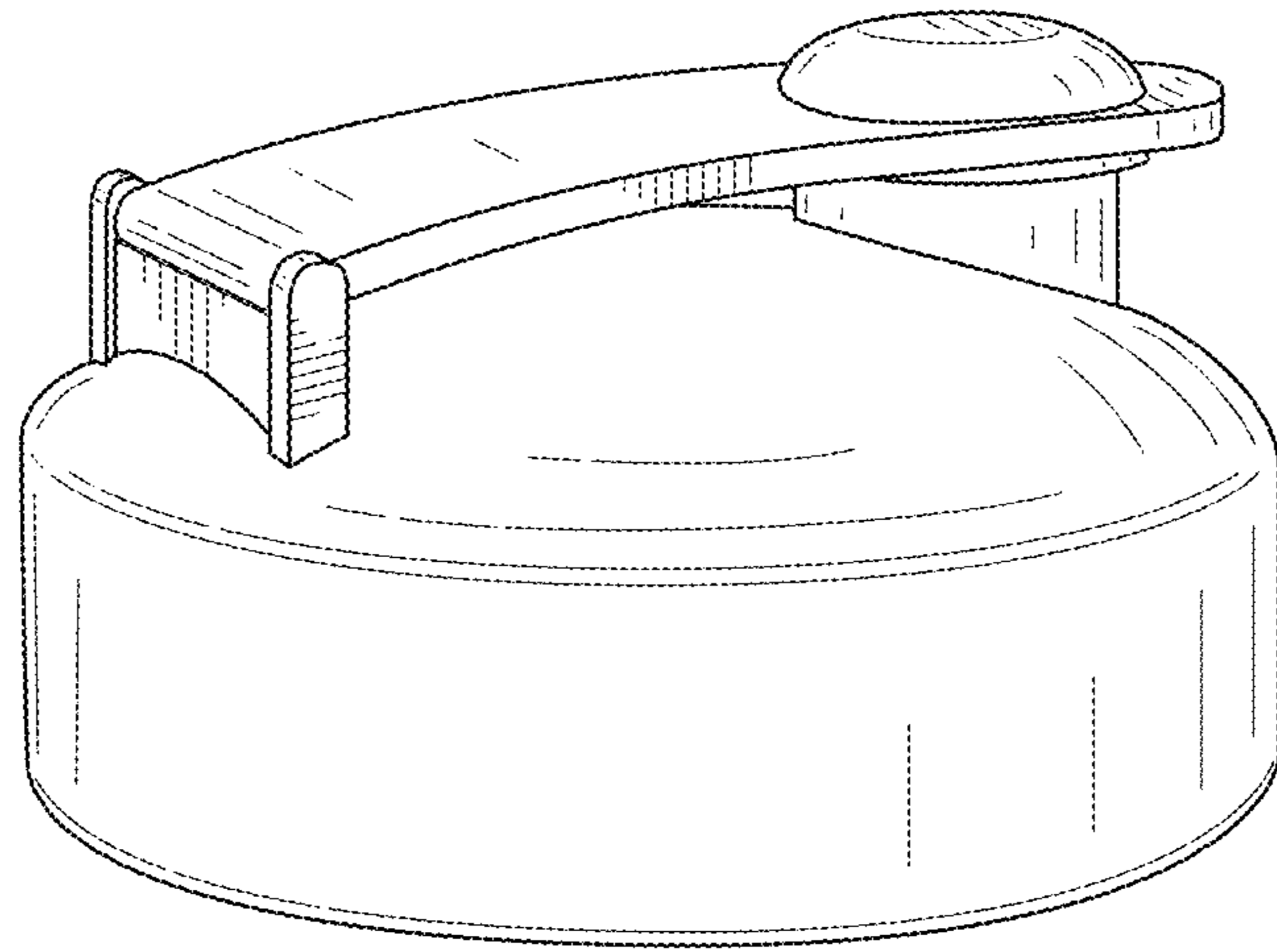


FIG. 3

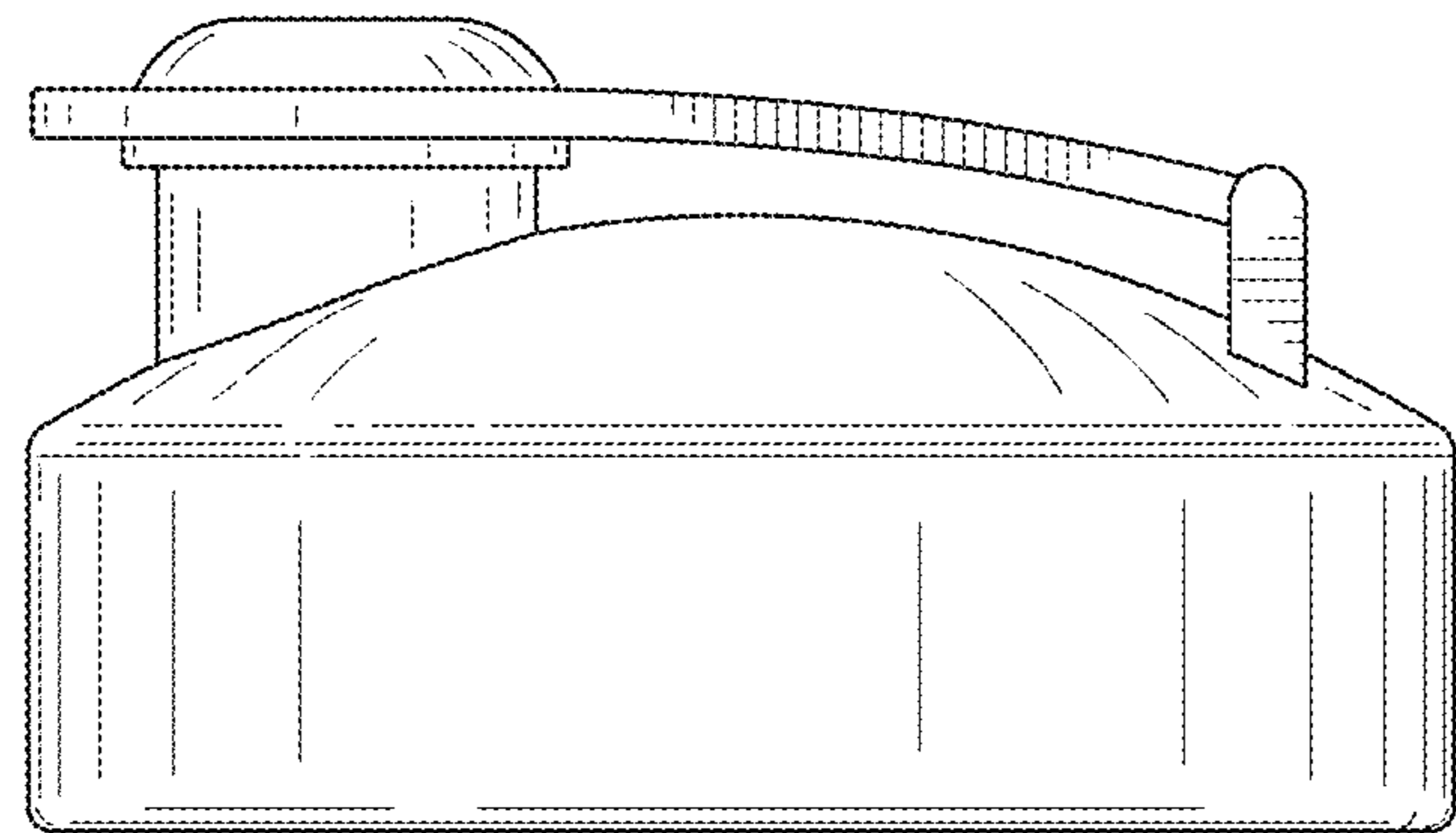


FIG. 4

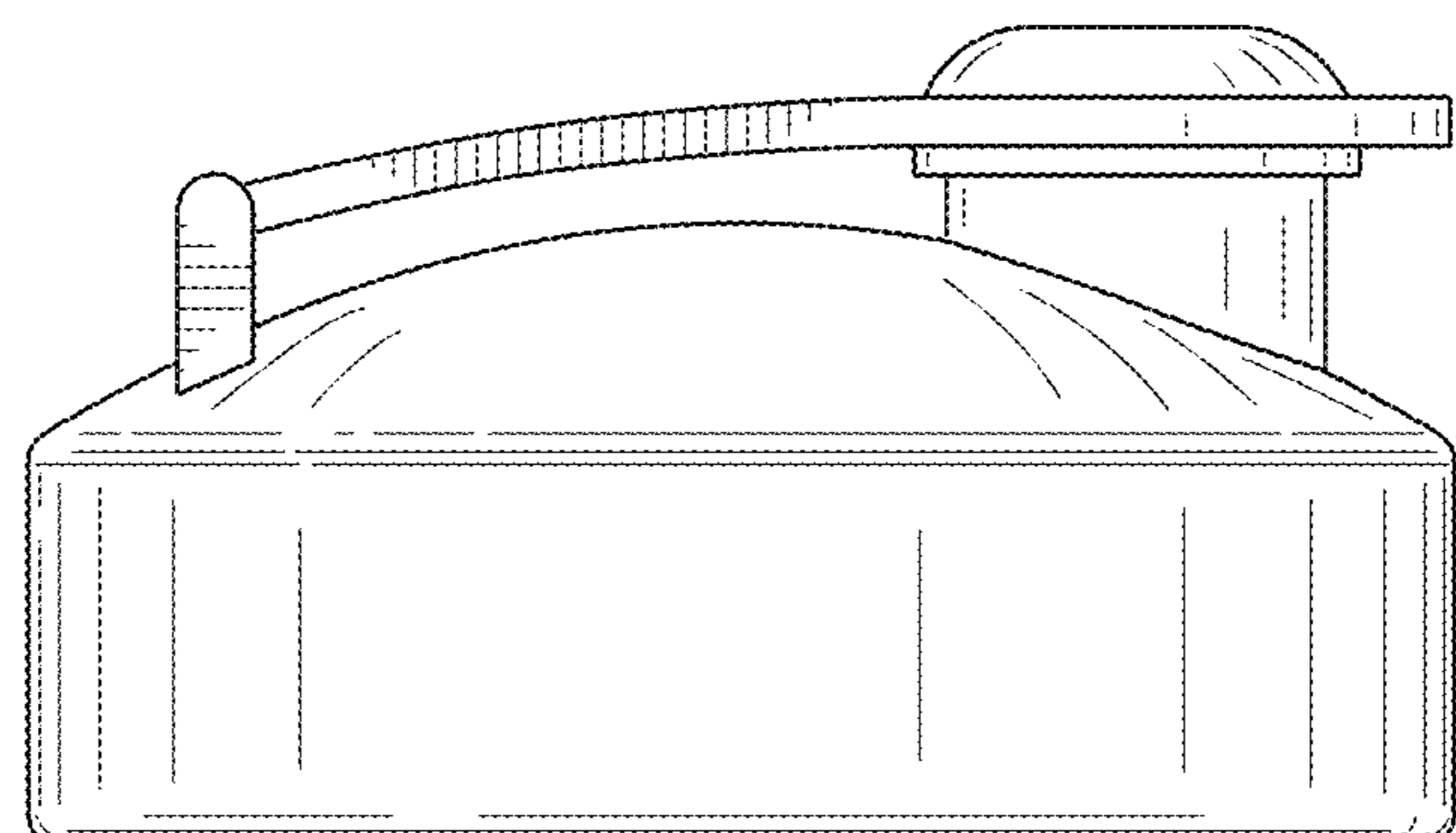


FIG. 5

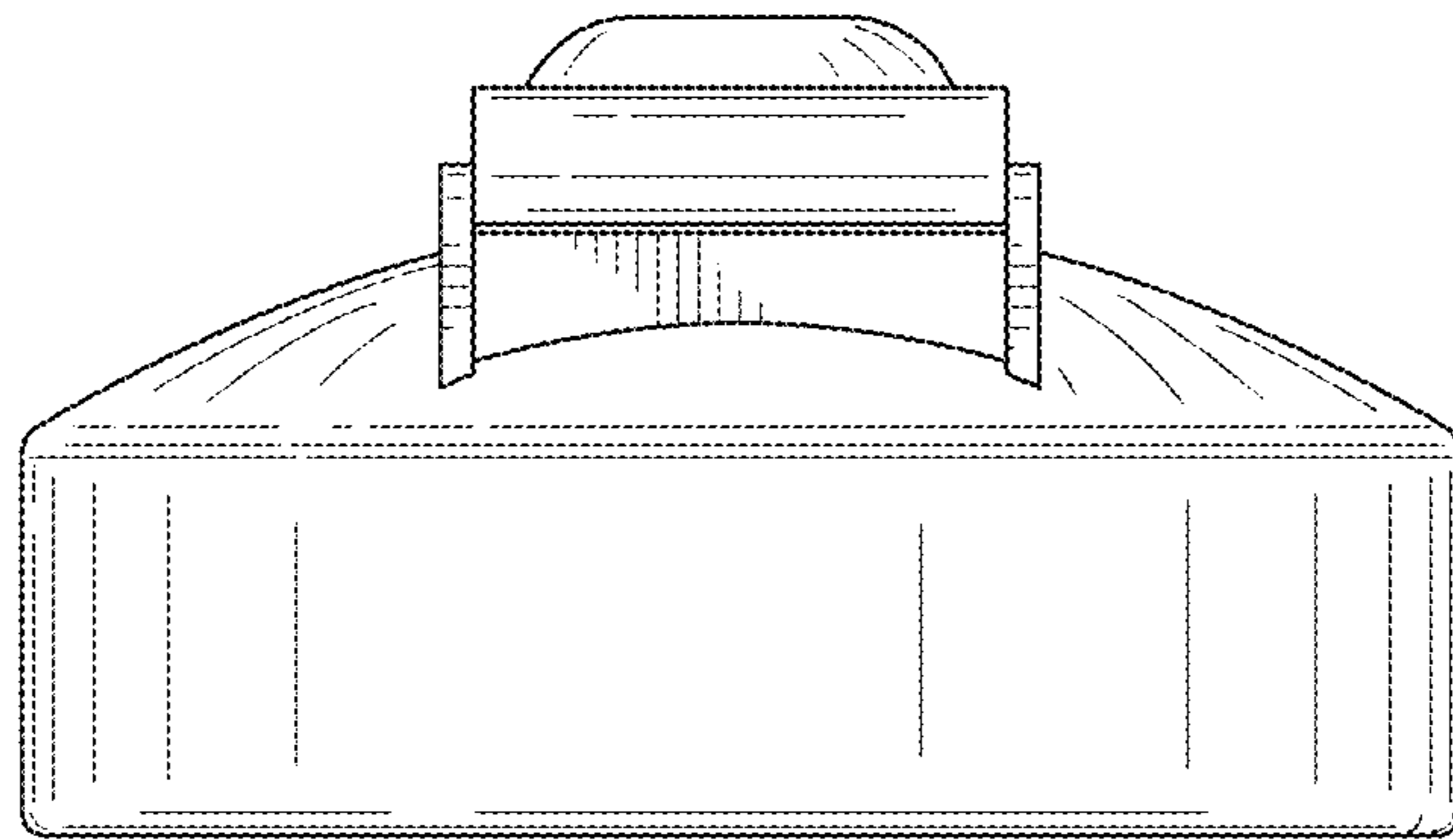


FIG. 6

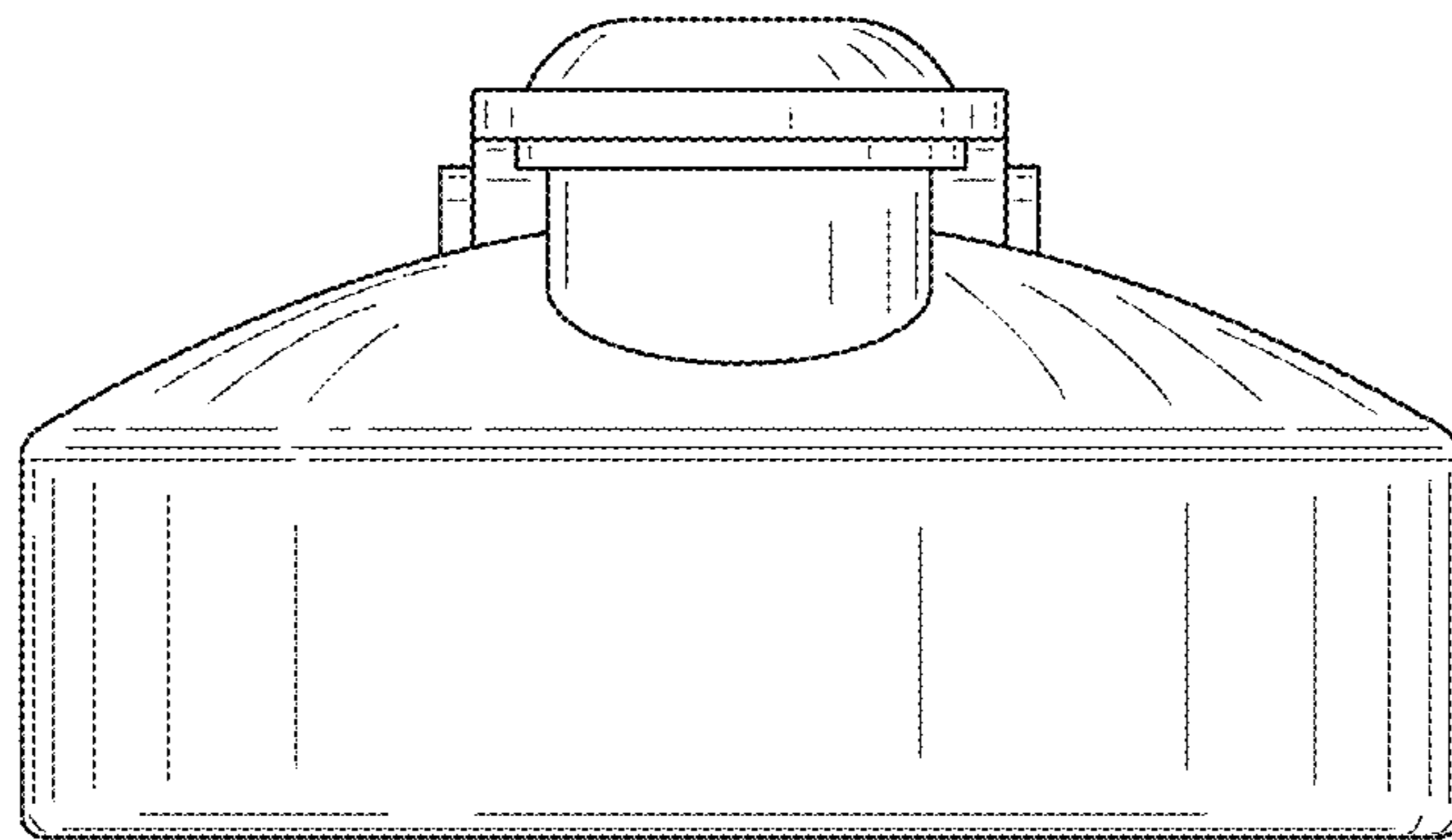


FIG. 7

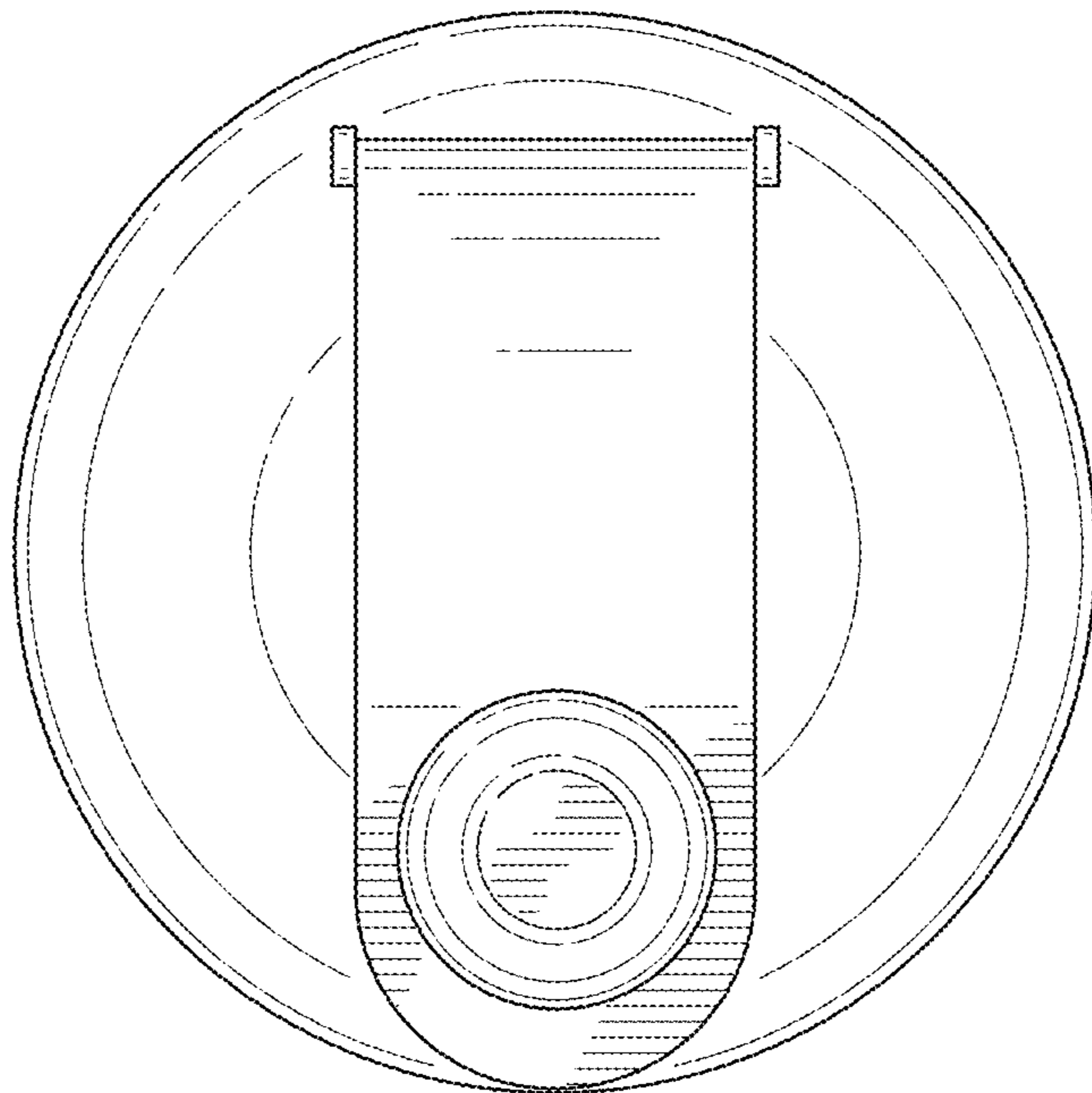


FIG. 8

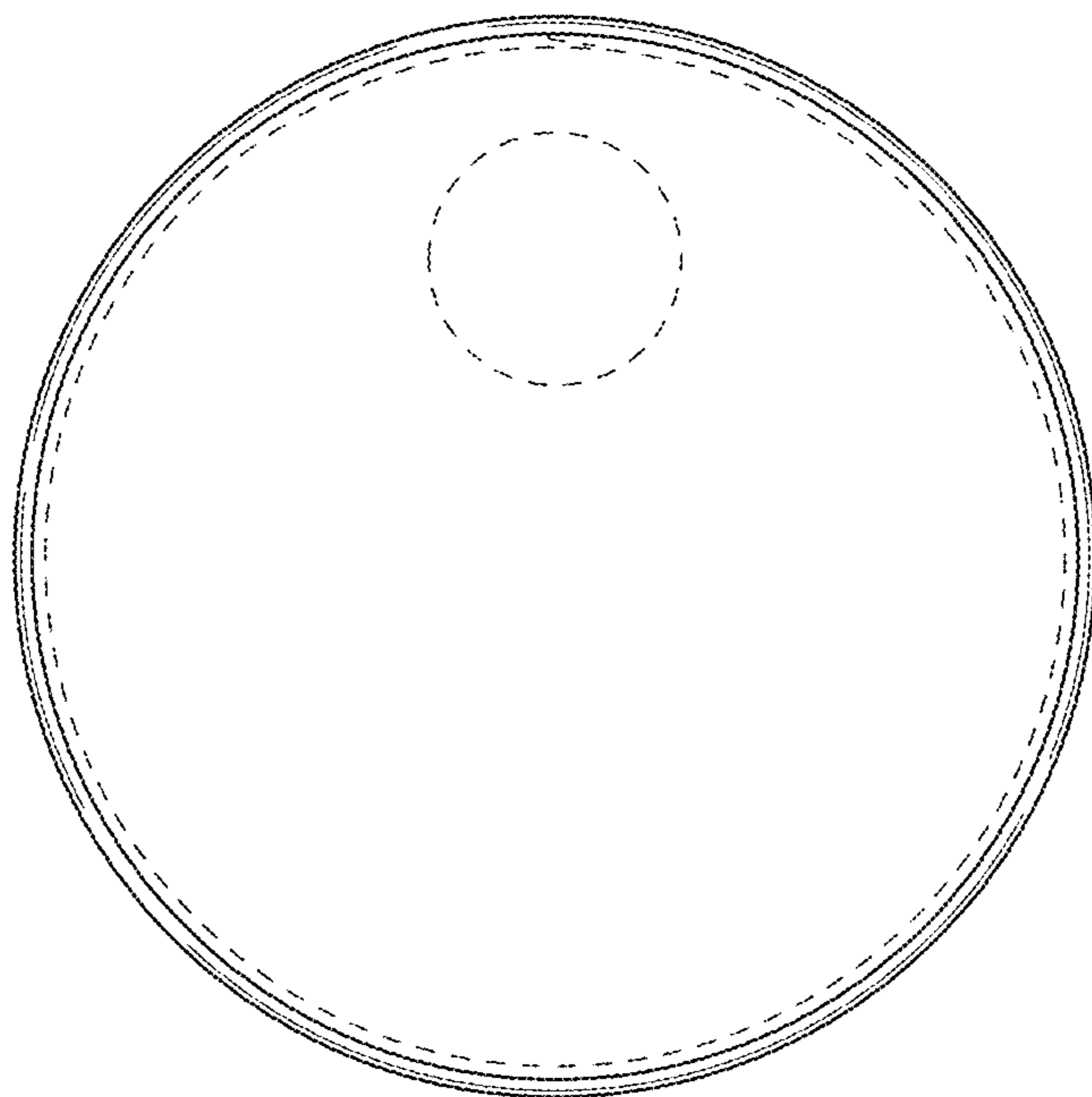


FIG. 9

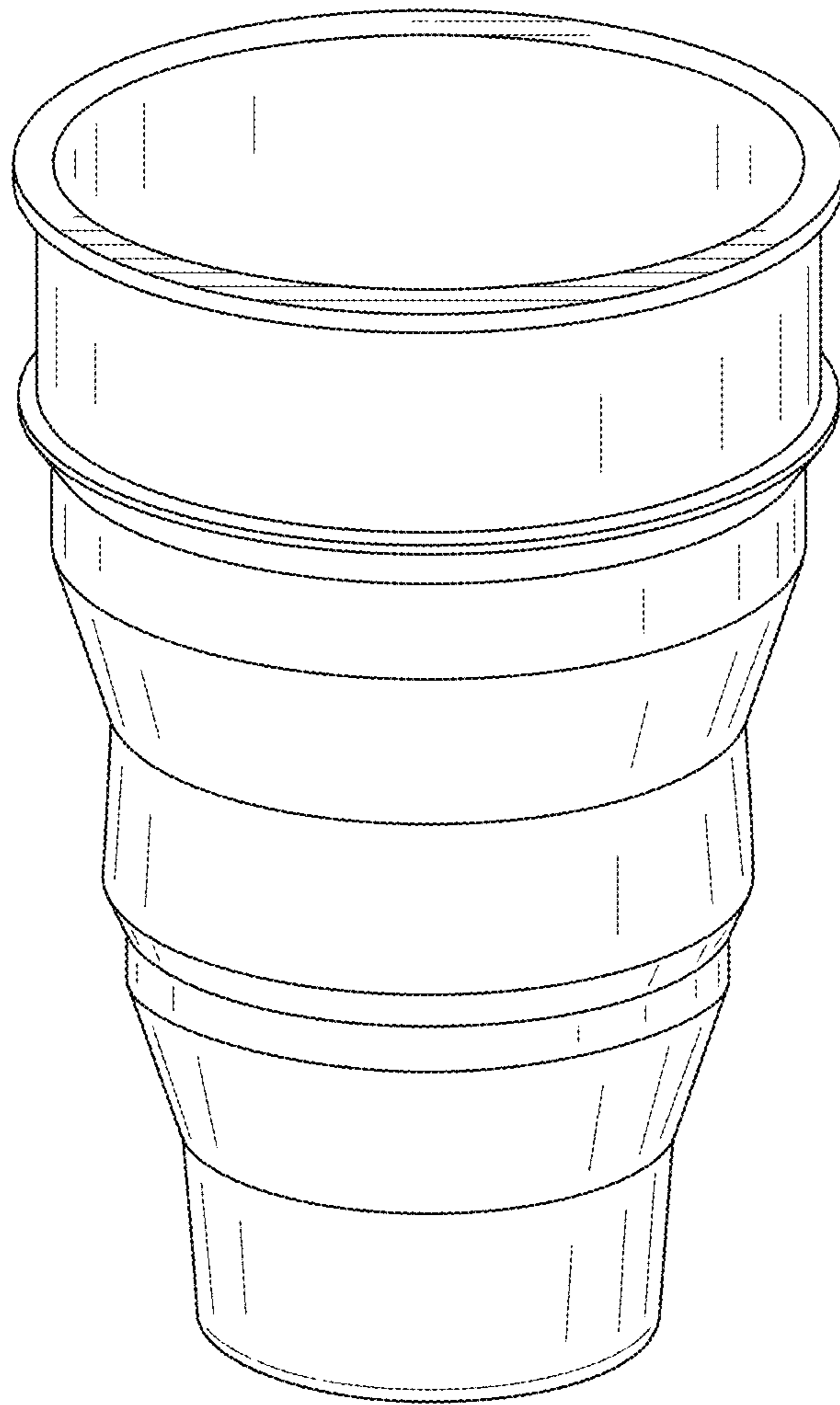


FIG. 10

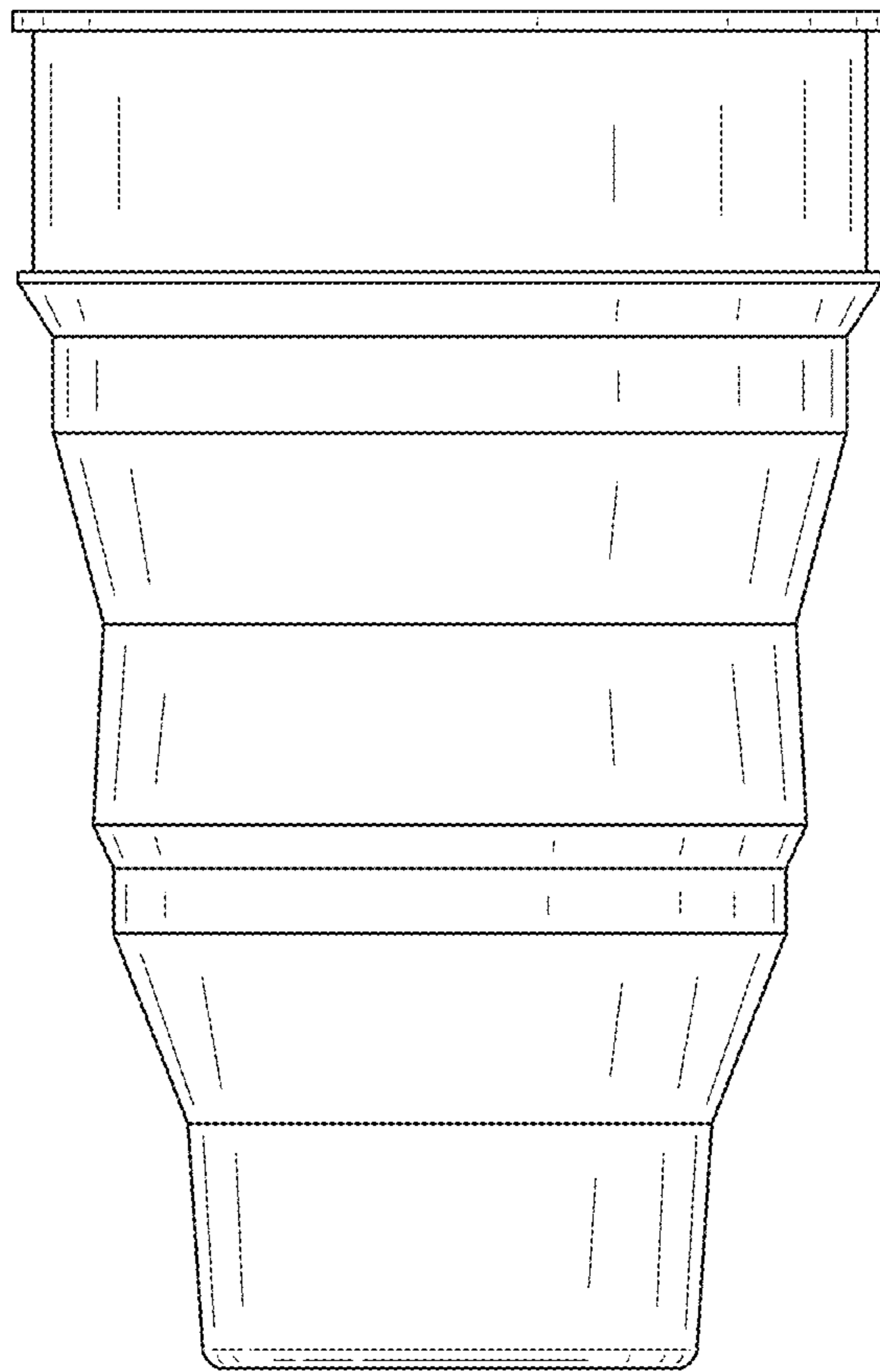


FIG. 11

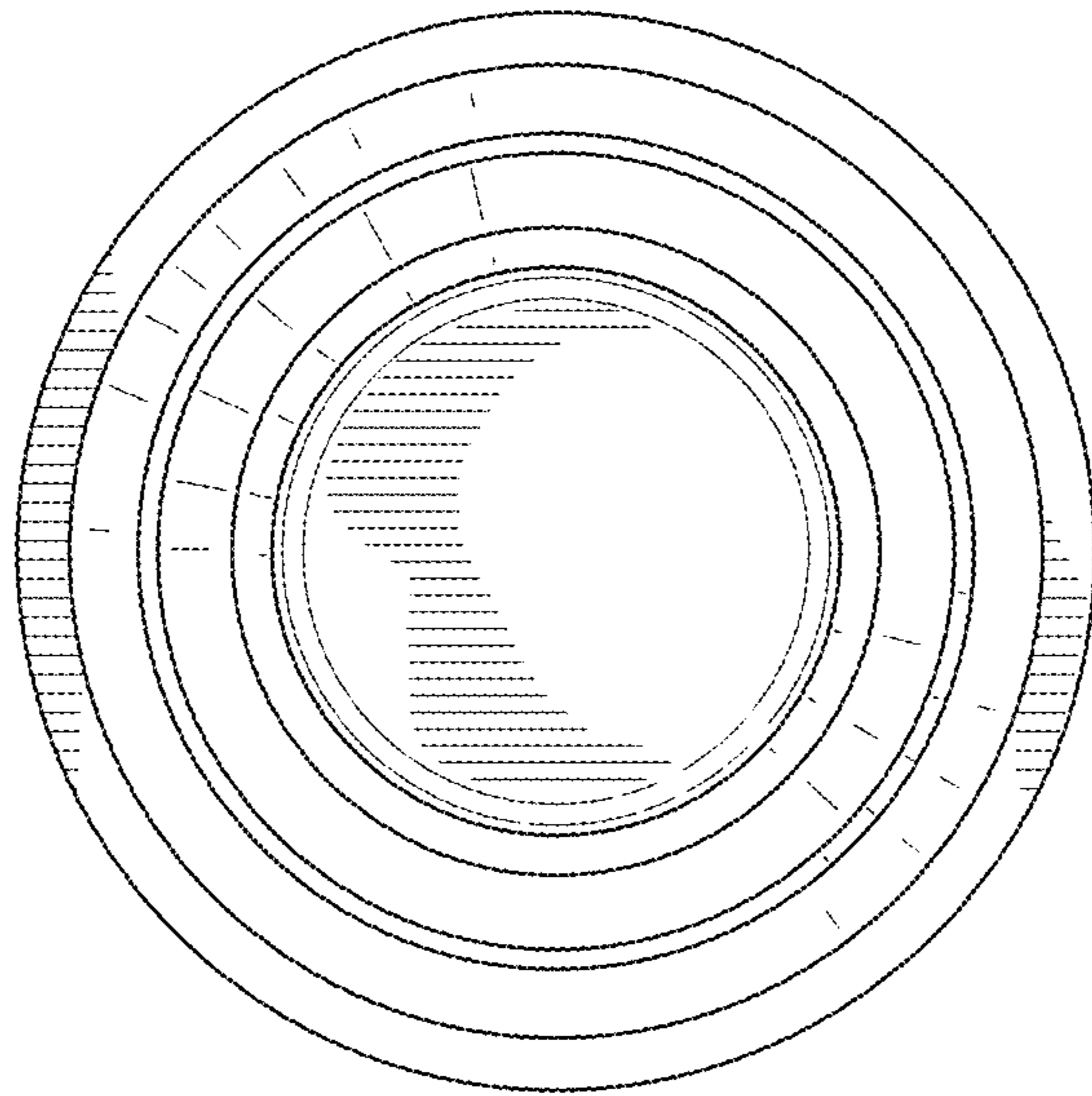


FIG. 12

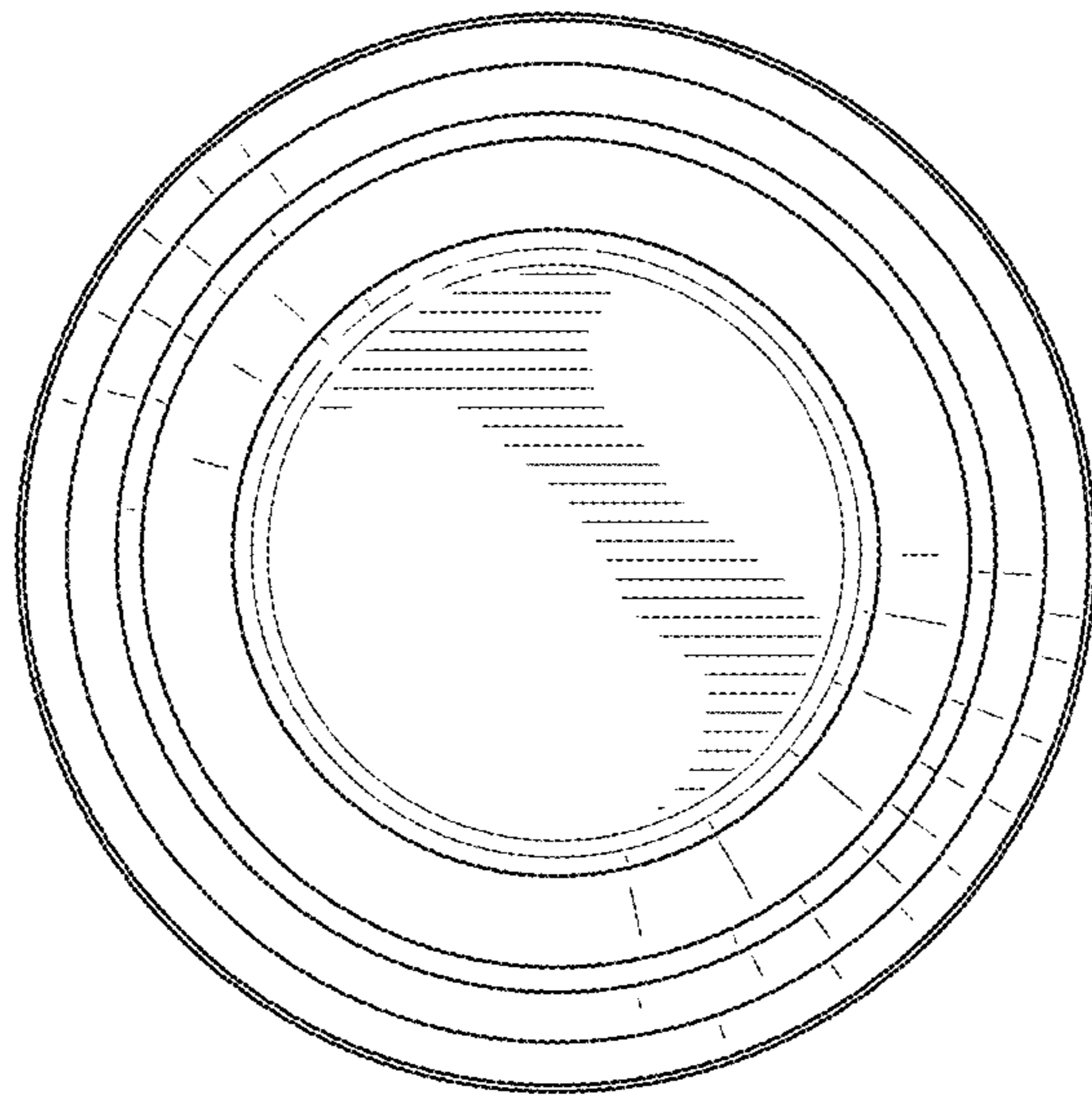


FIG. 13

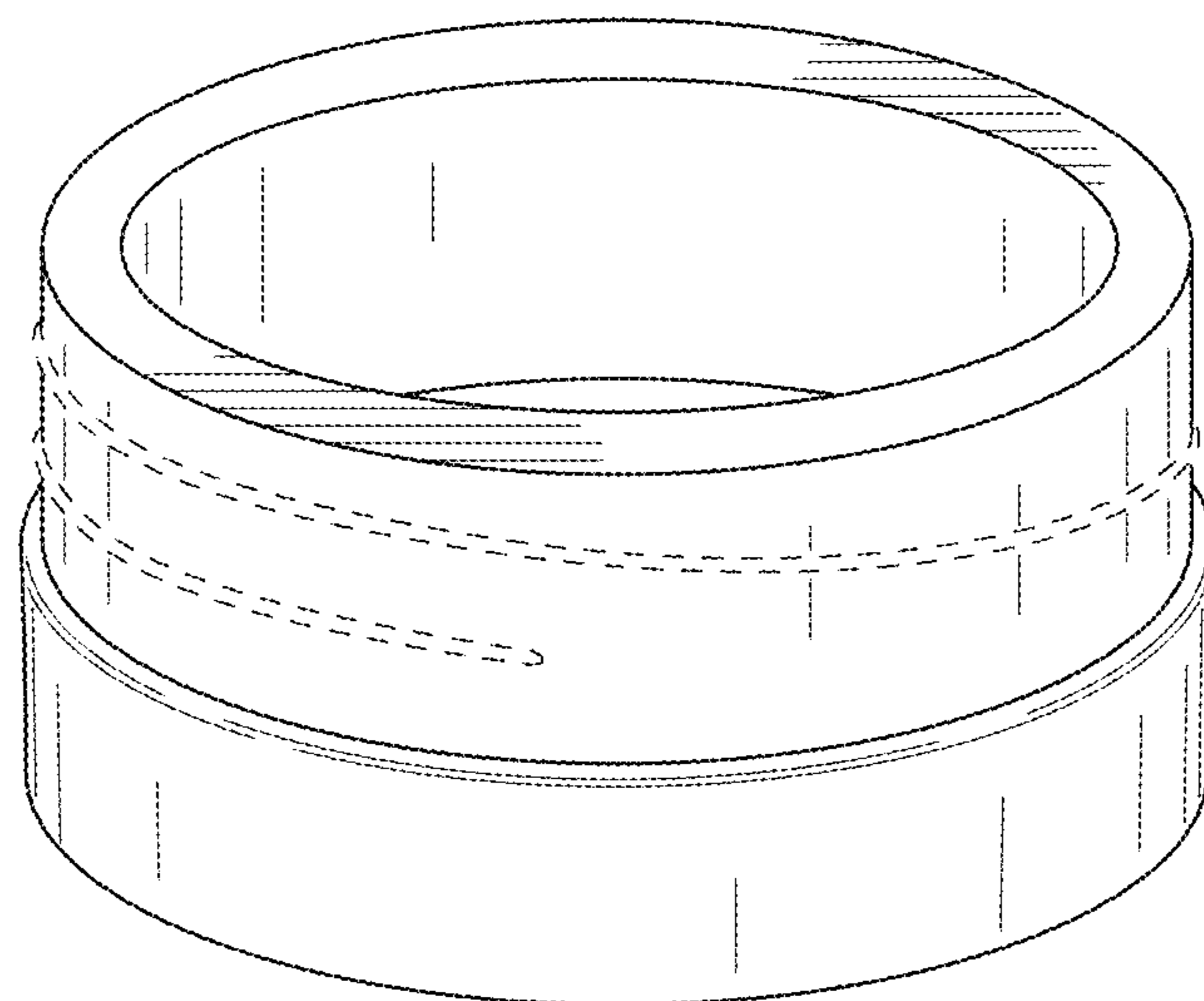


FIG. 14

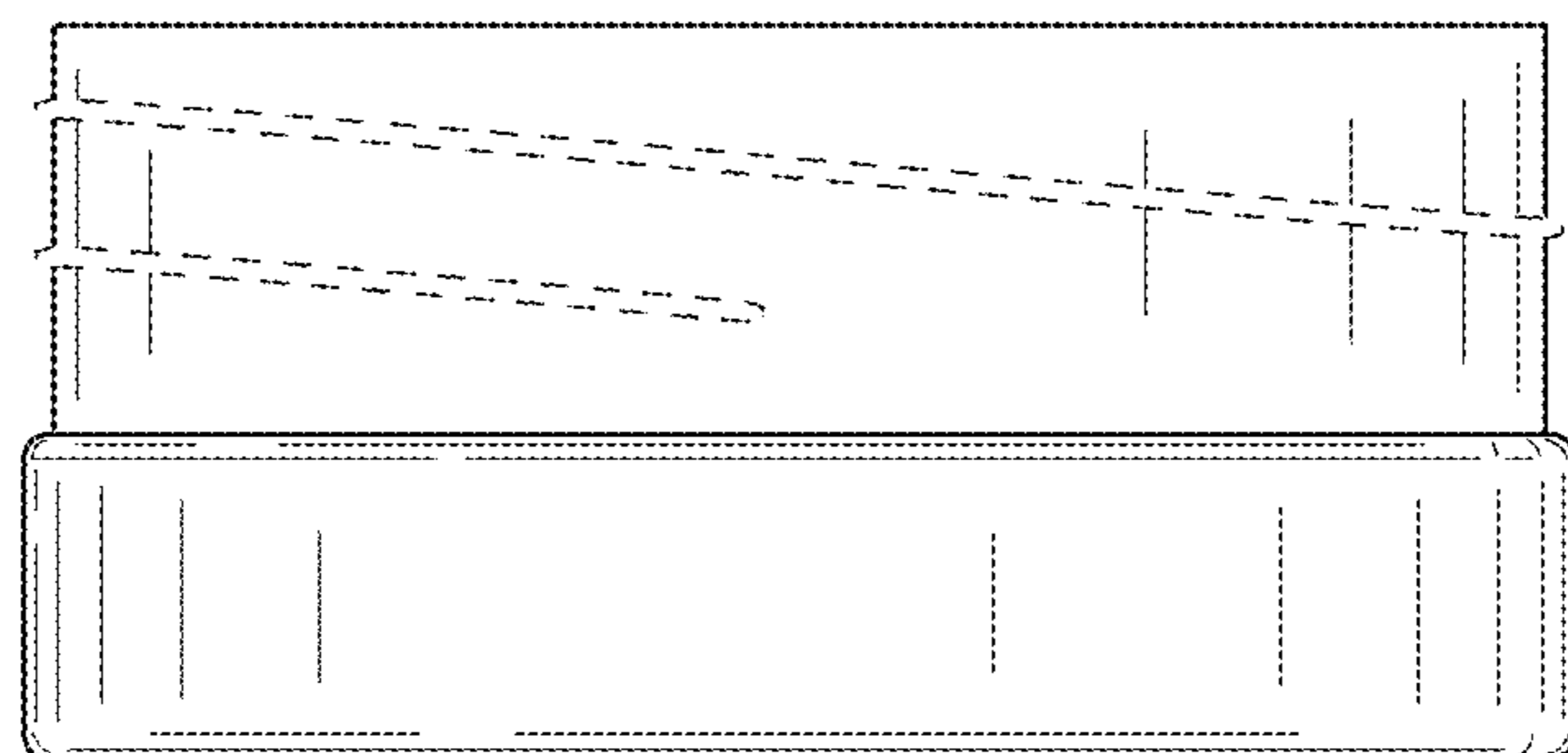


FIG. 15

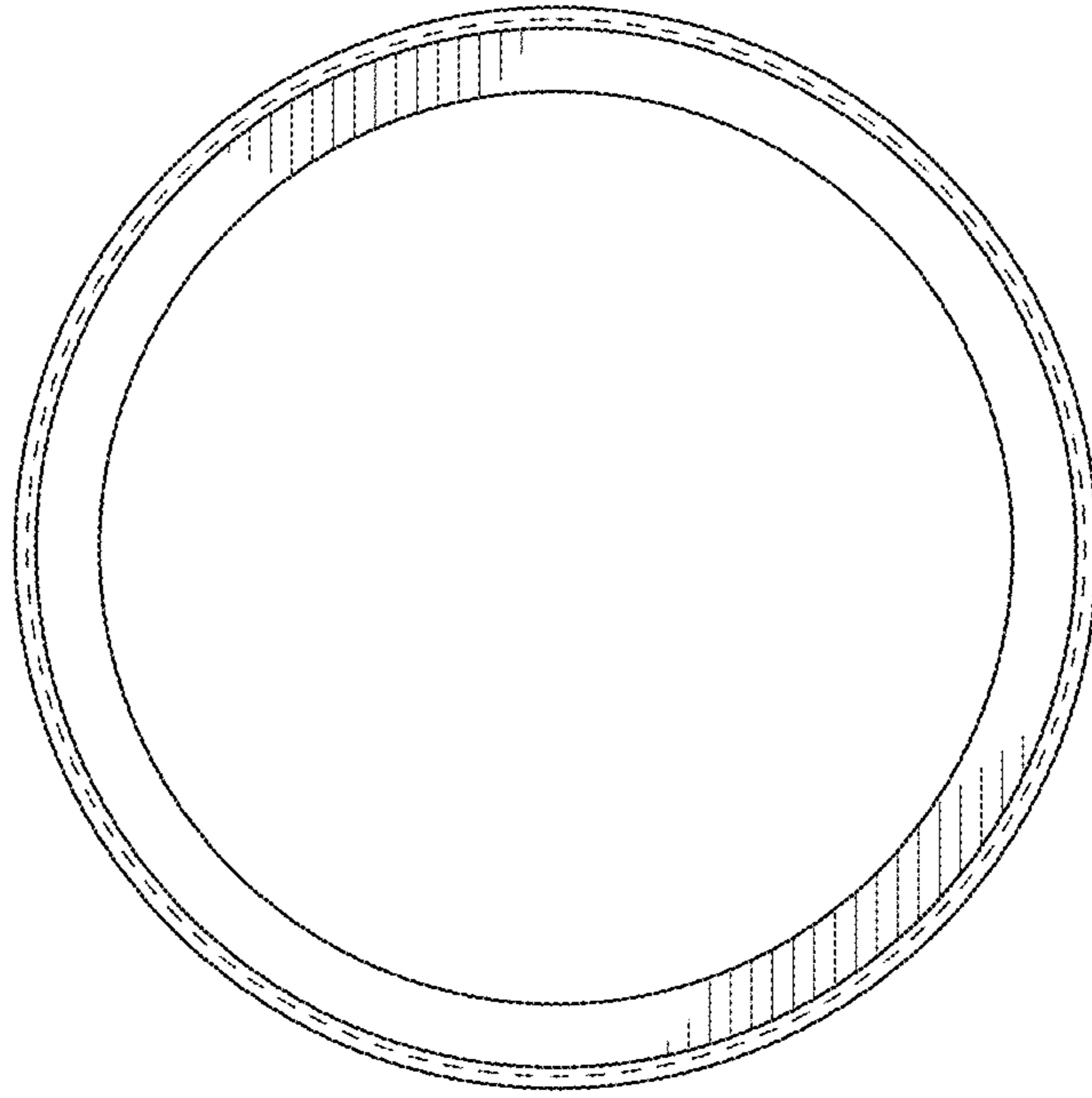


FIG. 16

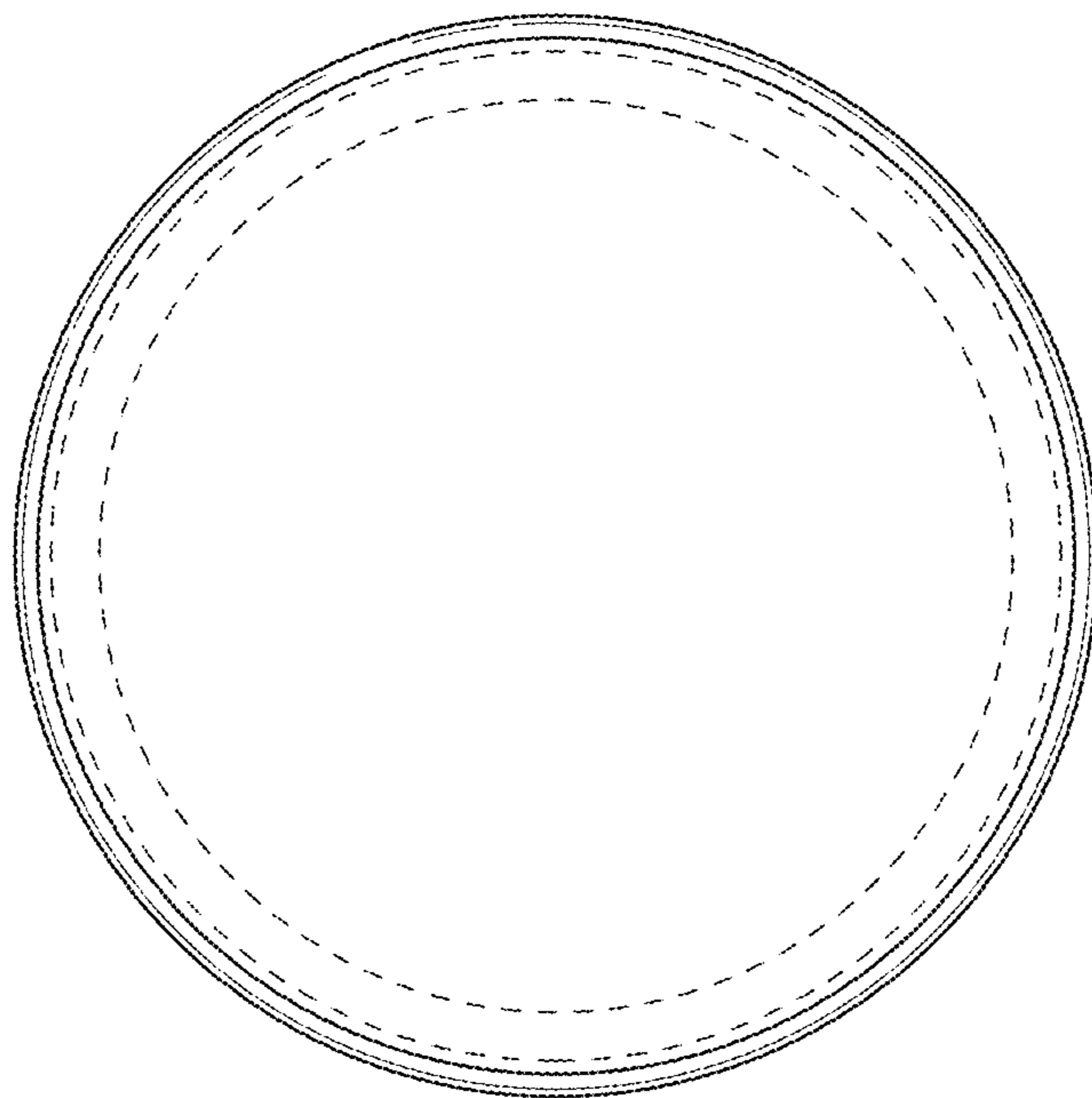


FIG. 17

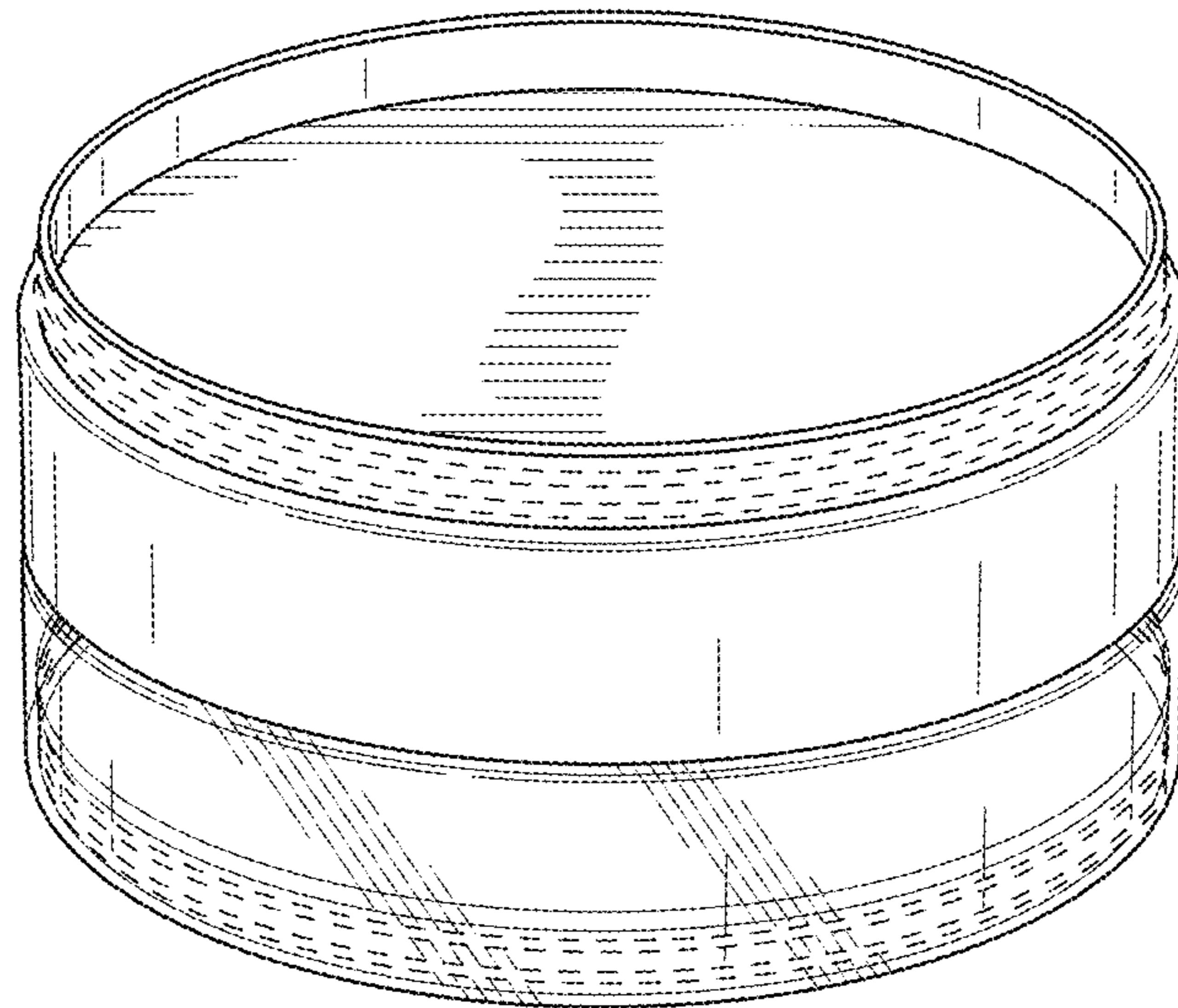


FIG. 18

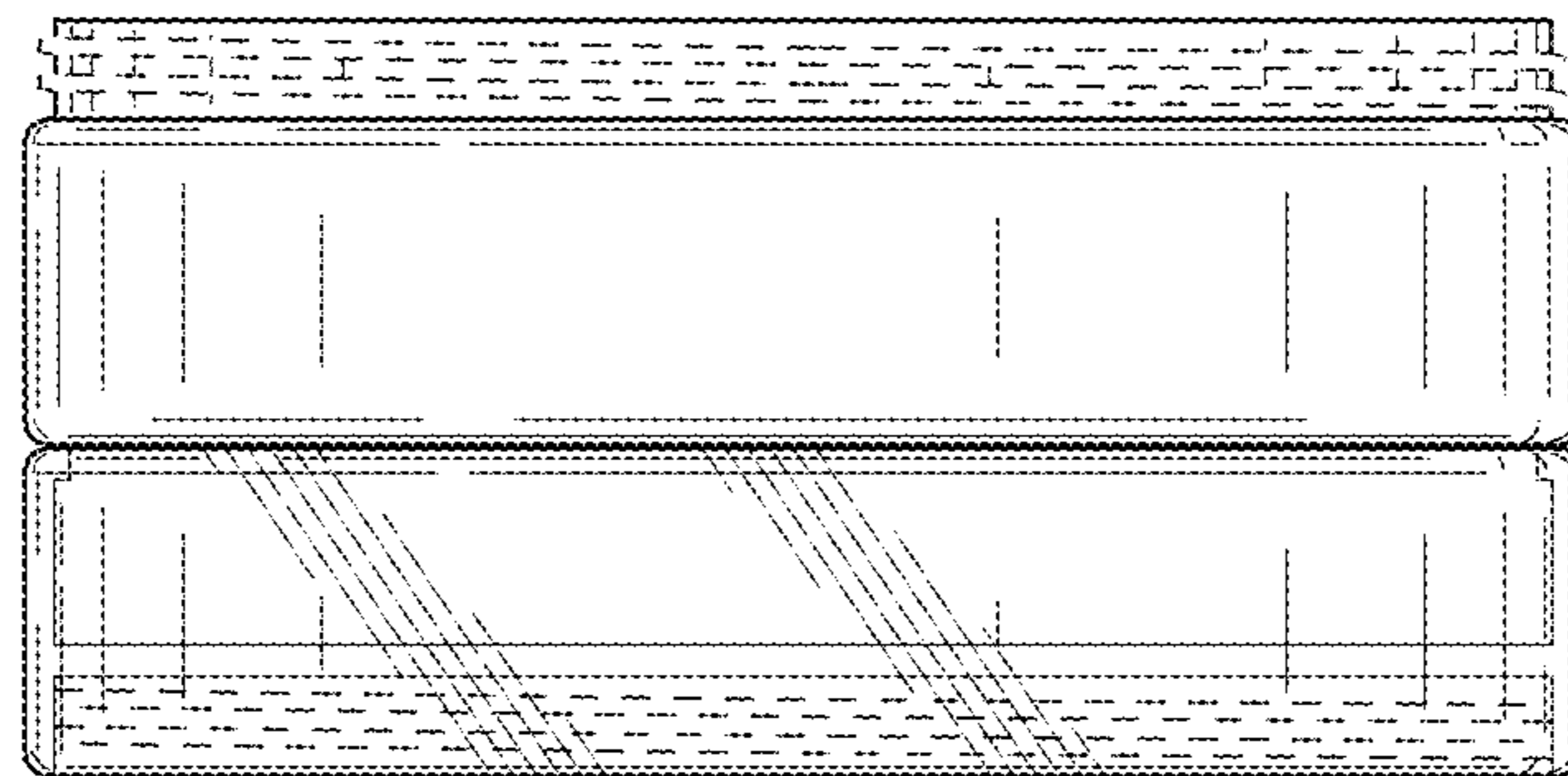


FIG. 19

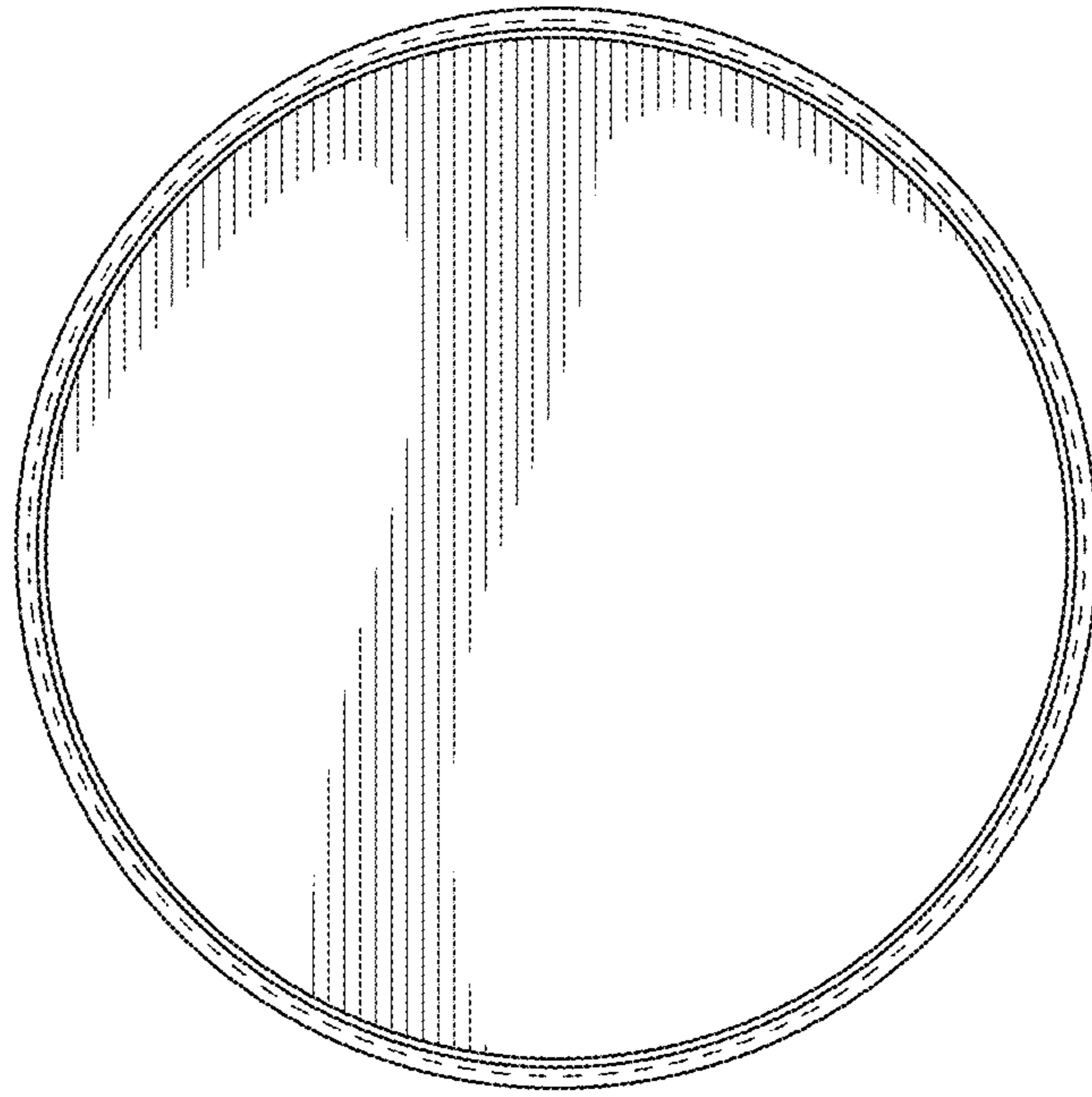


FIG. 20

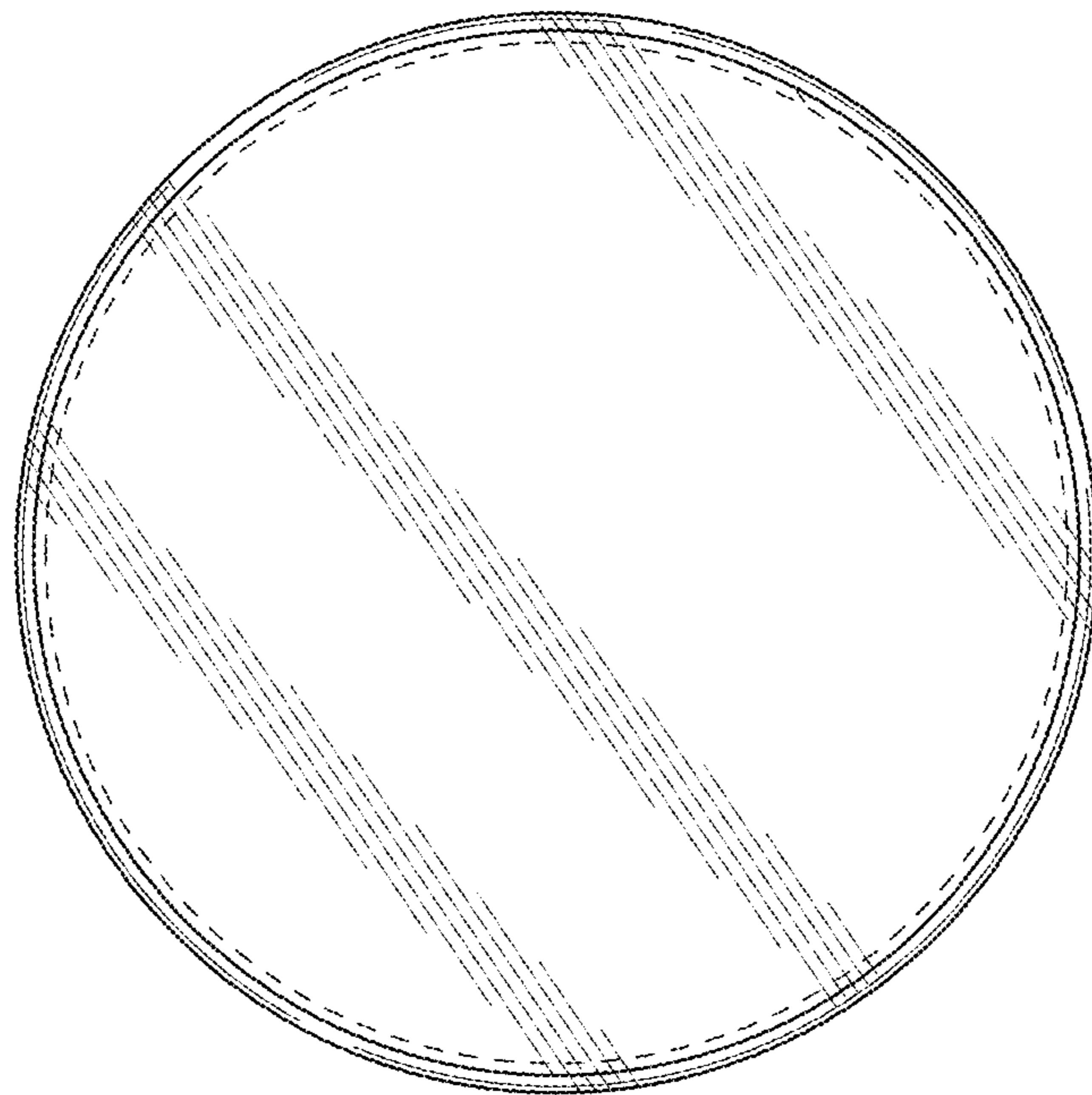


FIG. 21

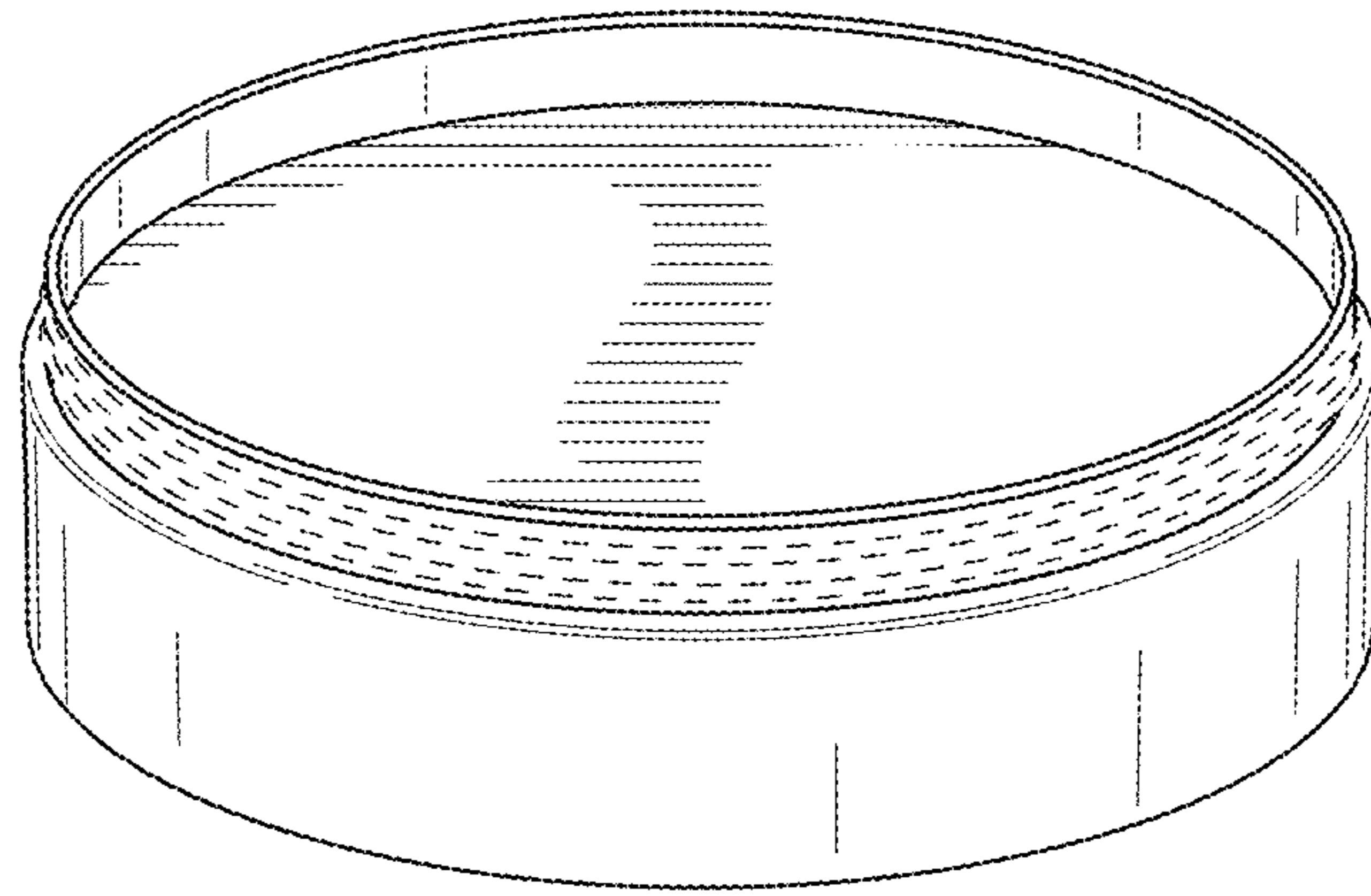


FIG. 22

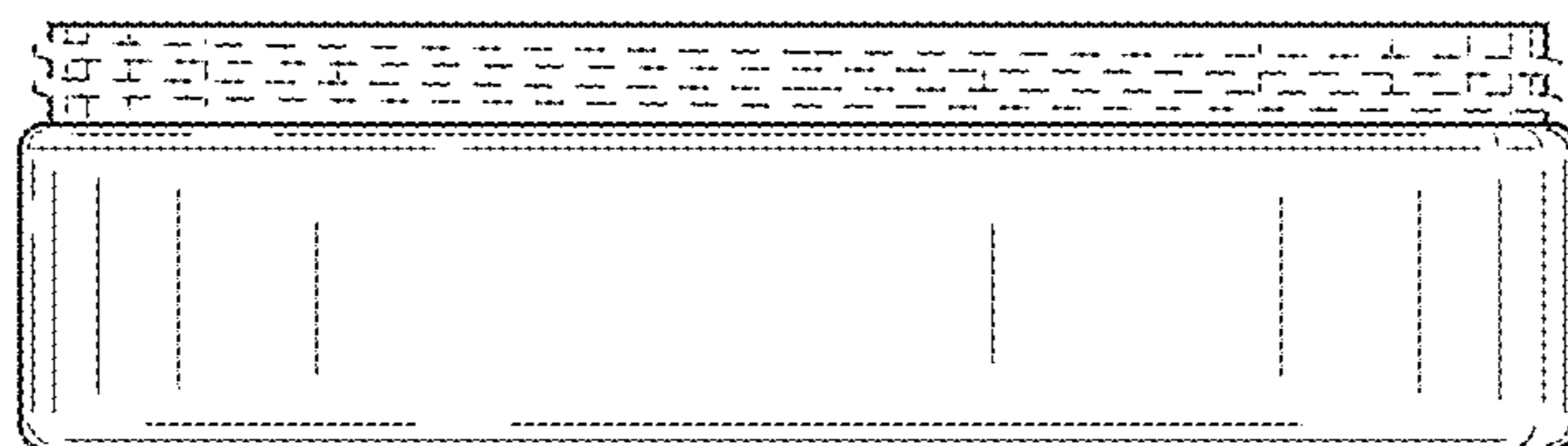


FIG. 23

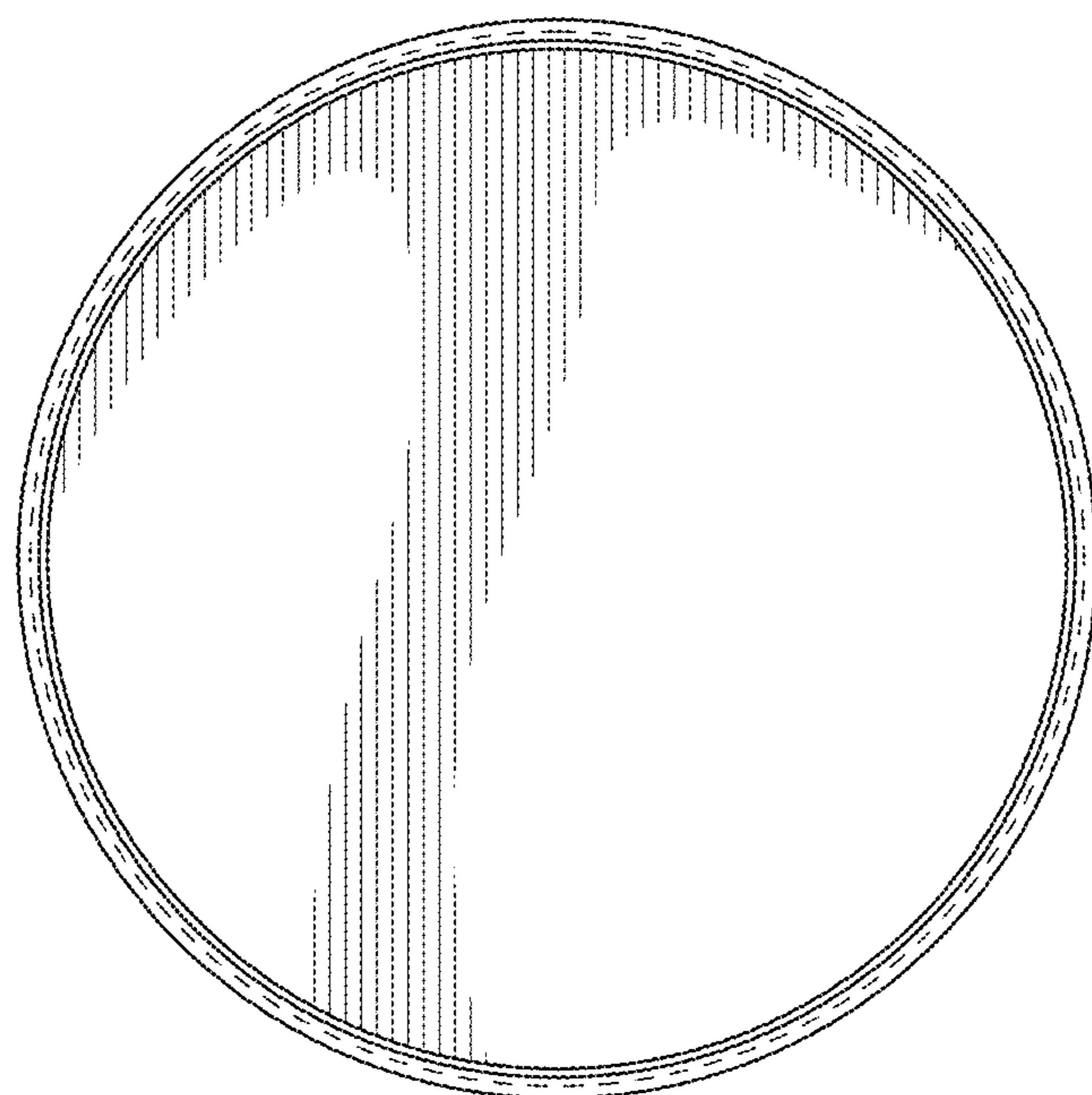


FIG. 24

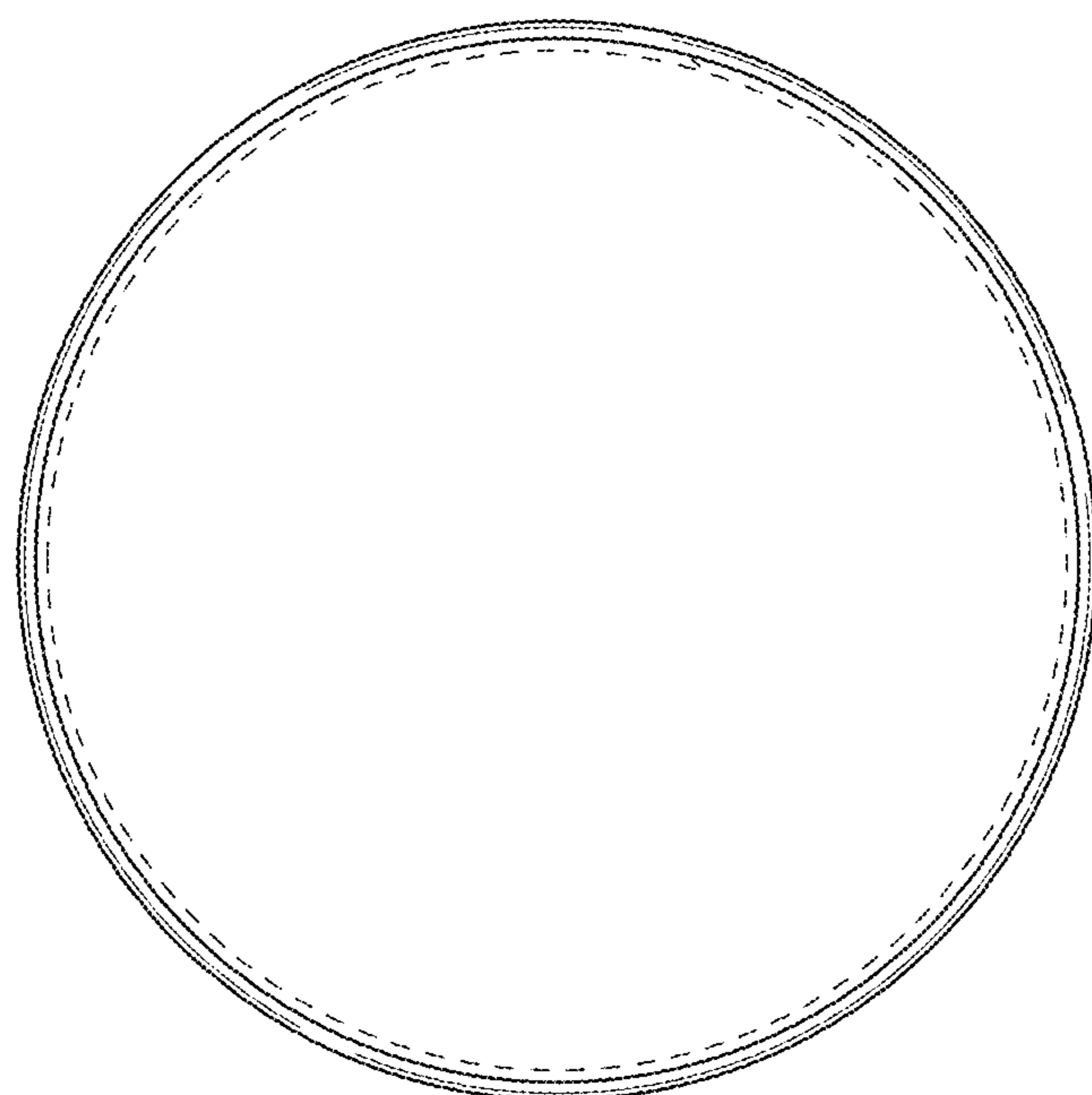


FIG. 25

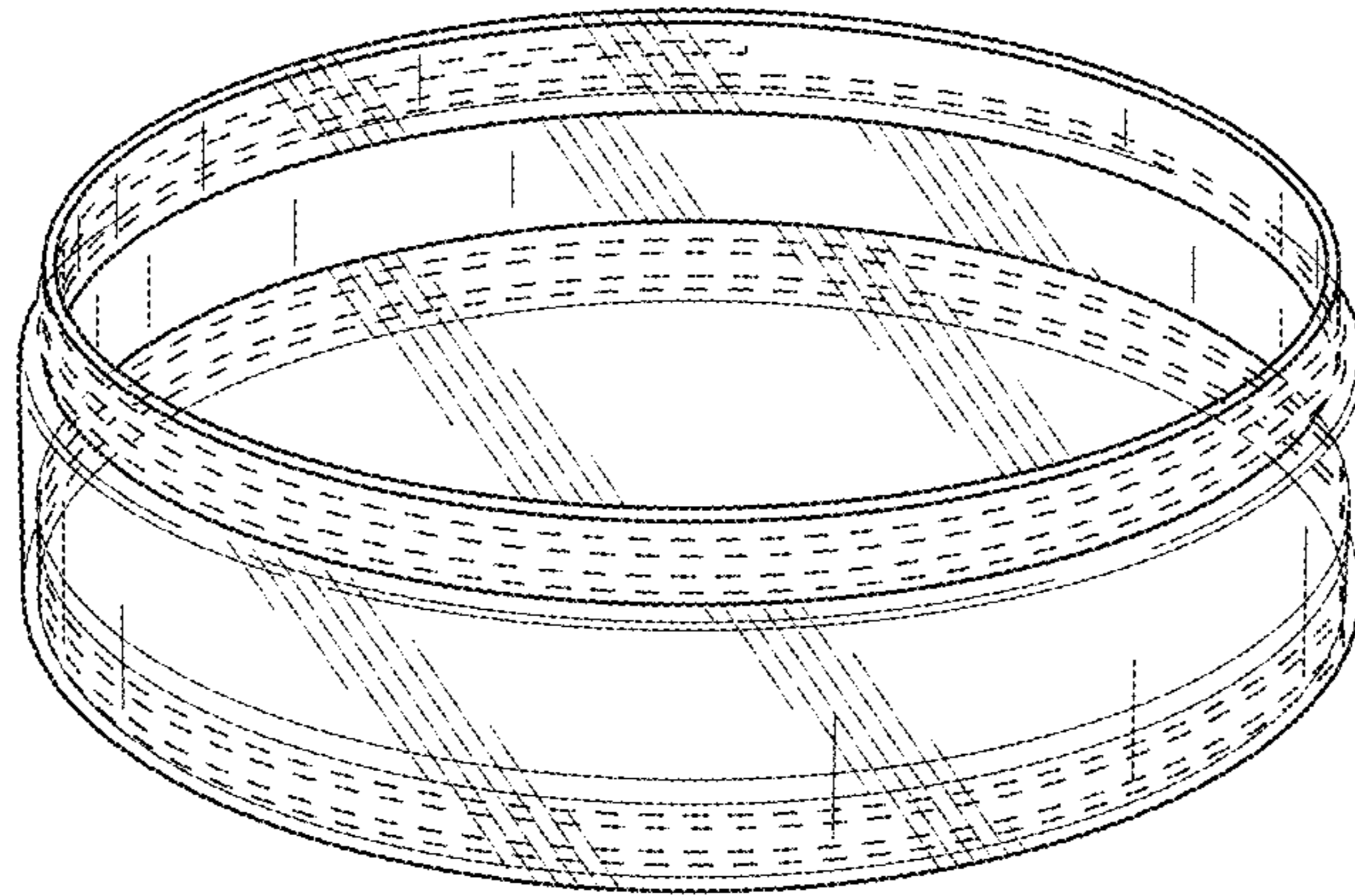


FIG. 26

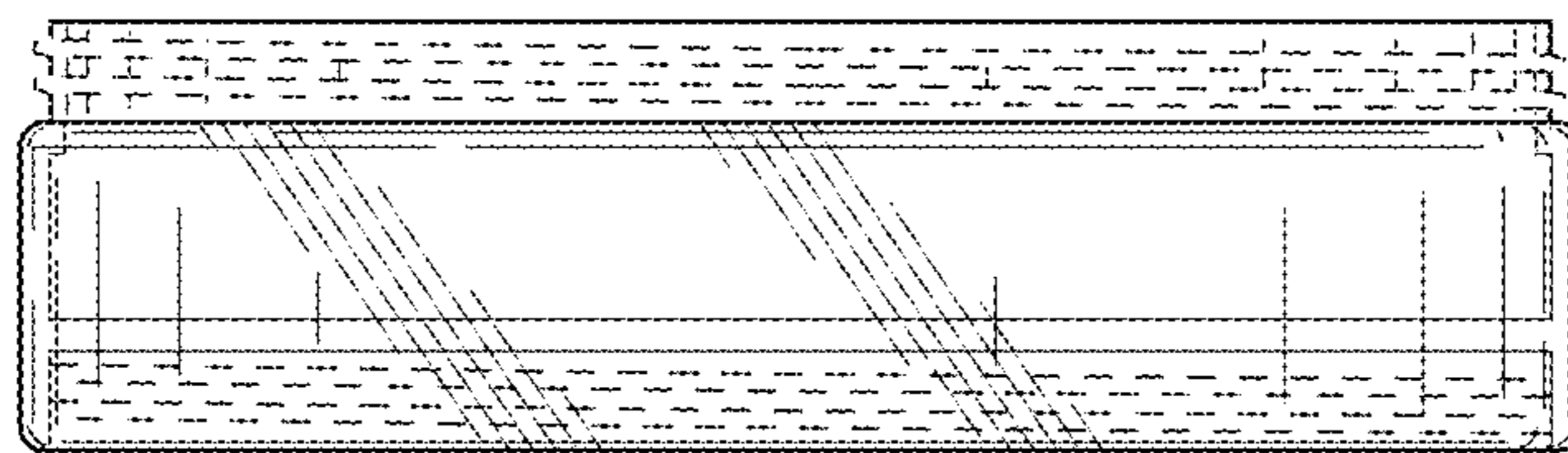


FIG. 27

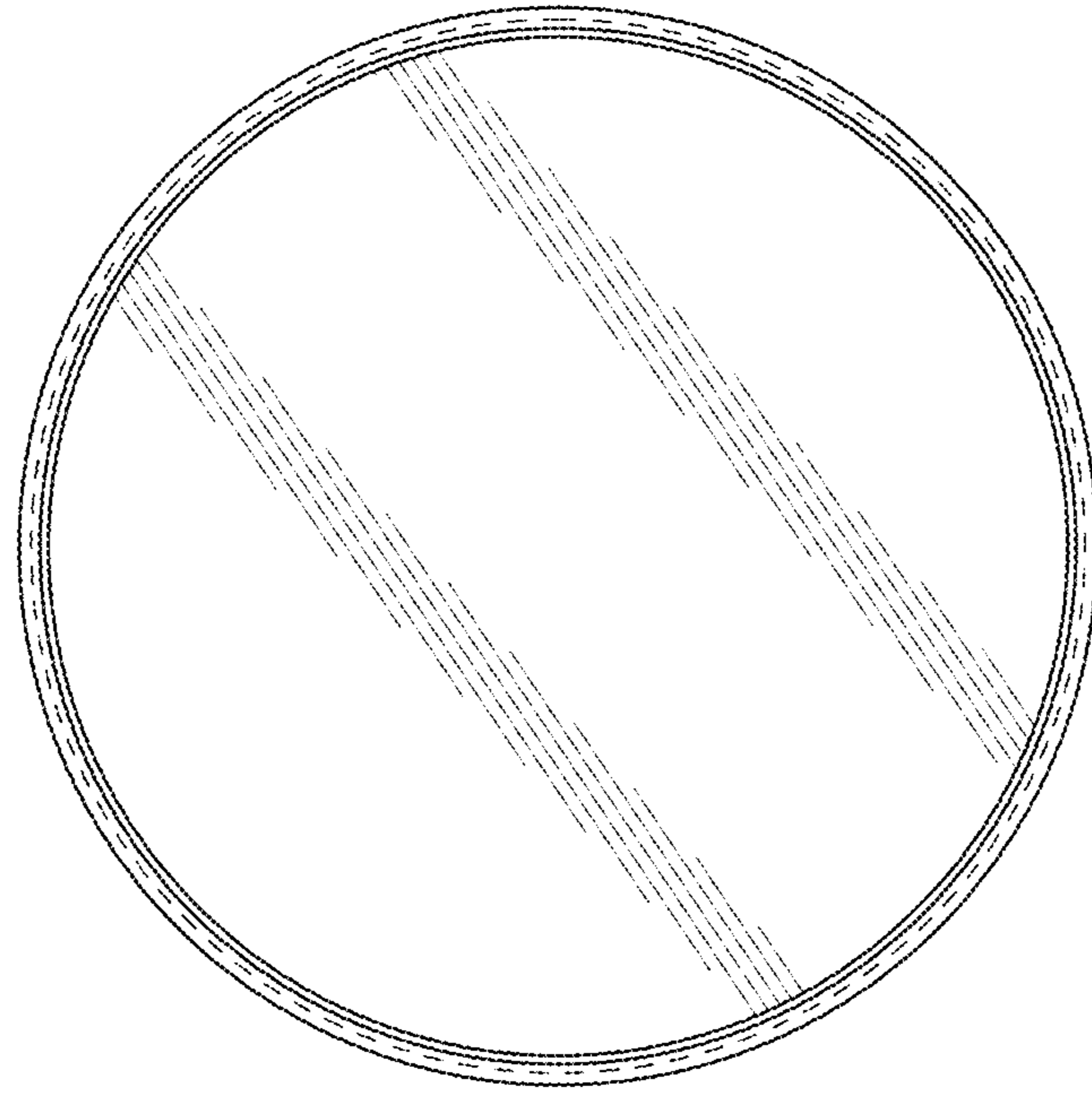


FIG. 28

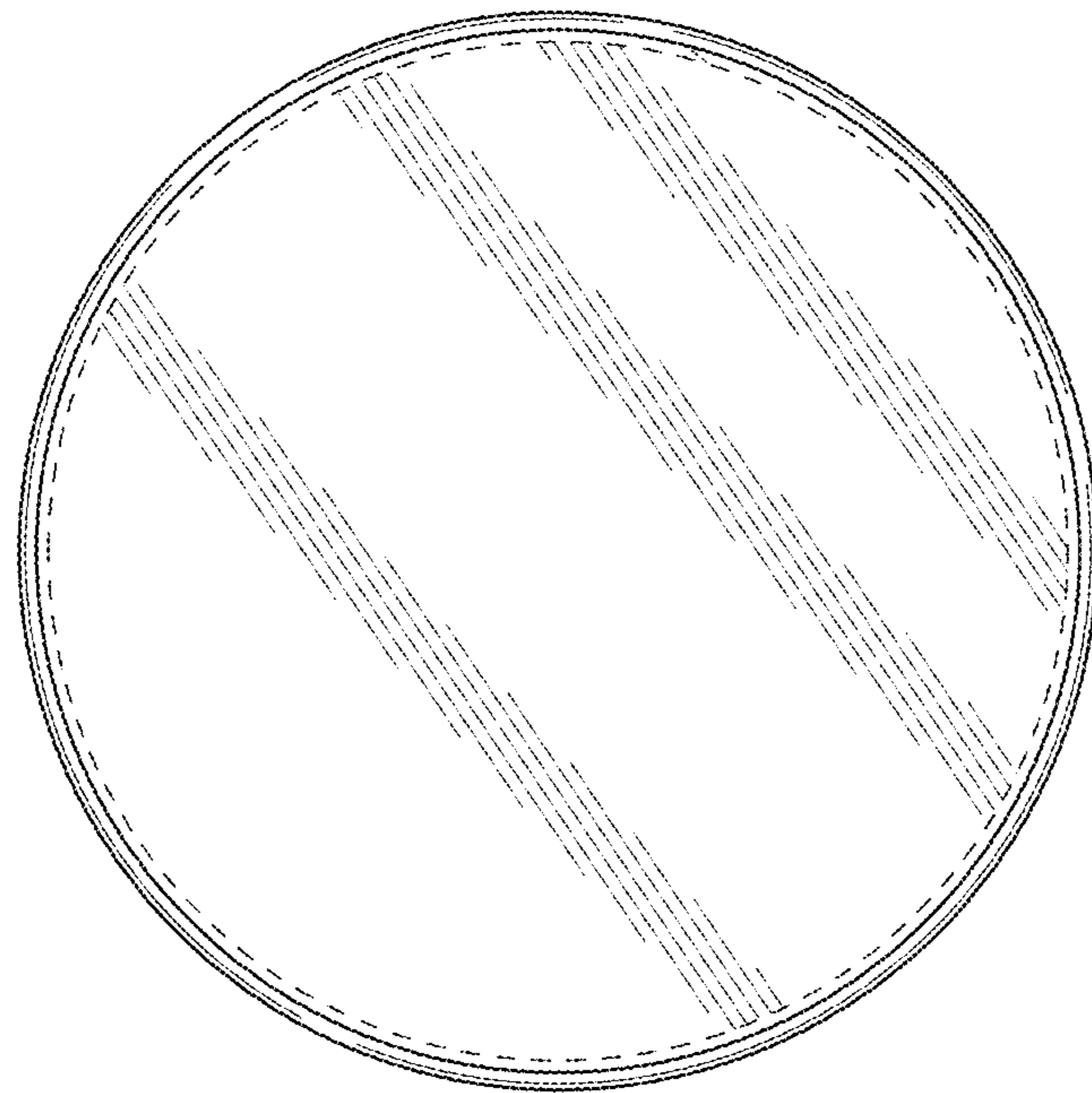


FIG. 29

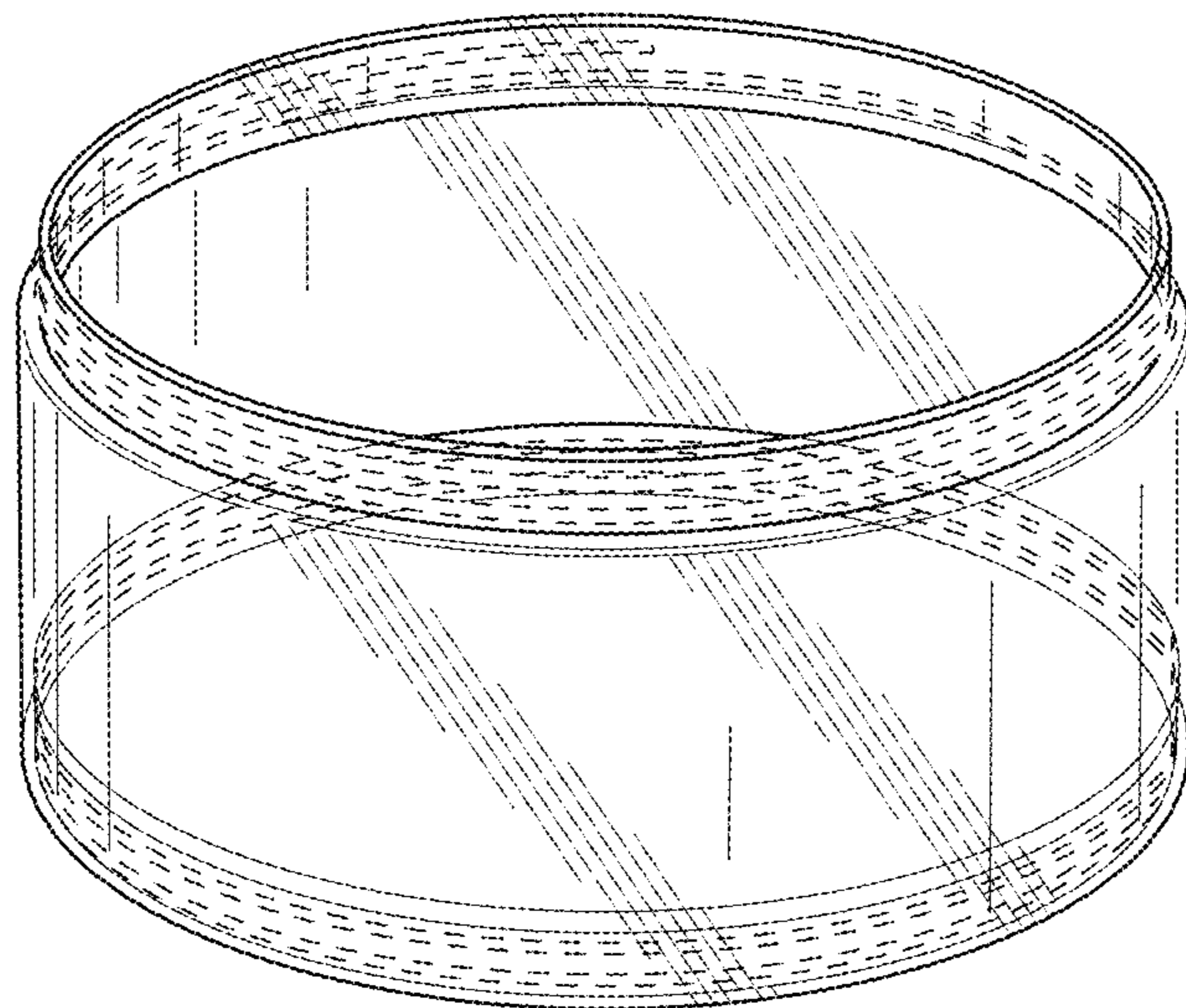


FIG. 30

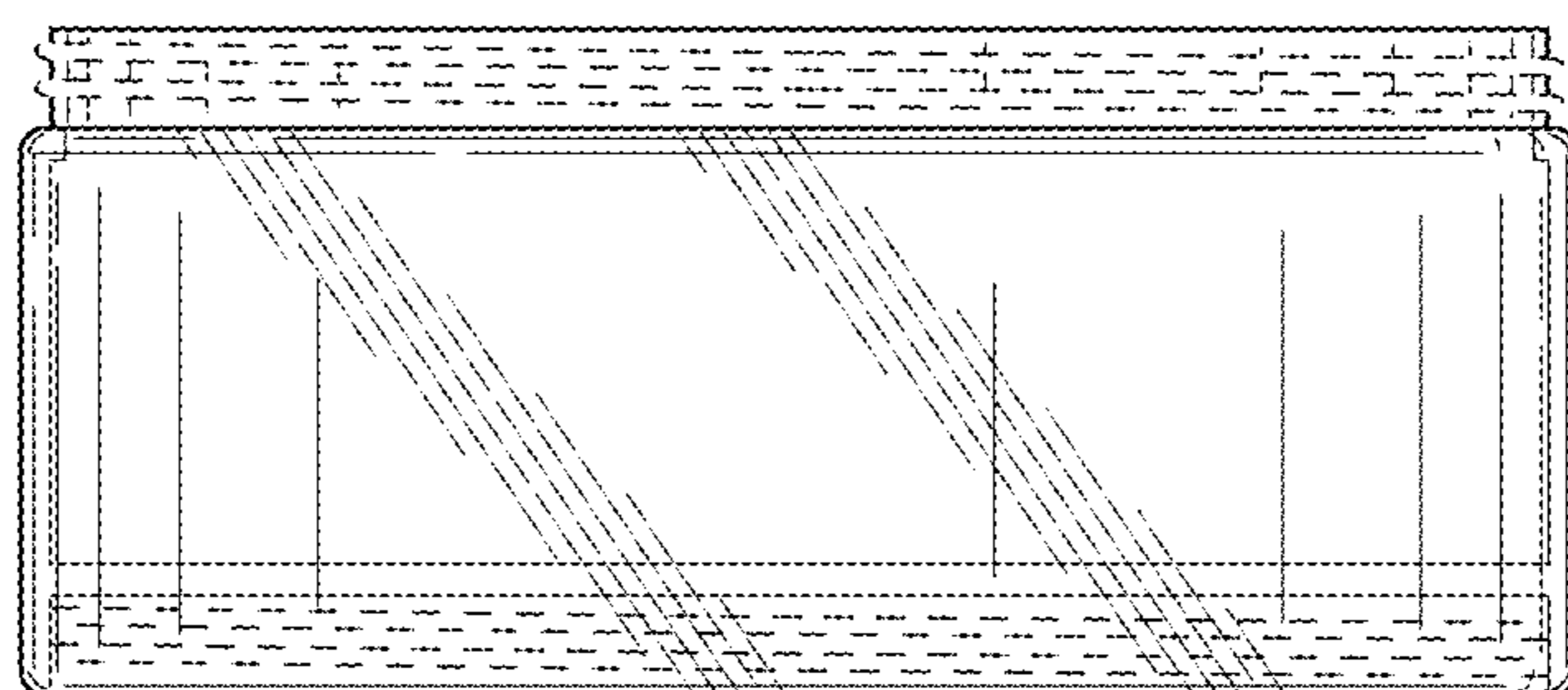


FIG. 31

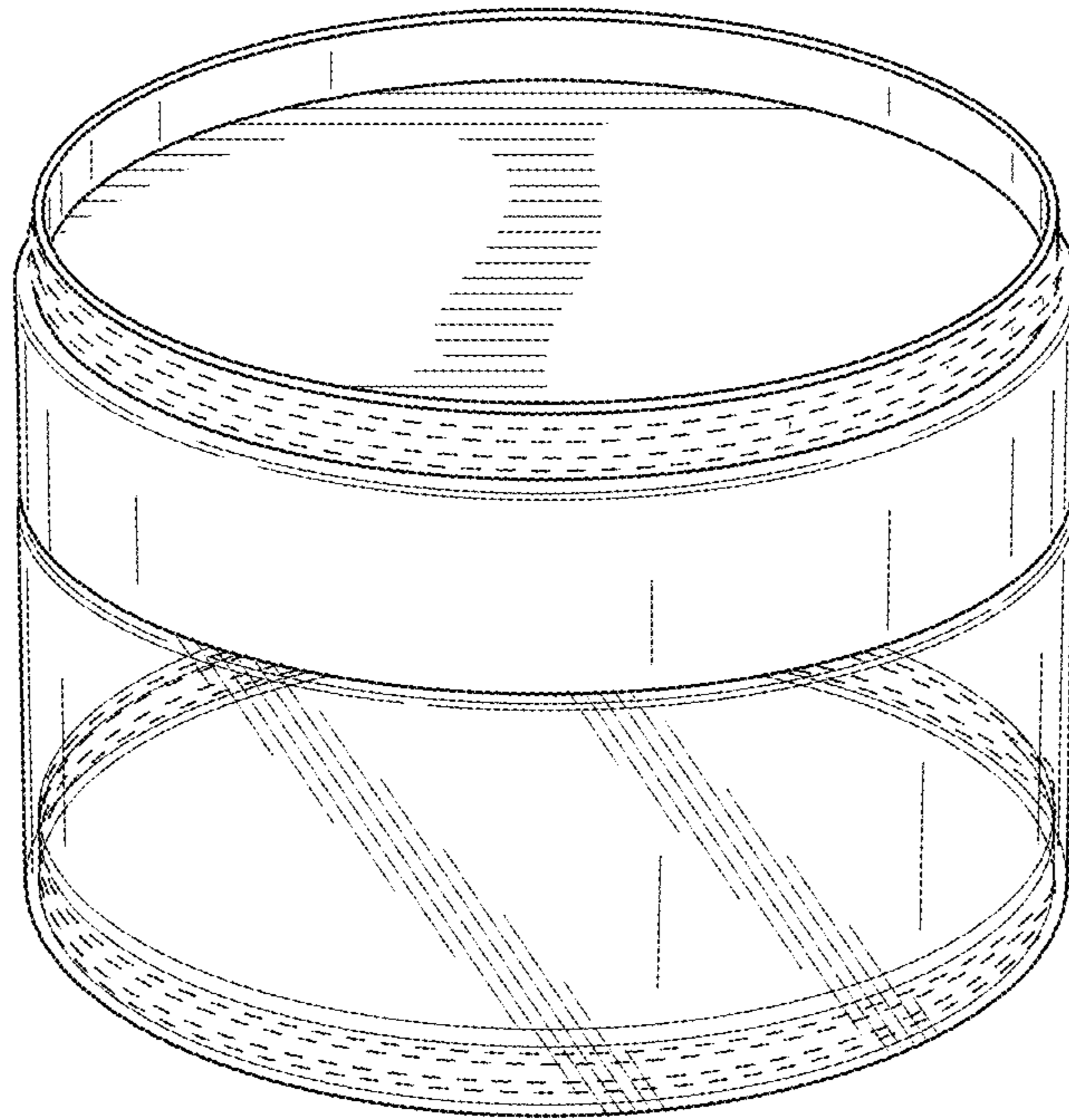


FIG. 32

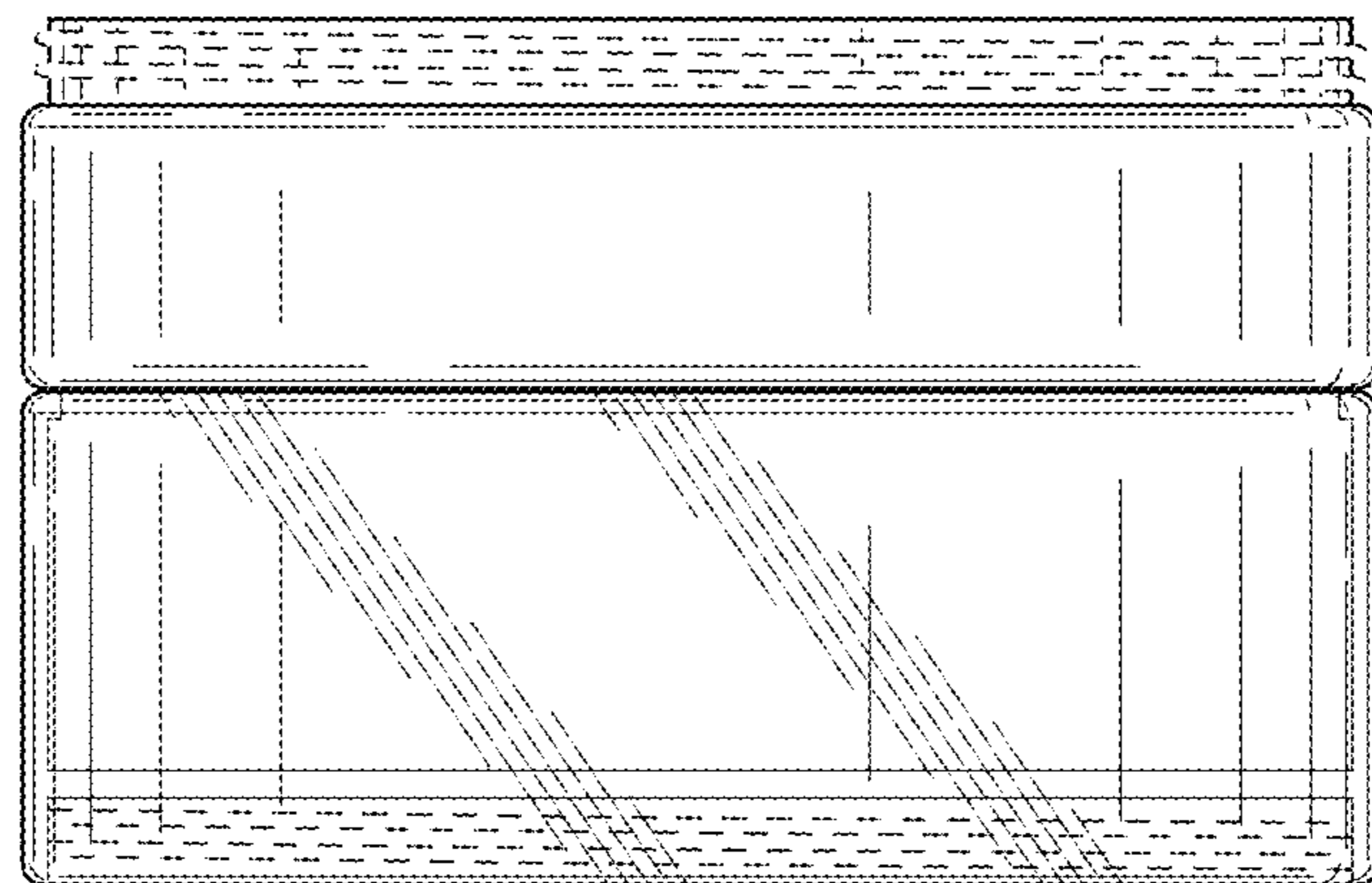


FIG. 33

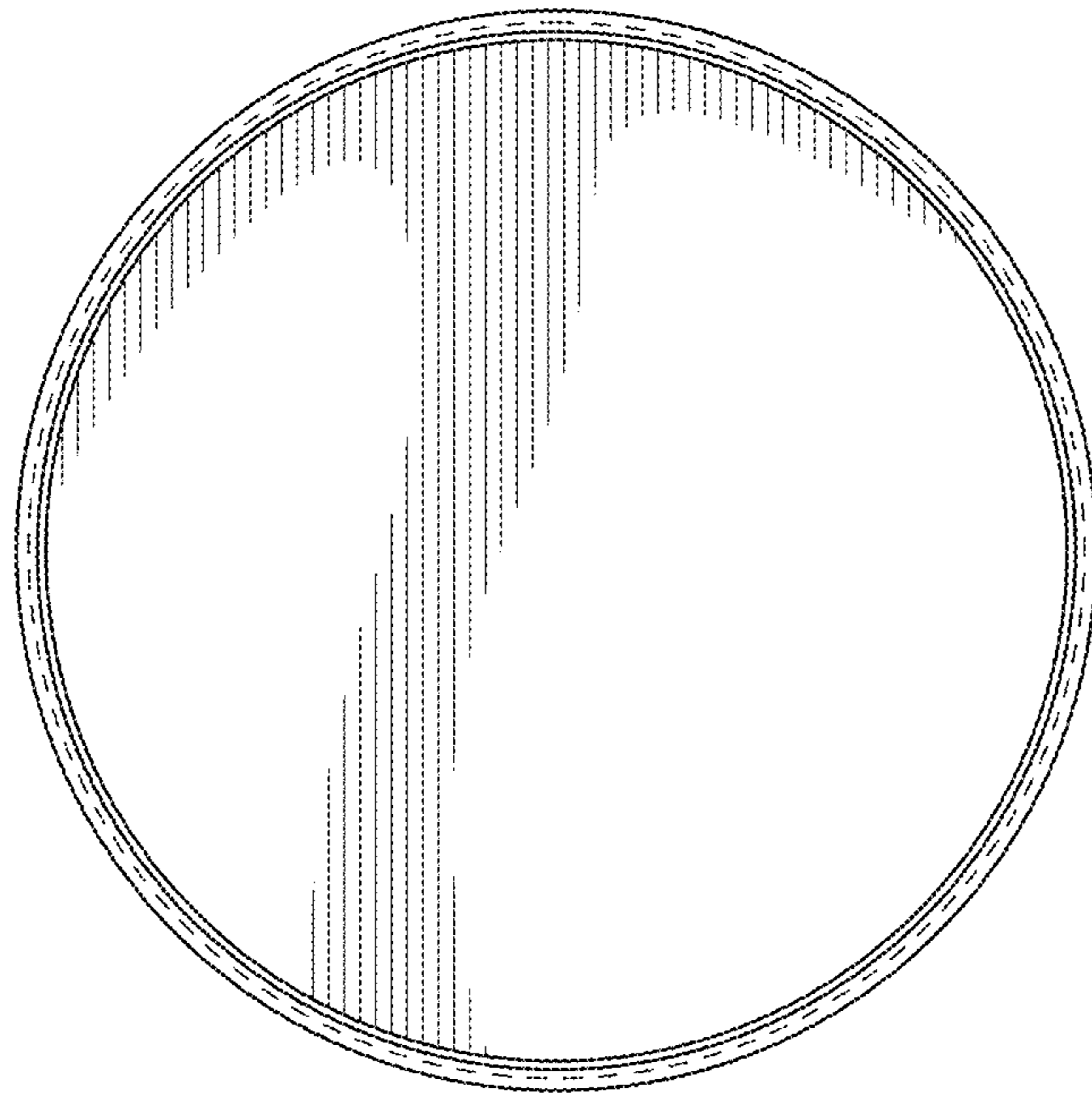


FIG. 34

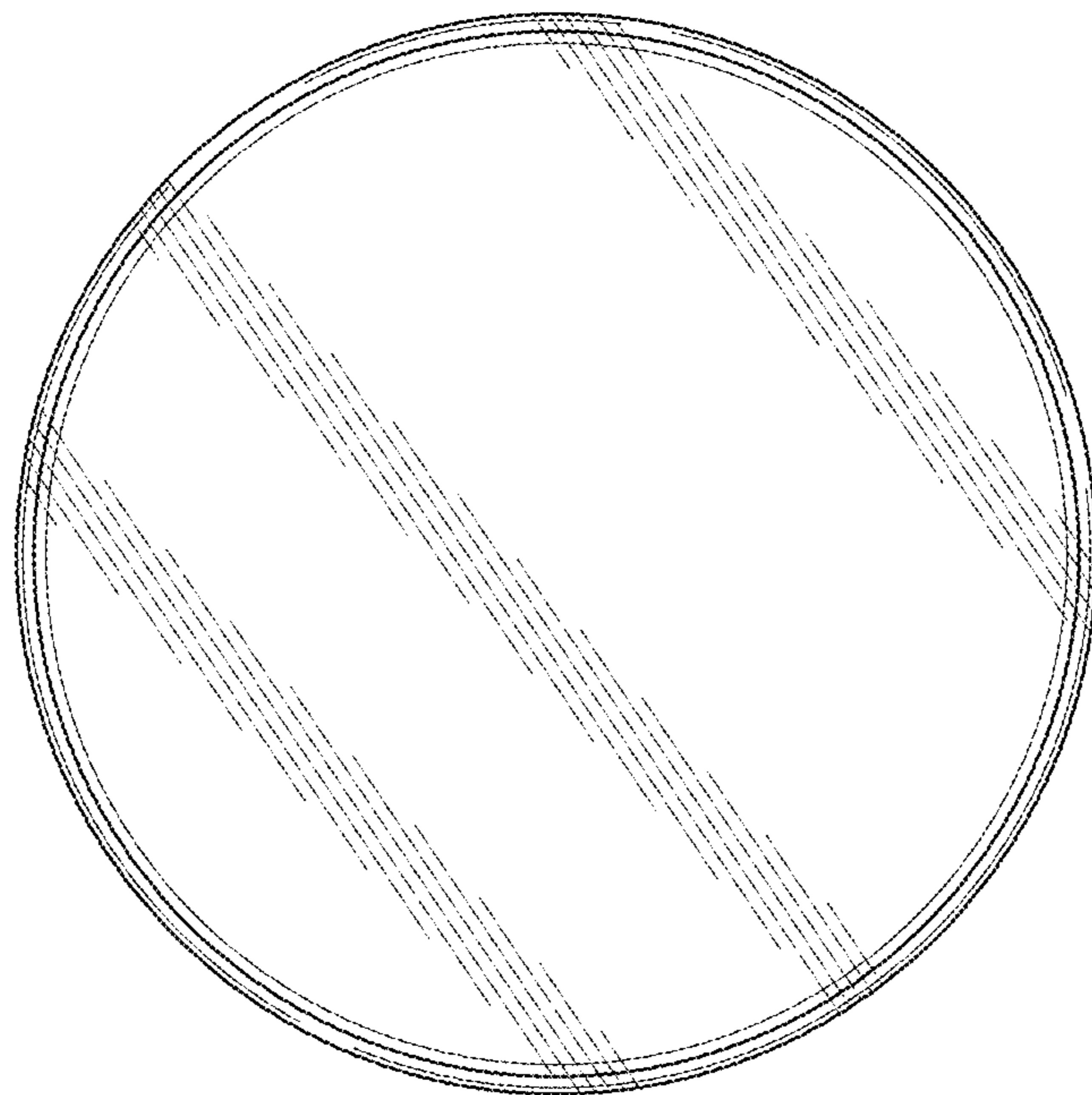


FIG. 35