

US00D799265S

(12) **United States Design Patent** (10) **Patent No.:** **US D799,265 S**  
**Paille et al.** (45) **Date of Patent:** **\*\* Oct. 10, 2017**

- (54) **SPIKE-STYLE TOASTING DEVICE** 1,848,030 A 3/1932 Sibley
- 1,902,564 A 3/1933 Mabey
- (71) Applicant: **Hula Dog Franchise, Inc.**, Honolulu, HI (US) 2,111,456 A \* 3/1938 Markle, Jr. .... A47J 43/18 248/362
- 2,648,275 A 8/1953 Thompson
- (72) Inventors: **Lawrence Paille**, Kapaa, HI (US); 3,377,943 A 4/1968 Frank
- Dominique Quinette**, Honolulu, HI (US); 3,635,146 A 1/1972 Aubert
- Scott March**, Kailua-Kona, HI (US) 3,965,808 A 6/1976 Chomette
- D257,886 S \* 1/1981 Kersten ..... D24/112
- 4,272,669 A \* 6/1981 Yamanaka ..... A47J 37/0864 219/385
- (73) Assignee: **Hula Dog Franchise, Inc.**, Honolulu, HI (US) D268,698 S \* 4/1983 Knute ..... D24/112
- D310,722 S \* 9/1990 Broden ..... D24/112
- D365,630 S \* 12/1995 Sullivan ..... D24/112

(Continued)

(\*\*) Term: **15 Years**

(21) Appl. No.: **29/540,815**

(22) Filed: **Sep. 28, 2015**

(51) **LOC (10) Cl.** ..... **07-02**

(52) **U.S. Cl.**  
USPC ..... **D7/409**

(58) **Field of Classification Search**  
 USPC ..... D7/504, 354-357, 359-363, 408, 409, D7/411, 412, 672, 673, 601, 619.1, 602, D7/555, 553.3, 553.6, 402, 388, 337, D7/328-330, 390; 99/450, 445; 126/25 R; 219/432; D24/112; D8/1; D3/10  
 CPC . A47G 19/30; A47G 2019/306; A47J 37/067; A47J 37/0694; A47J 41/055; A47J 36/34; A47J 27/02; A47J 27/022; A47J 27/002; A47J 43/18; A47J 37/0864; F24C 15/16  
 See application file for complete search history.

(56) **References Cited**

**U.S. PATENT DOCUMENTS**

- D33,415 S \* 10/1900 Bedle ..... D7/672
- 1,339,625 A \* 5/1920 Holloway ..... A47J 37/106 99/346
- 1,802,532 A \* 4/1931 Pulver ..... A47J 37/0864 219/227

*Primary Examiner* — Susan Bennett Hattan  
*Assistant Examiner* — Brett Miller  
 (74) *Attorney, Agent, or Firm* — Culpepper IP, PLLC;  
 Kerry S. Culpepper

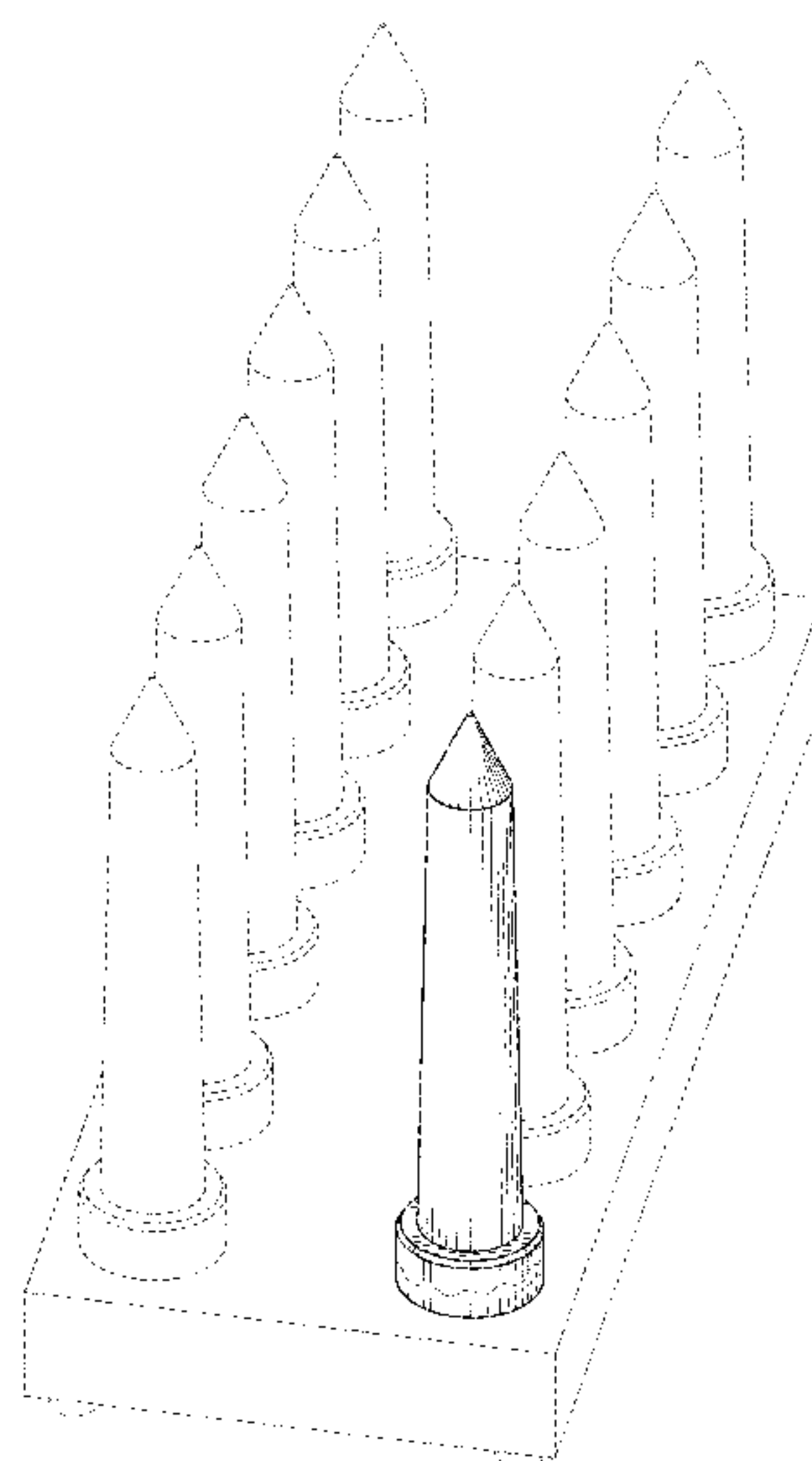
(57) **CLAIM**

We claim the ornamental design for a spike-style toasting device, as shown and described.

**DESCRIPTION**

FIG. 1 is an environmental perspective view;  
 FIG. 2 is a front view thereof of the spike-style toasting device;  
 FIG. 3 is a top view thereof of the spike-style toasting device;  
 FIG. 4 is a bottom view thereof of the spike-style toasting device;  
 FIG. 5 is a perspective view thereof from the top to the bottom of the spike-style toasting device; and,  
 FIG. 6 is a perspective view thereof from the bottom to the top of the spike-style toasting device.  
 The front and rear views are identical.  
 The broken lines shown represent unclaimed subject matter and form no part of the claimed design.

**1 Claim, 3 Drawing Sheets**



(56)

**References Cited**

U.S. PATENT DOCUMENTS

D401,871 S \* 12/1998 Edwards ..... D10/66  
D403,398 S \* 12/1998 Guala ..... D24/112  
D408,230 S \* 4/1999 Evans ..... D8/1  
D495,932 S \* 9/2004 Kopka ..... D8/1  
7,004,064 B1 \* 2/2006 Turner ..... A47J 43/18  
99/446  
D564,712 S \* 3/2008 Cole ..... D30/121  
7,339,136 B2 3/2008 Schmanski  
D593,315 S \* 6/2009 Zemel ..... D3/10  
D623,846 S \* 9/2010 Kahng ..... D3/10  
D668,920 S \* 10/2012 Sandoval ..... D8/1  
D721,254 S \* 1/2015 Cyphers ..... D8/1  
D742,187 S \* 11/2015 Thompson ..... D8/1  
D749,361 S \* 2/2016 Goodyear, Jr. .... D7/412  
D753,967 S \* 4/2016 London ..... D8/1  
D782,246 S \* 3/2017 Legge ..... D7/409  
2016/0174768 A1 \* 6/2016 Deverse ..... A47J 37/0864  
99/385

\* cited by examiner

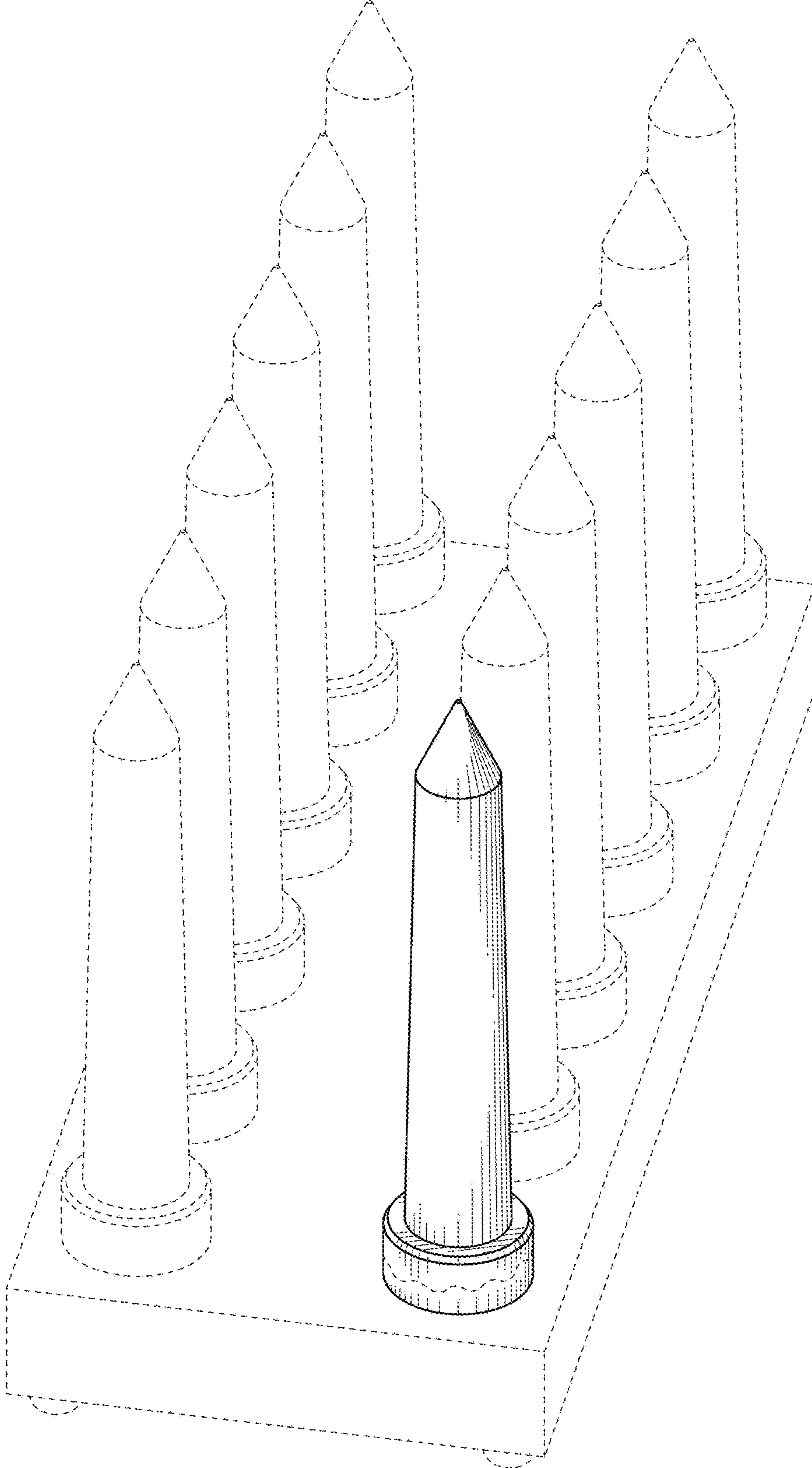


FIG. 1

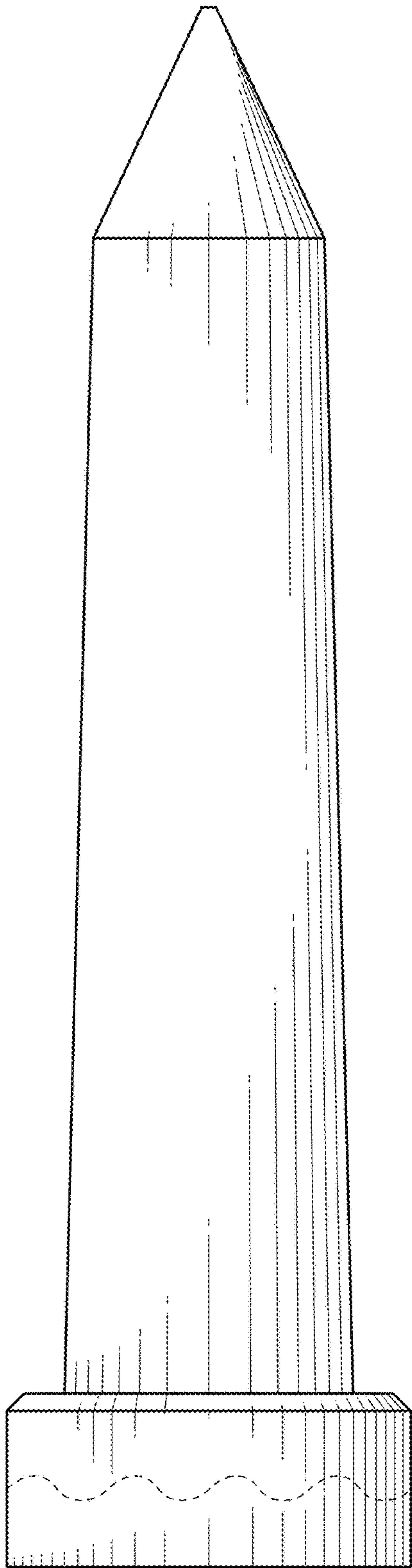


FIG. 2

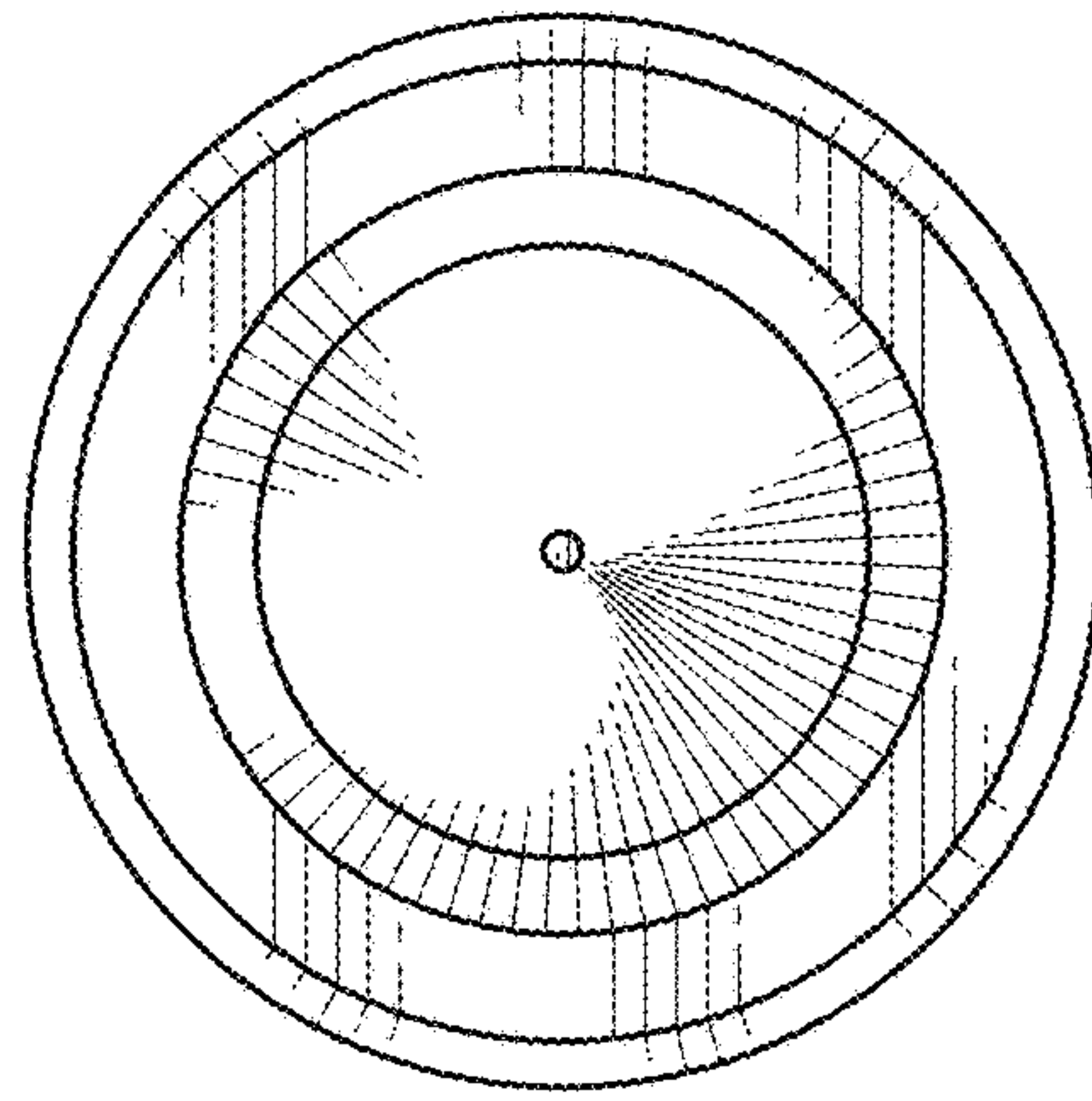


FIG. 3

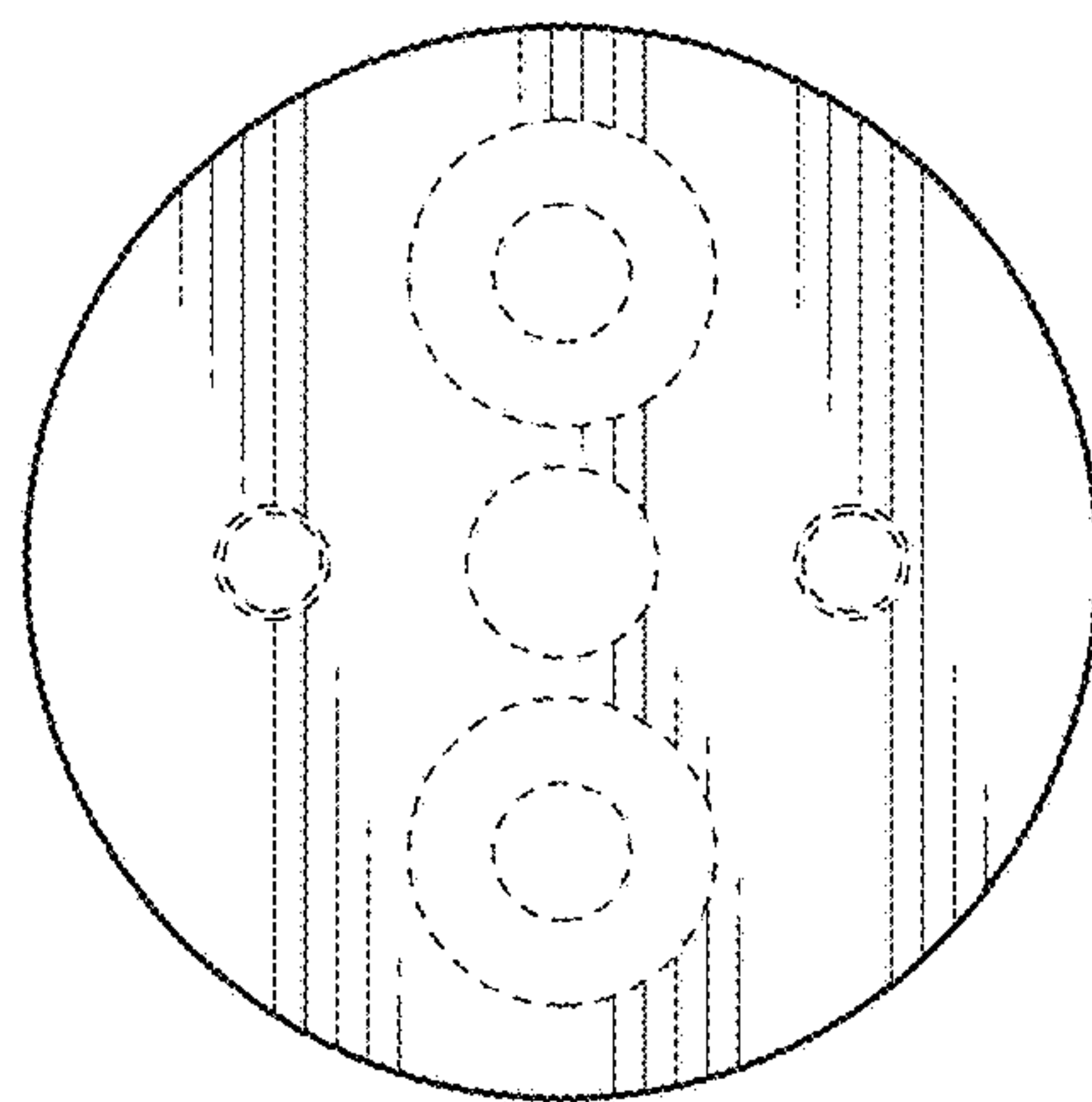


FIG. 4



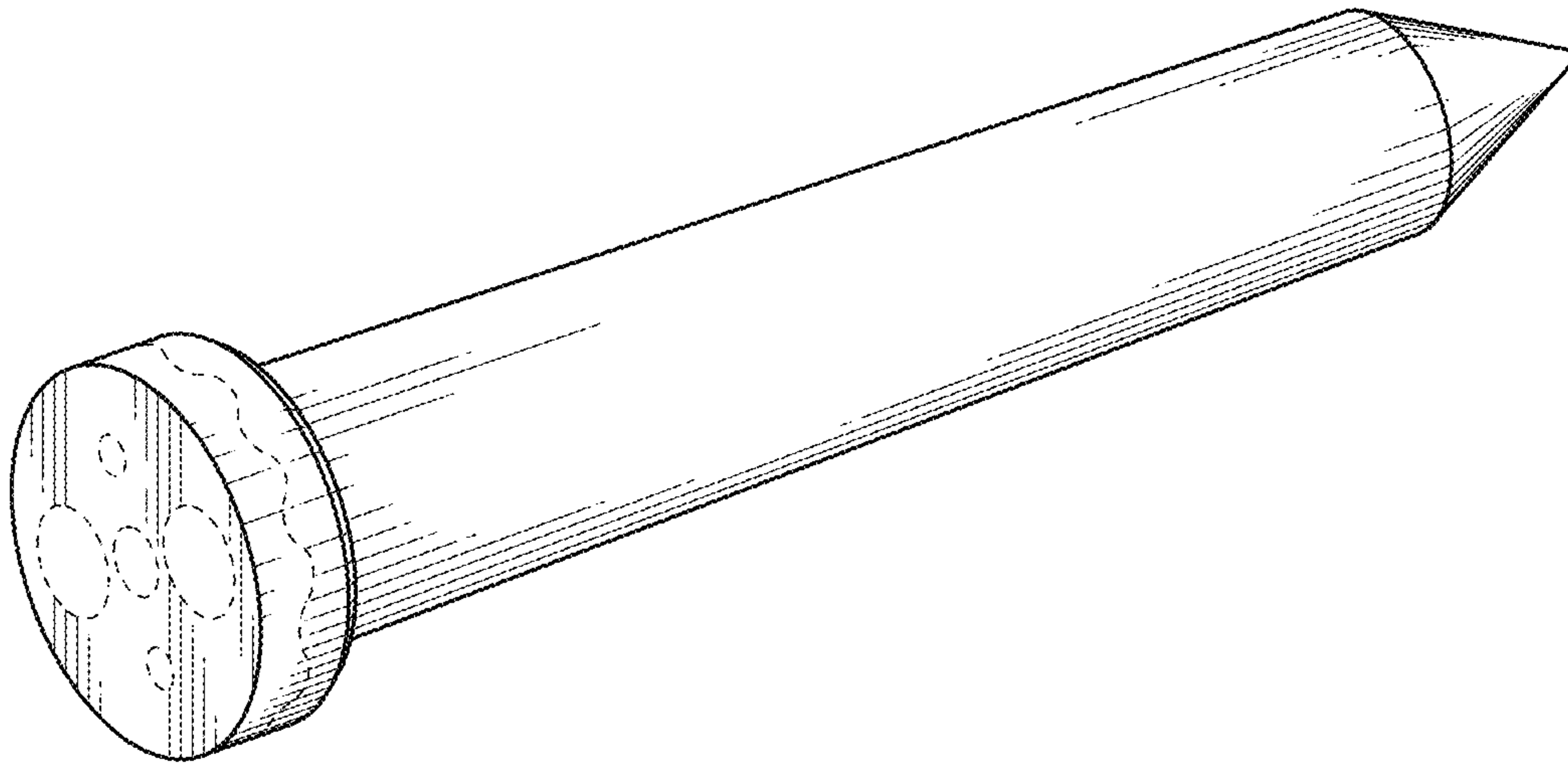


FIG. 5

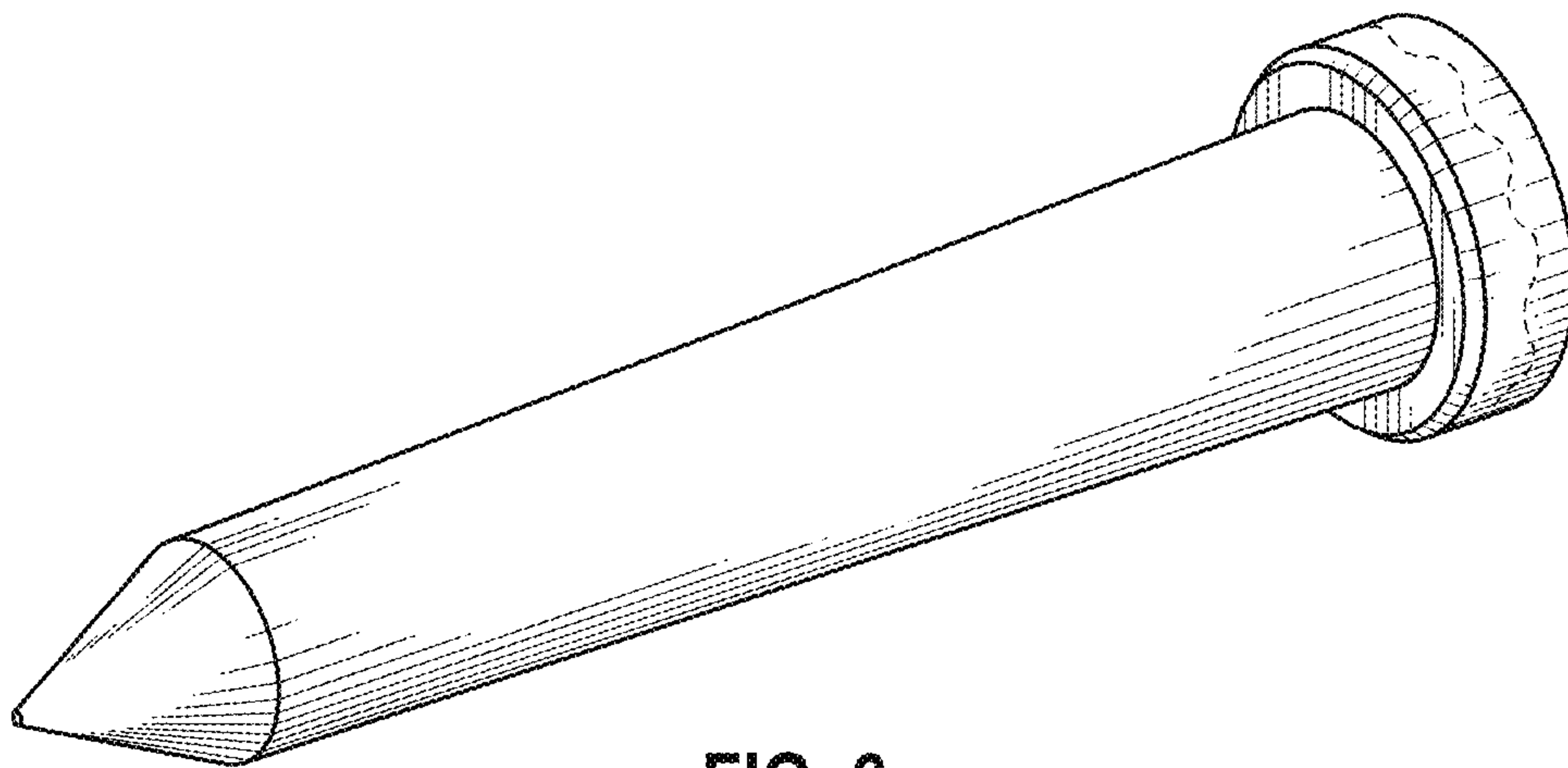


FIG. 6