



US00D799263S

(12) **United States Design Patent**
Liang

(10) **Patent No.:** **US D799,263 S**

(45) **Date of Patent:** **** Oct. 10, 2017**

- (54) **LID FOR KETTLES**
- (71) Applicant: **Hsiao-Chen Liang**, Chang Hua Hsien (TW)
- (72) Inventor: **Hsiao-Chen Liang**, Chang Hua Hsien (TW)
- (**) Term: **15 Years**
- (21) Appl. No.: **29/529,292**
- (22) Filed: **Jun. 5, 2015**
- (51) **LOC (10) Cl.** **07-02**
- (52) **U.S. Cl.**
USPC **D7/391**
- (58) **Field of Classification Search**
USPC D6/661.3; D7/325, 354, 391, 392, 392.1, D7/393, 397, 629; D9/414, 424-432, D9/435, 451-452; D23/366
CPC ... A47F 3/10; A47F 7/02; A47J 36/027; A47J 36/06; A47J 37/10; A47J 37/101; A63J 17/00; B65D 21/0209; B65D 43/00; B65D 43/02; B65D 43/022; B65D 43/161; B65D 43/162; B65D 45/00; B65D 45/16; B65D 45/18; B65D 51/16; B65D 51/1683; B65D 51/1688; B65D 51/1694; B65F 1/1615
See application file for complete search history.

- 5,487,600 A * 1/1996 Griffin A47F 7/02 211/129.1
- 6,449,887 B1 * 9/2002 Song A63J 17/00 40/406
- D512,598 S * 12/2005 Shore D7/325
- D584,915 S * 1/2009 Brown D7/354
- D584,919 S * 1/2009 Regnart D7/391
- D612,924 S * 3/2010 Jorgensen D23/366
- D667,240 S * 9/2012 Weldon A47G 33/004 D6/661.3
- D670,935 S * 11/2012 Weldon A47G 33/004 D6/661.3
- D723,320 S * 3/2015 Rooney D7/325
- 2008/0067086 A1 * 3/2008 Uidl A47F 3/10 206/232

* cited by examiner

Primary Examiner — Ricky Pham
(74) *Attorney, Agent, or Firm* — C. G. Mersereau; Nikolai & Mersereau, P.A.

(57) **CLAIM**

The ornamental design for a lid for kettles, as shown.

DESCRIPTION

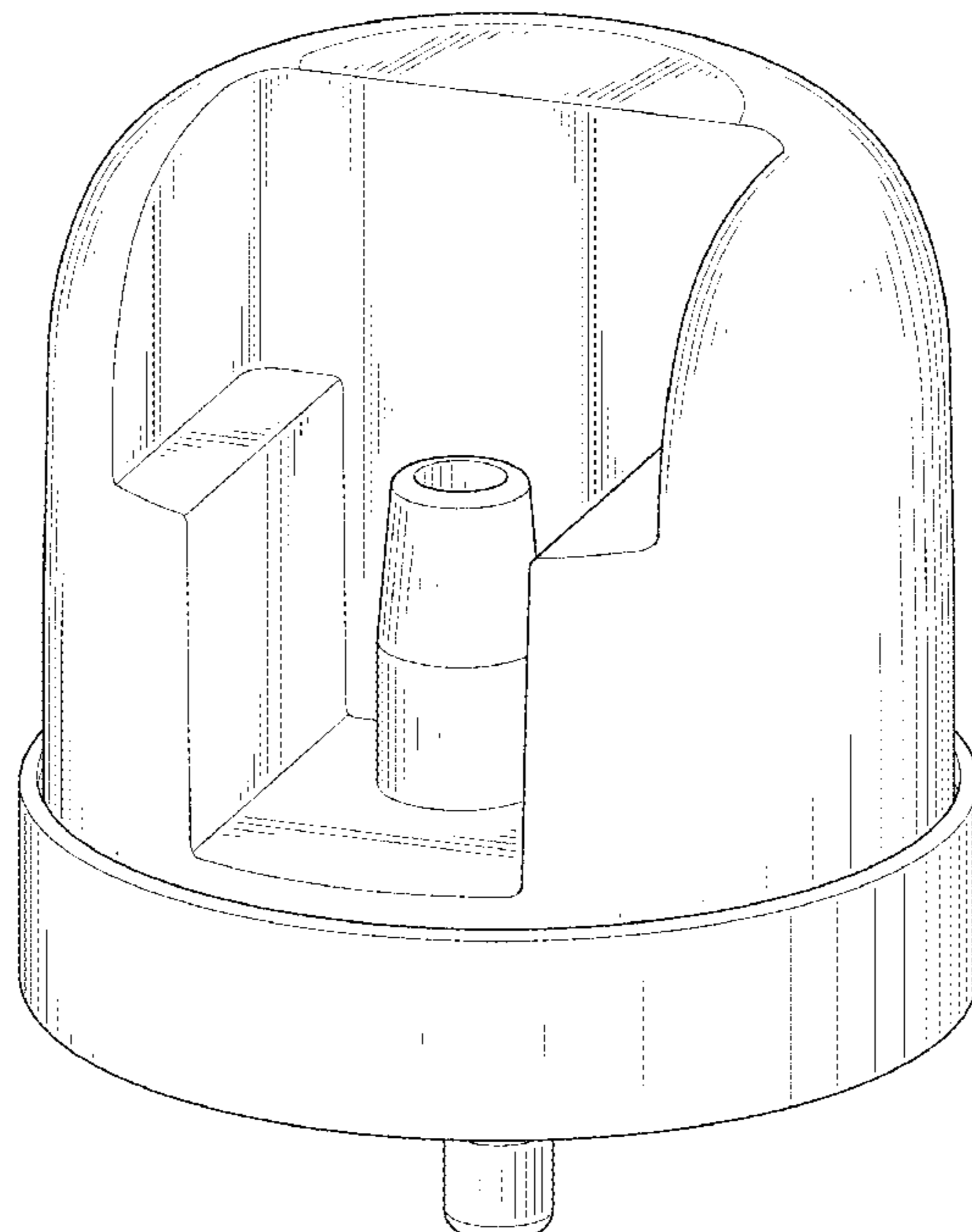
FIG. 1 is a perspective view of a lid for kettles, showing my new design;
FIG. 2 is a front view thereof;
FIG. 3 is a rear view thereof;
FIG. 4 is a left side view thereof;
FIG. 5 is a right side view thereof;
FIG. 6 is a top view thereof;
FIG. 7 is a bottom view thereof; and,
FIG. 8 is another perspective view thereof.

1 Claim, 8 Drawing Sheets

(56) **References Cited**

U.S. PATENT DOCUMENTS

- D280,062 S * 8/1985 Cesaroni D7/325
- D317,838 S * 7/1991 Millet D6/661.3
- D325,483 S * 4/1992 Muhlack D6/661.3



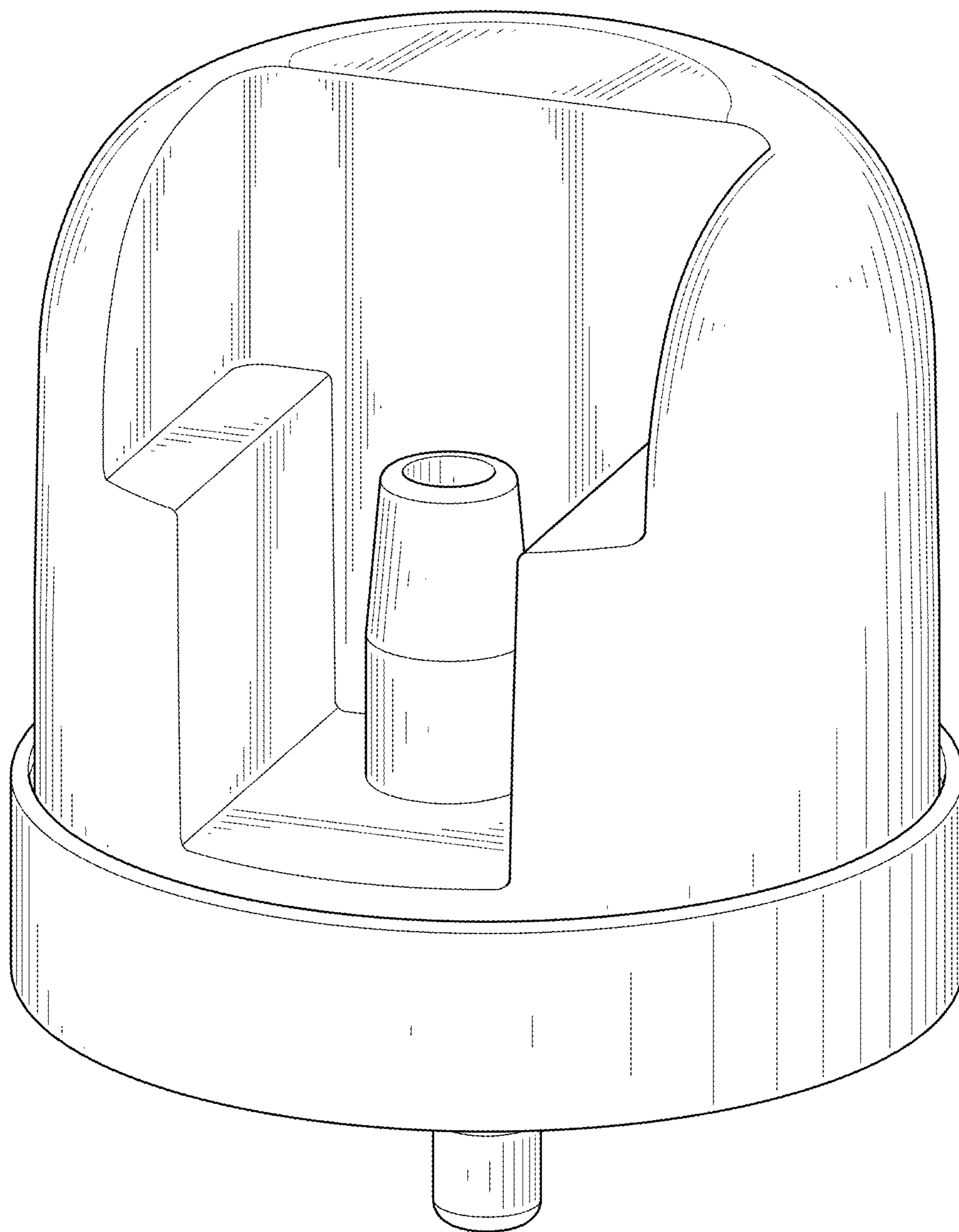


FIG.1

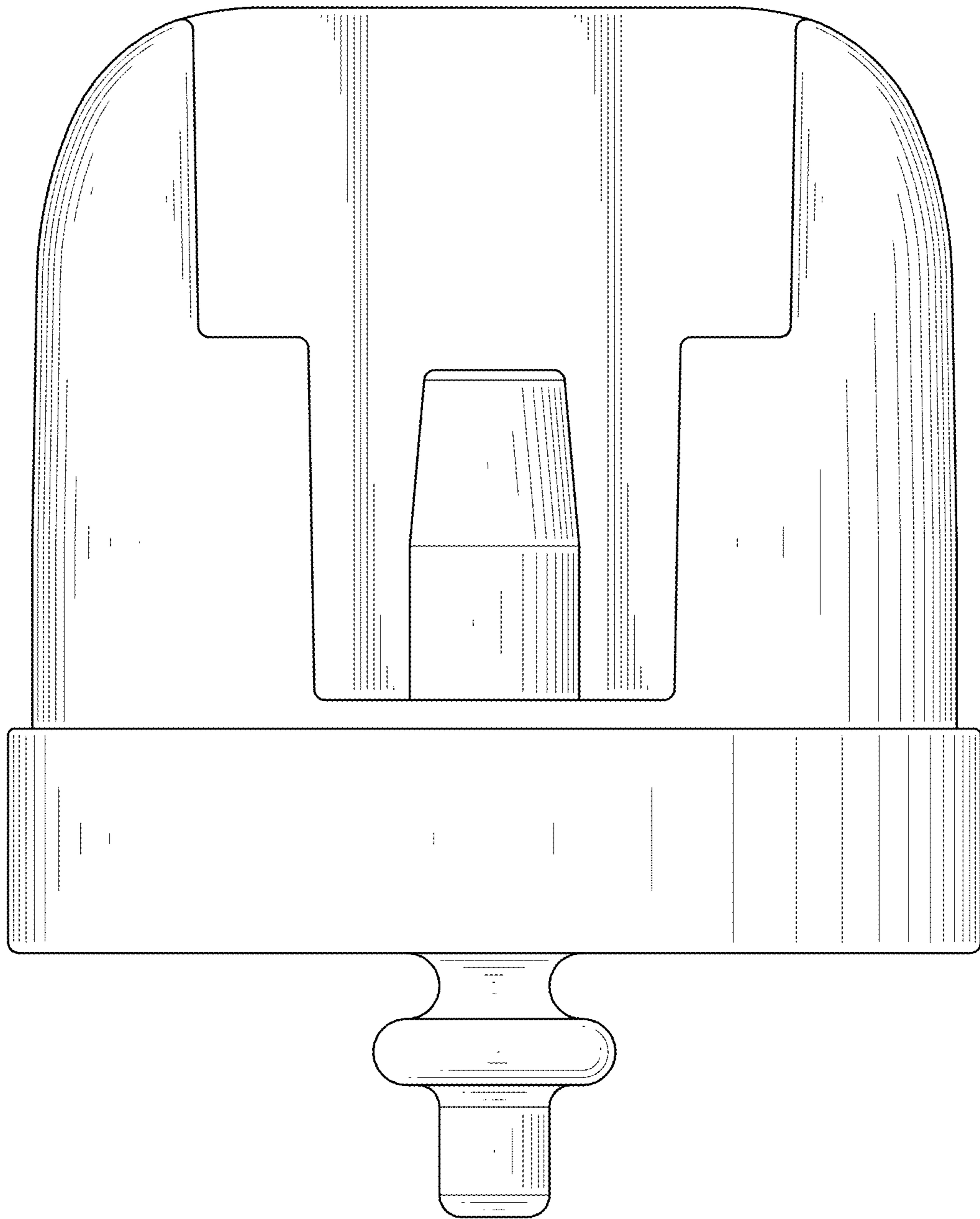


FIG.2

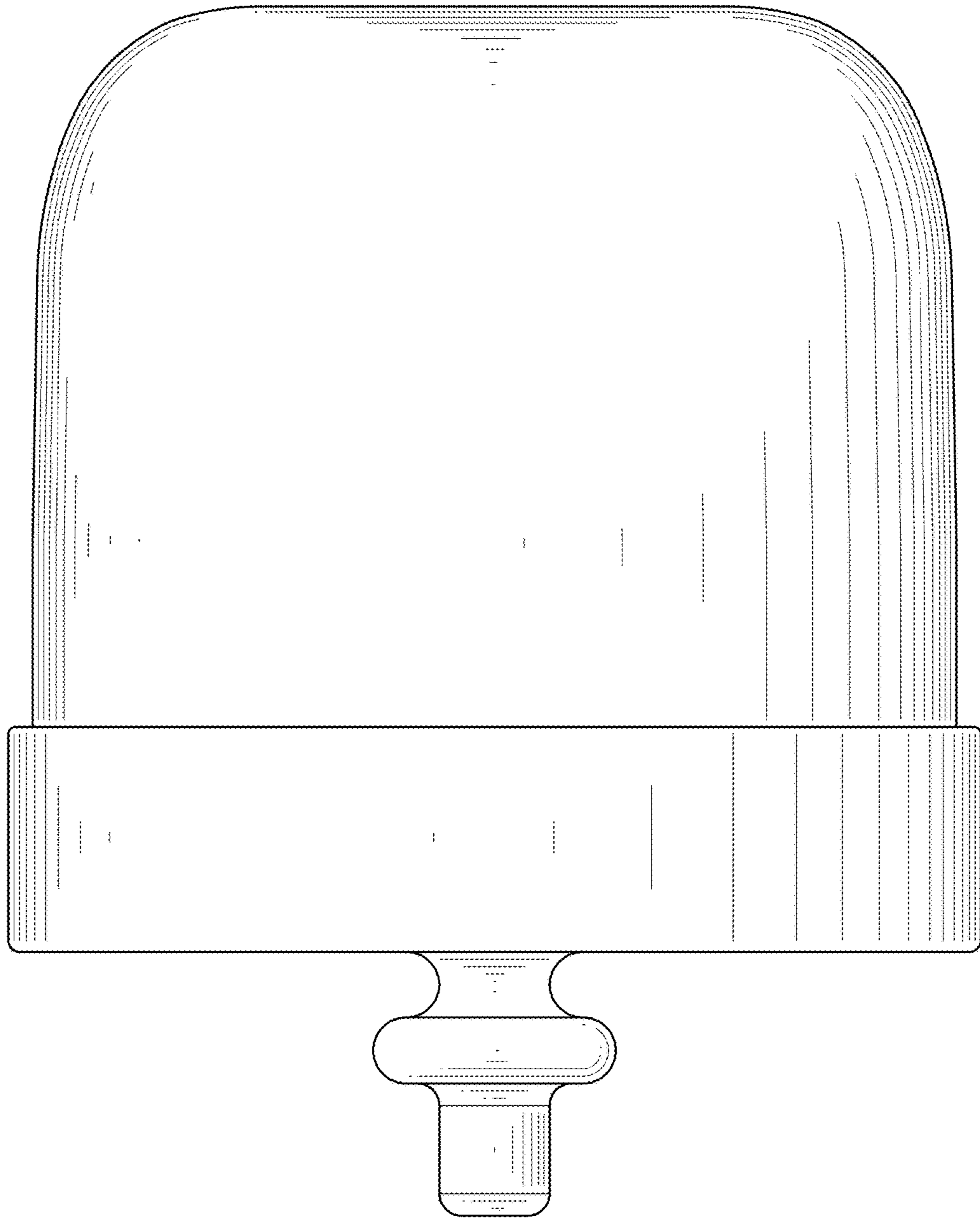


FIG.3

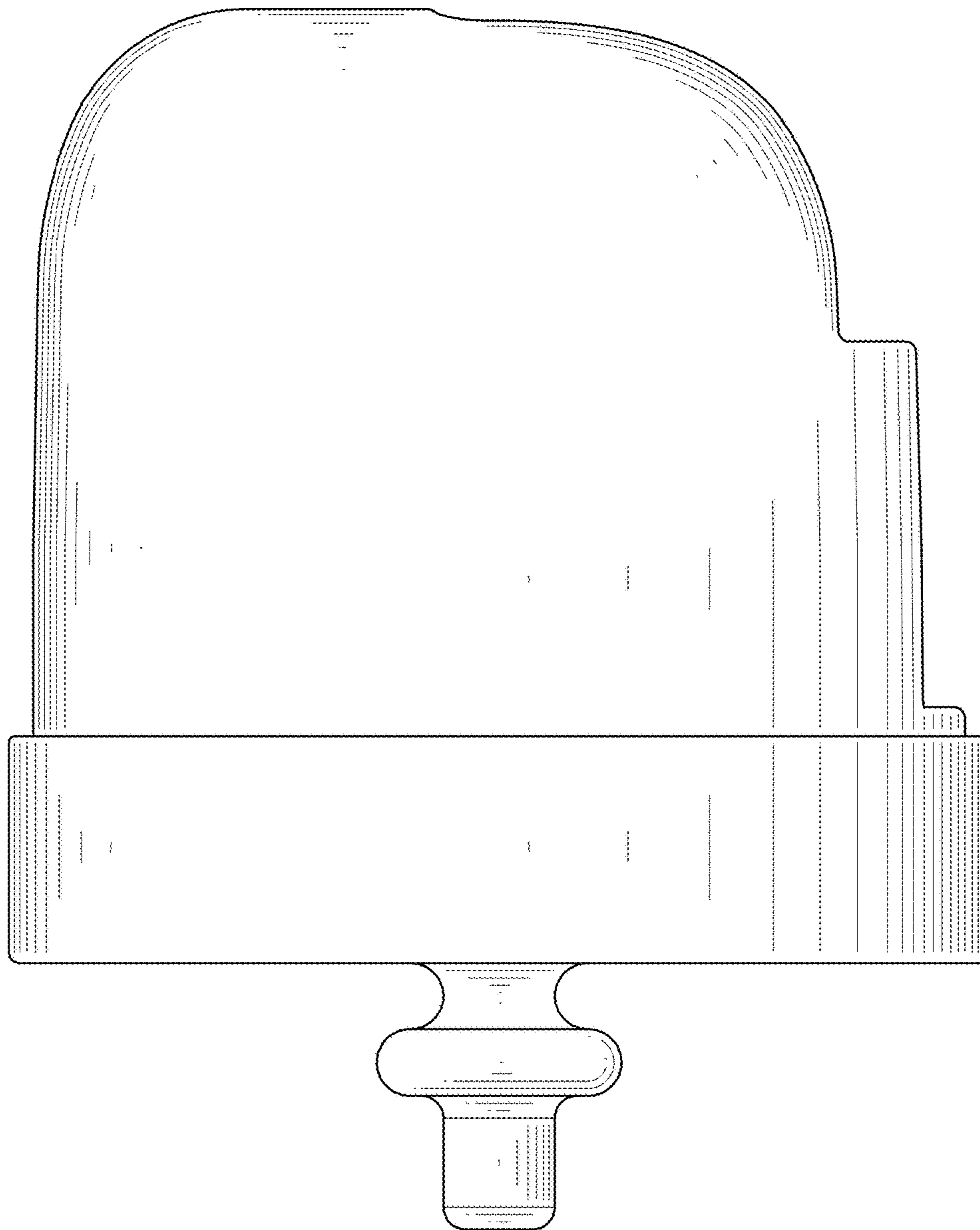


FIG.4

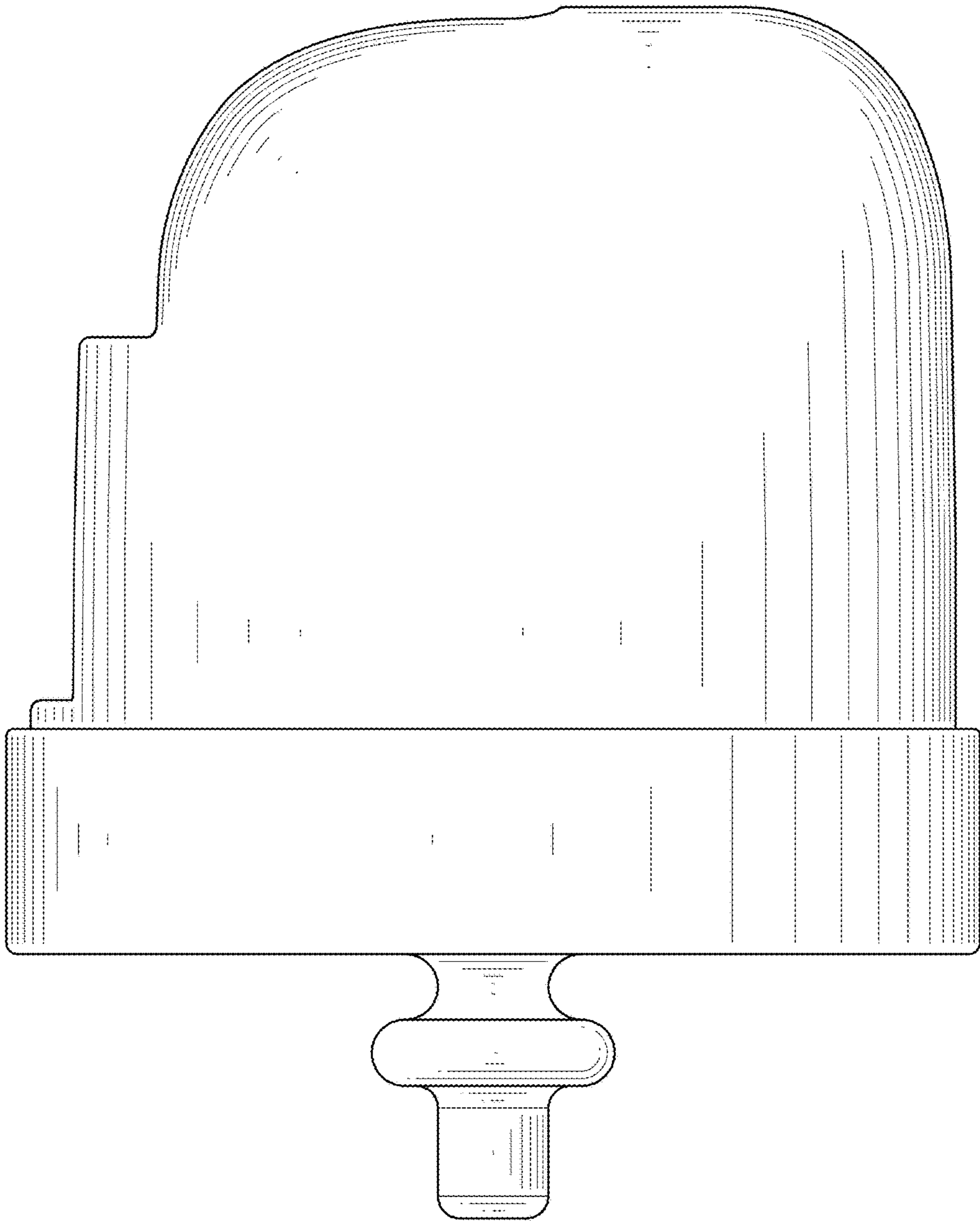


FIG.5

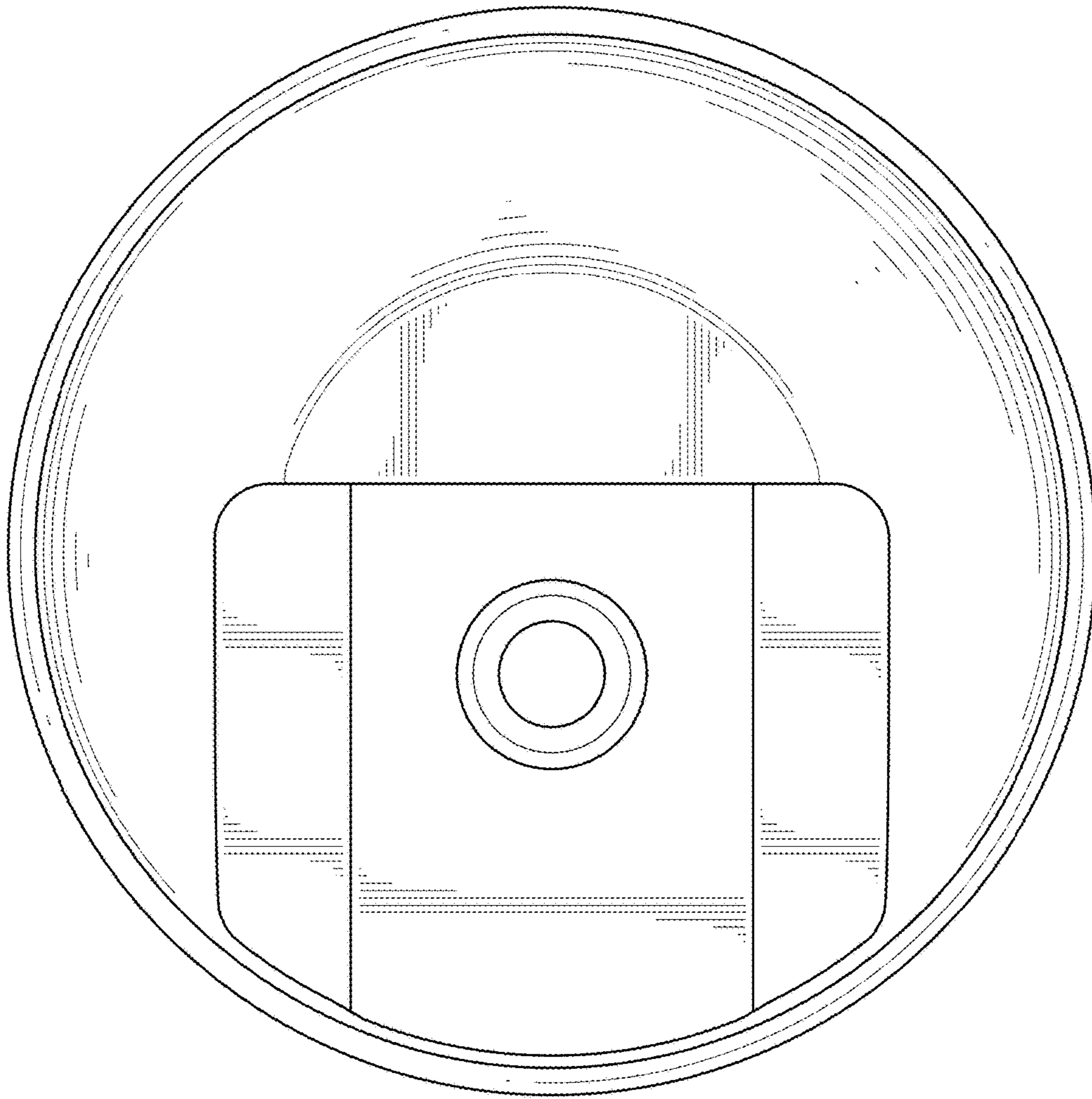


FIG.6

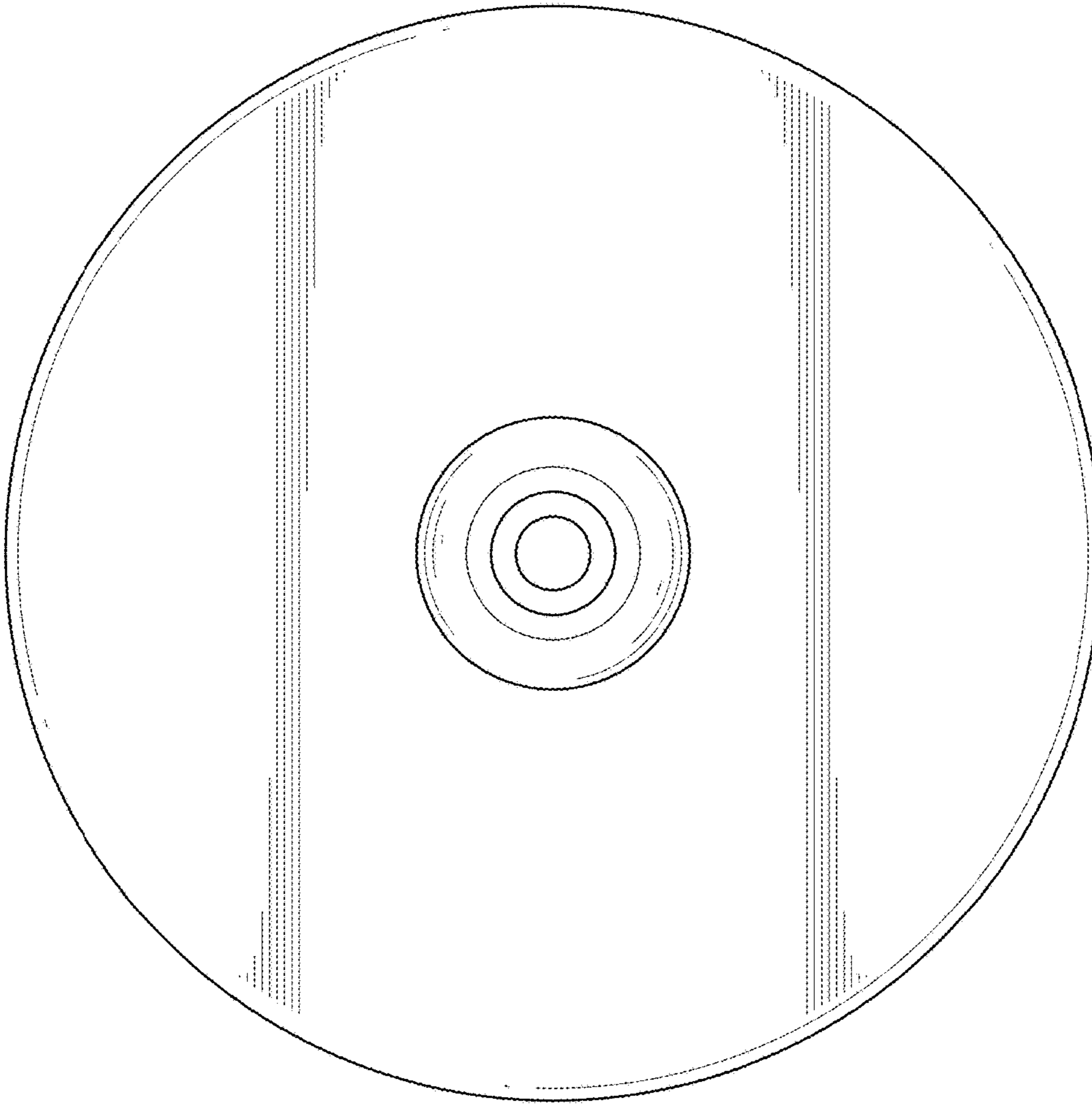


FIG.7

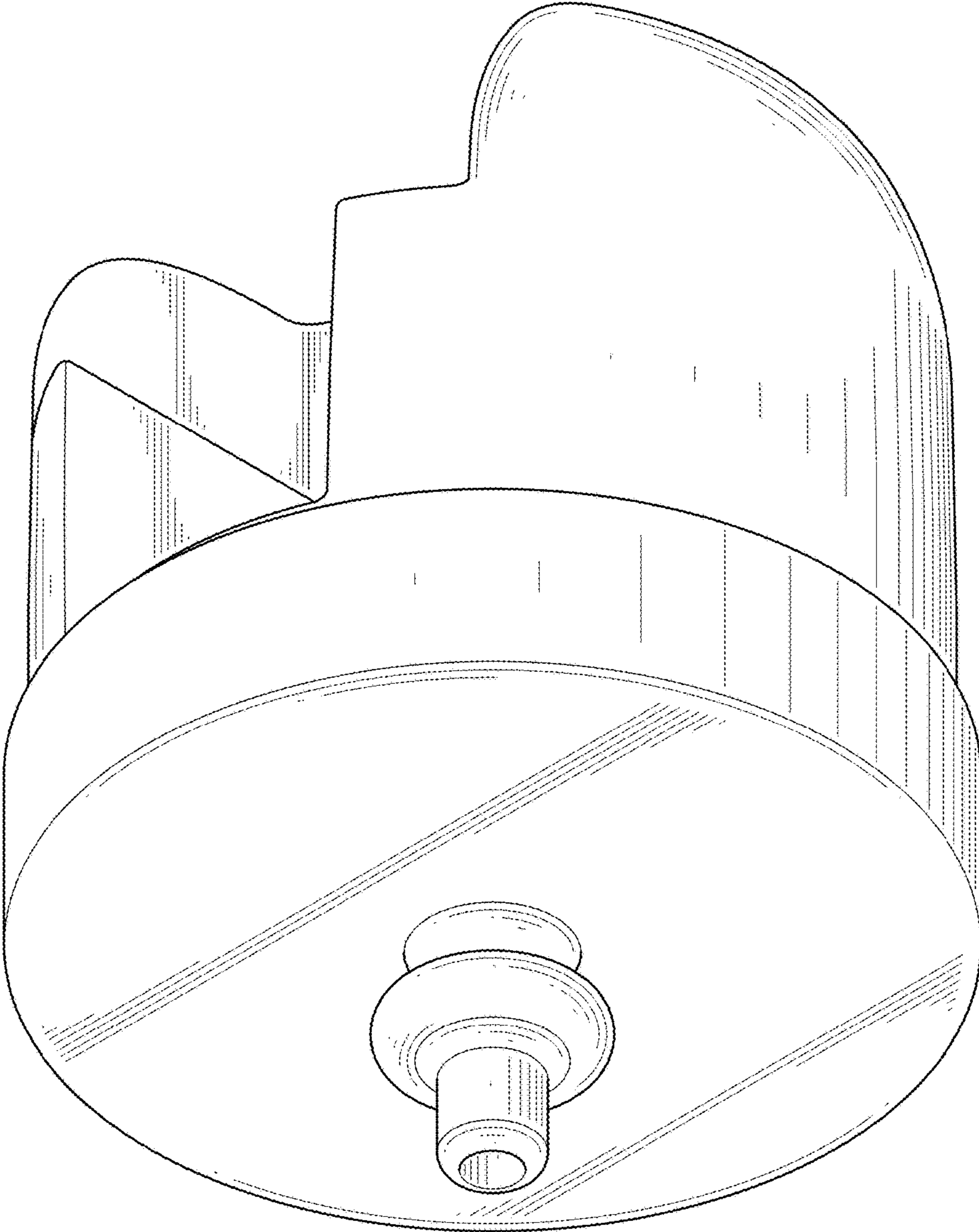


FIG.8