



US00D799262S

(12) **United States Design Patent** (10) **Patent No.:** **US D799,262 S**
Feng (45) **Date of Patent:** **** Oct. 10, 2017**

(54) **MULTI-FUNCTIONAL VEGETABLE PROCESSOR**

(71) Applicant: **Zhejiang Shengli Plastic Co., Ltd.**,
Taizhou, Zhejiang Province (CN)

(72) Inventor: **Shengli Feng**, Taizhou (CN)

(73) Assignee: **Zhejiang Shengli Plastic Co., Ltd.**
(CN)

(**) Term: **15 Years**

(21) Appl. No.: **29/581,624**

(22) Filed: **Oct. 20, 2016**

(30) **Foreign Application Priority Data**

May 30, 2016 (CN) 2016 3 0210157

(51) **LOC (10) Cl.** **31-00**

(52) **U.S. Cl.**
USPC **D7/384; D7/378**

(58) **Field of Classification Search**
USPC D7/372, 376-386, 412-413, 602, 629,
D7/665-666, 669, 678-679, 693-694
CPC .. A21C 1/02; A21C 1/04; A23G 9/045; A23N
1/00; A23N 1/02; A47J 42/34; A47J
43/04; A47J 43/25; A47J 43/27; A47J
43/042; A47J 43/044; A47J 43/046; A47J
43/06; A47J 43/075; A47J 43/0722; A47J
43/0727; B01F 3/00; B01F 3/0807; B01F
3/0853; B01F 13/0059; B01F 13/0064;
B02C 1/08; B02C 2/04; B02C 4/42;
B02C 4/142; B02C 4/143; B02C 4/423;
B02C 13/1835; B28C 5/10; B28C 5/12;
B28C 5/14; B28C 5/16

See application file for complete search history.

(56) **References Cited**

U.S. PATENT DOCUMENTS

4,588,136 A *	5/1986	Homma	A23G 9/045 241/168
5,156,084 A *	10/1992	Lin	A47J 43/06 210/380.1
D395,194 S *	6/1998	Wong	D7/376
D415,938 S *	11/1999	Blaise	D7/678
D426,744 S *	6/2000	Wong	D7/384
D430,775 S *	9/2000	Wong	D7/384
D433,594 S *	11/2000	Wong	D7/384
D434,597 S *	12/2000	Yip	D7/384
D480,613 S *	10/2003	Wong	D7/384
D494,821 S *	8/2004	Spalding	D7/384
6,854,675 B2 *	2/2005	Wong	A47J 42/34 241/92
D530,995 S *	10/2006	Jalet	D7/693
D575,099 S *	8/2008	Jalet	D7/376

* cited by examiner

Primary Examiner — Ricky Pham

(74) *Attorney, Agent, or Firm* — St. Onge Steward
Johnston & Reens, LLC

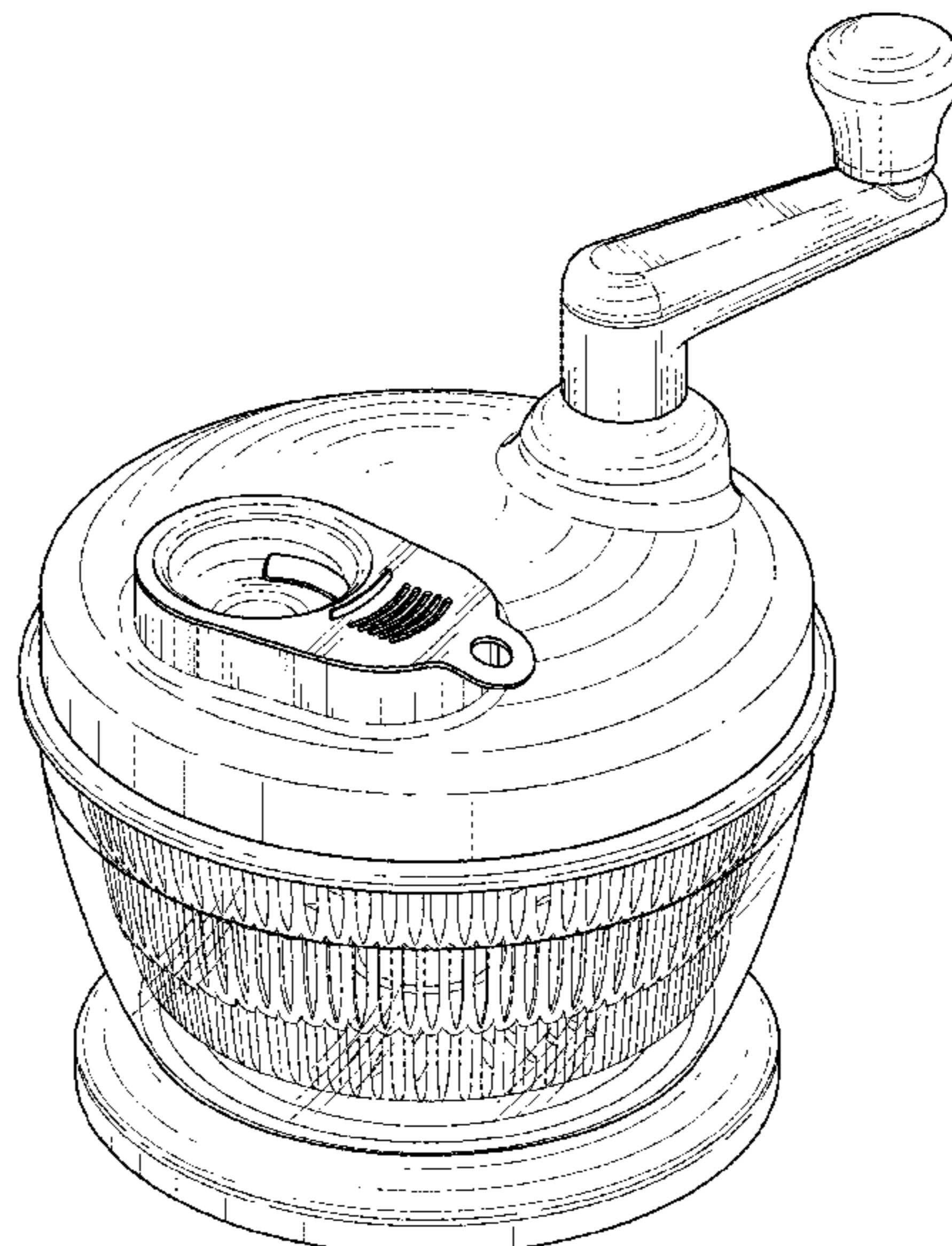
(57) **CLAIM**

The ornamental design for a multi-functional vegetable processor, as shown and described.

DESCRIPTION

FIG. 1 is a perspective view of a multi-functional vegetable processor in accordance with the new design;
 FIG. 2 is a front view thereof;
 FIG. 3 is a rear view thereof;
 FIG. 4 is a right view thereof;
 FIG. 5 is a left view thereof;
 FIG. 6 is a top view thereof; and,
 FIG. 7 is a bottom view thereof.
 The broken lines shown in the drawings are for illustrative purposes only and form no part of the claimed design.

1 Claim, 5 Drawing Sheets



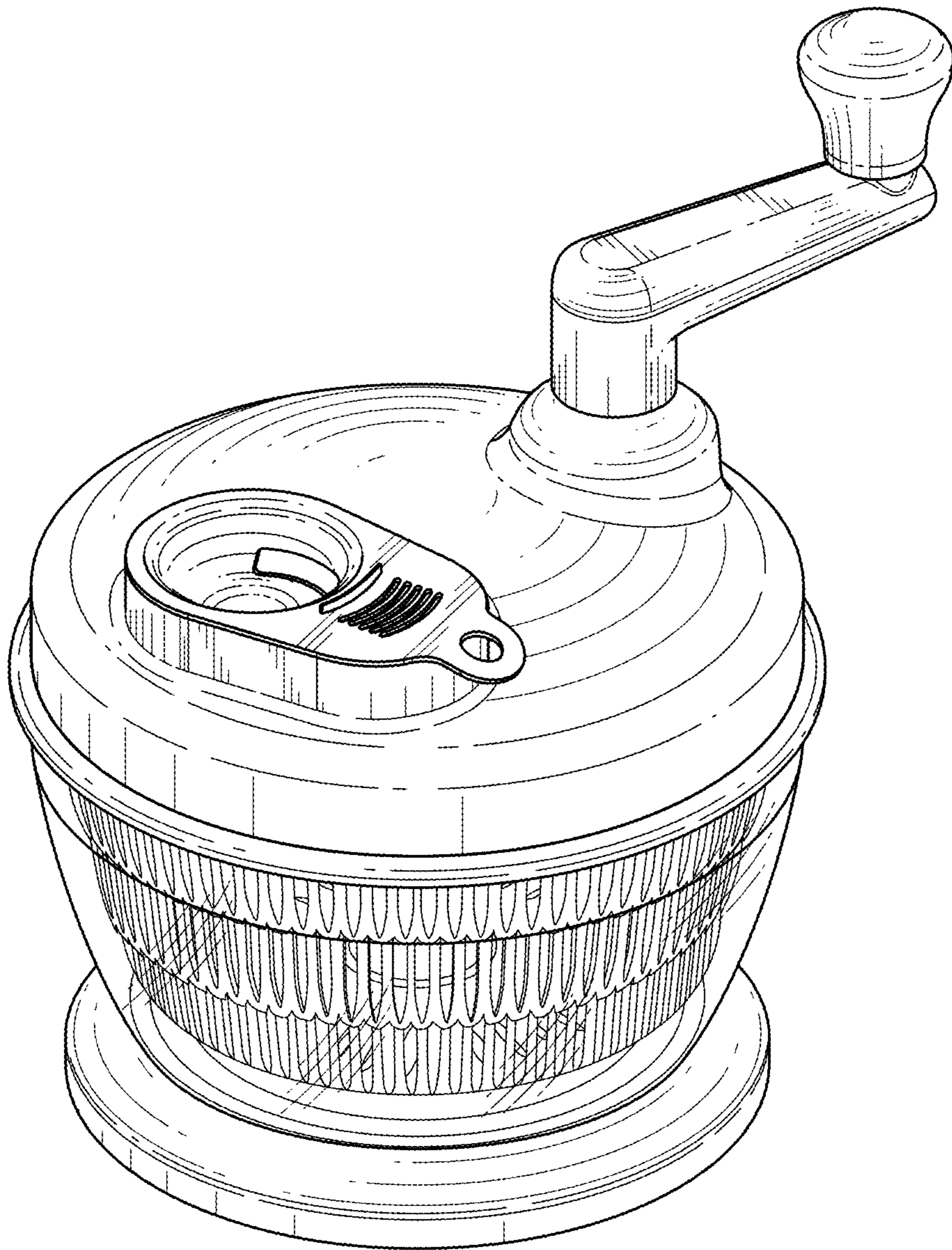


FIG. 1

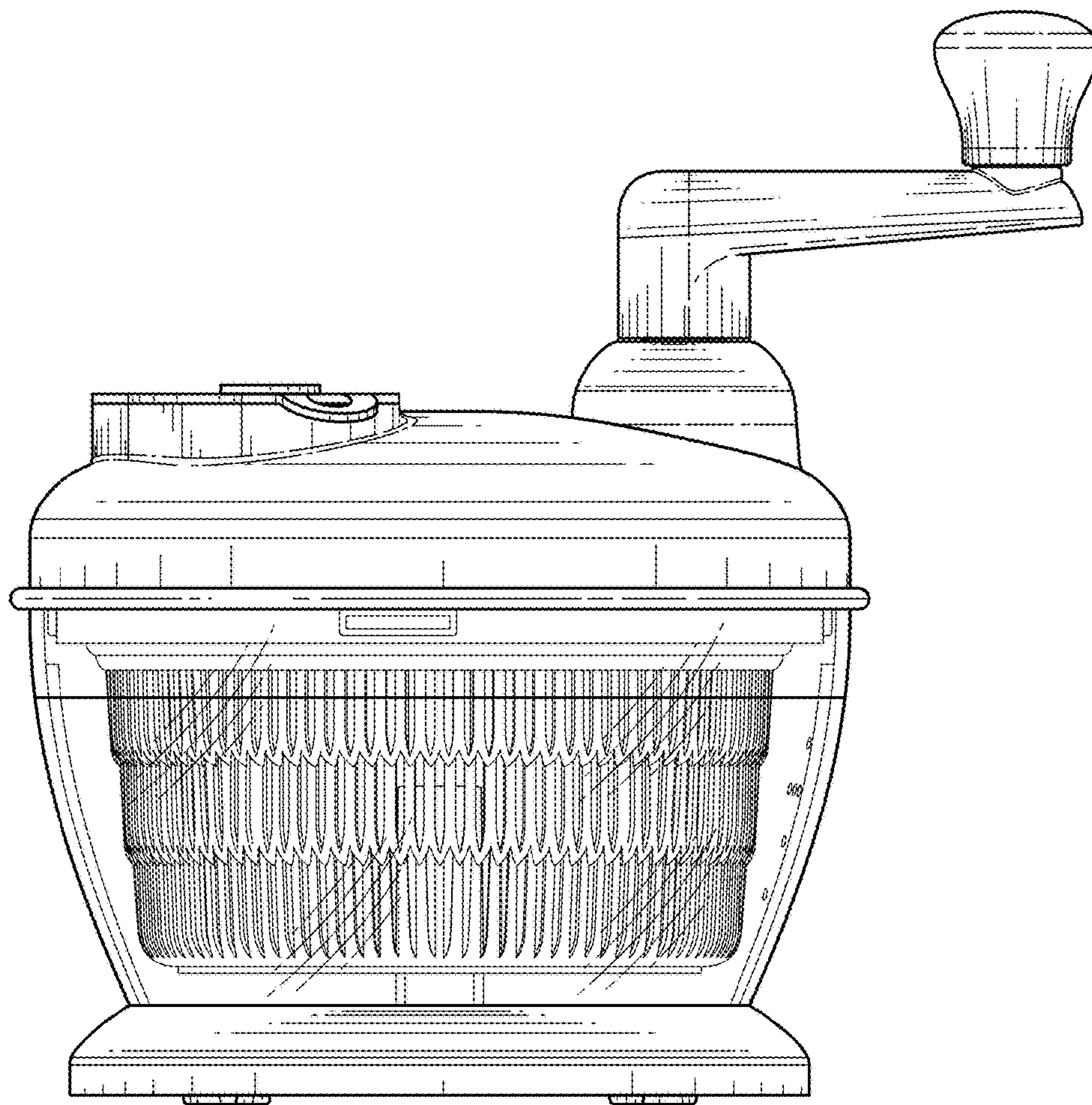


FIG. 2

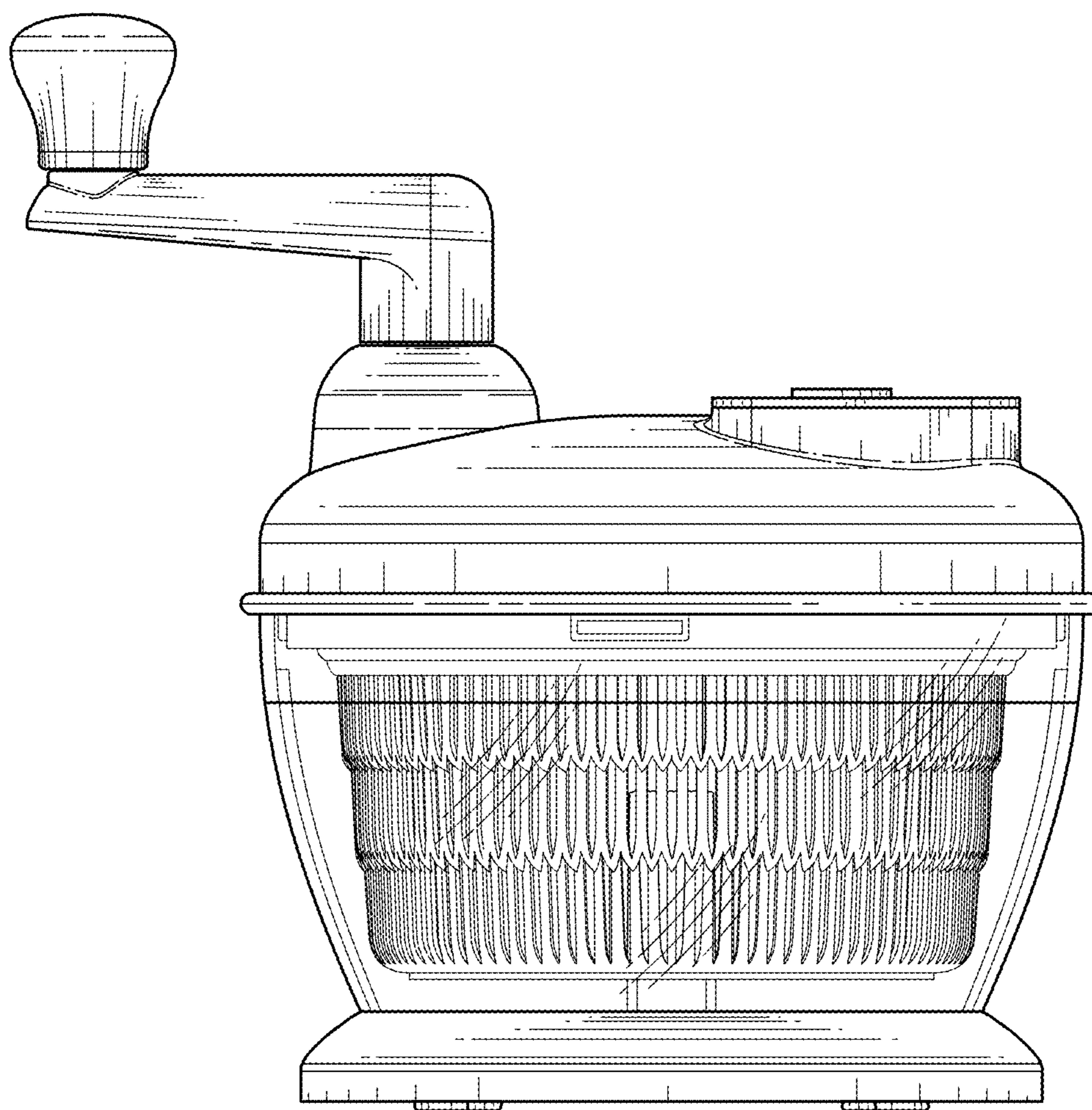


FIG. 3

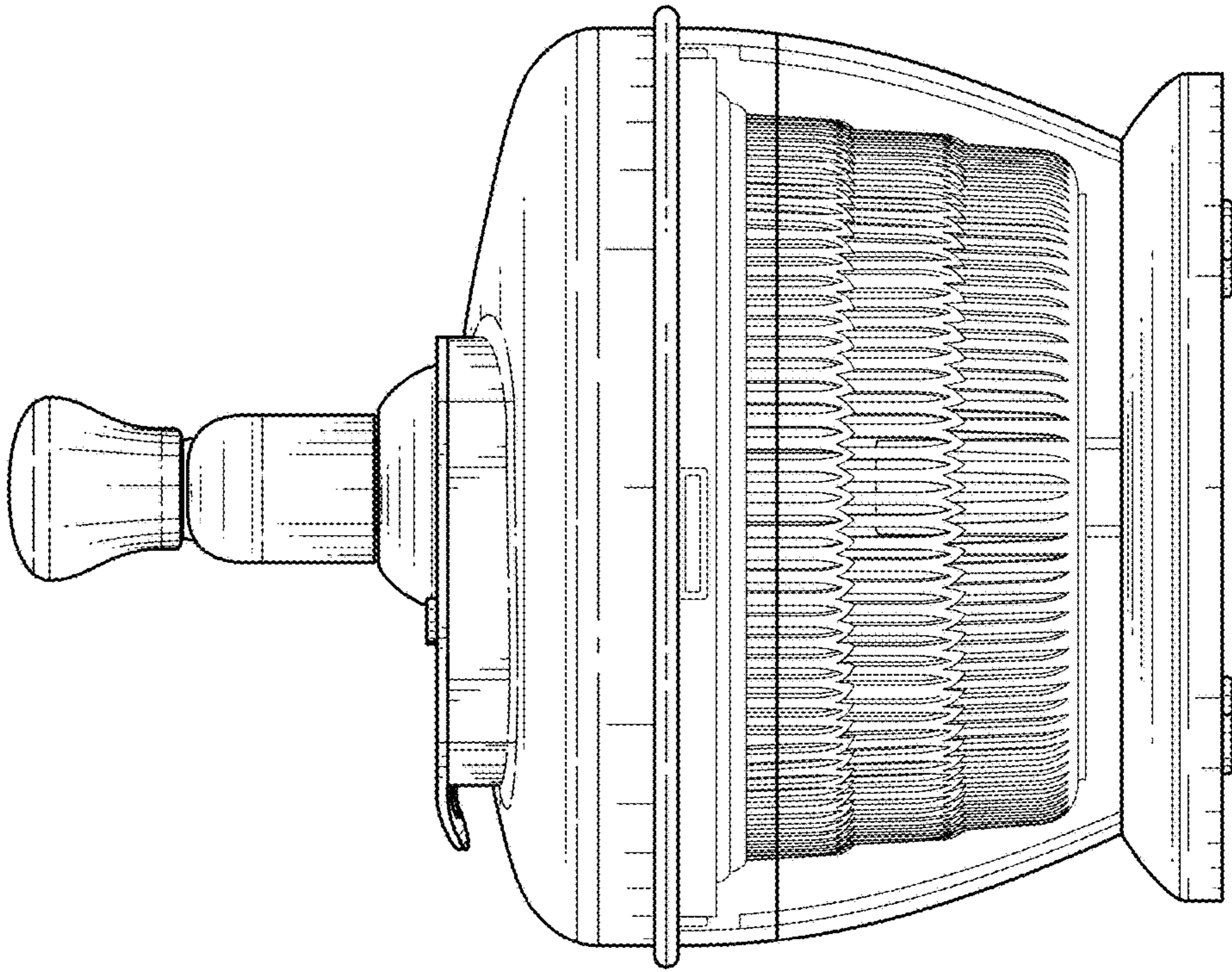


FIG. 5

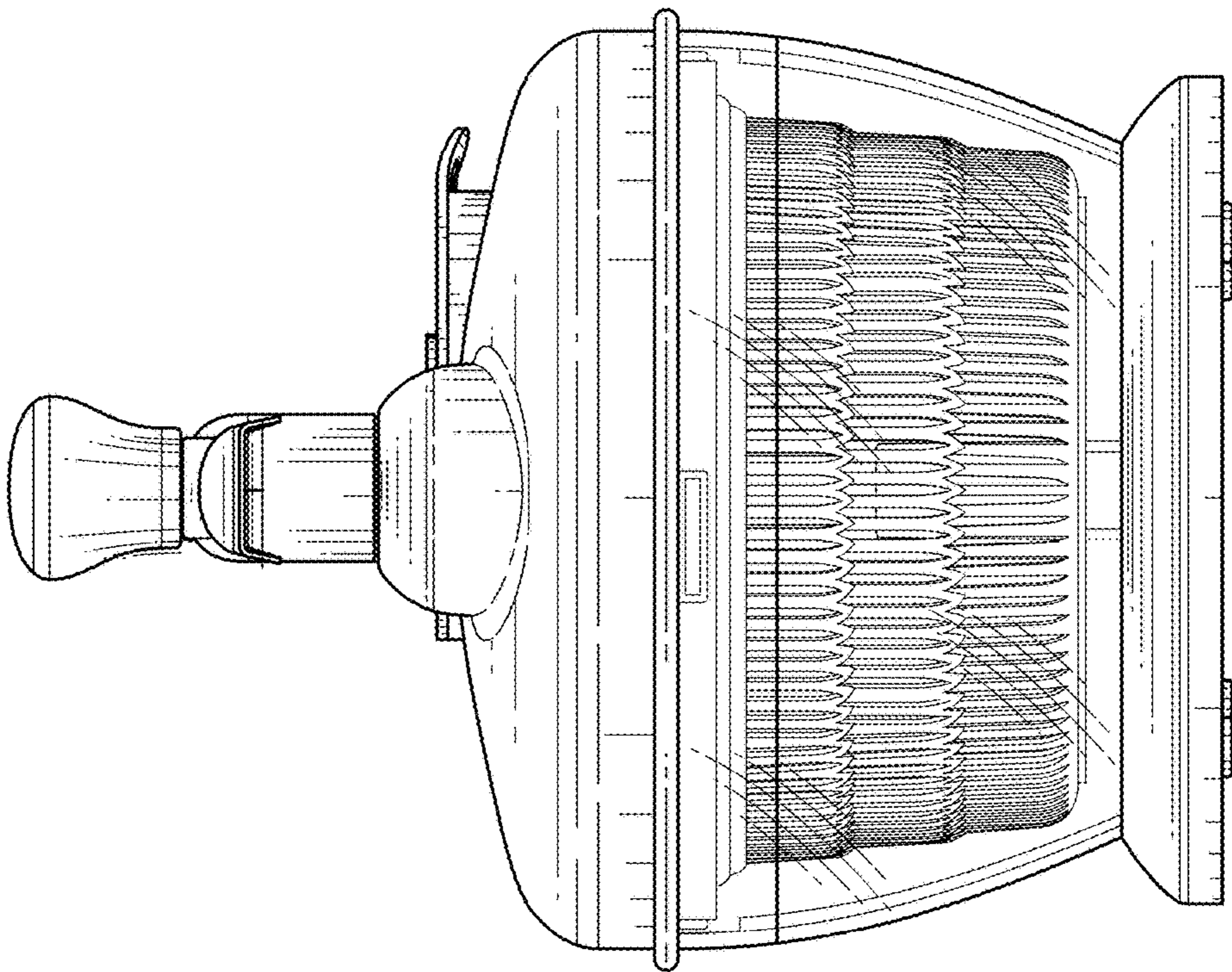


FIG. 4

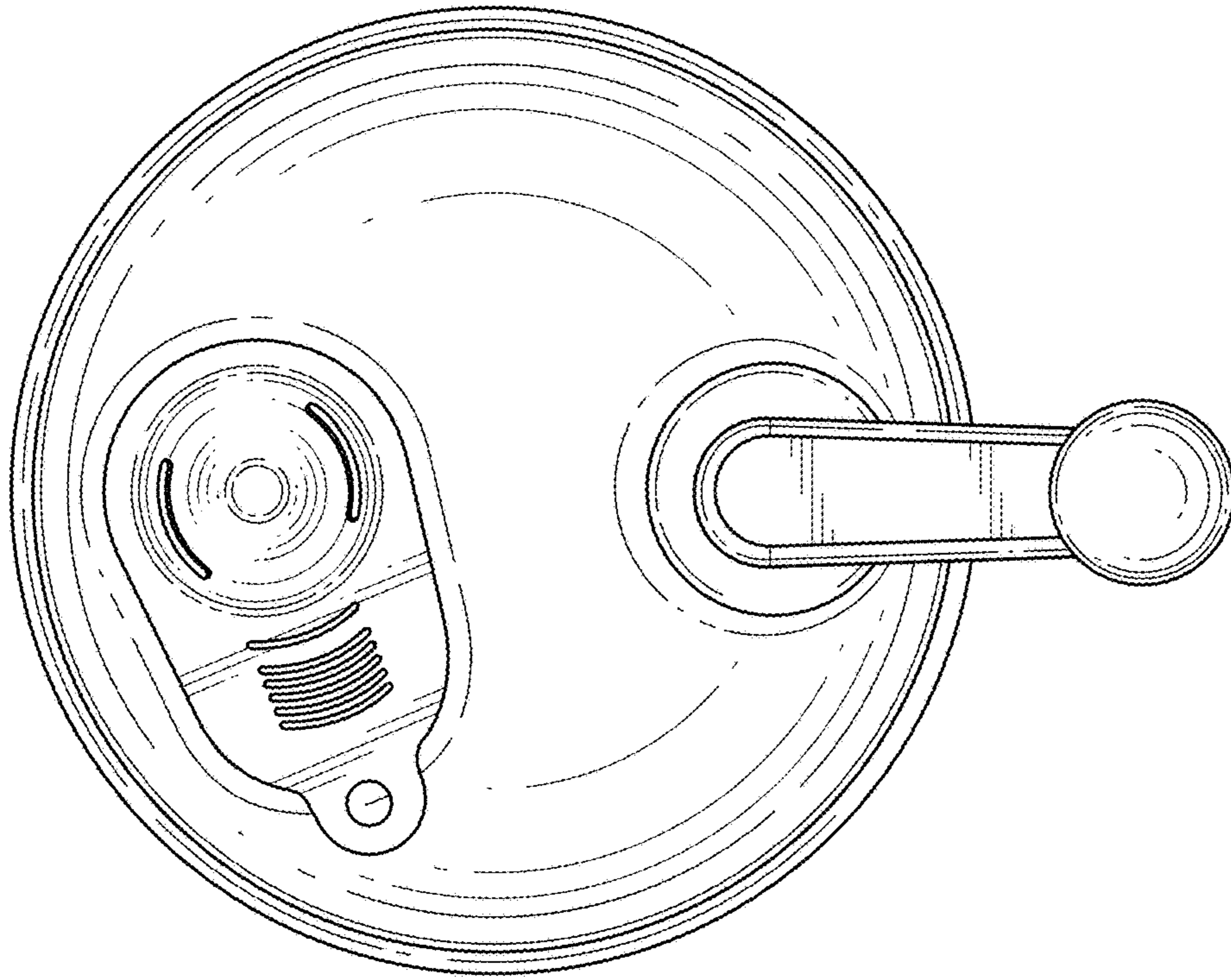


FIG. 6

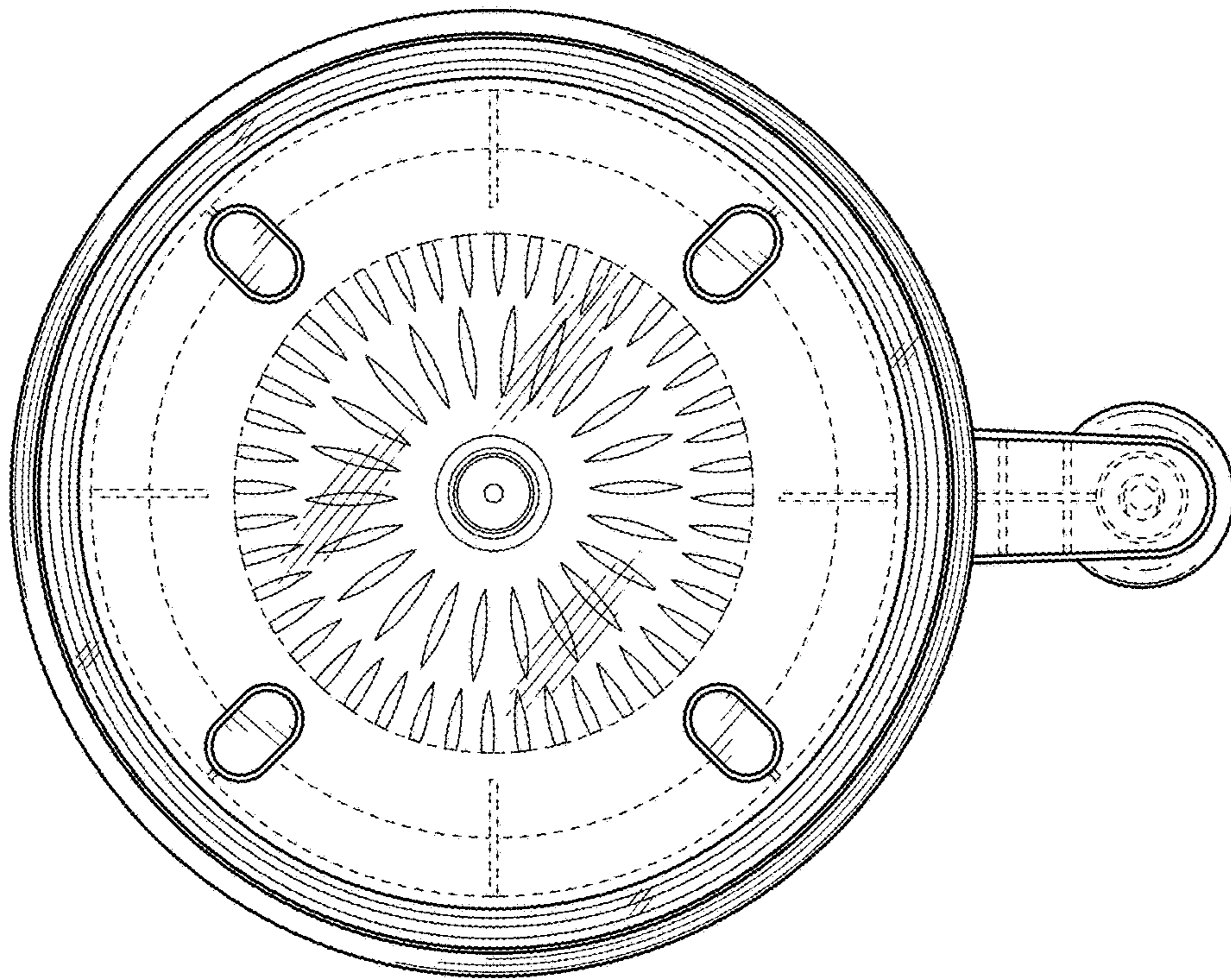


FIG. 7