



US00D799261S

(12) **United States Design Patent** (10) **Patent No.:** **US D799,261 S**
Palese et al. (45) **Date of Patent:** **** Oct. 10, 2017**

(54) **TENDERIZER**

(71) Applicant: **BLUE SKY INNOVATION GROUP LLC**, Avon, OH (US)

(72) Inventors: **Jeffrey Palese**, North Ridgeville, OH (US); **Joseph J. Smith**, North Ridgeville, OH (US); **Robert J. Becaj, Jr.**, Olmsted Township, OH (US)

(73) Assignee: **Blue Sky Innovation Group LLC**, Avon, OH (US)

(**) Term: **15 Years**

(21) Appl. No.: **29/549,631**

(22) Filed: **Dec. 28, 2015**

(51) **LOC (10) Cl.** **31-00**

(52) **U.S. Cl.**
USPC **D7/382**

(58) **Field of Classification Search**
USPC D7/672-676, 693, 359, 412, 376-386, D7/677-679, 372-375, 694-698; 83/932; 99/353
CPC B26D 3/24-3/283; B26D 2003/285-2003/288; B26D 2210/02; B26D 7/00; B26D 7/01; A47J 43/25; A47J 43/255; A22C 17/0026; B02C 18/30-18/302

See application file for complete search history.

(56) **References Cited**

U.S. PATENT DOCUMENTS

- 889,572 A * 6/1908 Biggs B02C 18/302 241/246
- D151,322 S * 10/1948 Cenci D7/372
- D173,029 S * 9/1954 Green D7/372
- D373,507 S * 9/1996 Cummins D7/412
- D484,738 S * 1/2004 Wong D7/372
- D531,850 S * 11/2006 Wong D7/372

- D641,596 S * 7/2011 Chan D7/673
- D677,975 S * 3/2013 Jin D7/372
- D708,915 S * 7/2014 Wong D7/693
- 2012/0286077 A1* 11/2012 York A22C 17/0026 241/24.16
- 2013/0233181 A1* 9/2013 Allen A47J 27/04 99/353
- 2014/0158800 A1* 6/2014 Bordes A47J 43/255 241/278.2

(Continued)

Primary Examiner — Susan Bennett Hattan

Assistant Examiner — Brett Miller

(74) *Attorney, Agent, or Firm* — Tarolli, Sundheim, Covell & Tummino LLP

(57) **CLAIM**

The ornamental design for a tenderizer, as shown and described.

DESCRIPTION

FIG. 1 is a front perspective view of a tenderizer illustrating our new design.

FIG. 2 is a rear perspective view of a tenderizer illustrating our new design.

FIG. 3 is a front view of a tenderizer illustrating our new design.

FIG. 4 is a rear view of a tenderizer illustrating our new design.

FIG. 5 is a right side view of a tenderizer illustrating our new design.

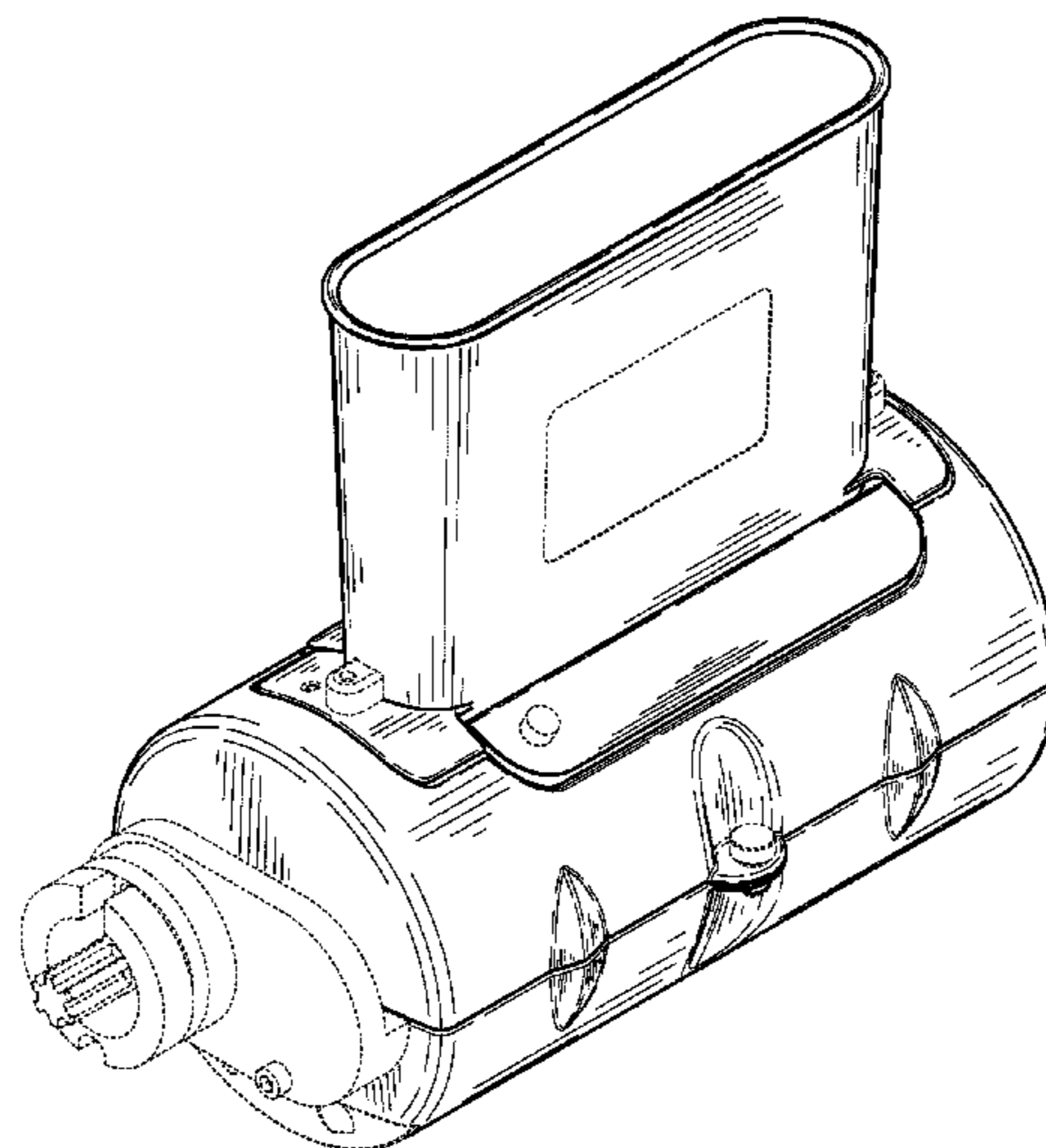
FIG. 6 is a left side view of a tenderizer illustrating our new design.

FIG. 7 is a top view of a tenderizer illustrating our new design; and,

FIG. 8 is a bottom view of a tenderizer illustrating our new design.

Portions illustrated in broken lines in all views are unclaimed portions of the article shown for illustrative purposes only and form no part of the claimed design.

1 Claim, 6 Drawing Sheets



(56)

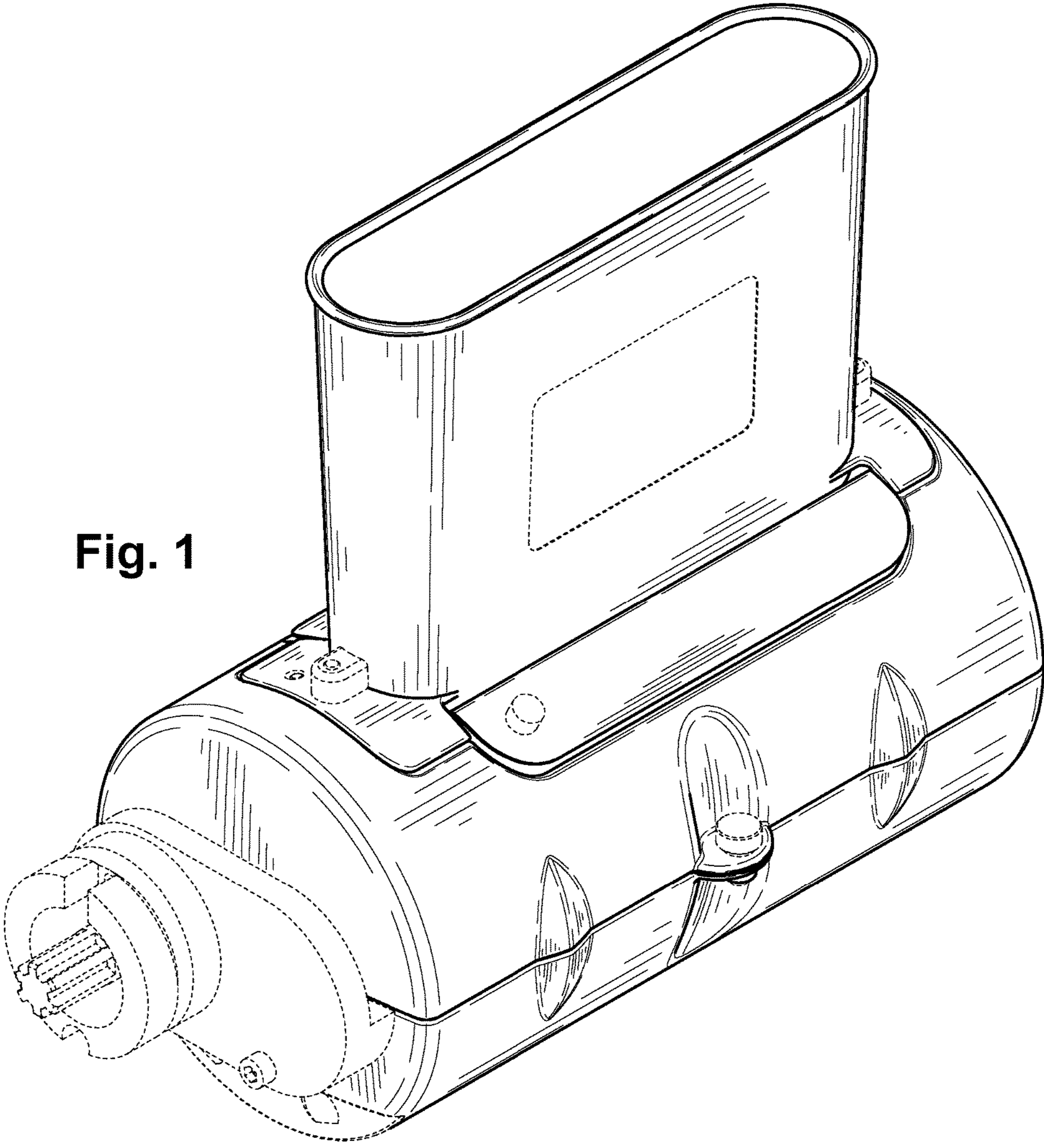
References Cited

U.S. PATENT DOCUMENTS

2014/0352558 A1* 12/2014 Wong A47J 43/255
100/98 R

* cited by examiner

Fig. 1



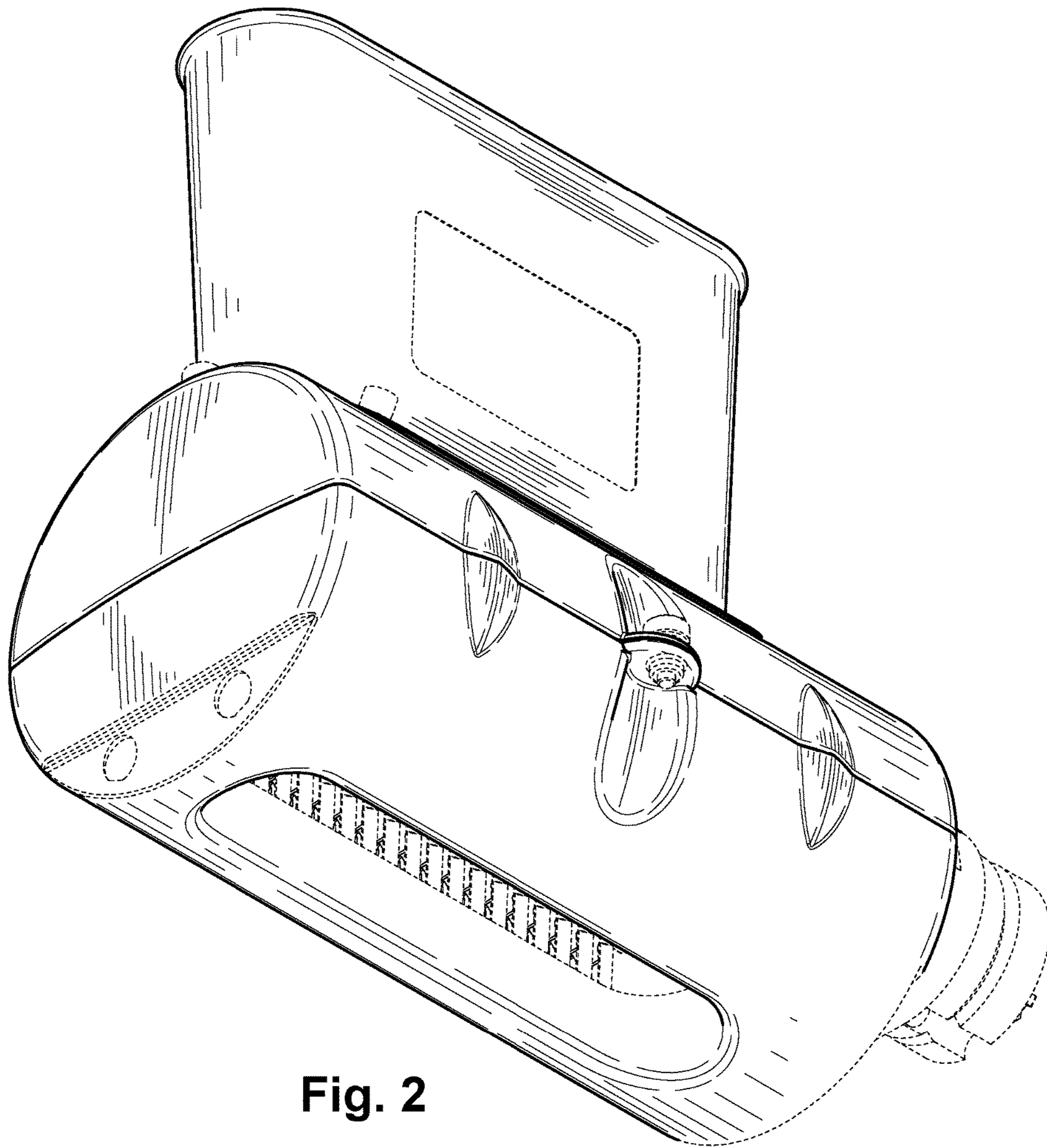


Fig. 2

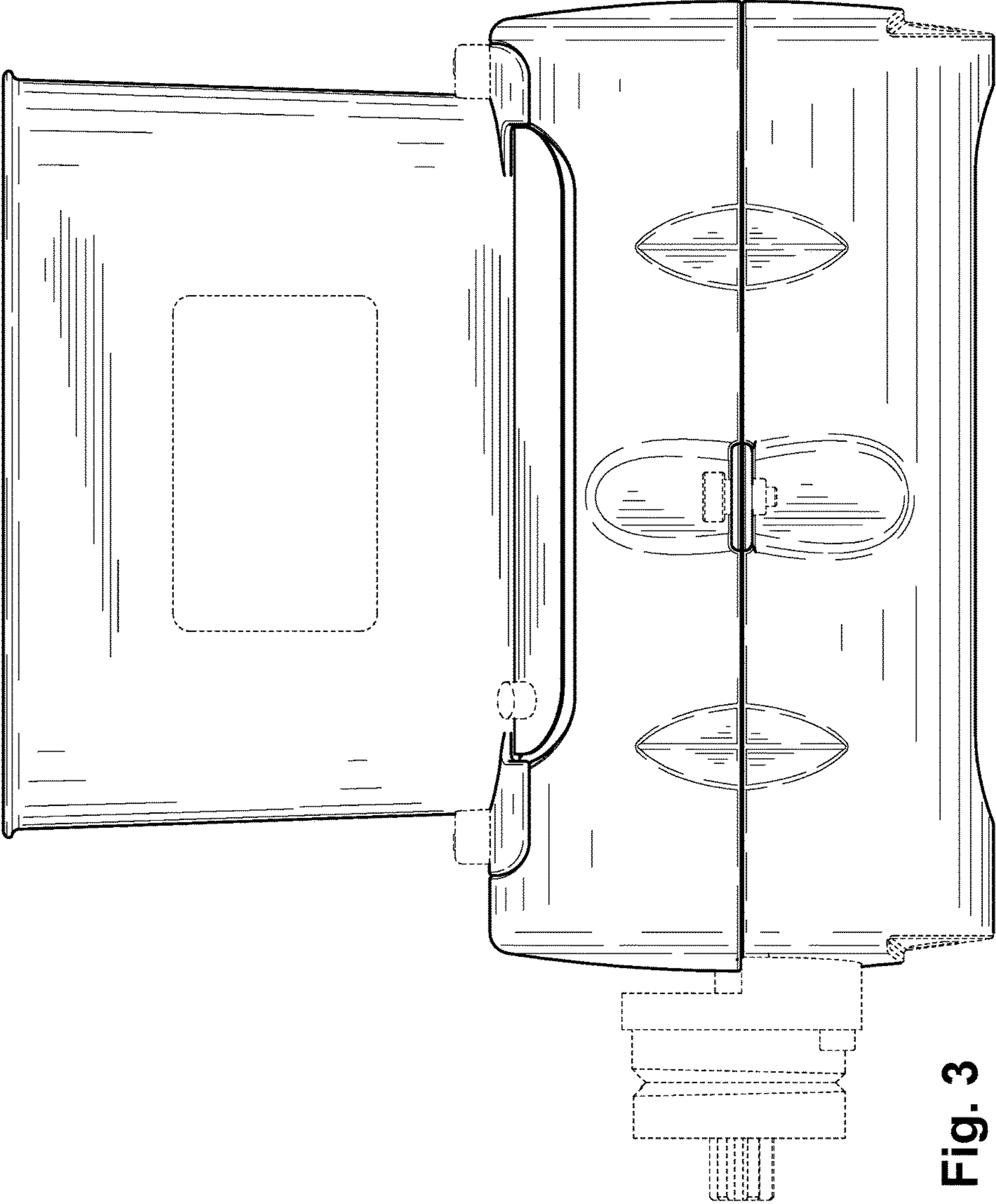


Fig. 3

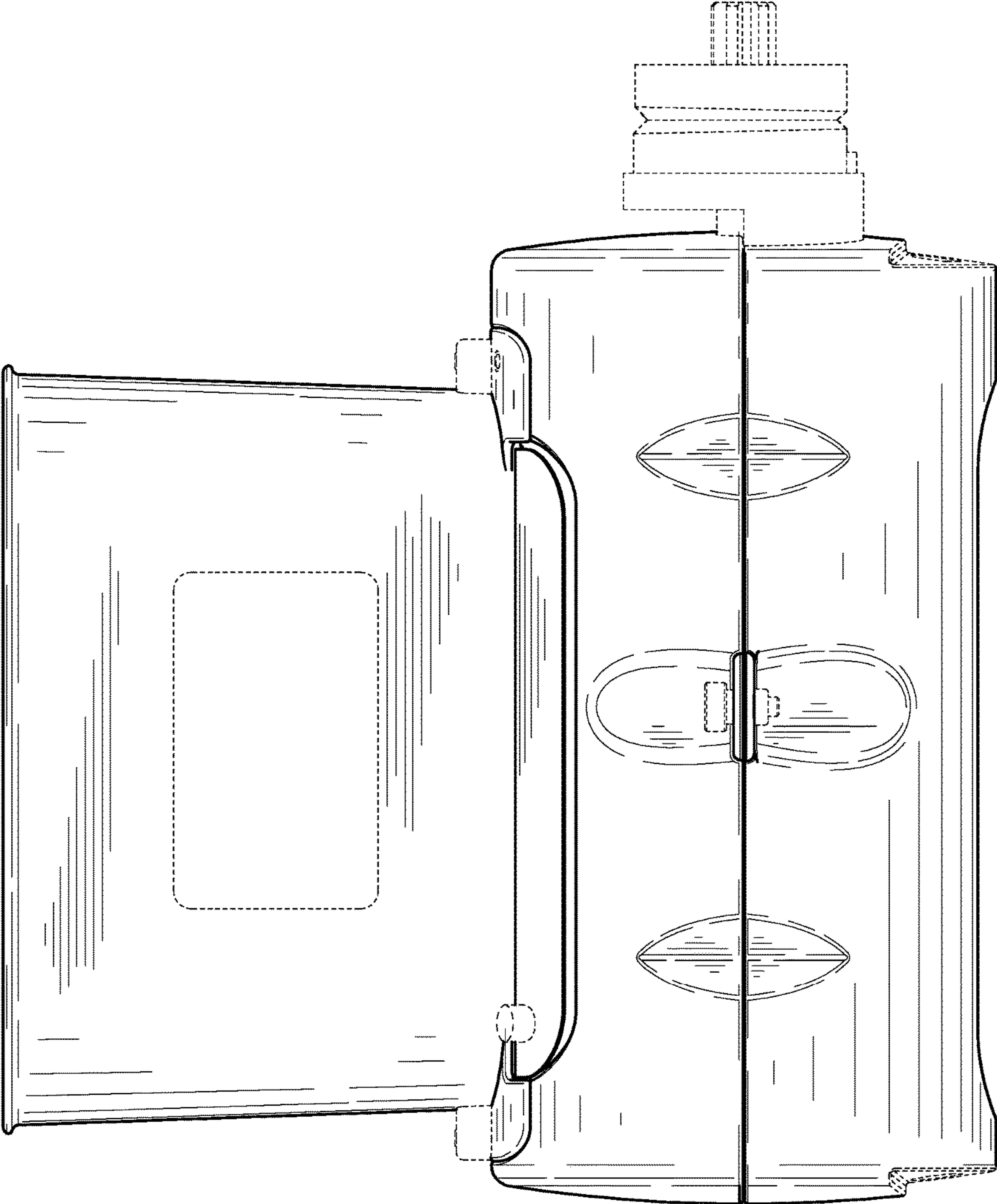


Fig. 4

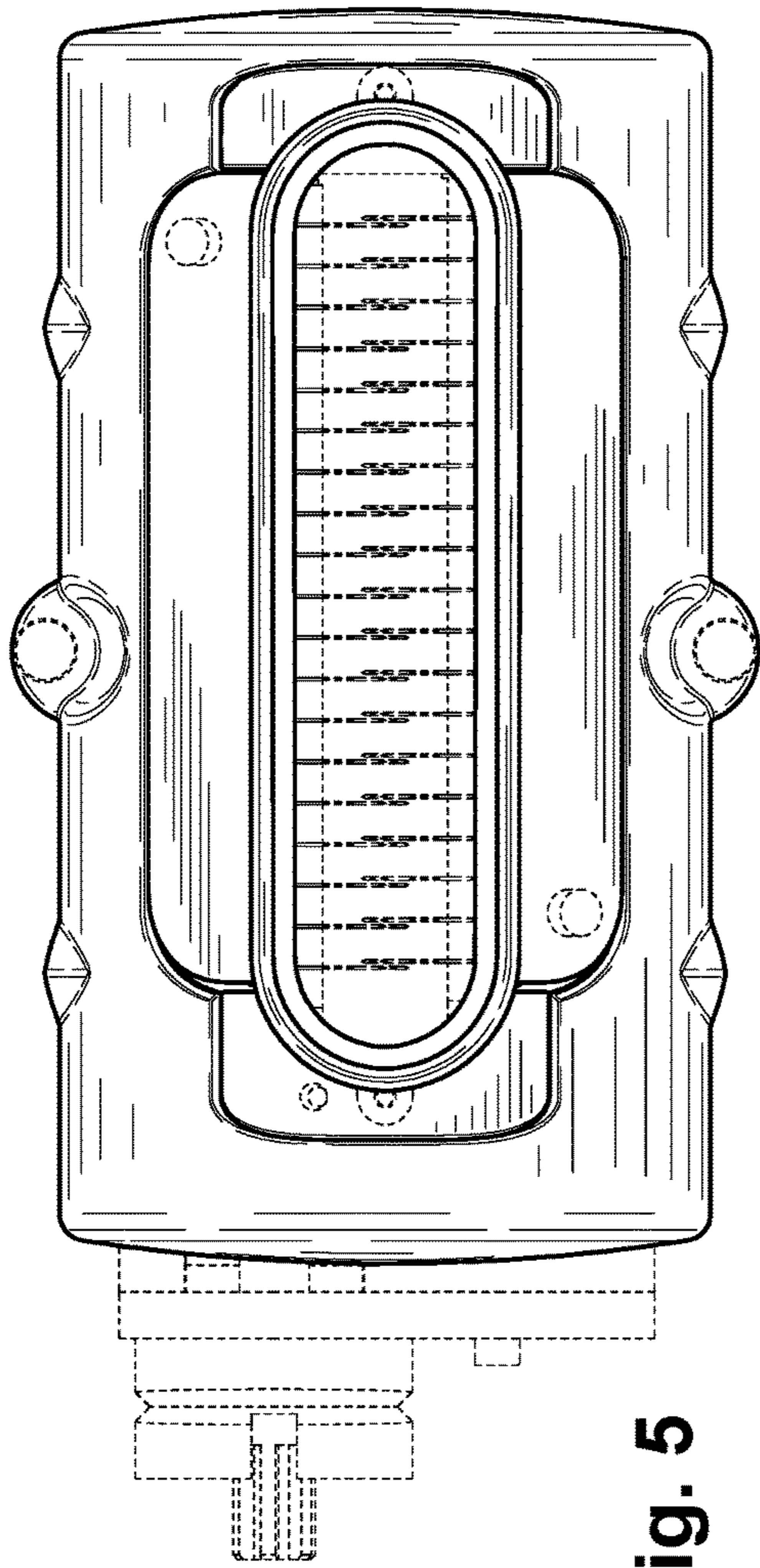


Fig. 5

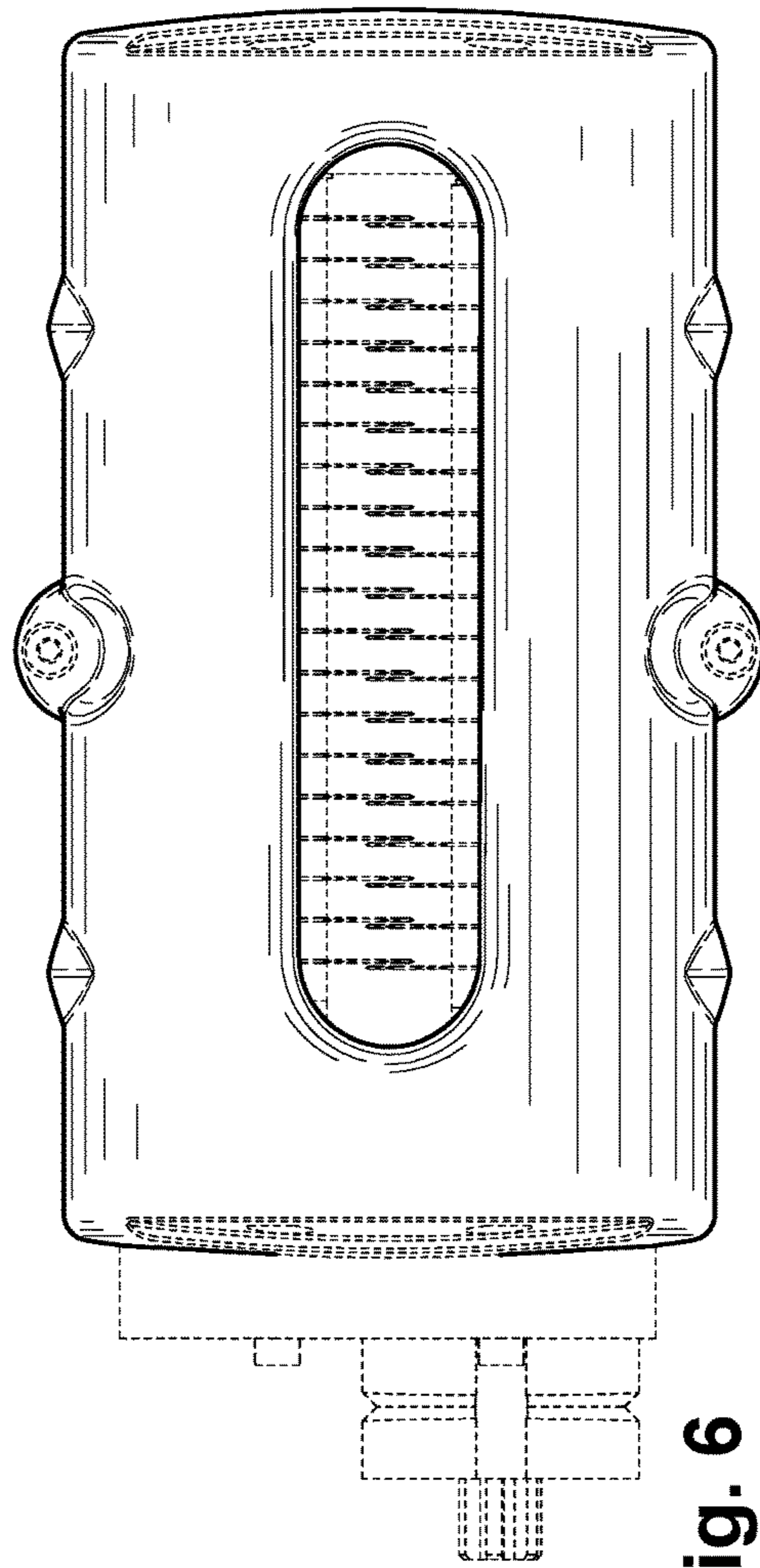


Fig. 6

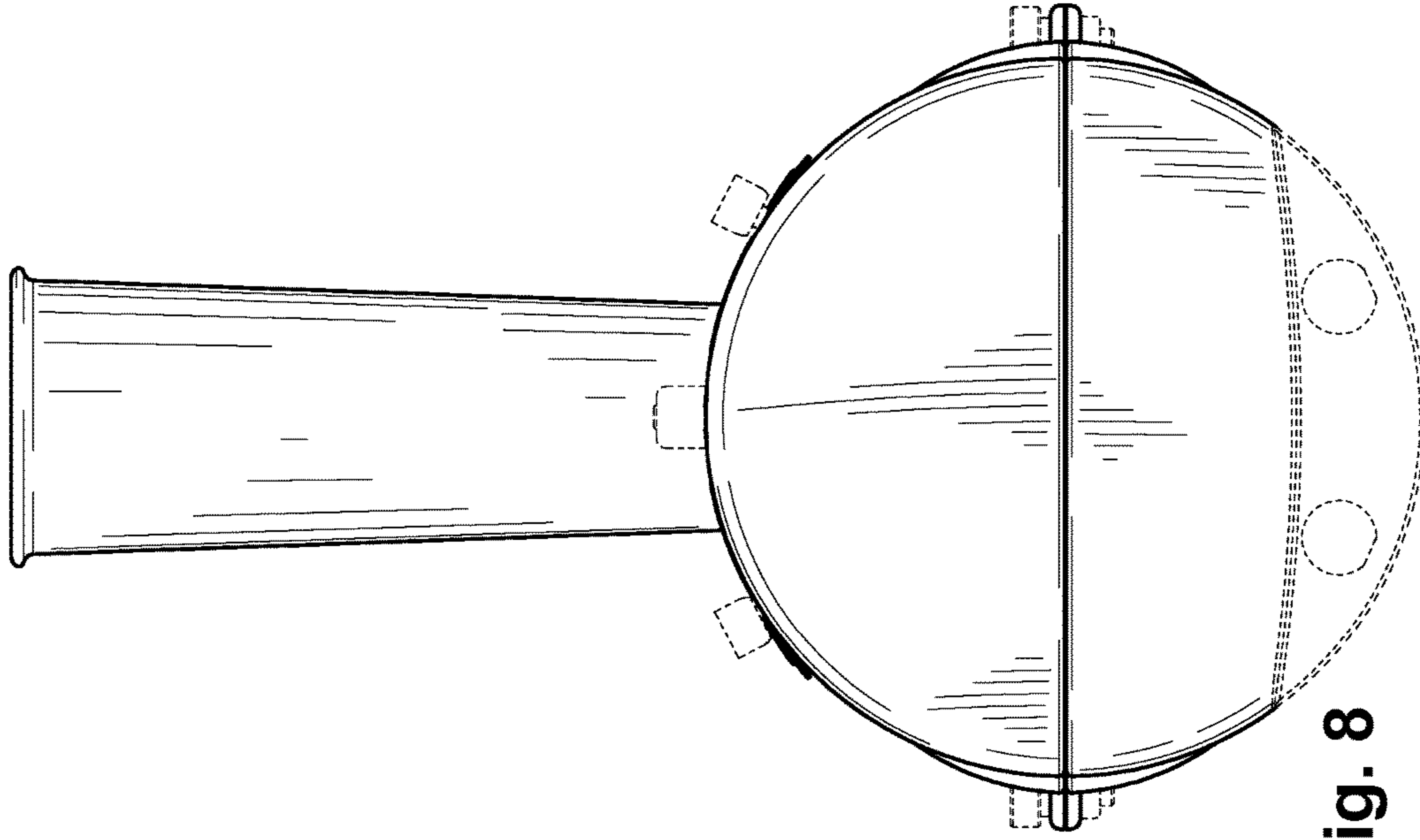


Fig. 8

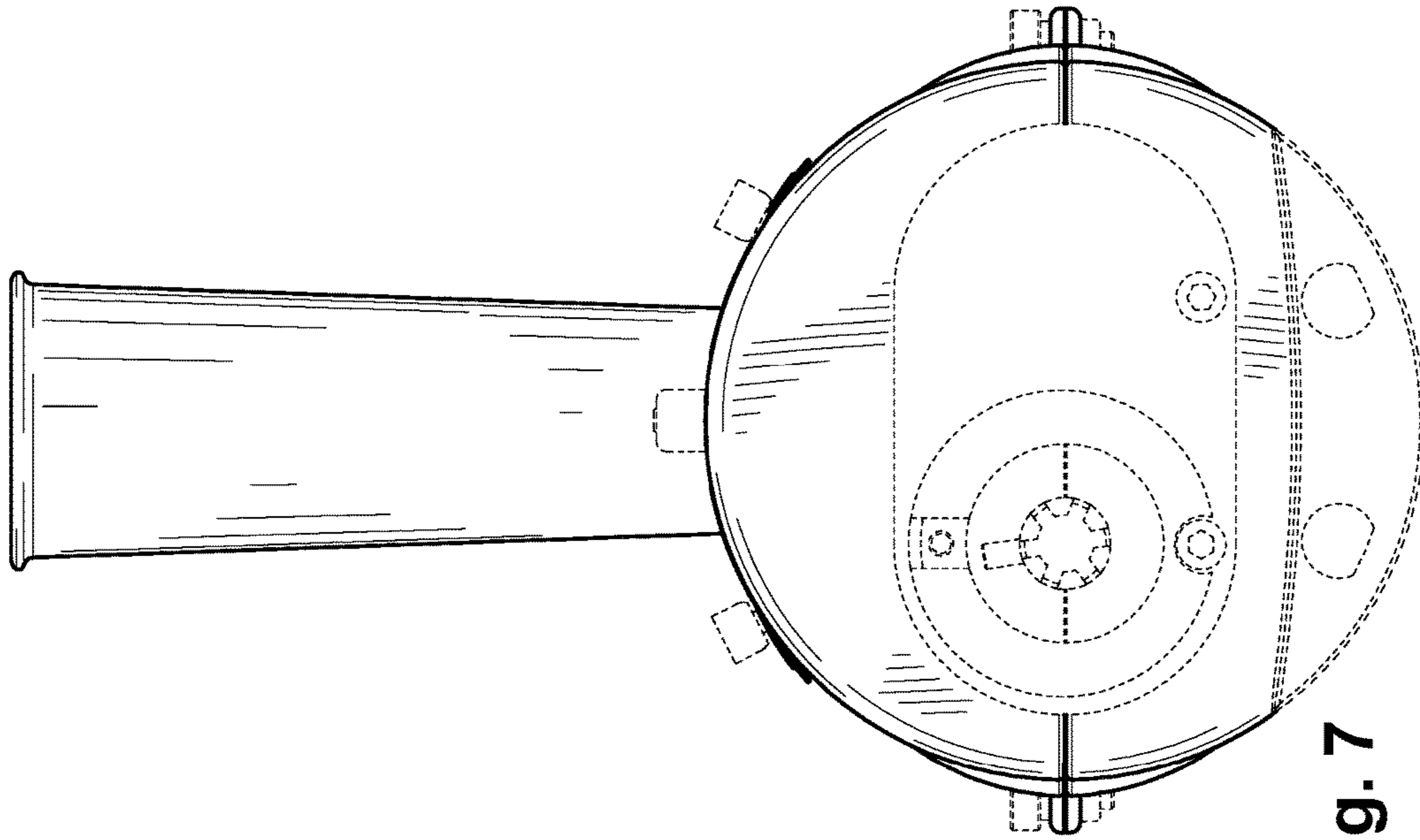


Fig. 7