



US00D799259S

(12) **United States Design Patent** (10) **Patent No.:** **US D799,259 S**
Lira-Nunez et al. (45) **Date of Patent:** **** Oct. 10, 2017**

(54) **GRILL WITH CABINET**

(56) **References Cited**

(71) Applicants: **Carmen O. Lira-Nunez**, Downers Grove, IL (US); **Mark Richard Pavel**, Lisle, IL (US); **Hudson Kirk Rio**, Chicago, IL (US); **Romualdo Sonny Siazon**, Woodstock, IL (US); **Rajesh K. Sharma**, Round Lake, IL (US); **Patrick J. McVey**, Palatine, IL (US)

U.S. PATENT DOCUMENTS

D461,359 S 8/2002 Coleman
D465,693 S * 11/2002 Coleman D7/334
D470,357 S 2/2003 Home
D471,057 S 3/2003 Chung
D483,983 S 12/2003 Harrod

(Continued)

(72) Inventors: **Carmen O. Lira-Nunez**, Downers Grove, IL (US); **Mark Richard Pavel**, Lisle, IL (US); **Hudson Kirk Rio**, Chicago, IL (US); **Romualdo Sonny Siazon**, Woodstock, IL (US); **Rajesh K. Sharma**, Round Lake, IL (US); **Patrick J. McVey**, Palatine, IL (US)

OTHER PUBLICATIONS

Photographs of grill manufactured in 2005 by Chinese entity Perfect Glo.

(Continued)

(73) Assignee: **Weber-Stephen Products LLC**, Palatine, IL (US)

Primary Examiner — Manpreet S Matharu
Assistant Examiner — Suzanne E Tisdell

(74) *Attorney, Agent, or Firm* — Vitale Vickrey Niro & Gasey

(**) Term: **15 Years**

(57) **CLAIM**

The ornamental design for a grill with cabinet, as shown and described in the following Figures.

(21) Appl. No.: **29/552,650**

DESCRIPTION

(22) Filed: **Jan. 25, 2016**

(51) **LOC (10) Cl.** **07-02**

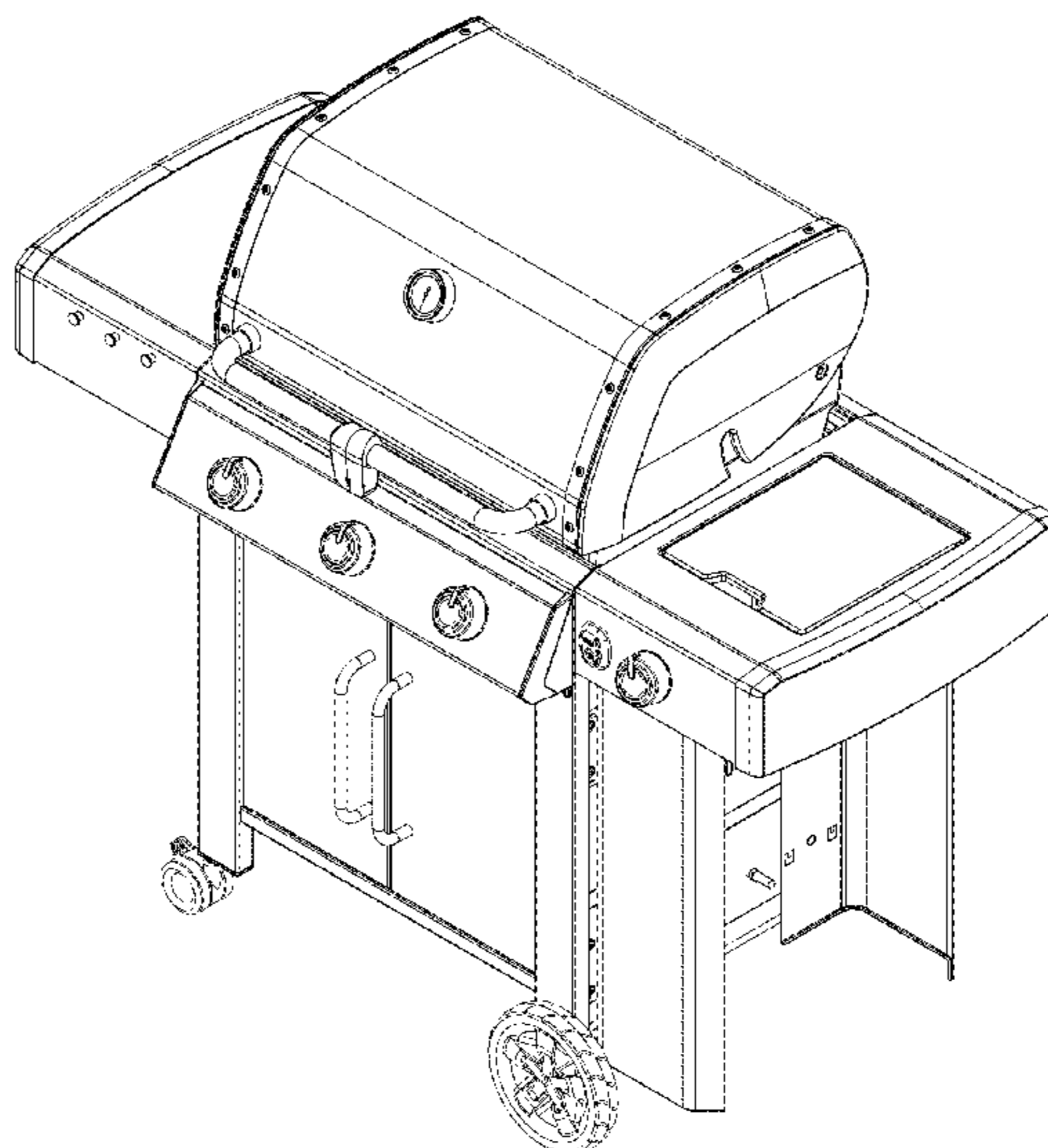
(52) **U.S. Cl.**
USPC **D7/334**

(58) **Field of Classification Search**
USPC D7/213, 323, 324, 325, 326, 327, 328,
D7/329, 330, 331, 332, 333, 334, 335,
D7/336, 337, 402, 404, 405, 406, 407
CPC A47J 33/00; A47J 37/04; A47J 37/041;
A47J 37/07–37/0713; A47J
37/0718–37/0727; A47J 37/0731–37/074;
A47J 37/0745–37/0772; A47J 2037/0777;
A47J 37/0781

FIG. 1 is a perspective view of a grill of the present invention;
FIG. 2 is a front view of the grill of the present invention.
FIG. 3 is a left side view of the grill of the present invention.
FIG. 4 is a right side view of the grill of the present invention.
FIG. 5 is a top view of the grill of the present invention.
FIG. 6 is a back view of the grill of the present invention;
and,
FIG. 7 is a bottom view of the grill of the present invention.
The broken lines shown in the Figures depict environment and form no part of the claimed design.

See application file for complete search history.

1 Claim, 6 Drawing Sheets



(56)

References Cited

U.S. PATENT DOCUMENTS

D521,308 S 5/2006 Tseng
 D525,072 S * 7/2006 Wilgus D7/334
 D551,499 S 9/2007 Bruno
 D560,953 S 2/2008 Bruno
 D564,834 S 3/2008 Bruno
 D579,709 S * 11/2008 Proffitt D7/334
 D609,045 S 2/2010 Bruno
 D658,926 S * 5/2012 Chung D7/334
 D660,074 S * 5/2012 Chung D7/334
 D661,538 S * 6/2012 Chung D7/334
 D679,937 S * 4/2013 Chung D7/334
 D681,389 S * 5/2013 Goecke D7/334
 D687,667 S * 8/2013 Chien D7/334
 D687,669 S * 8/2013 Chung D7/334
 D688,082 S * 8/2013 Crick D7/334
 D697,357 S * 1/2014 Goecke D7/334
 D712,191 S * 9/2014 Chung D7/334
 D717,097 S * 11/2014 Lin D7/334
 D722,809 S * 2/2015 Chung D7/334
 D722,810 S * 2/2015 Chung D7/334
 D723,321 S * 3/2015 Chung D7/334
 D723,860 S * 3/2015 Chung D7/334
 D726,491 S * 4/2015 Witzel D7/334
 D731,843 S * 6/2015 Chung D7/334
 D732,874 S * 6/2015 Chung D7/334
 D736,026 S * 8/2015 Kam D7/334
 D737,092 S * 8/2015 Lin D7/334
 D744,775 S * 12/2015 Yang D7/334
 D747,909 S * 1/2016 Simms, II D7/332

D748,423 S * 2/2016 Chiang D7/334
 D753,430 S * 4/2016 Wagner D7/334
 D769,667 S * 10/2016 Ting D7/332
 D773,229 S * 12/2016 Jaggard D7/334
 D773,879 S * 12/2016 Magee D7/334
 D776,476 S * 1/2017 Euwer D7/334
 2008/0121118 A1 * 5/2008 Sikes A47J 37/07
 99/447
 2008/0229937 A1 * 9/2008 Stephen A47J 37/07
 99/421 R
 2010/0132689 A1 * 6/2010 Contarino, Jr. A47J 37/067
 126/25 B
 2013/0112088 A1 * 5/2013 May A47J 37/07
 99/421 H
 2014/0261378 A1 * 9/2014 Barreto A47J 37/0713
 126/25 R
 2014/0318524 A1 * 10/2014 Measom A47J 37/0704
 126/25 R
 2015/0004297 A1 * 1/2015 Pothetes A47J 37/00
 426/523
 2016/0208837 A1 * 7/2016 Chang F16B 5/02

OTHER PUBLICATIONS

Sears 2013 Simply Outdoors Catalog, pp. 62-64, Kenmore Elite 500 Series gas grill.
 Sears Owner's Manual for Kenmore Elite Liquid Propane Gas Grill Model 141.16680, dated Dec. 16, 2002.
 Blue Rhino Global Sourcing Owner's Manual for UniFlame Outdoor LP Gas Barbecue Grill Model No. NSG3902D, dated 2005.

* cited by examiner

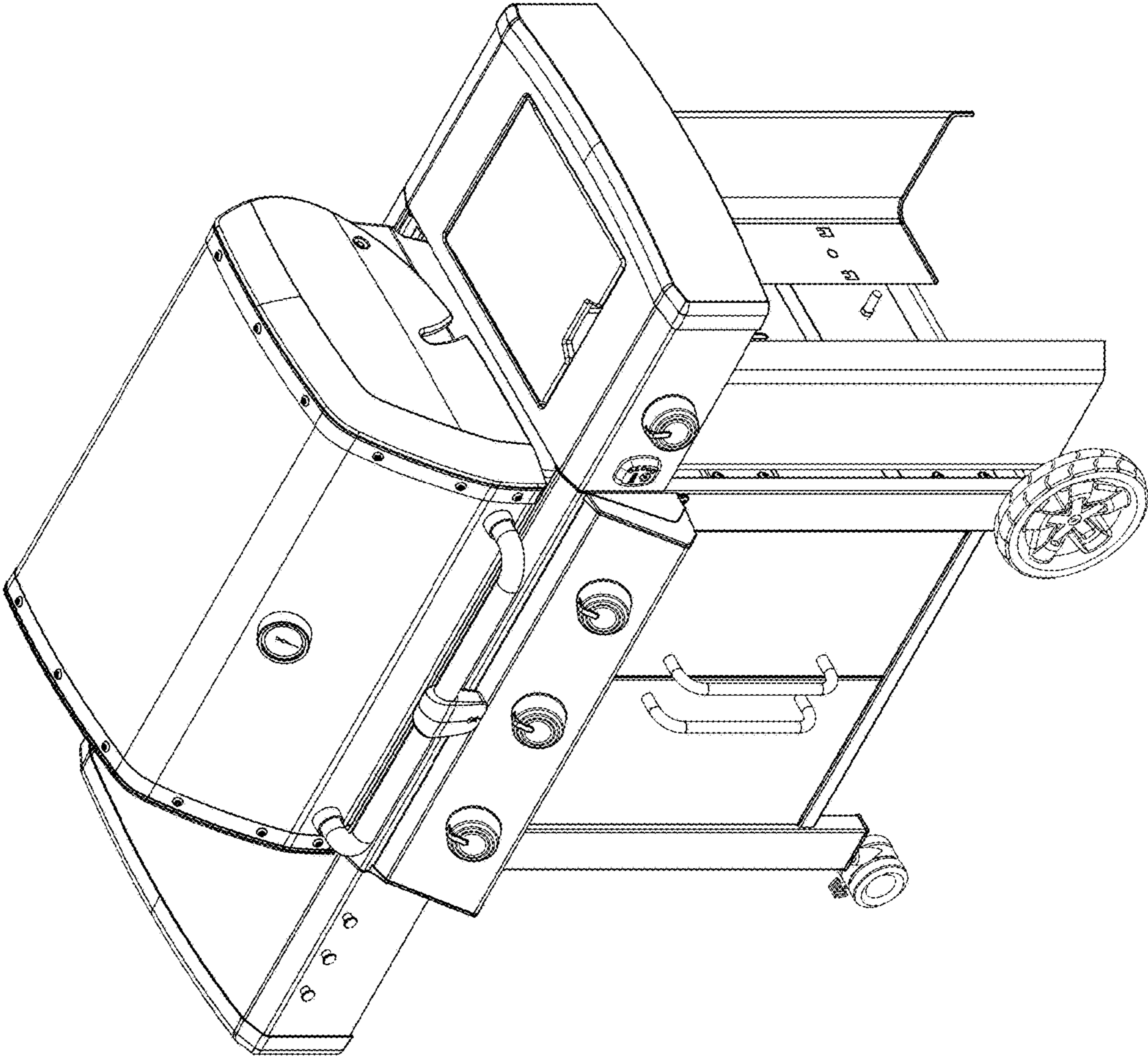


Fig. 1

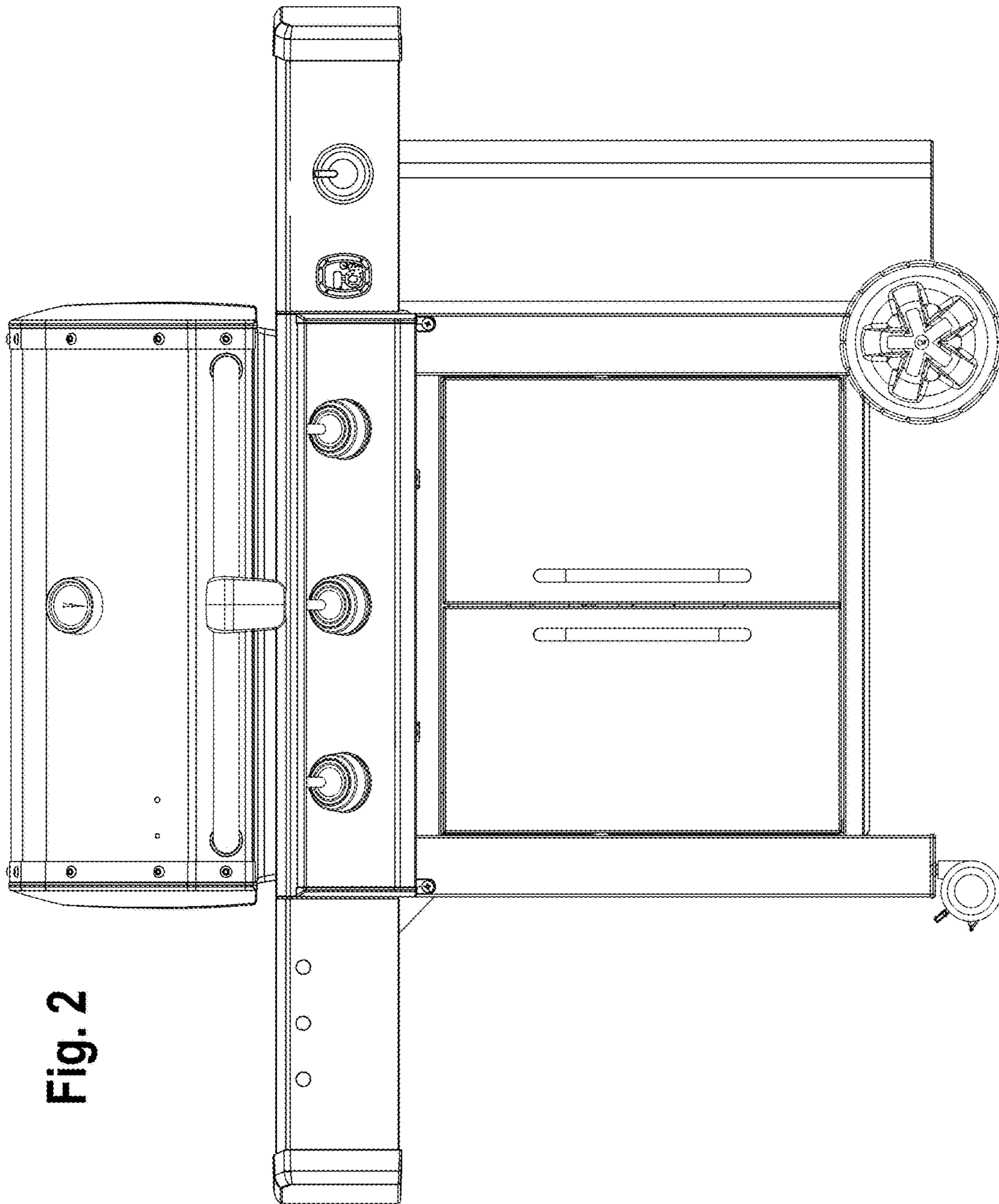


Fig. 2

Fig. 4

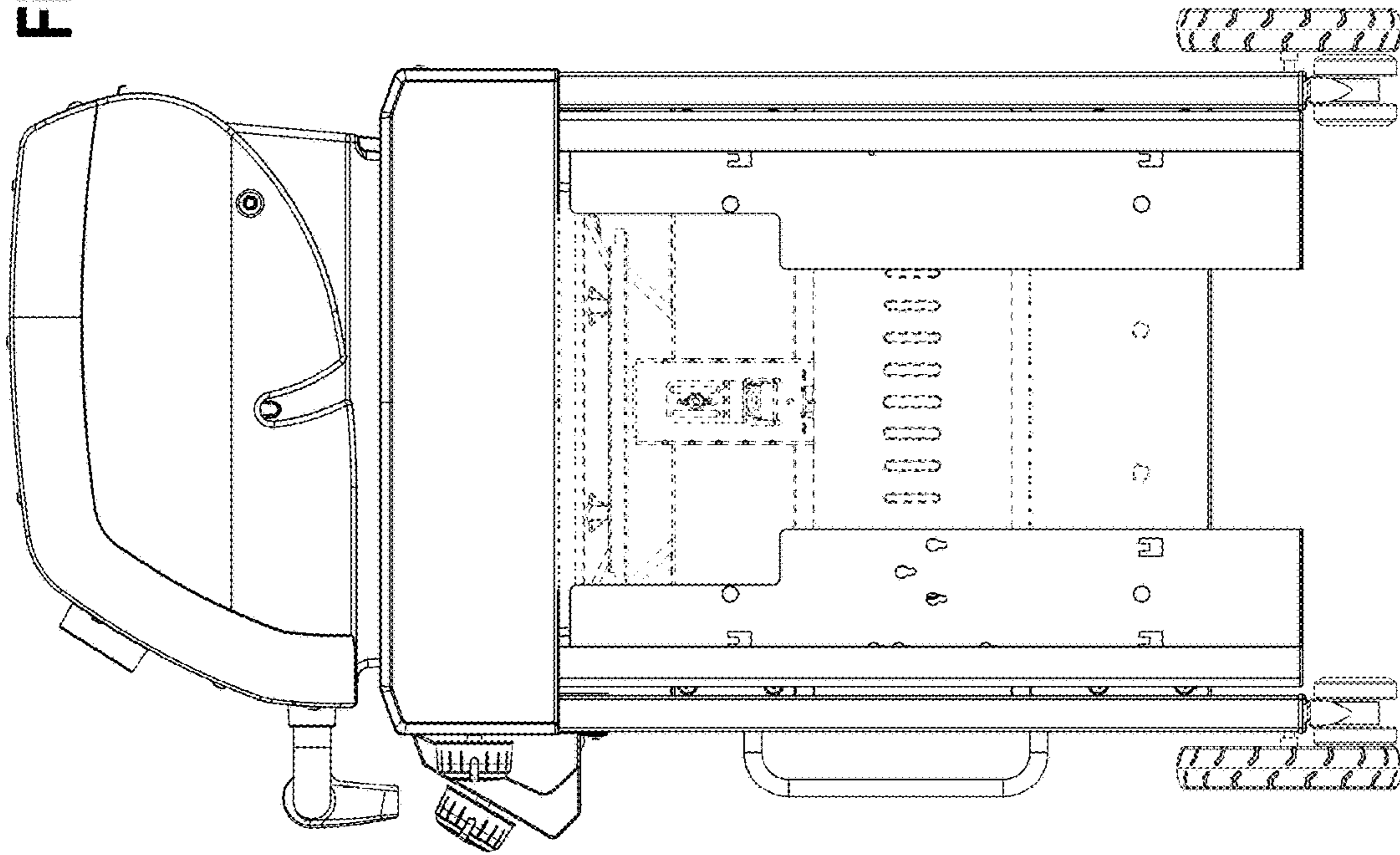


Fig. 3

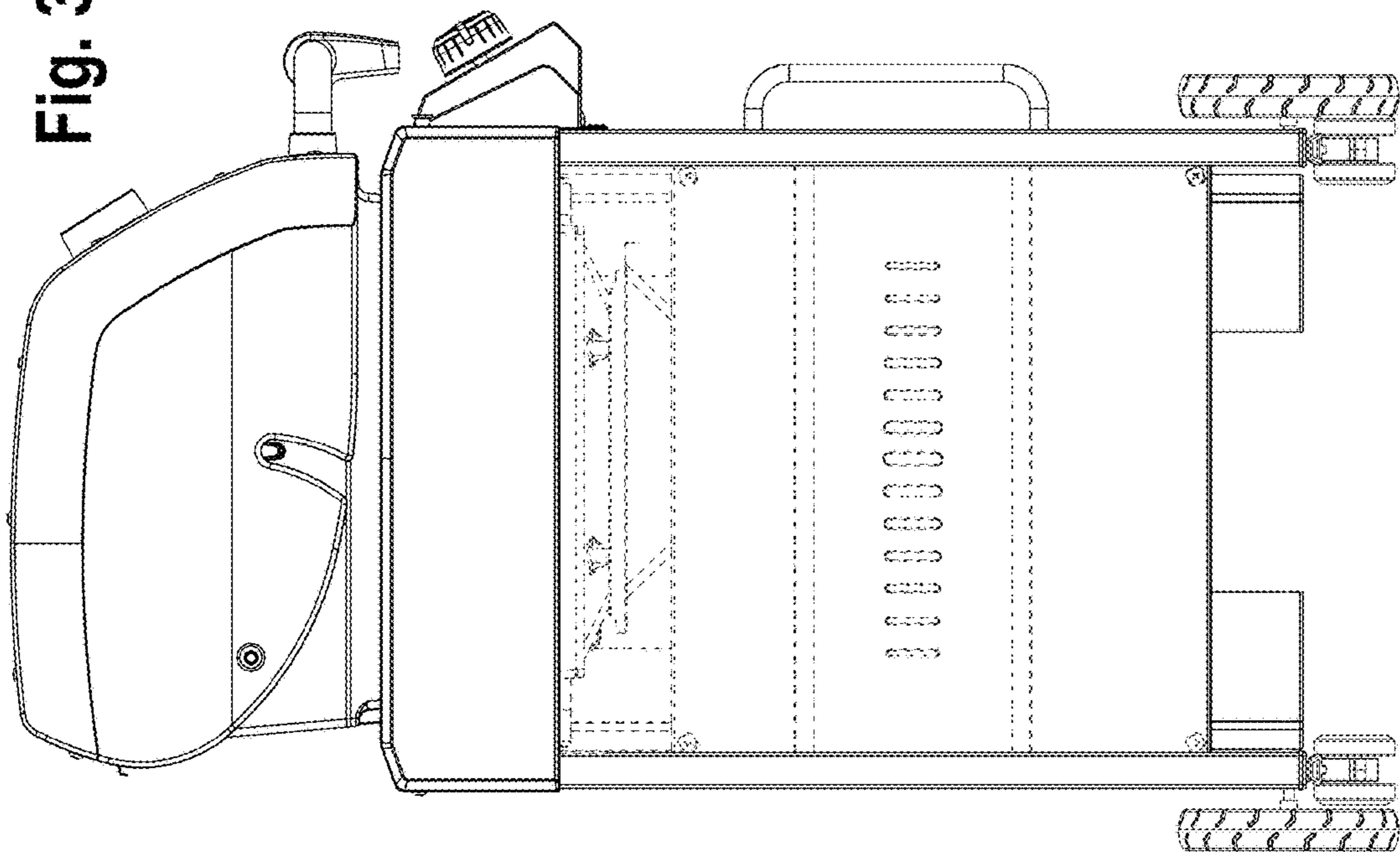
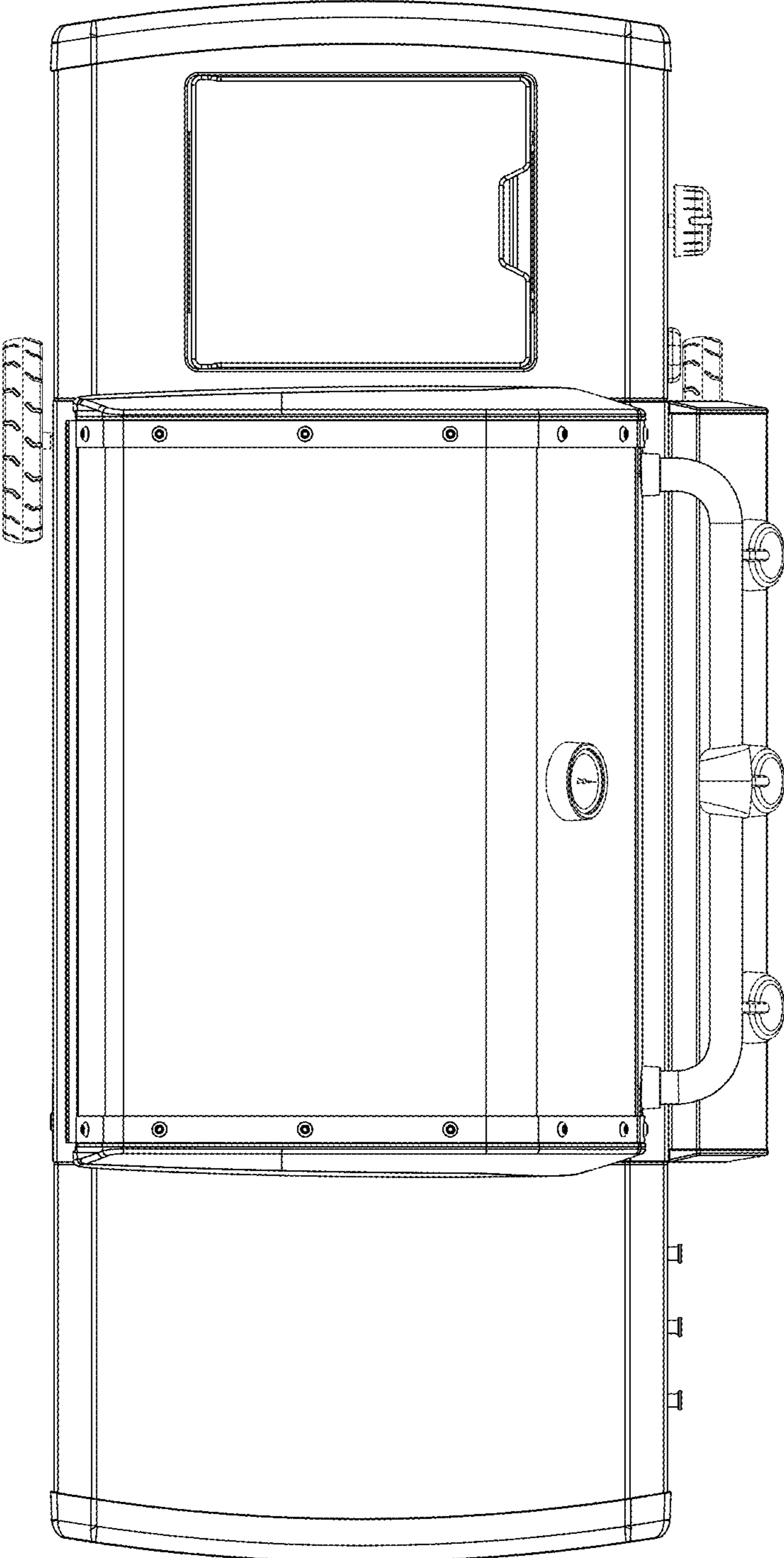


Fig. 5



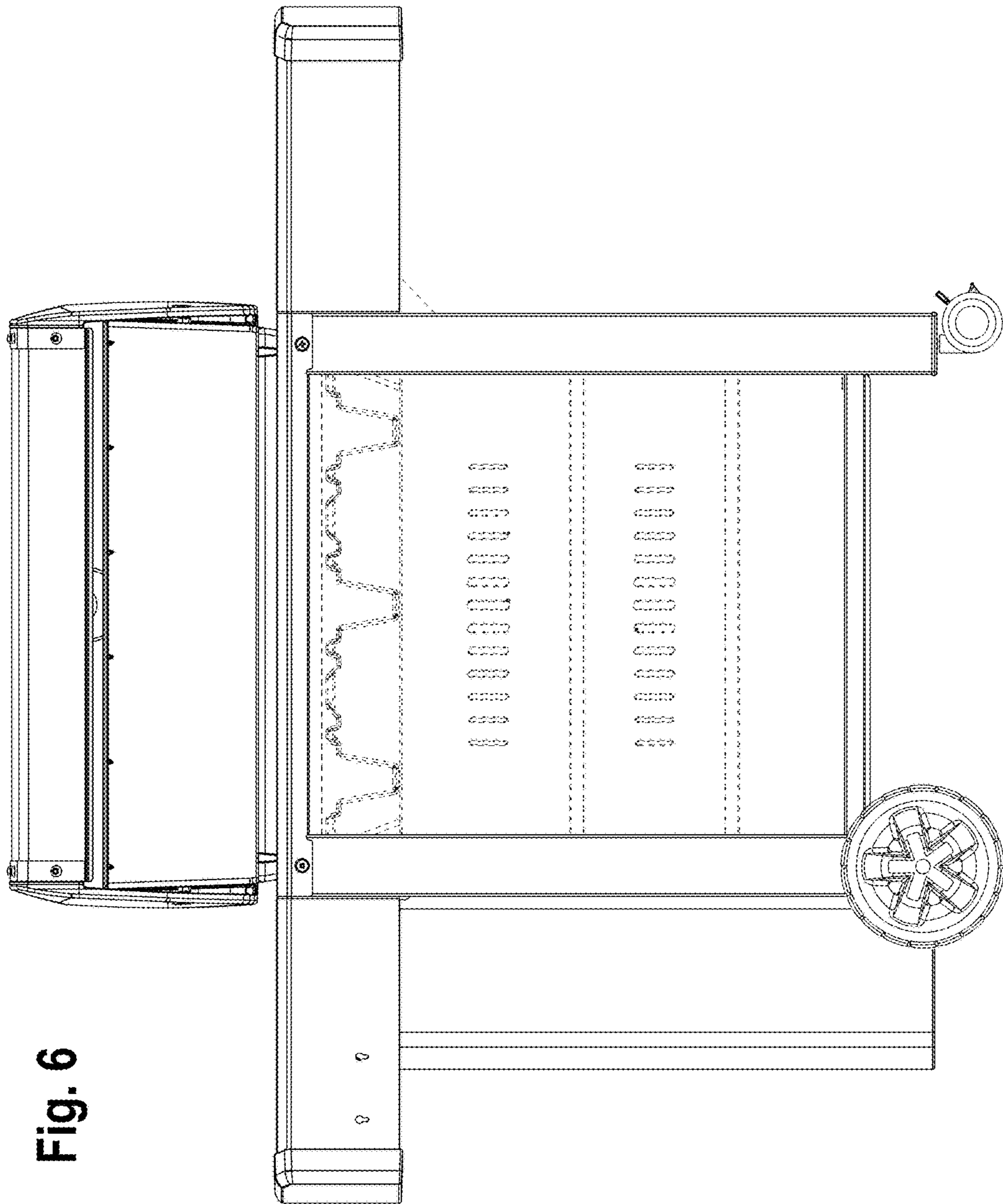


Fig. 6

Fig. 7

