



US00D799257S

(12) **United States Design Patent** (10) **Patent No.:** **US D799,257 S**
Melzer (45) **Date of Patent:** **** Oct. 10, 2017**

(54) **COLD BREW COFFEE MAKER**

(71) Applicant: **Epoca International, Inc.**, Boca Raton, FL (US)

(72) Inventor: **Brian Melzer**, Boca Raton, FL (US)

(73) Assignee: **Epoca International, Inc.**, Boca Raton, FL (US)

(**) Term: **15 Years**

(21) Appl. No.: **29/545,115**

(22) Filed: **Nov. 10, 2015**

(51) **LOC (10) Cl.** **07-01**

(52) **U.S. Cl.**
USPC **D7/317; D7/318**

(58) **Field of Classification Search**
USPC D7/316-322, 598, 600, 536, 507;
222/188, 465.1, 713; D23/209; 99/285,
99/304, 292
CPC A47J 41/0027; A47J 31/50; A47J 45/0077;
A47J 31/053; A47J 31/20; A47J 31/02;
A47J 45/10; A47J 31/14; A47J 411/02;
A47J 31/38; A47J 31/306; A47G 19/22;
A47G 19/12

See application file for complete search history.

(56) **References Cited**

U.S. PATENT DOCUMENTS

D220,773 S *	5/1971	Dilyard	D7/317
4,750,644 A *	6/1988	Kolody	A47G 19/12 222/144.5
D344,428 S *	2/1994	Ancona	D7/316
D383,638 S *	9/1997	Joergensen	D7/317
D383,639 S *	9/1997	Jorgensen	D7/318
D384,237 S *	9/1997	Hess	D7/317
D386,351 S *	11/1997	Joergensen	D7/317
D444,343 S *	7/2001	Chang	D7/319
D450,521 S *	11/2001	Joergensen	D7/317

(Continued)

Primary Examiner — Marianne Pandozzi

(74) *Attorney, Agent, or Firm* — Akerman LLP

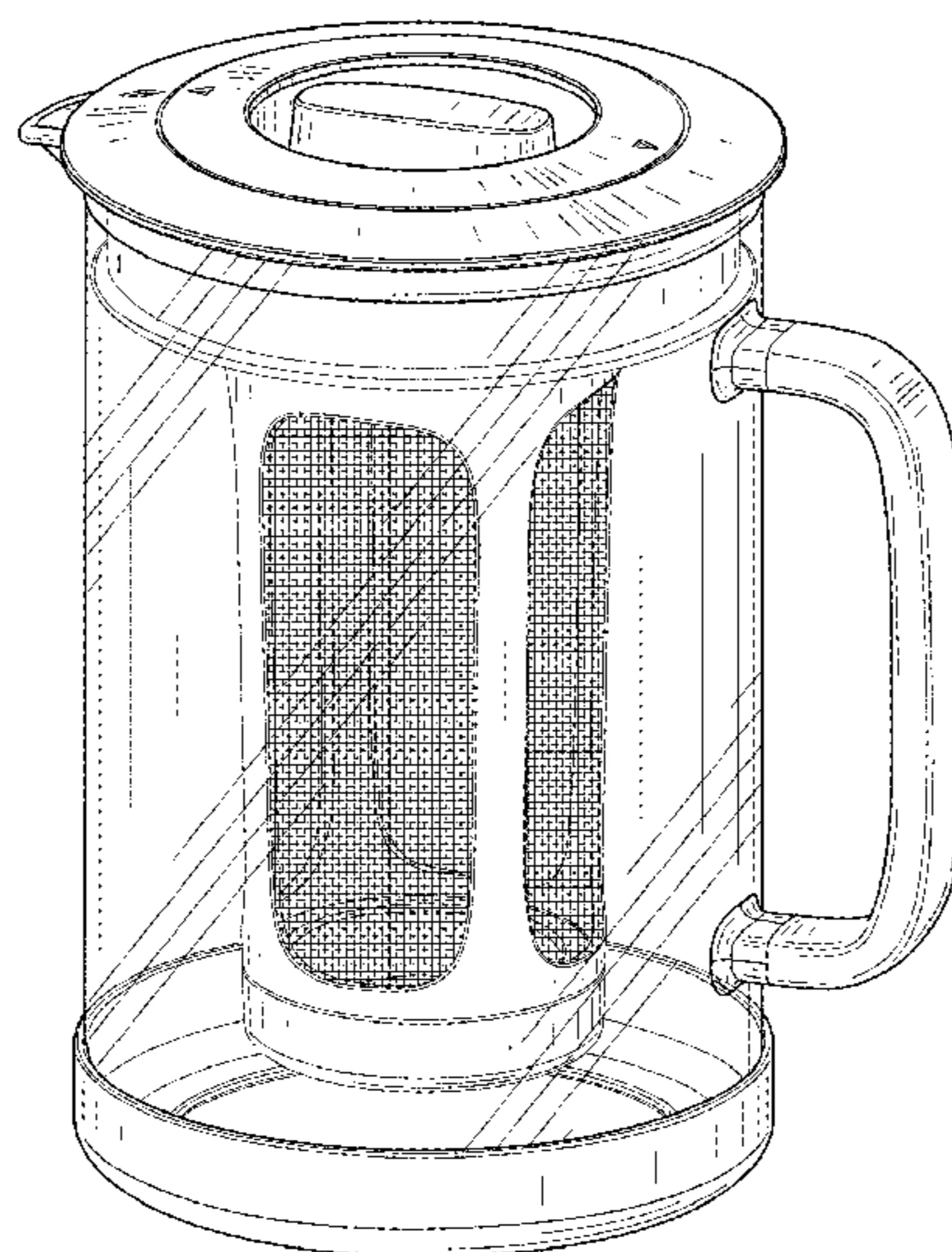
(57) **CLAIM**

I claim the ornamental design for a cold brew coffee maker, as shown and described.

DESCRIPTION

FIG. 1 is perspective view of a cold brew coffee maker showing my new design;
 FIG. 2 is a top view thereof;
 FIG. 3 is a bottom view thereof;
 FIG. 4 is a front view thereof;
 FIG. 5 is a side view thereof;
 FIG. 6 is an exploded perspective view thereof;
 FIG. 7 is a perspective view of the cold brew coffee maker with the lid, collar, and basket removed for ease of illustration showing only the pitcher portion;
 FIG. 8 is a side view thereof;
 FIG. 9 is a rear view thereof;
 FIG. 10 is a top plan view thereof;
 FIG. 11 is a perspective view of the cold brew coffee maker with the lid, collar, and pitcher removed for ease of illustration showing only the basket portion;
 FIG. 12 is a front view thereof;
 FIG. 13 is a side view thereof;
 FIG. 14 is an enlarged top plan view thereof;
 FIG. 15 is a perspective view of the cold brew coffee maker with the lid, pitcher, and basket removed for ease of illustration showing only the collar portion;
 FIG. 16 is a side view thereof;
 FIG. 17 is front view thereof;
 FIG. 18 is top view thereof;
 FIG. 19 is a perspective view of the cold brew coffee maker with the pitcher, collar, and basket removed for ease of illustration showing only the lid portion;
 FIG. 20 is a top view thereof; and,
 FIG. 21 is a side view thereof.

1 Claim, 21 Drawing Sheets



(56)

References Cited

U.S. PATENT DOCUMENTS

6,394,322	B1 *	5/2002	Sekiya	A47G 19/12 222/465.1
D476,520	S *	7/2003	Bodum	D7/317
D513,919	S *	1/2006	Bodum	D7/317
D559,030	S *	1/2008	Bodum	D7/317
D566,454	S *	4/2008	Bodum	D7/317
D585,232	S *	1/2009	Bodum	D7/317
D587,514	S *	3/2009	Bodum	D7/317
D624,348	S *	9/2010	Bodum	D7/317
D652,246	S *	1/2012	Bodum	D7/317
D718,567	S *	12/2014	Lu	D7/317
D734,087	S *	7/2015	Melzer	D7/317

* cited by examiner

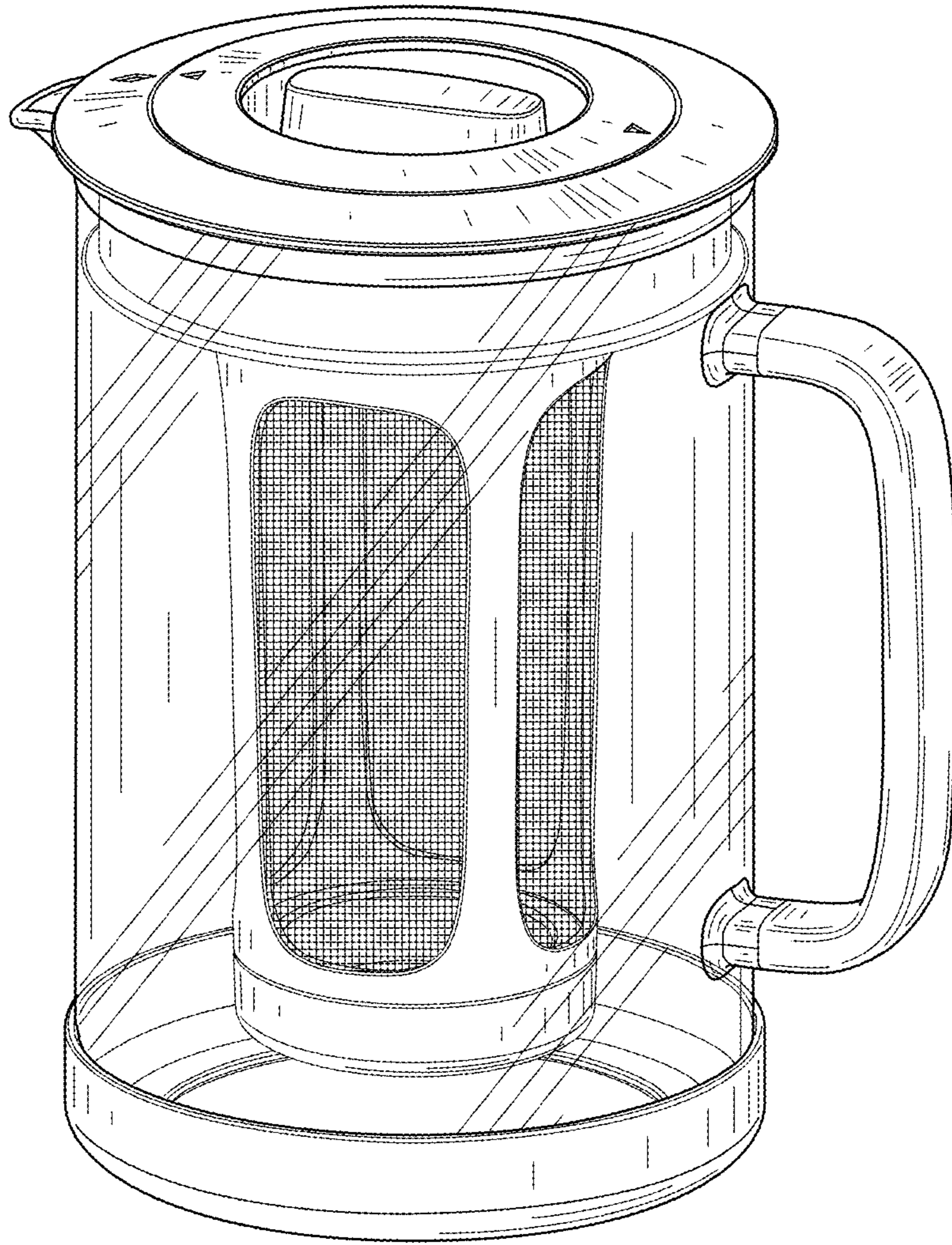


FIG. 1

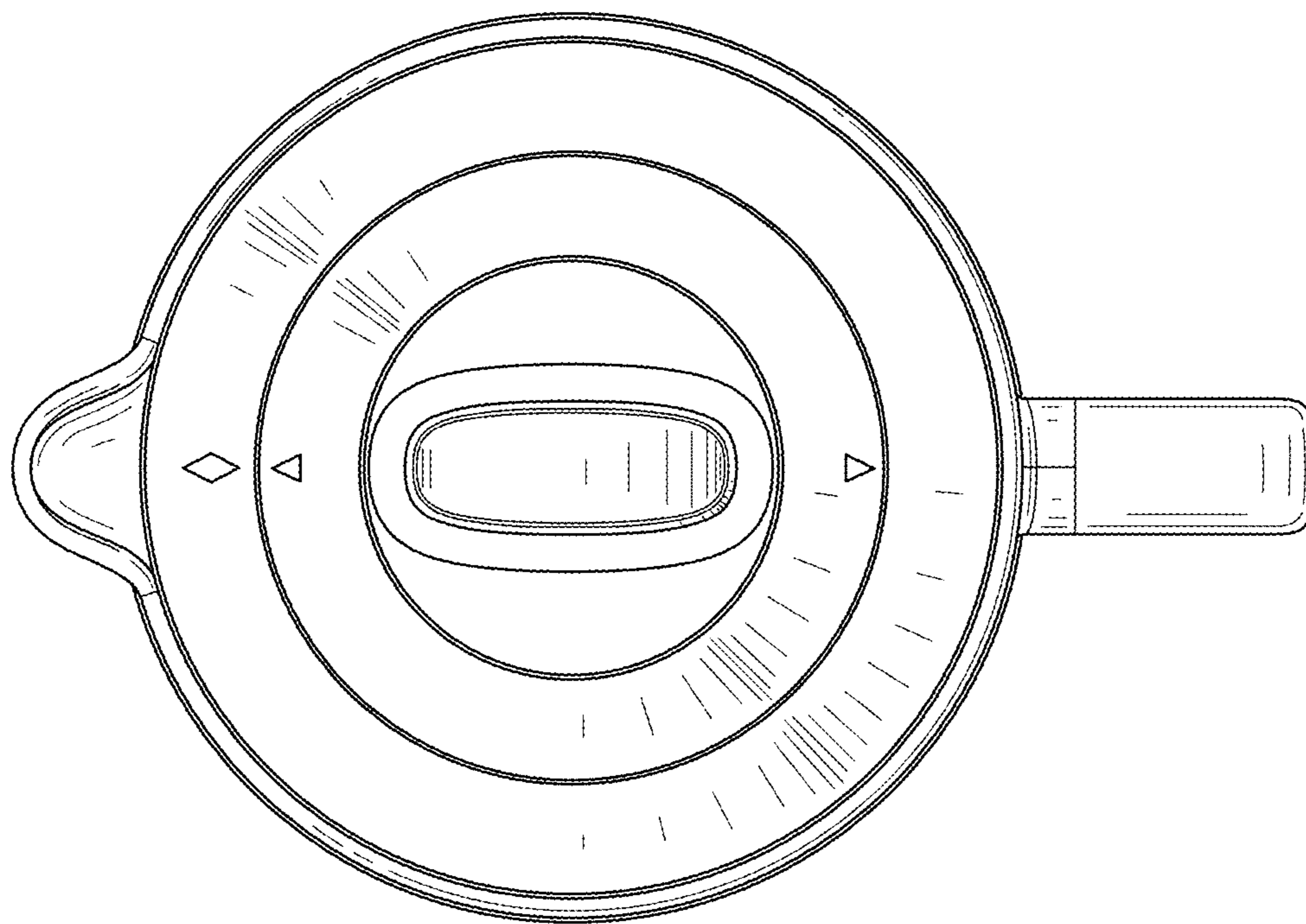


FIG. 2

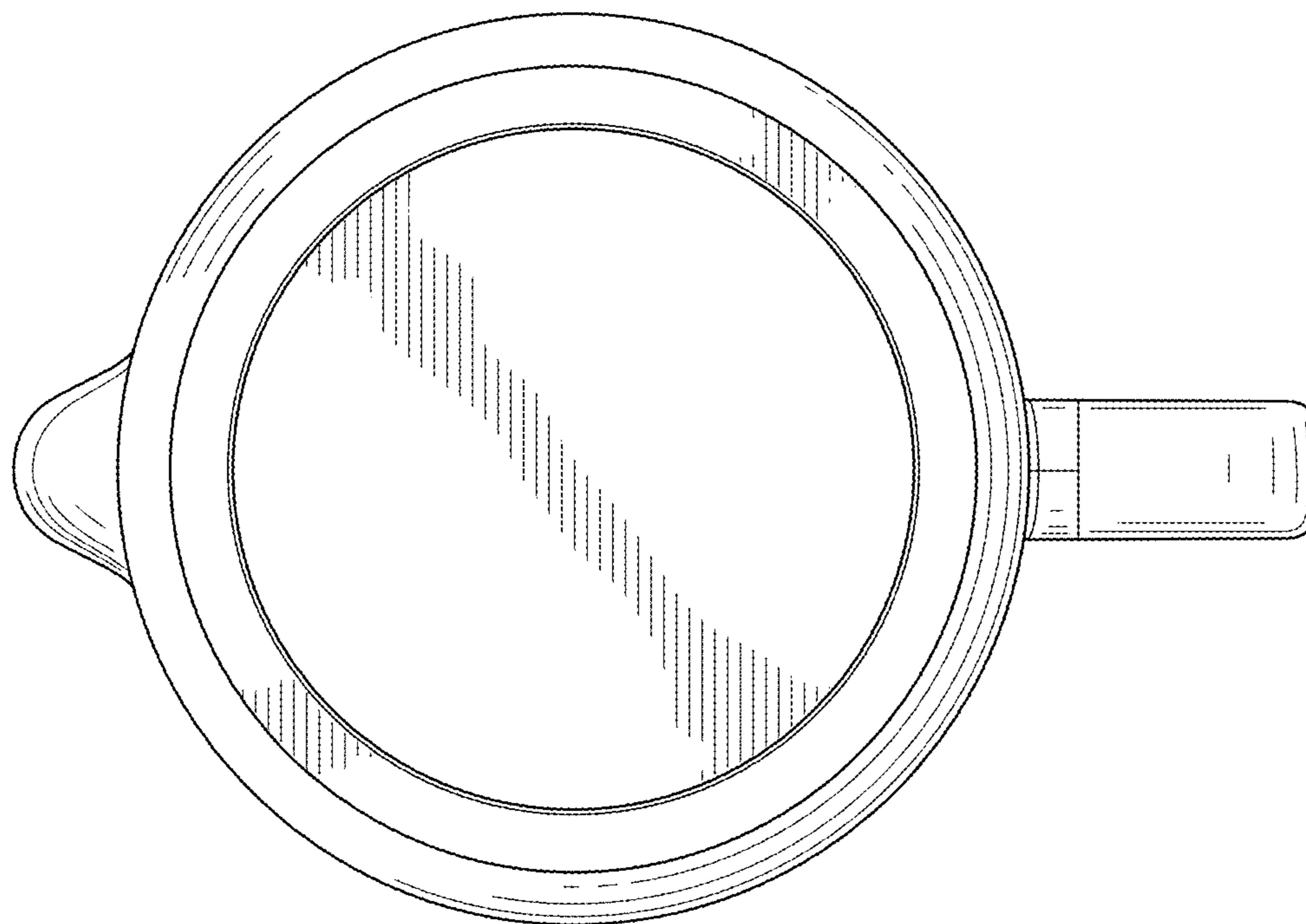


FIG. 3

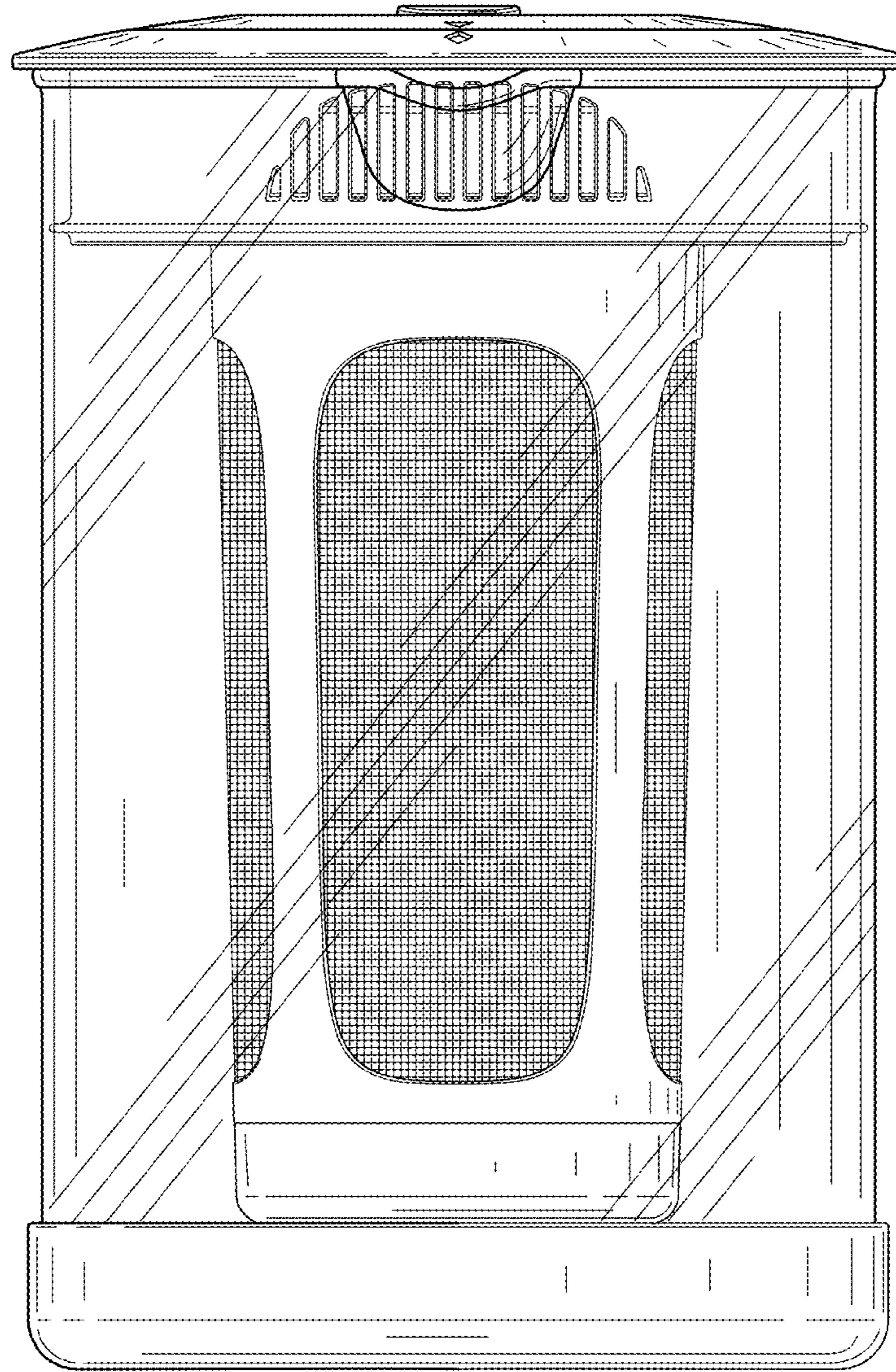


FIG. 4

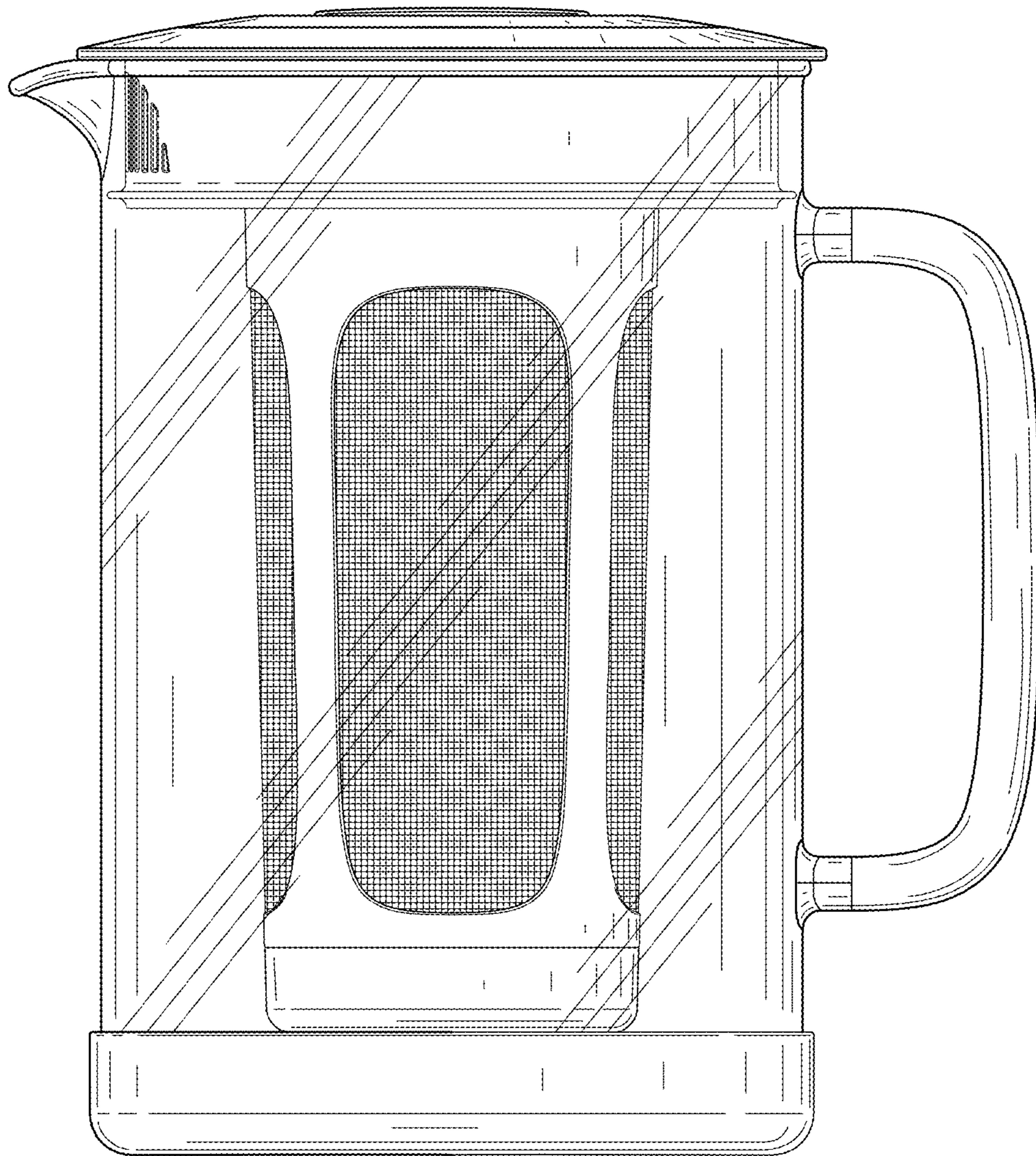


FIG. 5

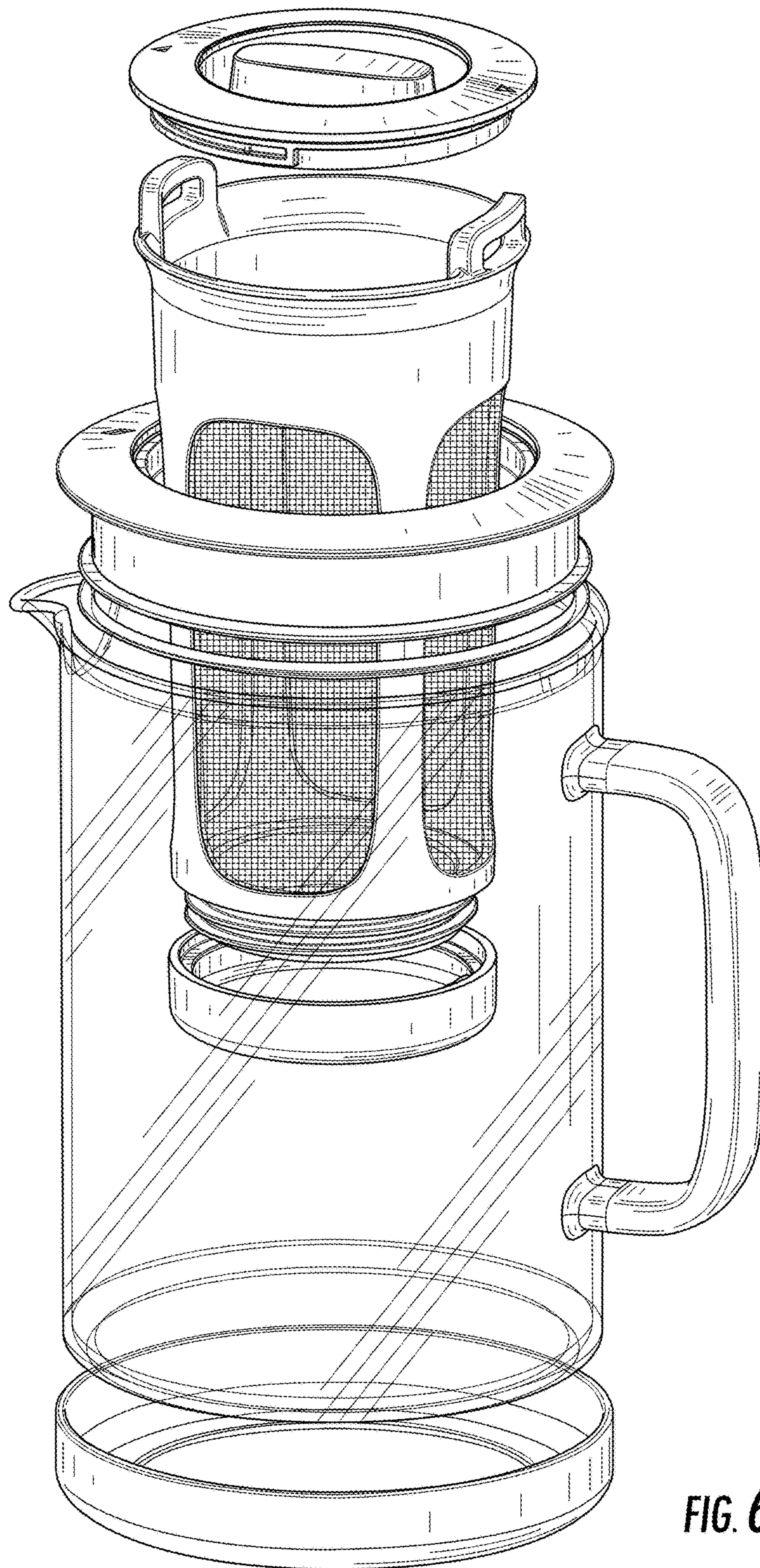


FIG. 6

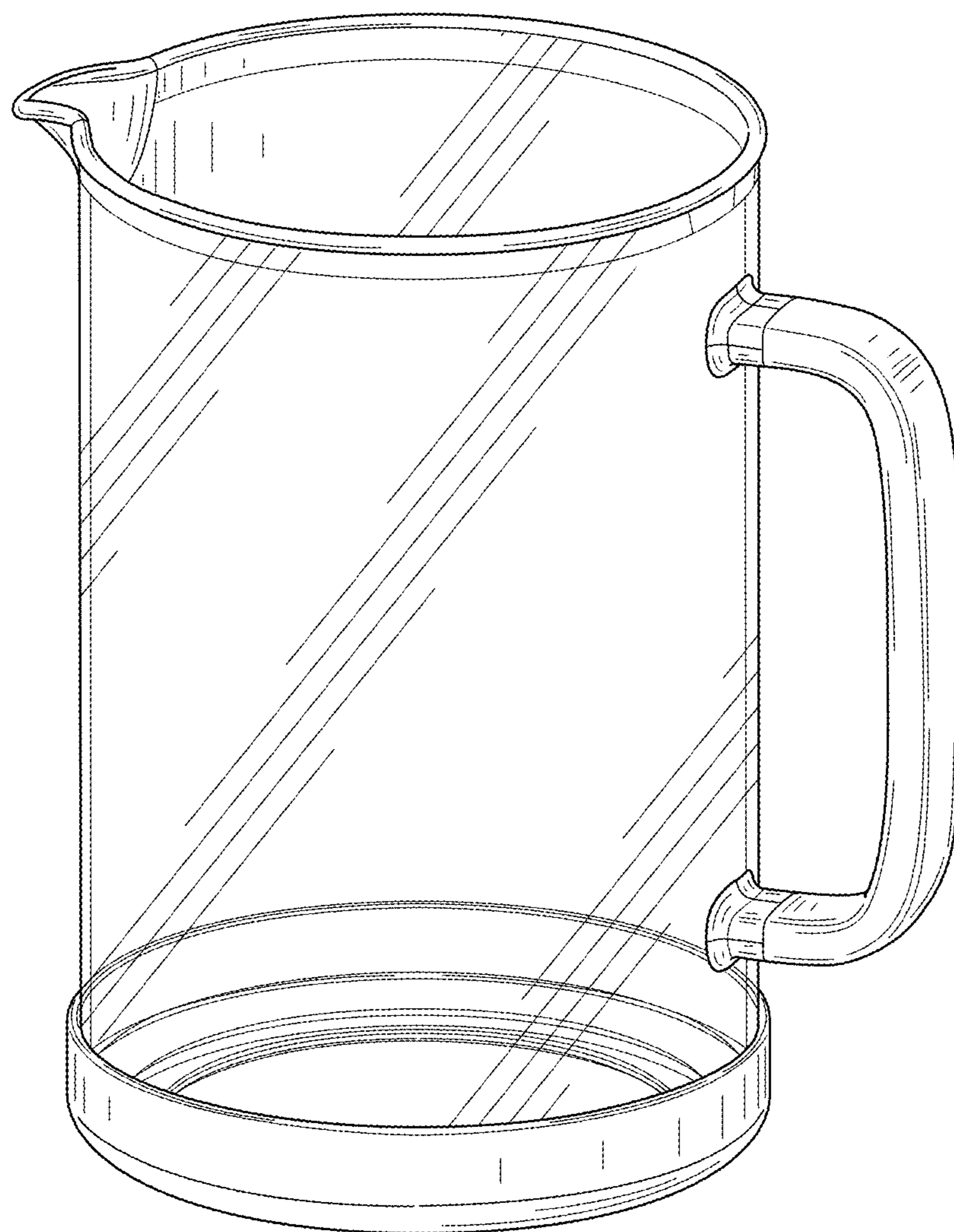


FIG. 7

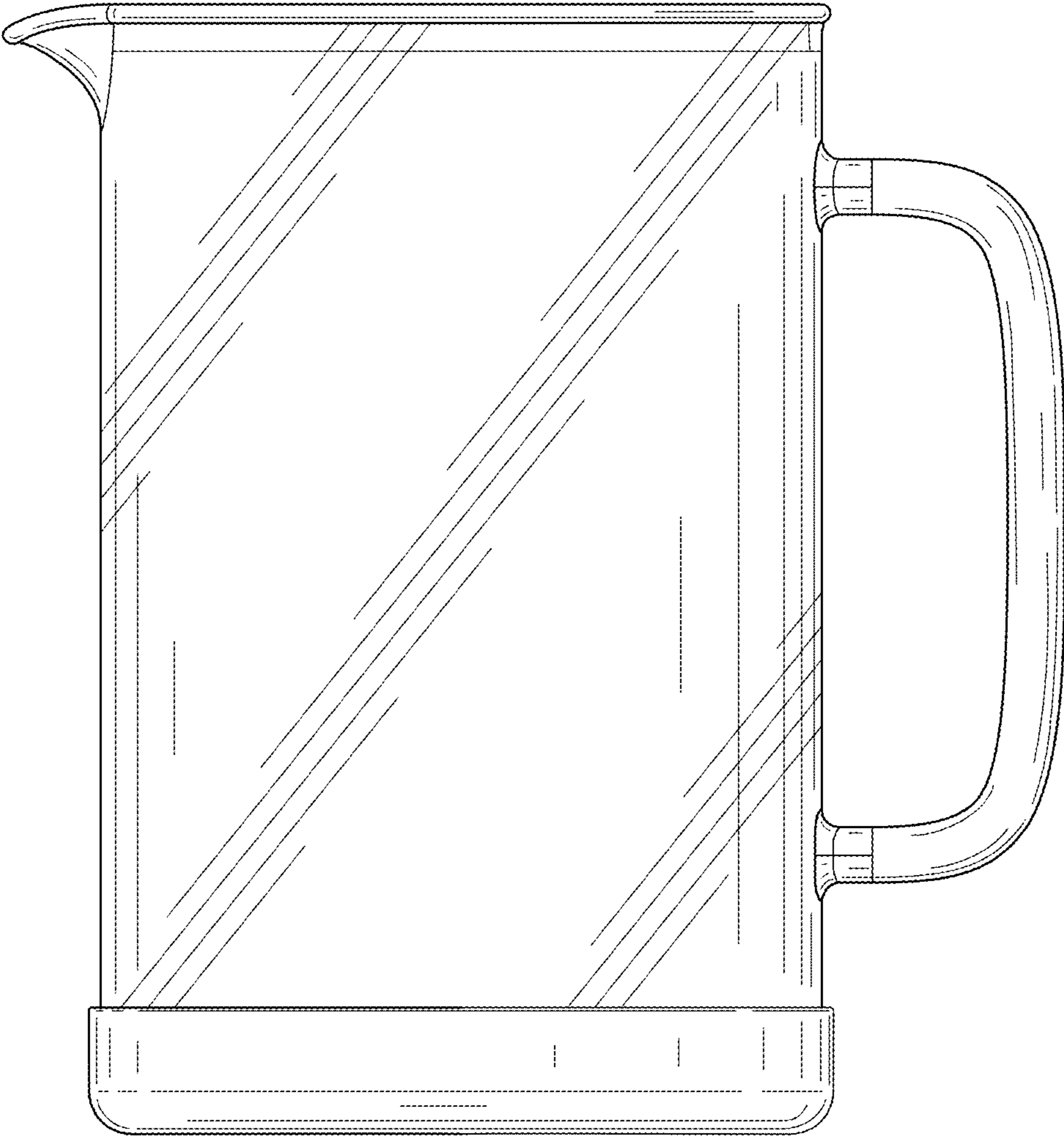


FIG. 8

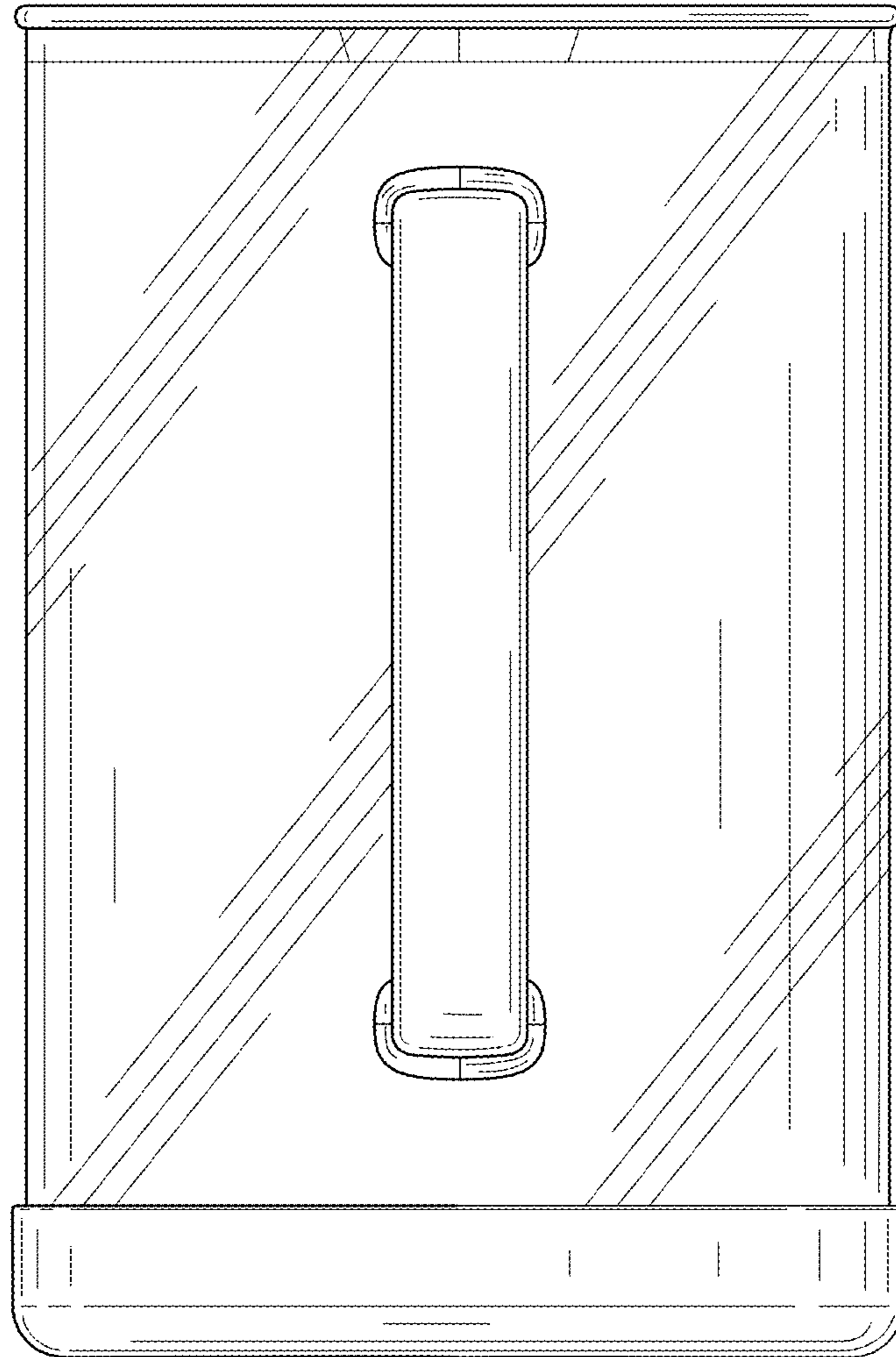


FIG. 9

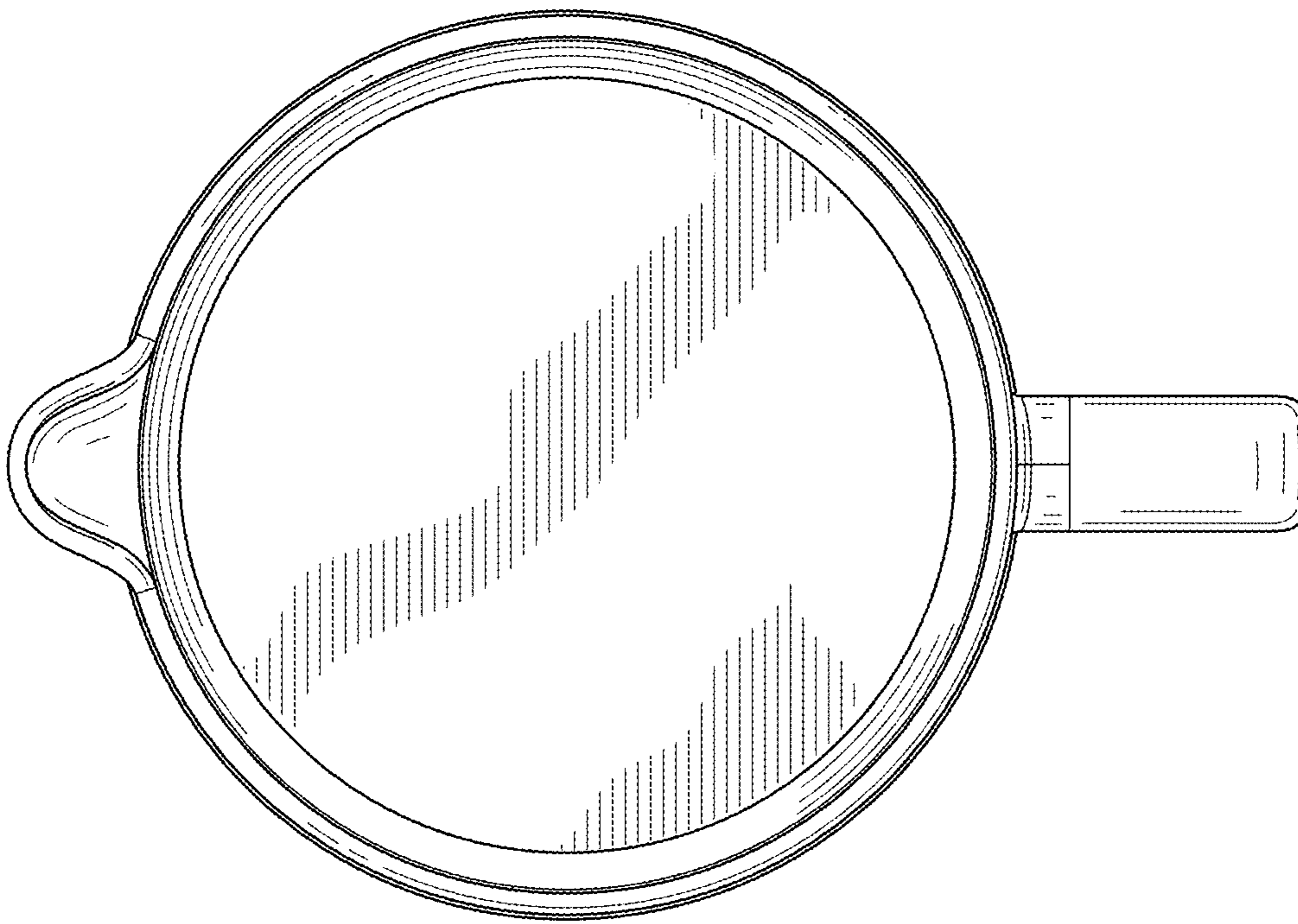


FIG. 10

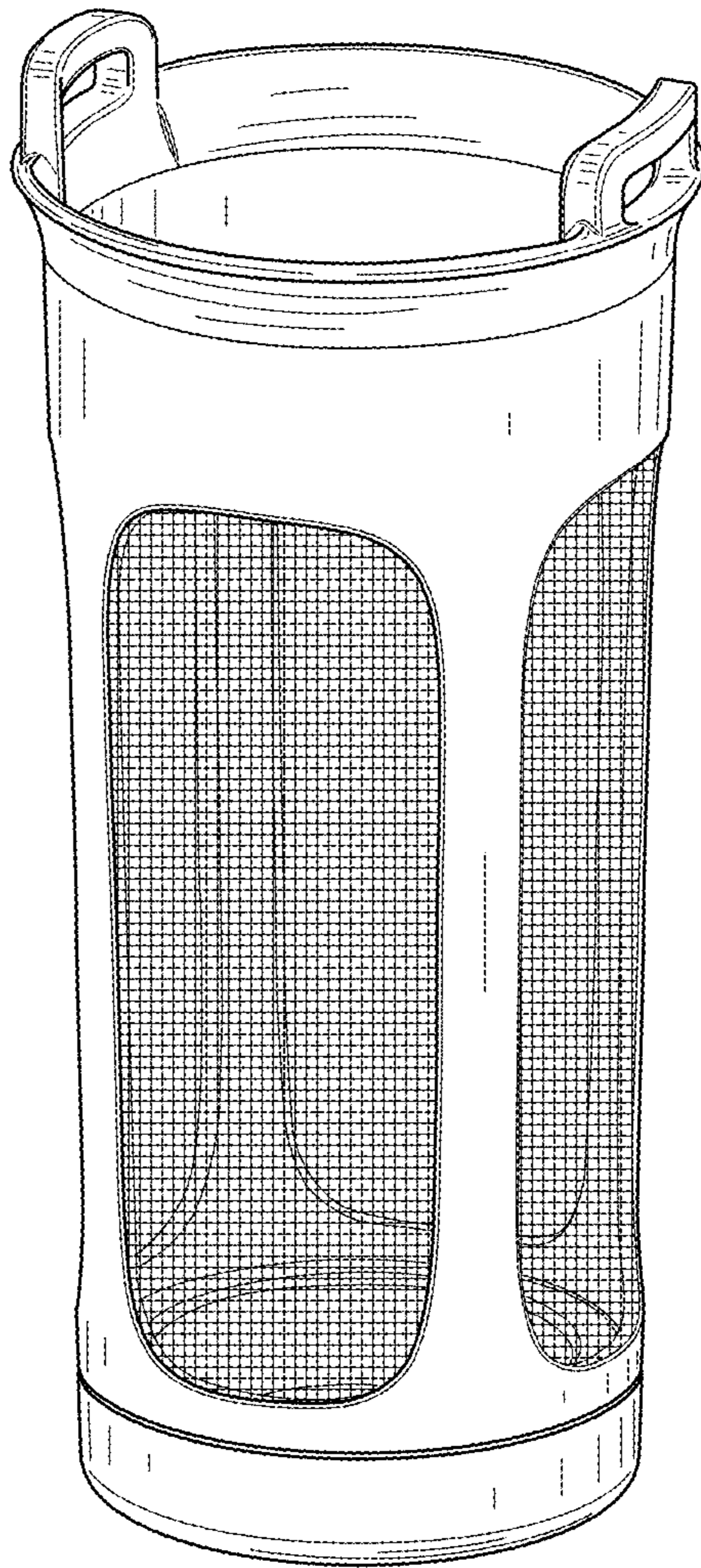


FIG. 11

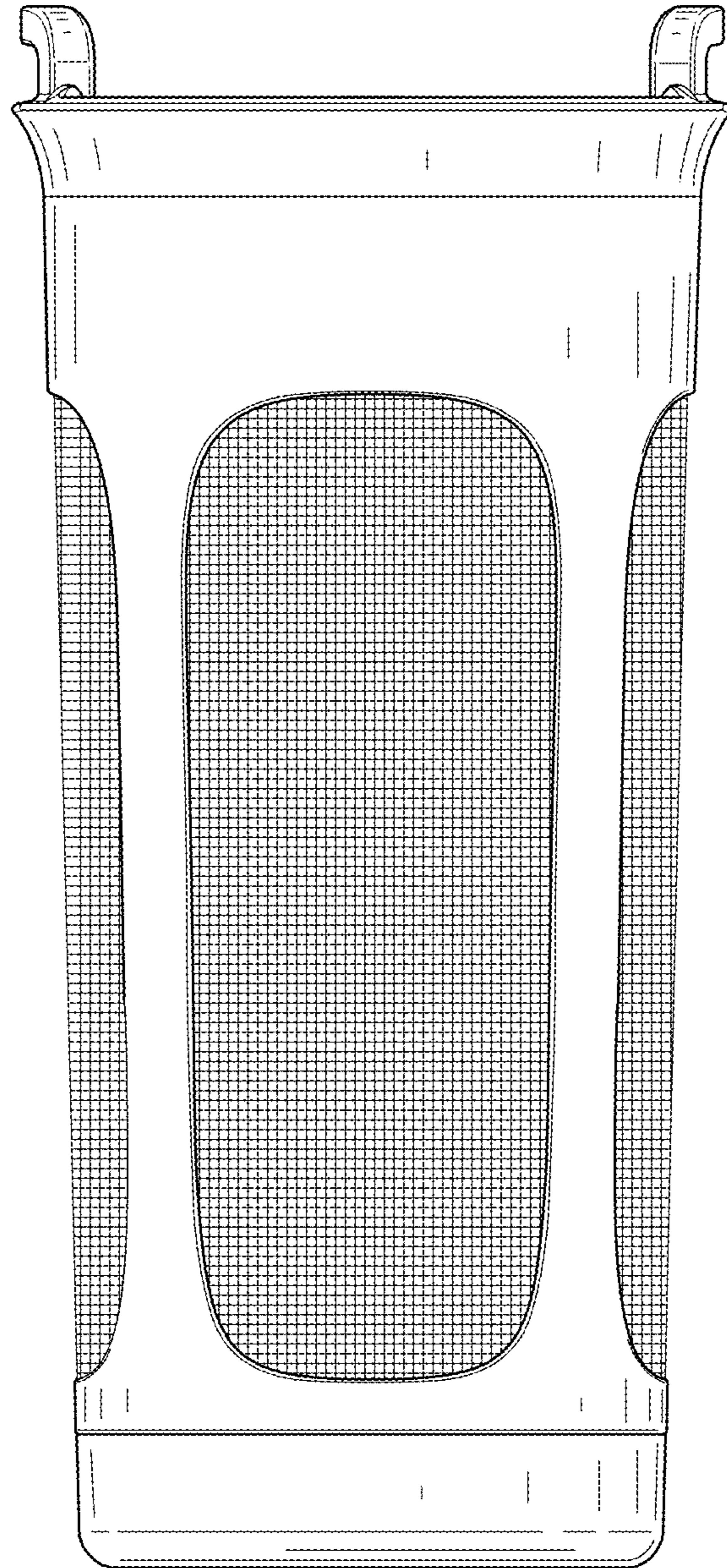


FIG. 12

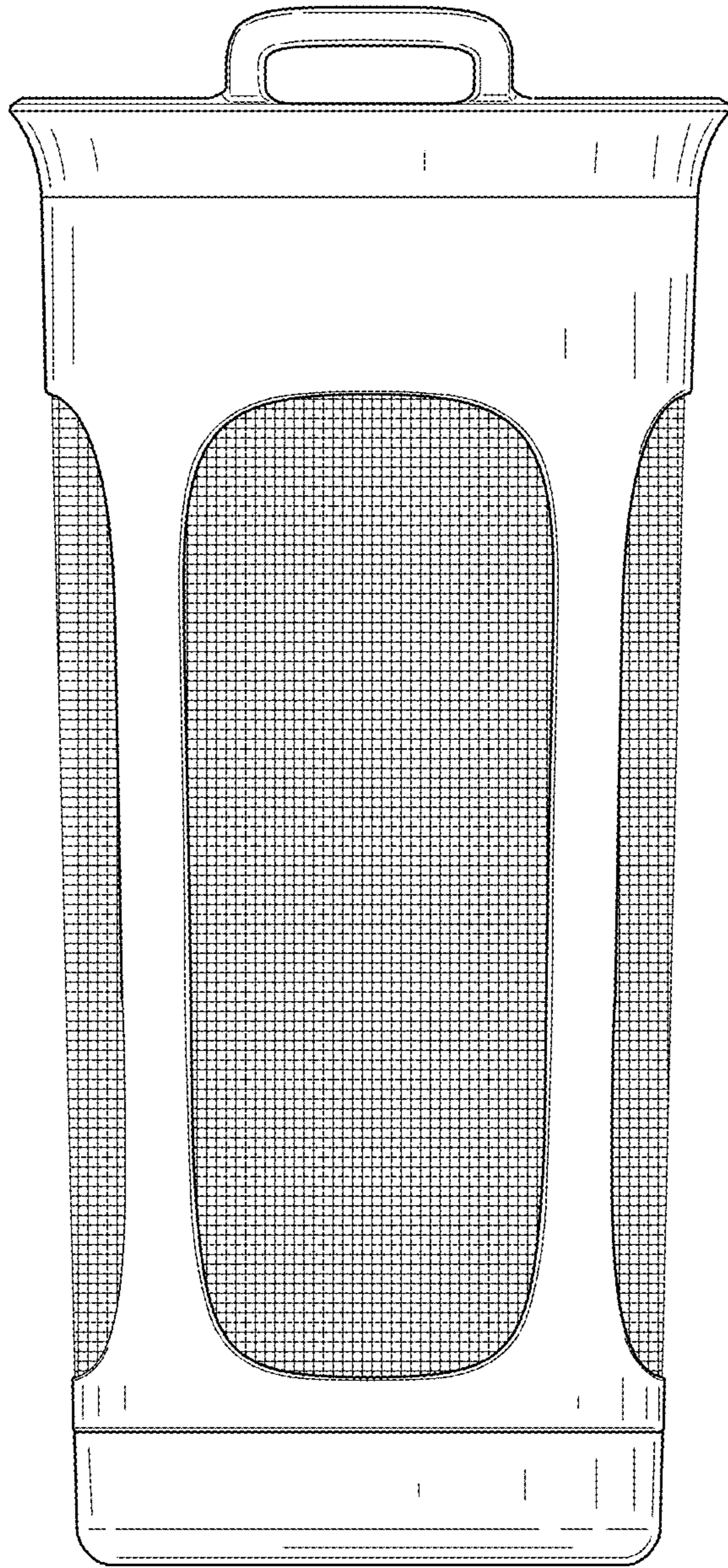


FIG. 13

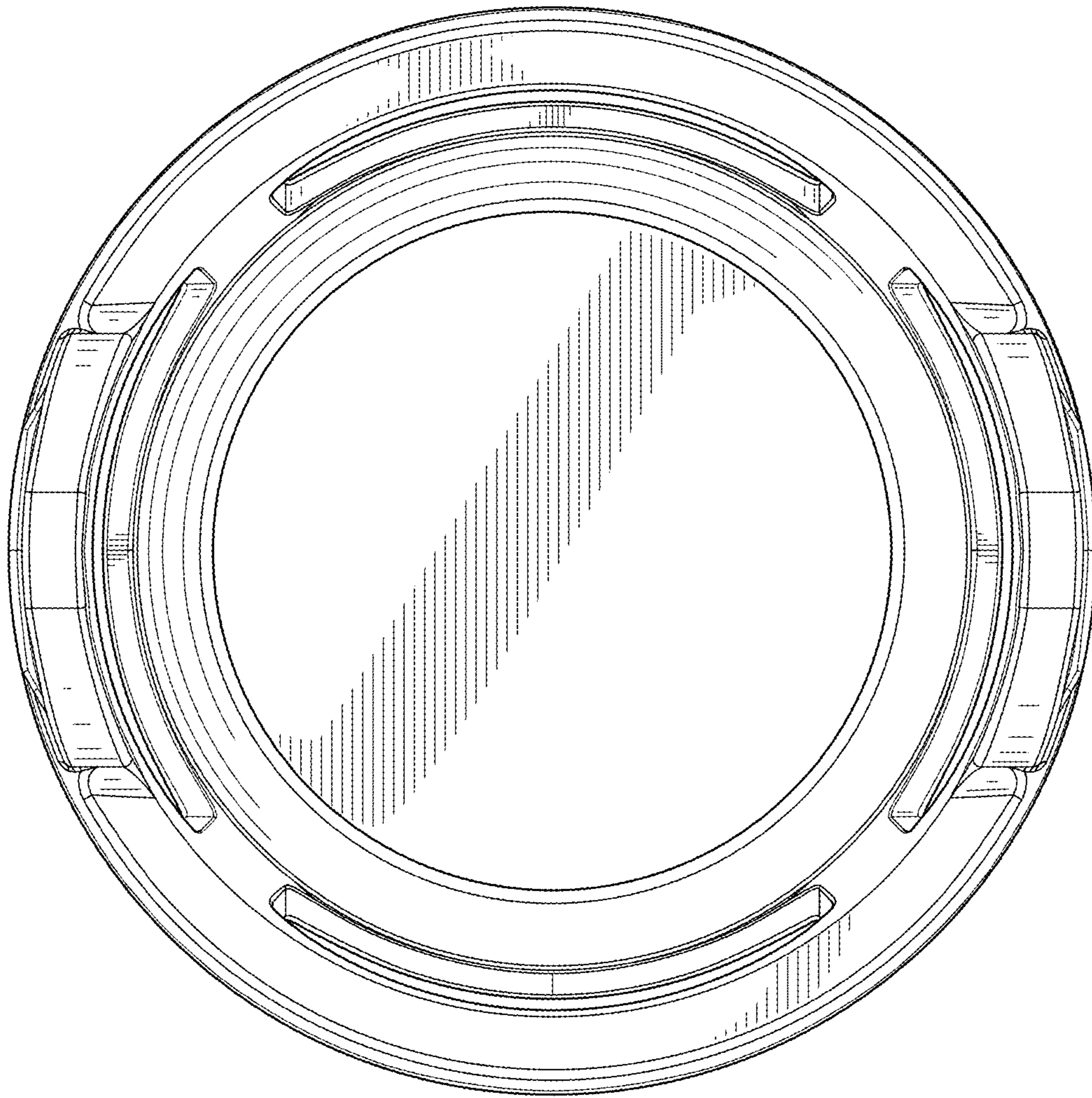


FIG. 14

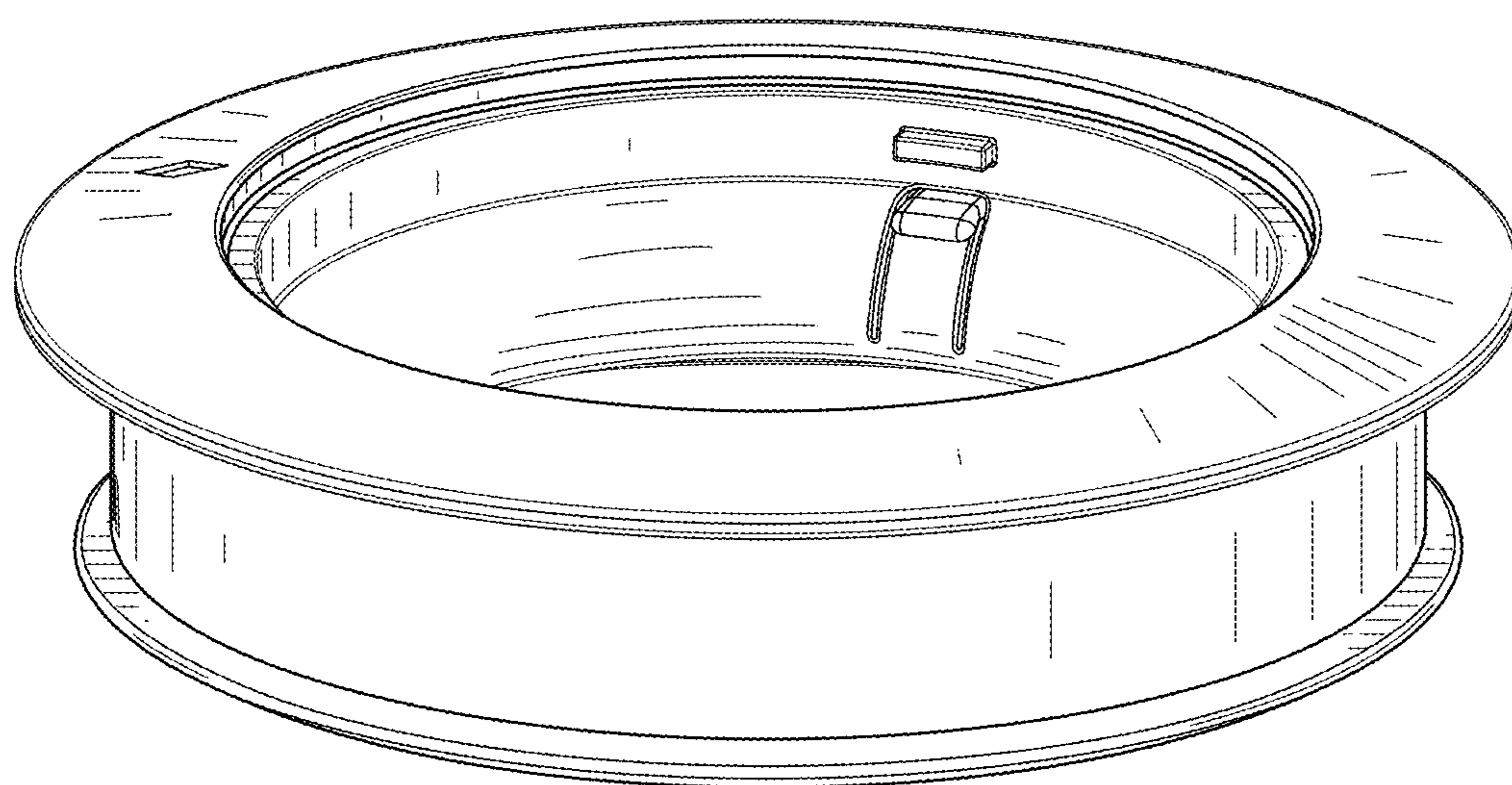


FIG. 15

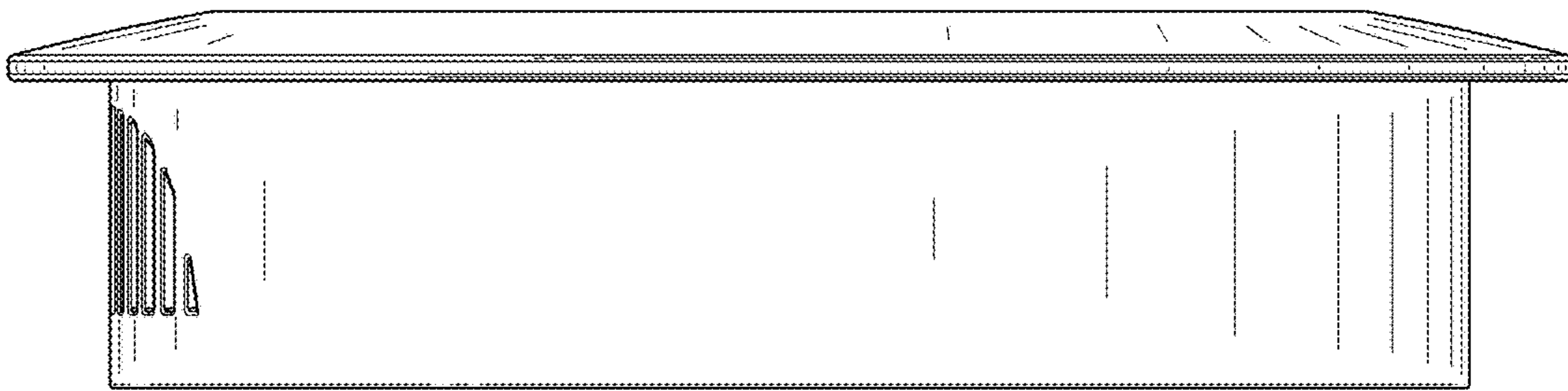


FIG. 16

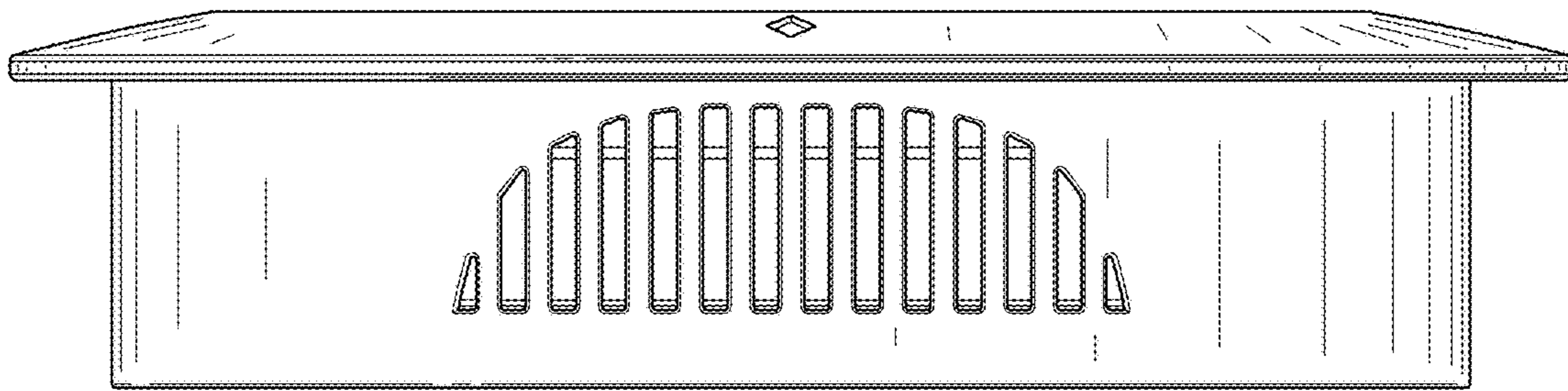


FIG. 17

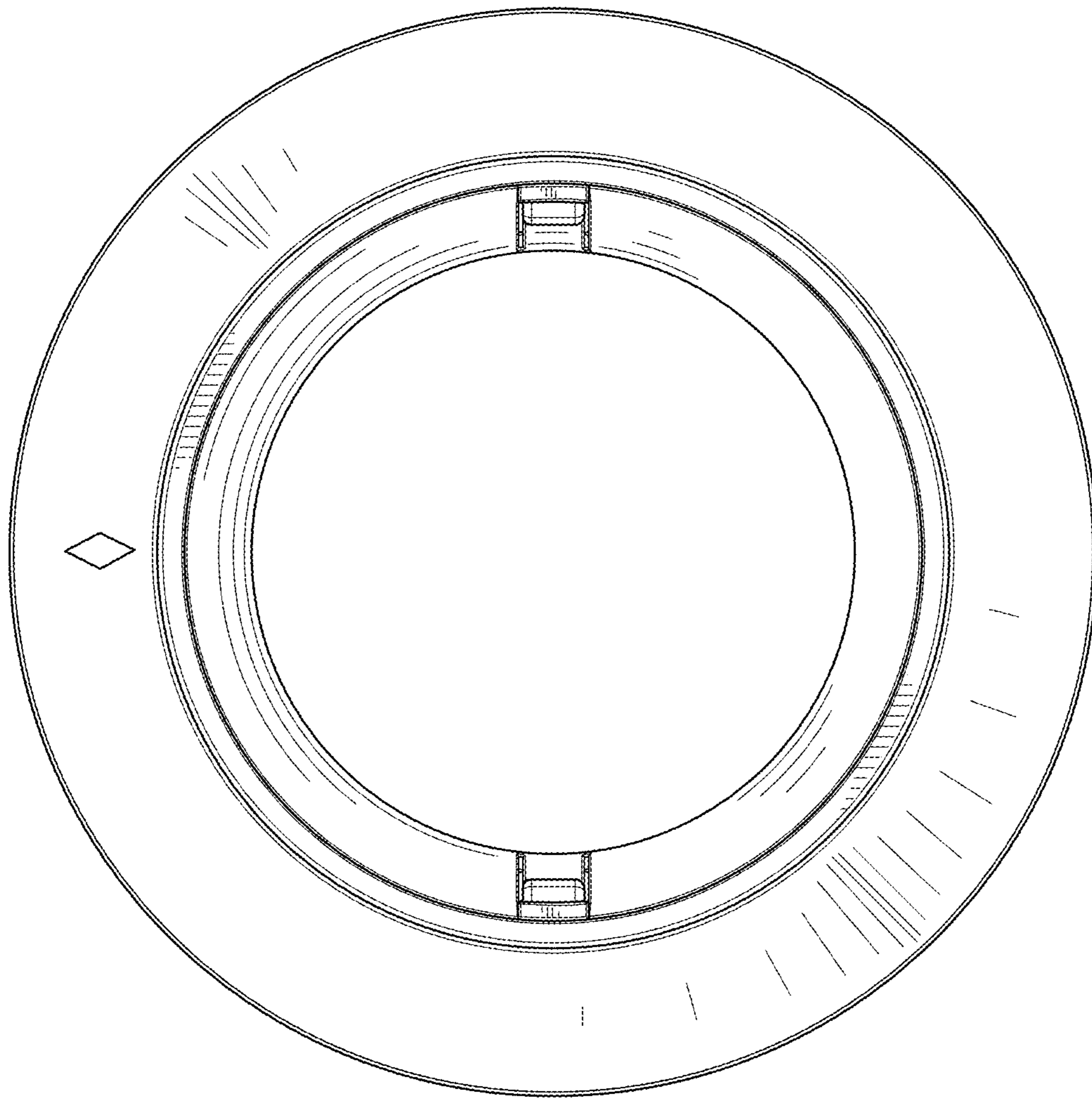


FIG. 18

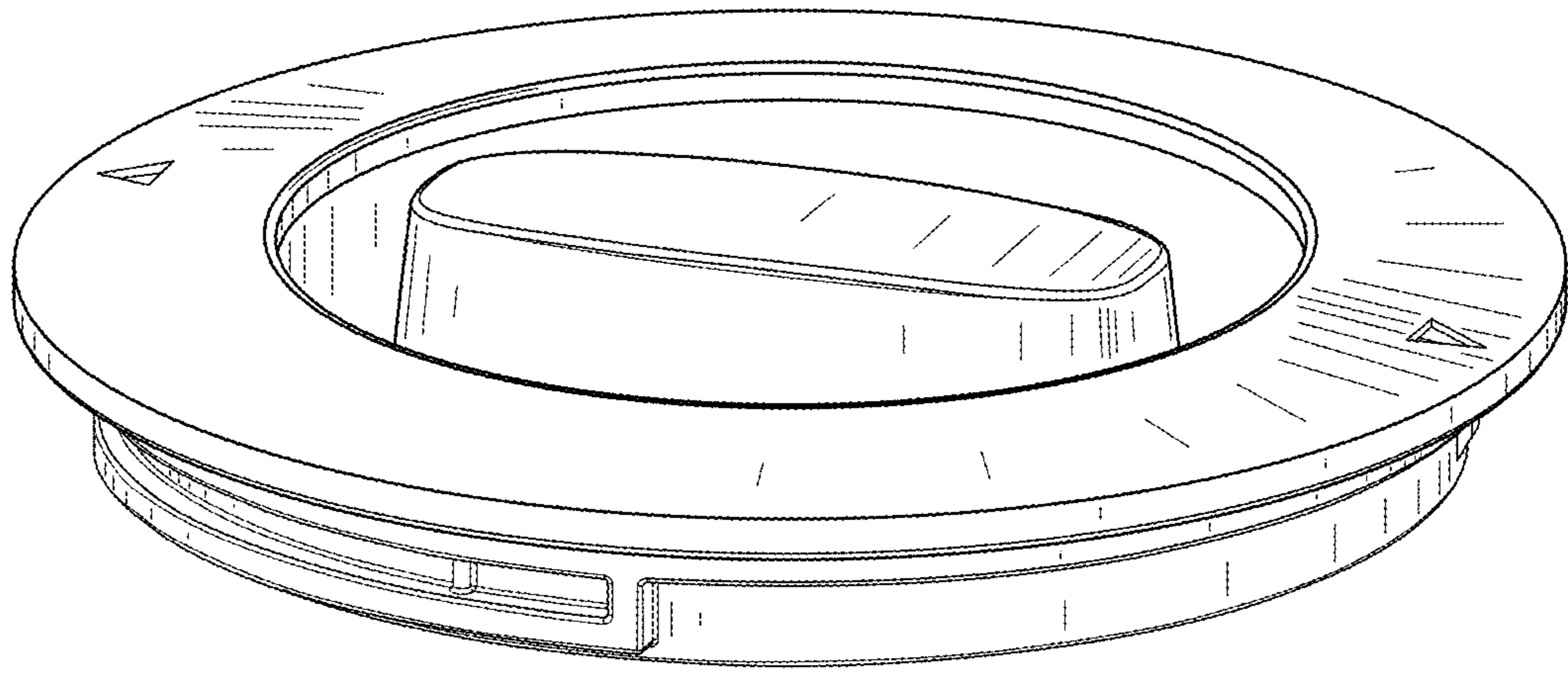


FIG. 19

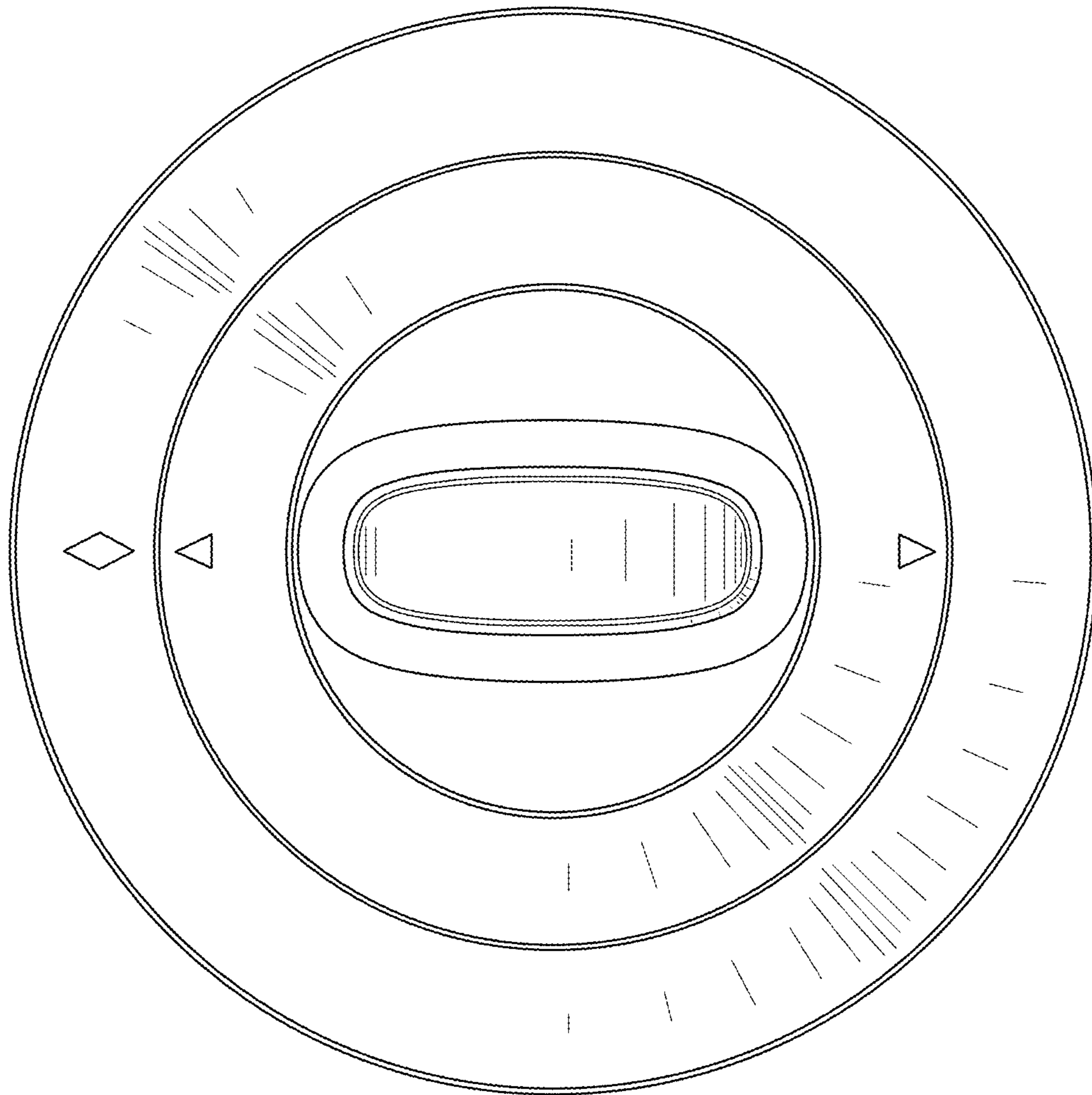


FIG. 20

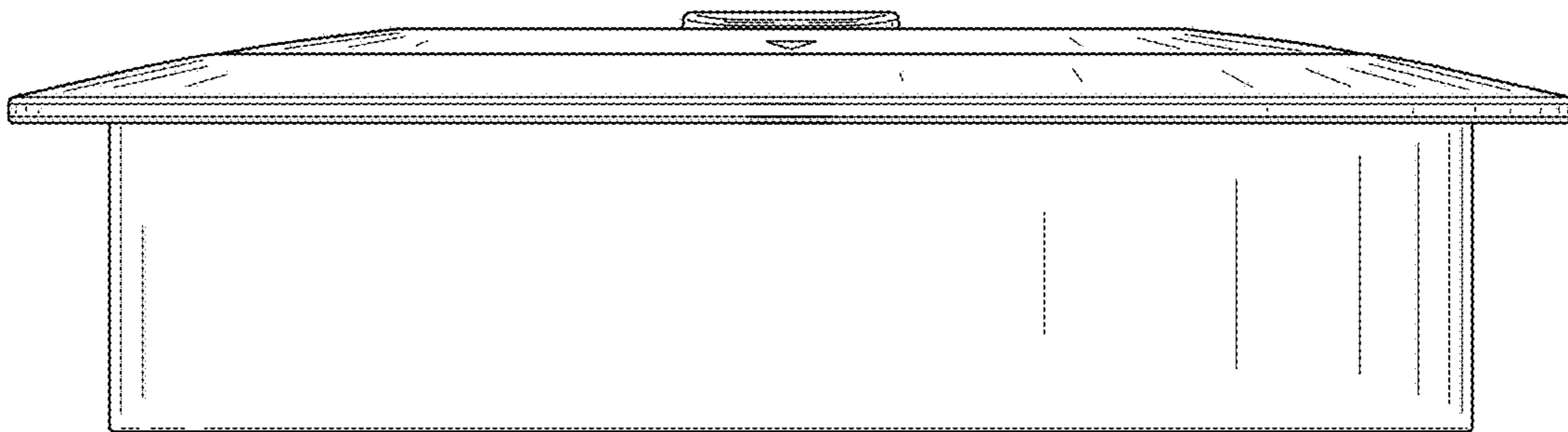


FIG. 21