



US00D799254S

(12) **United States Design Patent**  
**Mulder et al.**

(10) **Patent No.:** **US D799,254 S**

(45) **Date of Patent:** **\*\* Oct. 10, 2017**

(54) **SEATBACK FRAME**

(71) Applicant: **EXEMPLIS LLC**, Cypress, CA (US)

(72) Inventors: **Mitch Mulder**, Huntington Beach, CA (US); **Paul Devries**, Huntington Beach, CA (US); **Adam Huennekens**, Fullerton, CA (US)

(73) Assignee: **EXEMPLIS LLC**, Cypress, CA (US)

(\*\*) Term: **15 Years**

(21) Appl. No.: **29/559,455**

(22) Filed: **Mar. 28, 2016**

(51) **LOC (10) Cl.** ..... **06-01**

(52) **U.S. Cl.**

USPC ..... **D6/716.4**

(58) **Field of Classification Search**

USPC ..... D6/334-336, 364, 365, 366, 369, 374,  
D6/376, 379, 380, 716, 716.1, 716.2,  
D6/716.3, 716.4

CPC ..... A47C 7/46; A47C 7/462; A47C 7/022;  
A47C 7/282; A47C 7/285; B60N 2/20;  
B60N 2/66

See application file for complete search history.

(56) **References Cited**

**U.S. PATENT DOCUMENTS**

D445,580 S \* 7/2001 Pennington ..... D6/366  
D505,798 S \* 6/2005 Seiler ..... D6/366  
D534,384 S \* 1/2007 Su ..... D6/366

(Continued)

*Primary Examiner* — Mimosa De

(74) *Attorney, Agent, or Firm* — Gordon Rees Scully  
Mansukhani LLP; Sean D. Flaherty

(57) **CLAIM**

The ornamental design for a seatback frame, as shown and disclosed.

**DESCRIPTION**

FIG. 1 is a top rear isometric view of a first embodiment of a seatback frame of the present invention.

FIG. 2 is a front elevation view of the seatback frame of FIG. 1.

FIG. 3 is a rear elevation view of the seatback frame of FIG. 1.

FIG. 4 is a right-side elevation view of the seatback frame of FIG. 1.

FIG. 5 is a left-side elevation view of the seatback frame of FIG. 1.

FIG. 6 is a top plan view of the seatback frame of FIG. 1.

FIG. 7 is a bottom plan view of the seatback frame of FIG. 1.

FIG. 8 is a top front isometric view of the seatback frame of FIG. 1 with a seatback covering removed.

FIG. 9 is a top front isometric view of the seatback frame of FIG. 1.

FIG. 10 is a top rear isometric view of a second embodiment of a seatback frame of the present invention.

FIG. 11 is a front elevation view of the seatback frame of FIG. 10.

FIG. 12 is a rear elevation view of the seatback frame of FIG. 10.

FIG. 13 is a right-side elevation view of the seatback frame of FIG. 10.

FIG. 14 is a left-side elevation view of the seatback frame of FIG. 10.

FIG. 15 is a top plan view of the seatback frame of FIG. 10.

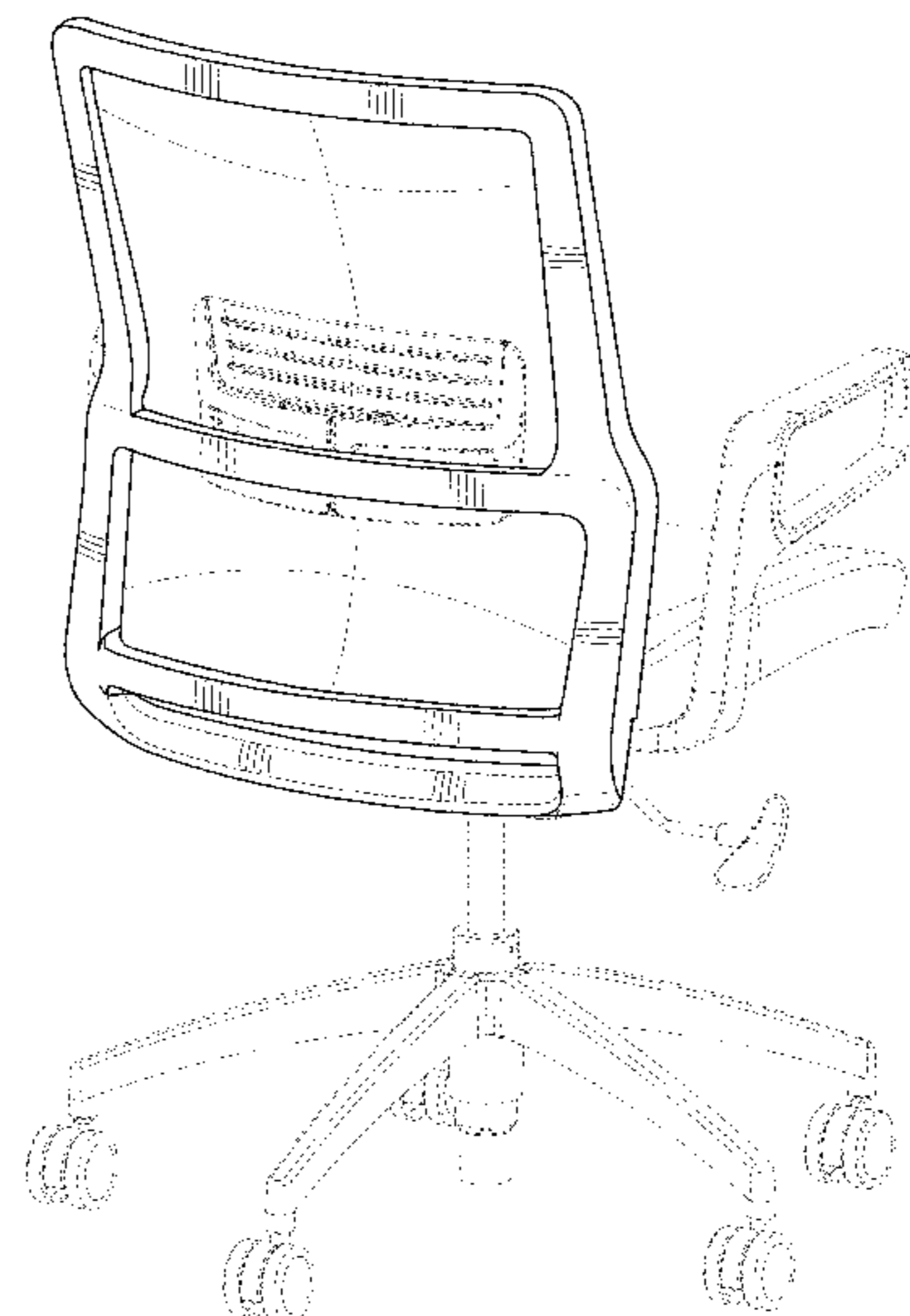
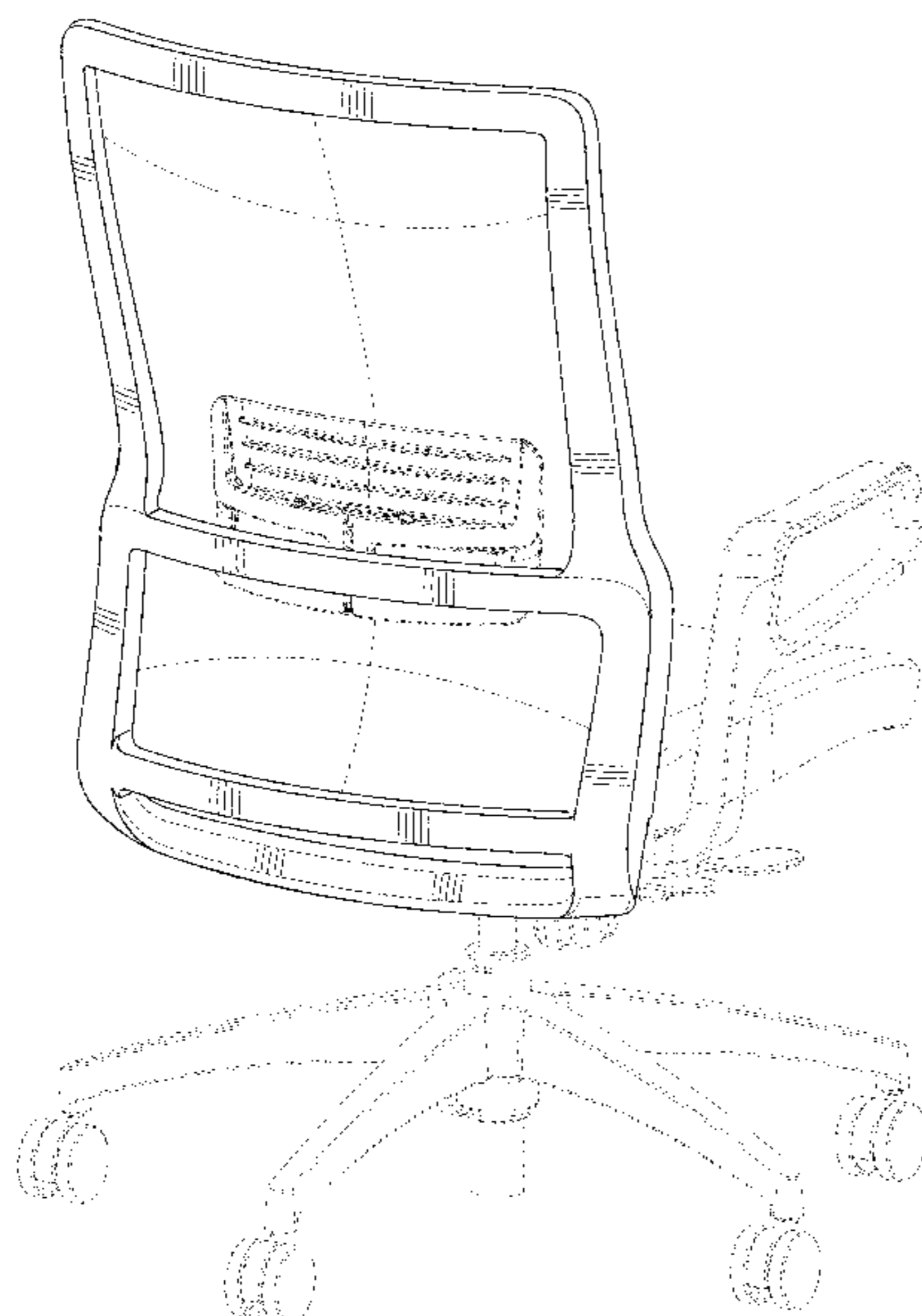
FIG. 16 is a bottom plan view of the seatback frame of FIG. 10.

FIG. 17 is a top front isometric view of the seatback frame of FIG. 10 with a seatback covering removed; and,

FIG. 18 is a top front isometric view of the seatback frame of FIG. 10.

The dotted lines are for illustration purposes only and form no part of the claimed design.

**1 Claim, 18 Drawing Sheets**



(56)

**References Cited**

U.S. PATENT DOCUMENTS

D667,244	S *	9/2012	Su .....	D6/716.4
D683,552	S *	6/2013	Wu .....	D6/366
D687,660	S *	8/2013	Hsuan-Chin .....	D6/366
D703,966	S *	5/2014	Wu .....	D6/366
D708,879	S *	7/2014	Tsai .....	D6/716
9,282,825	B1 *	3/2016	Rogers .....	A47C 7/462
D774,814	S *	12/2016	Powell .....	D6/716.4
9,648,957	B2 *	5/2017	Su .....	A47C 7/46
2002/0036420	A1 *	3/2002	Footitt .....	A47C 7/462 297/284.4
2007/0057550	A1 *	3/2007	Beyer .....	A47C 7/462 297/284.4

\* cited by examiner

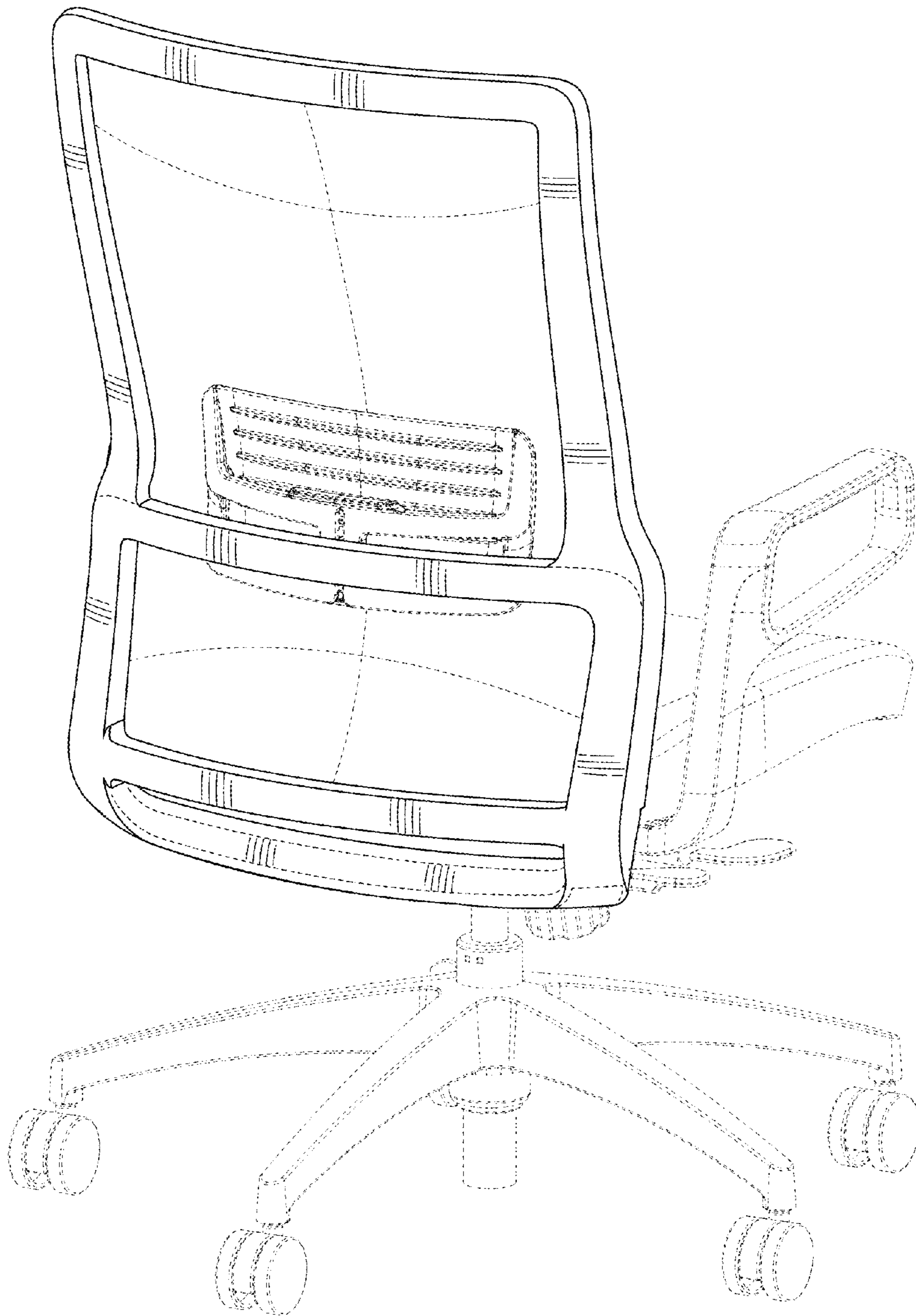


FIG. 1

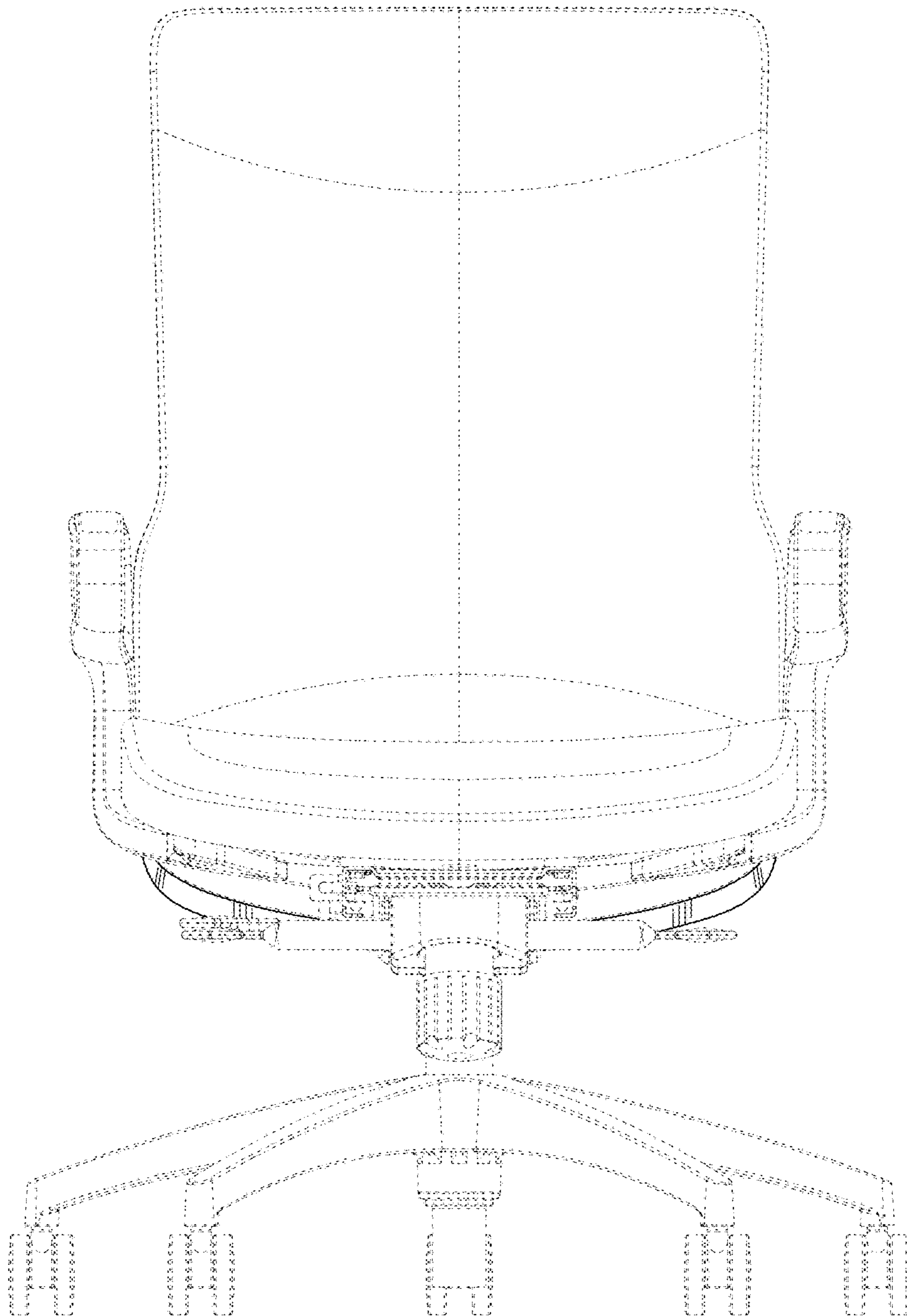


FIG. 2

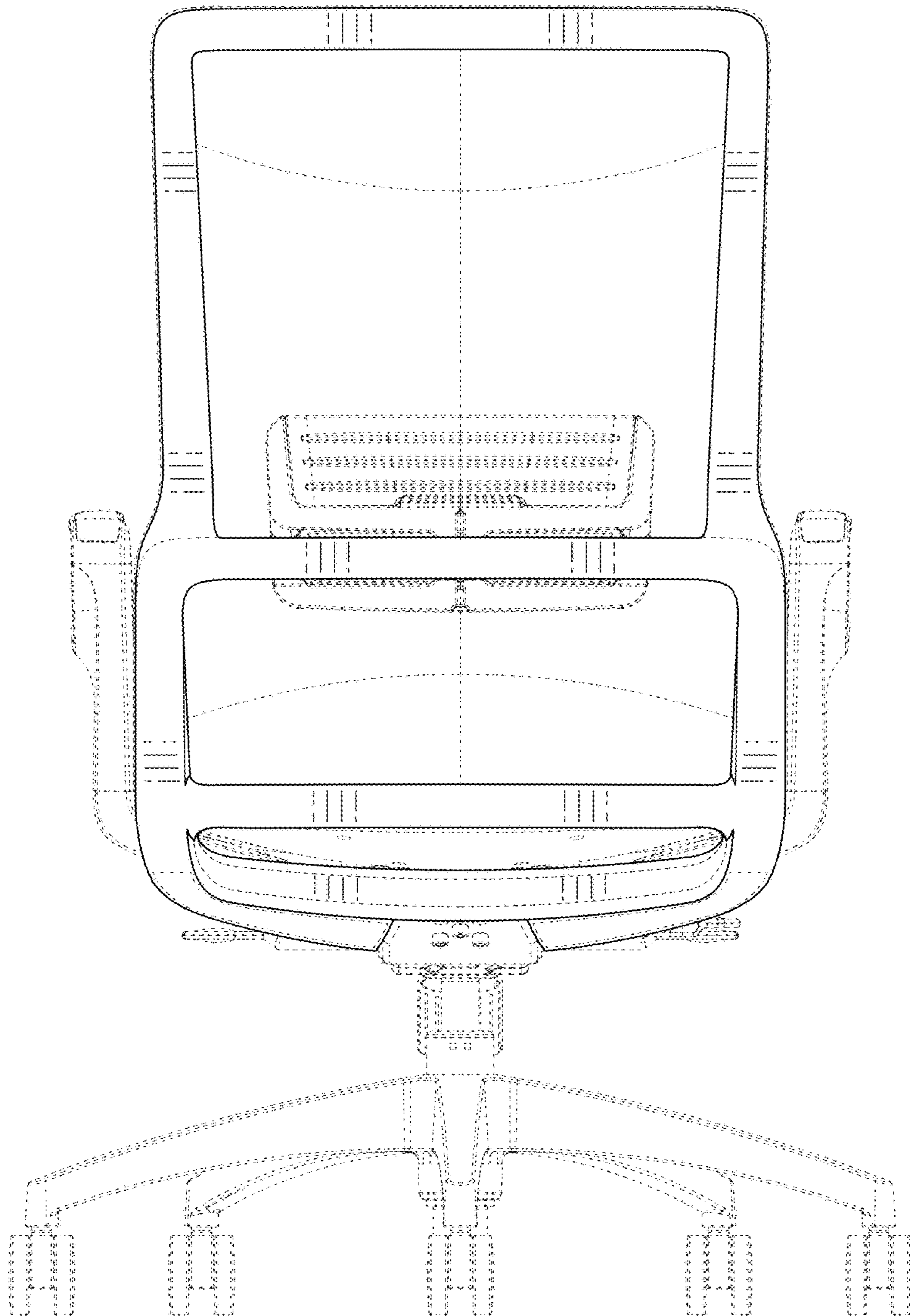


FIG. 3

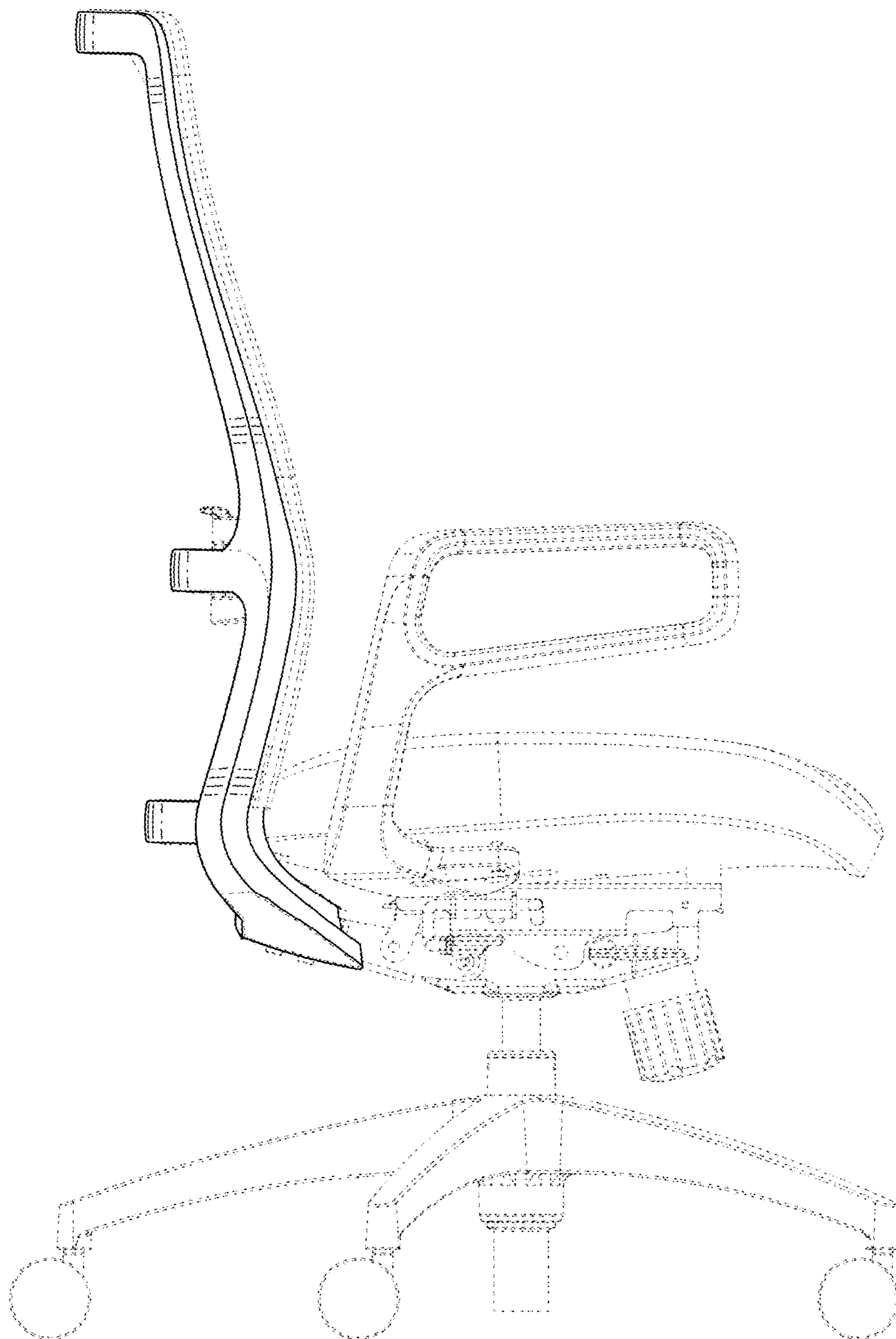


FIG. 4

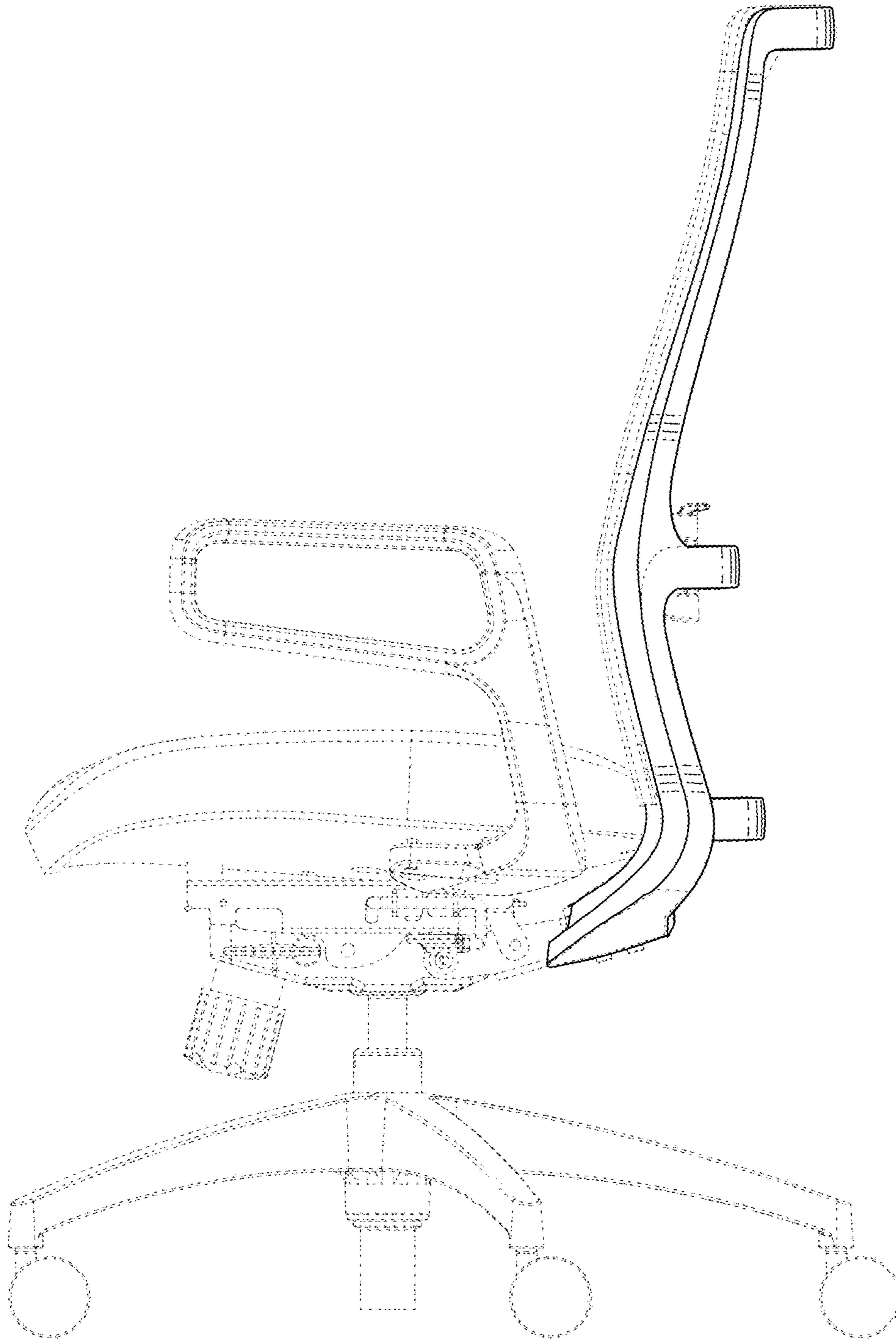


FIG. 5

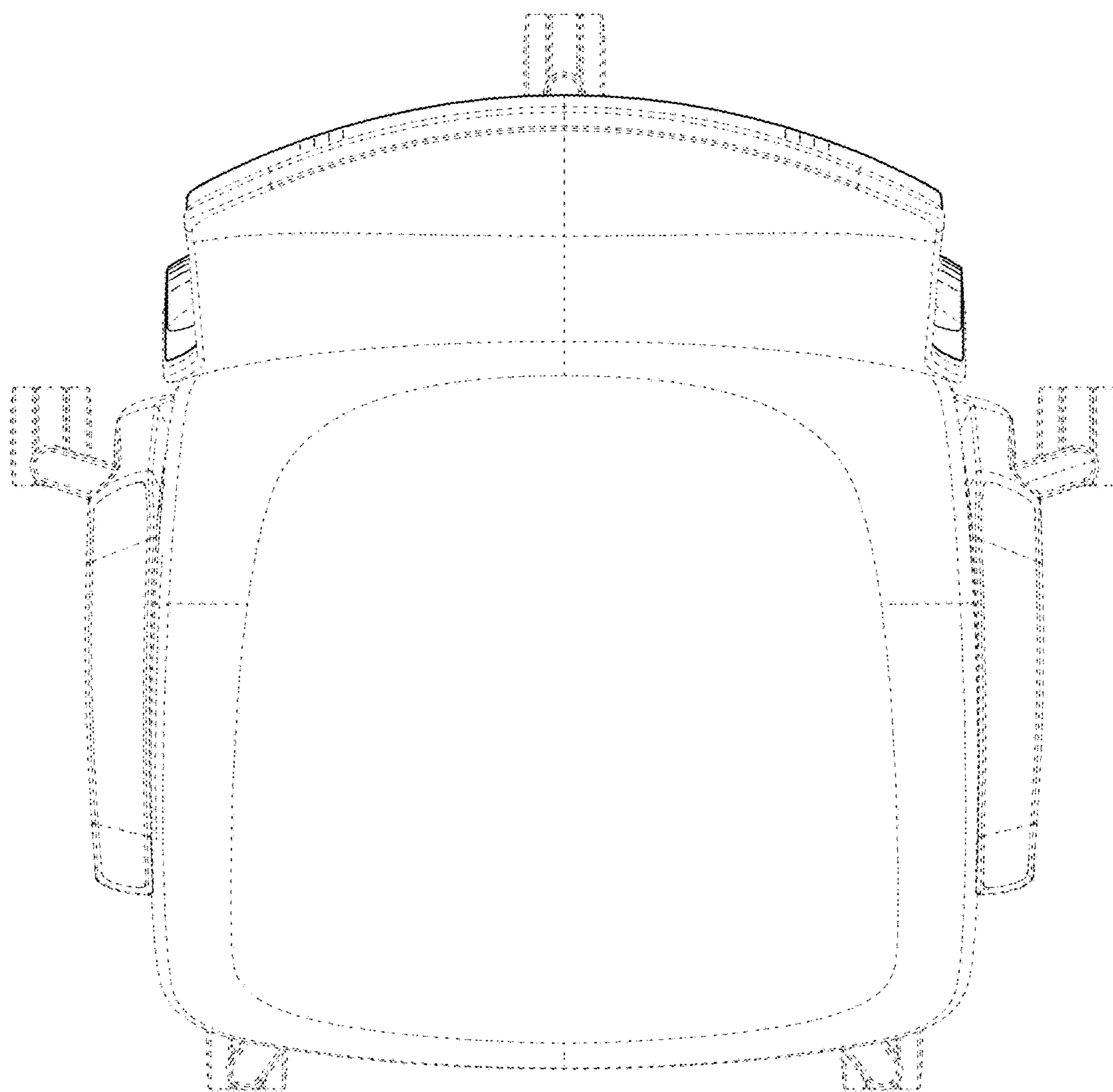


FIG. 6



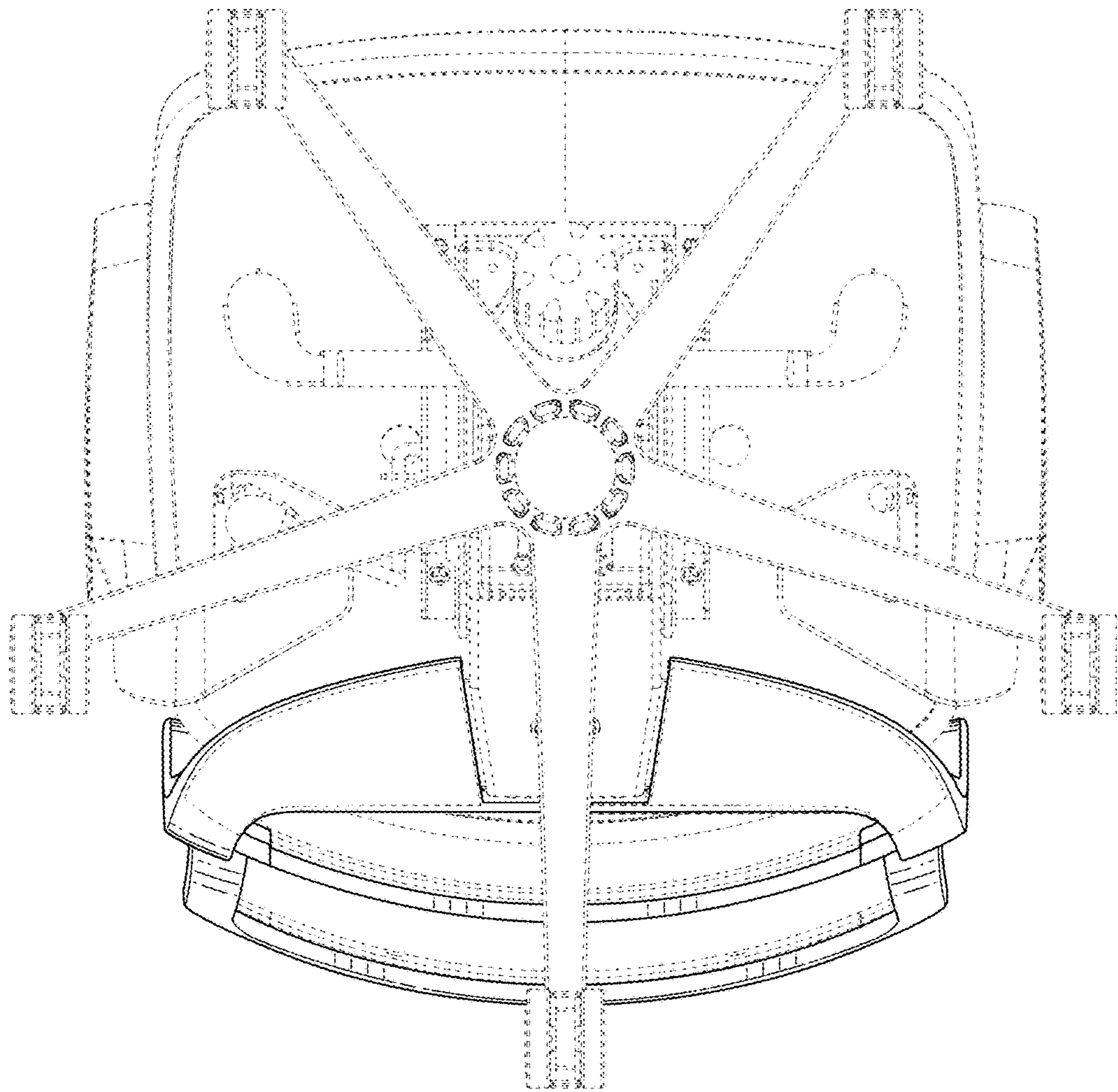


FIG. 7

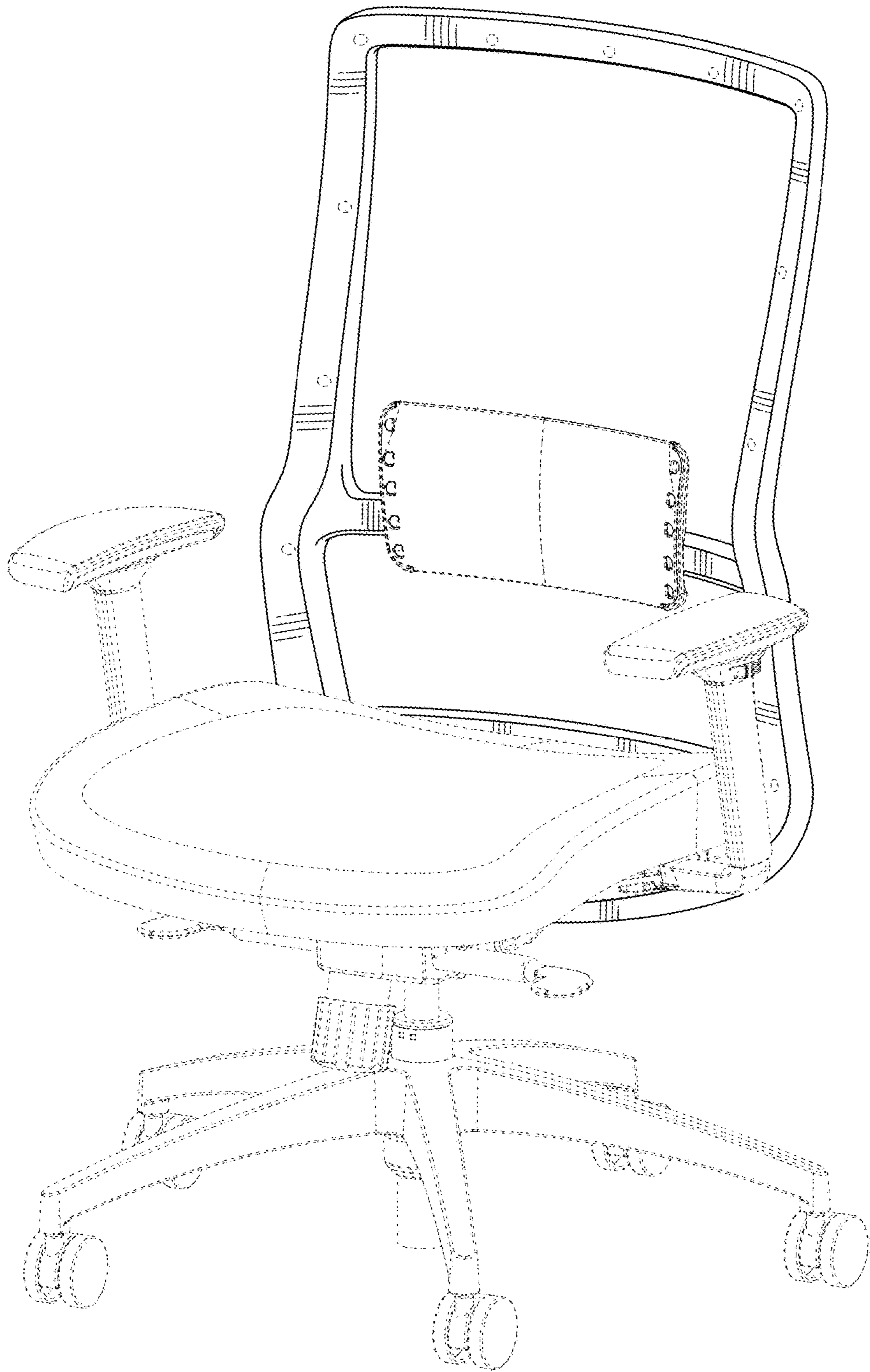


FIG. 8



FIG. 9

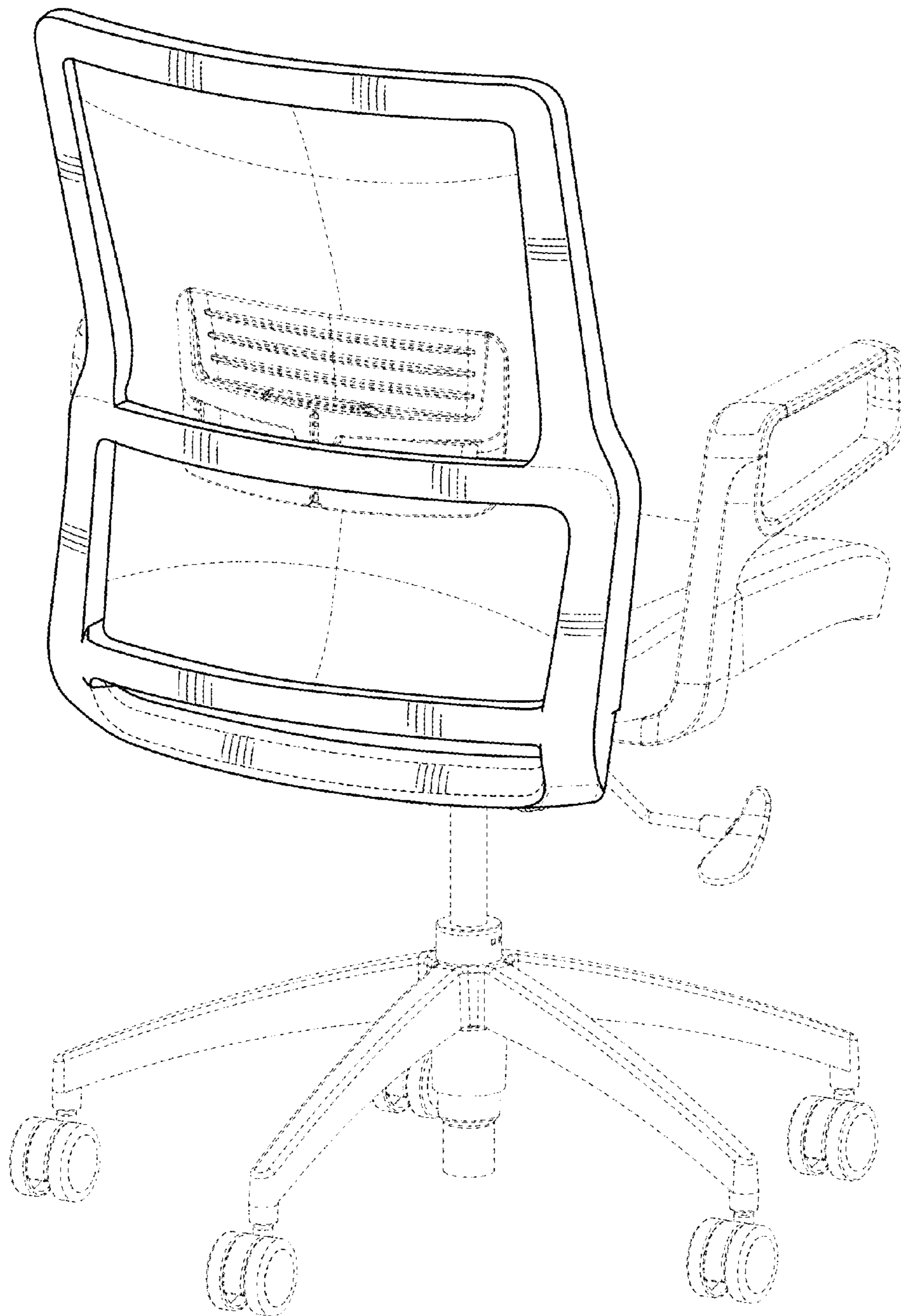


FIG. 10

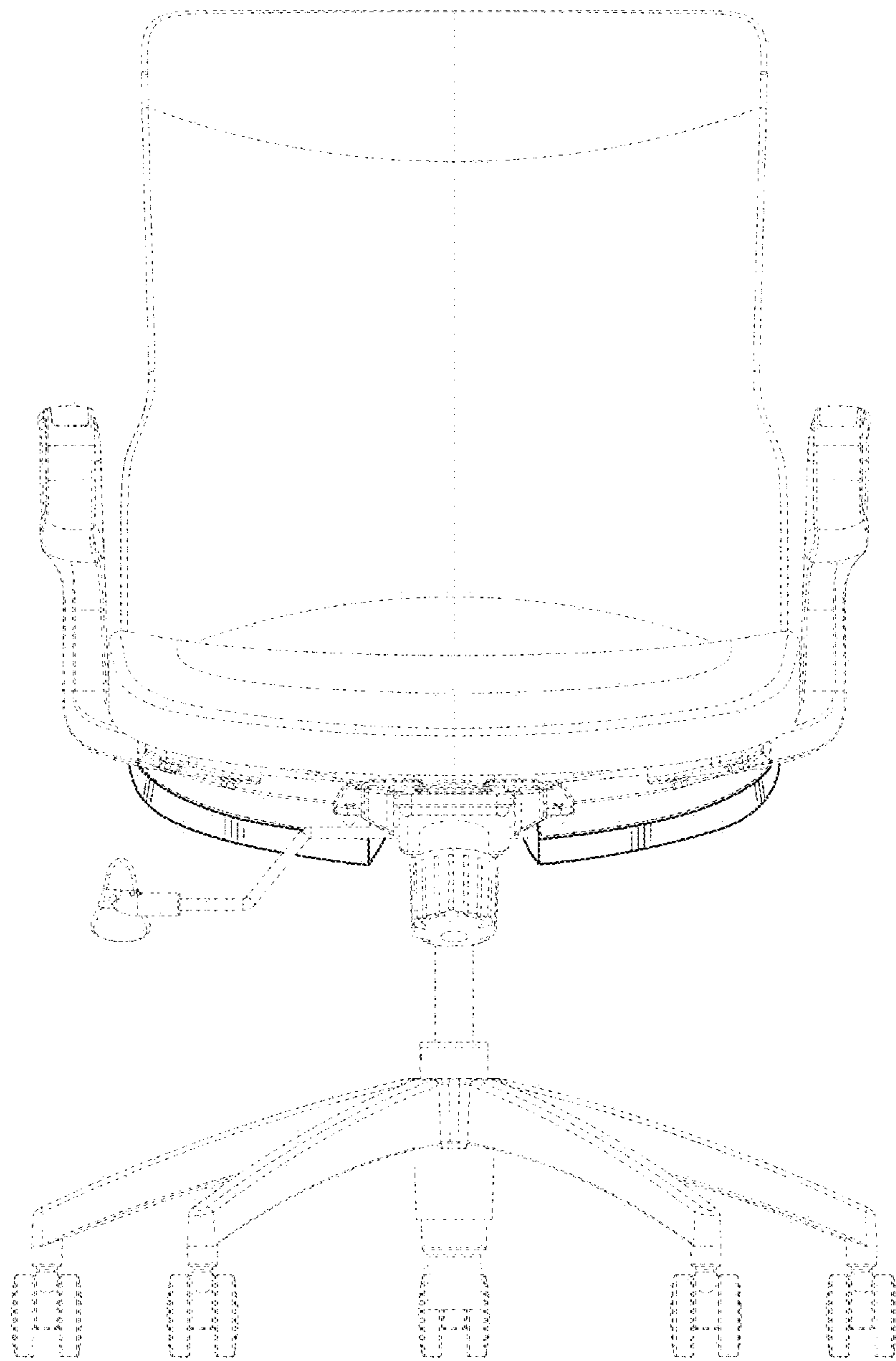


FIG. 11

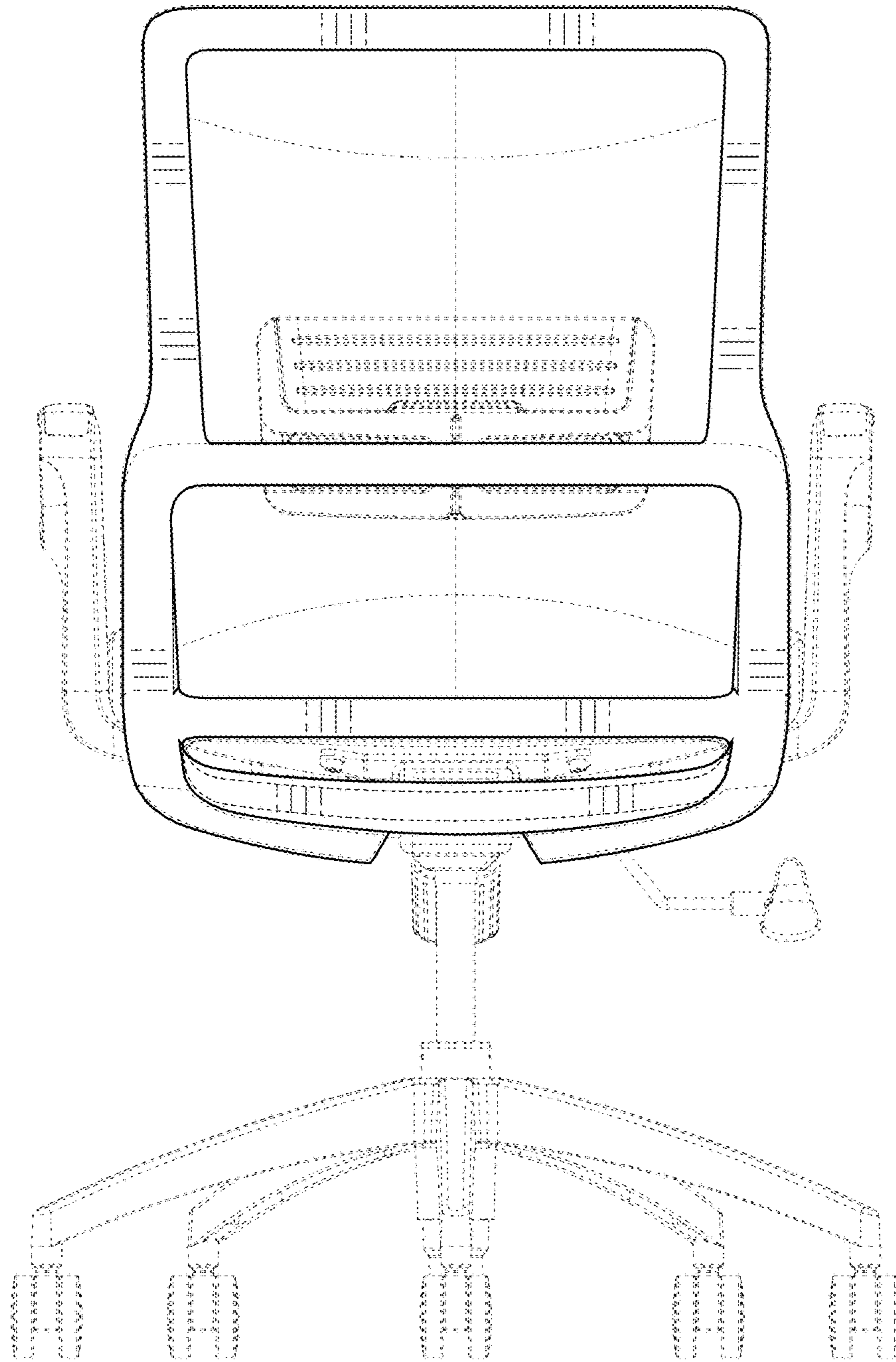


FIG. 12

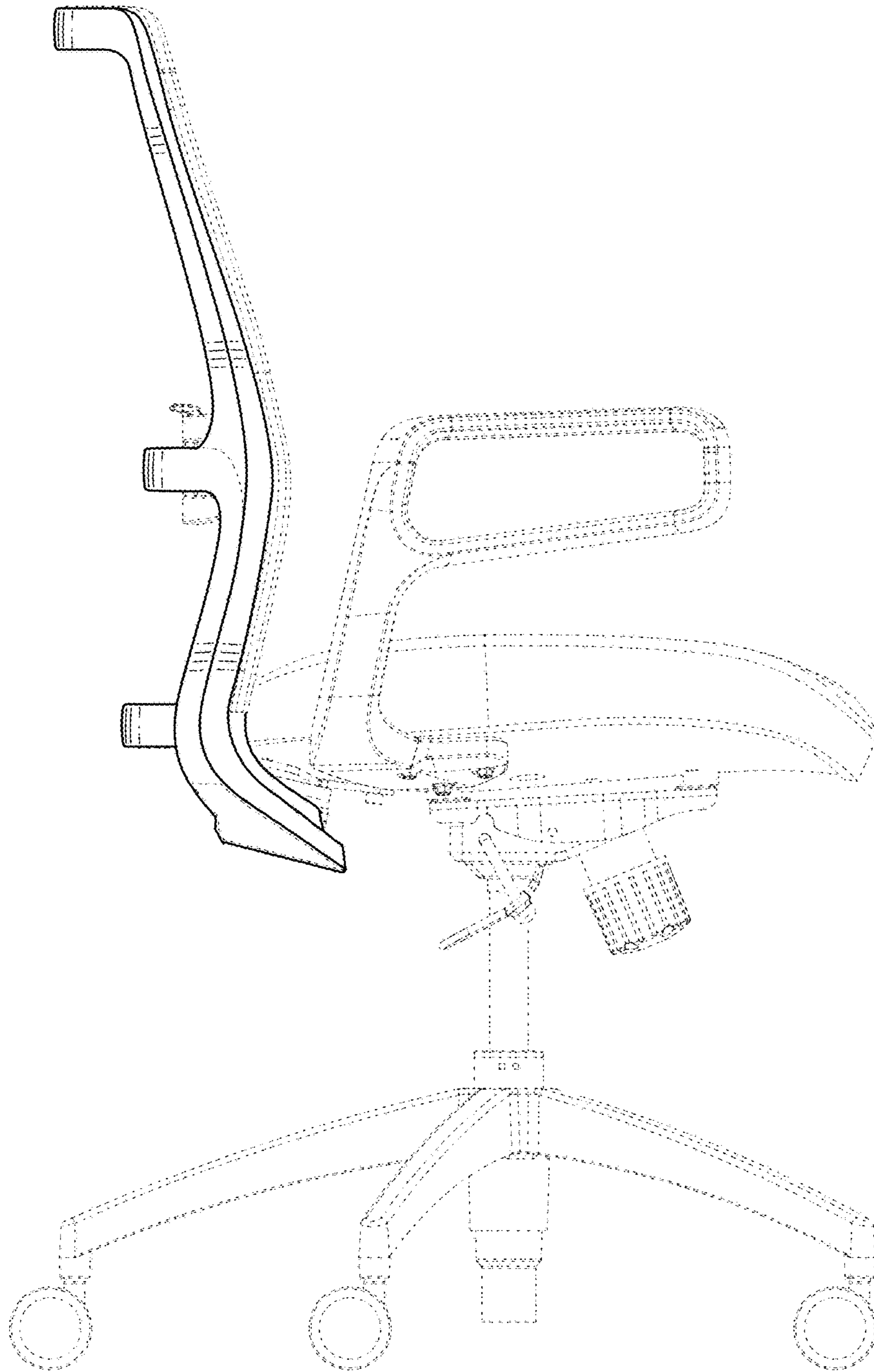


FIG. 13

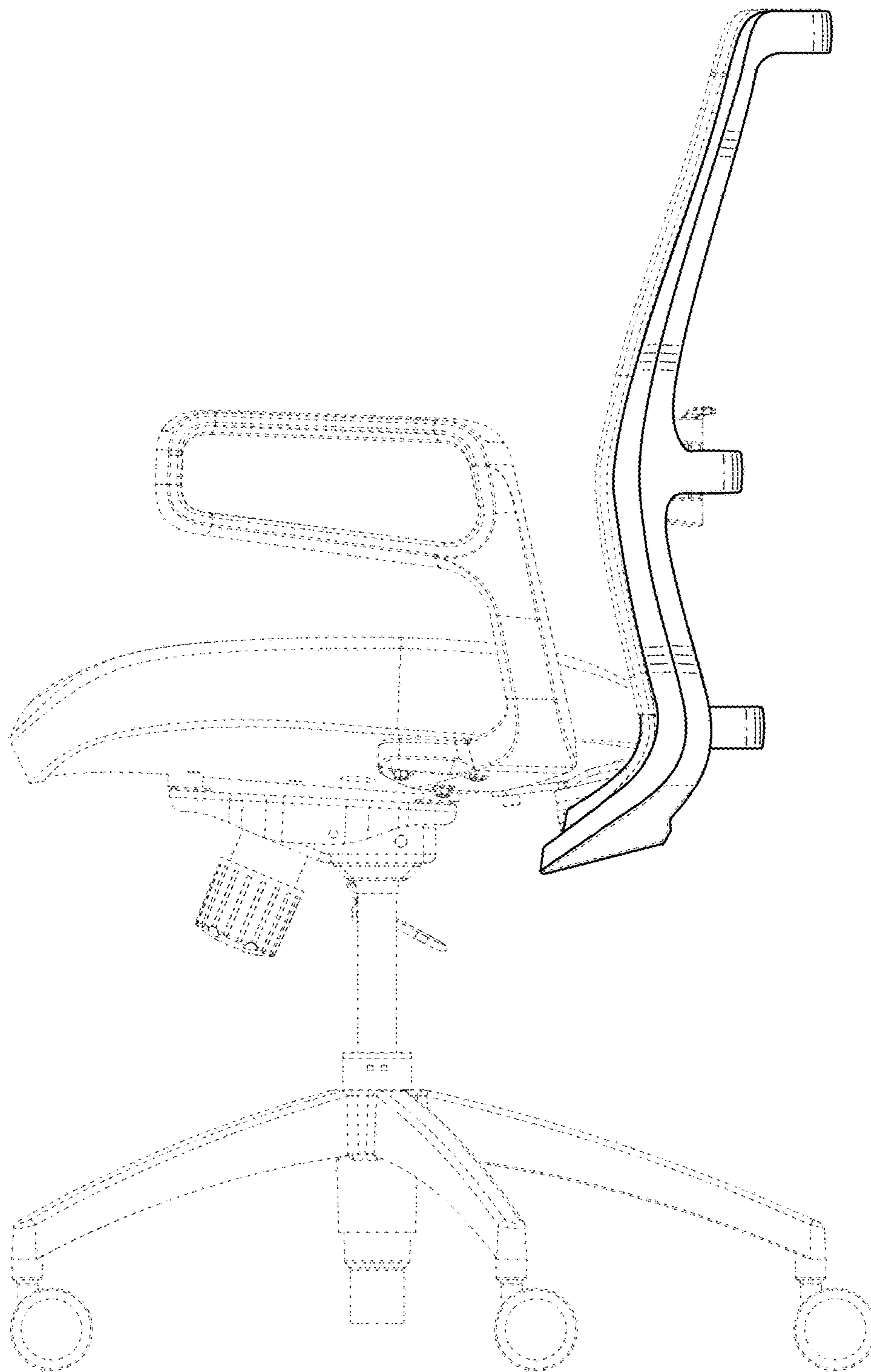


FIG. 14



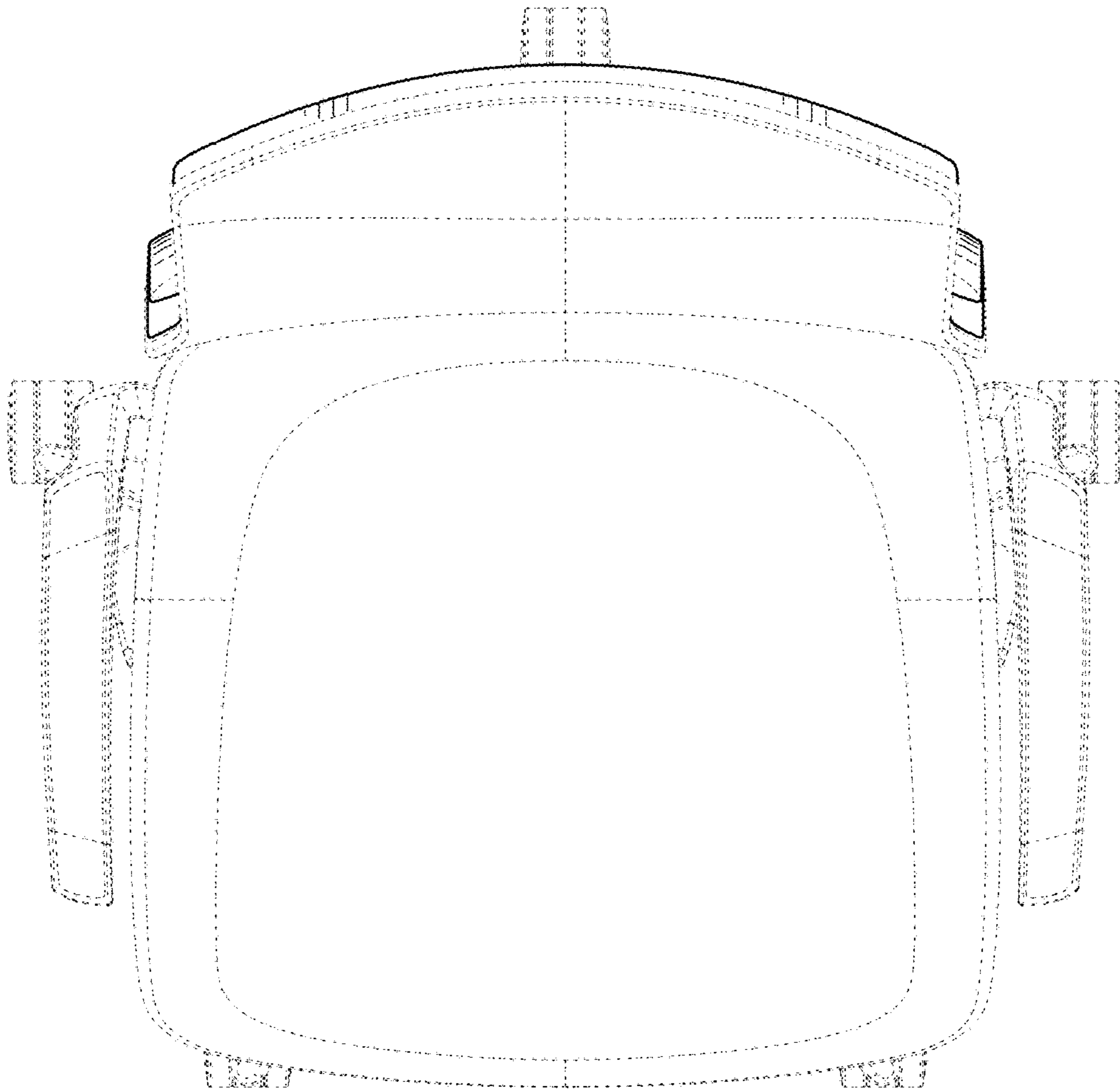


FIG. 15

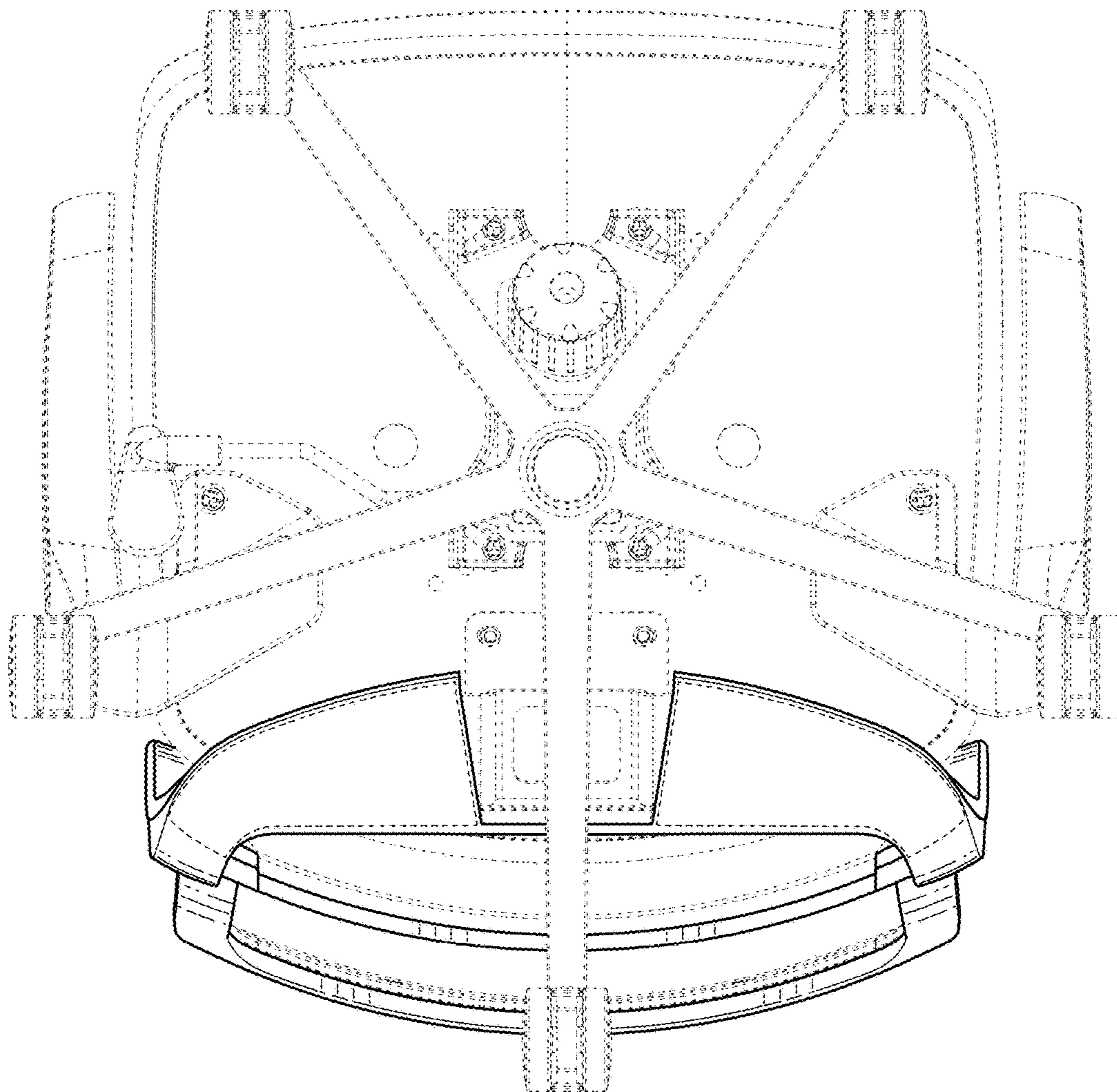


FIG. 16

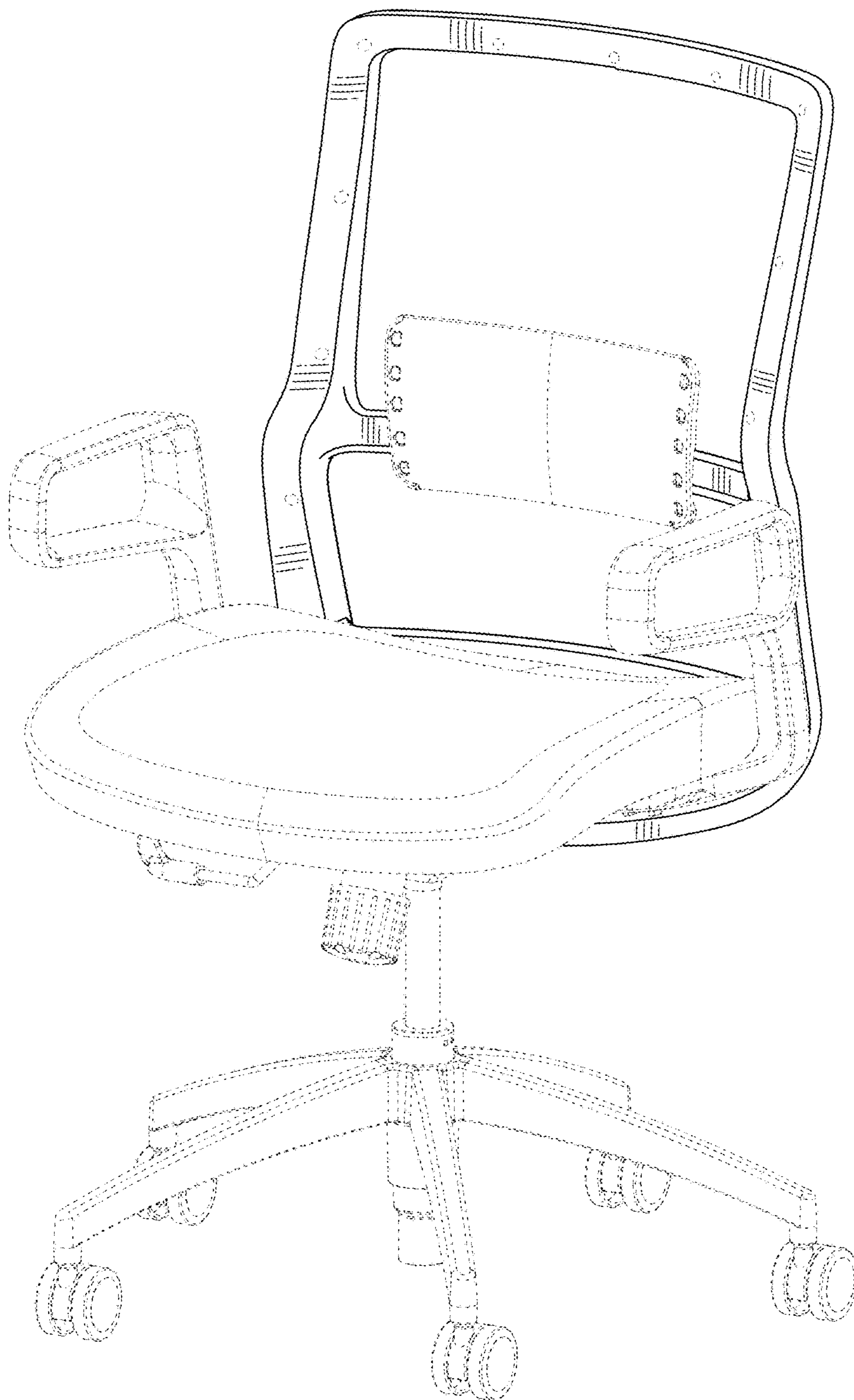


FIG. 17

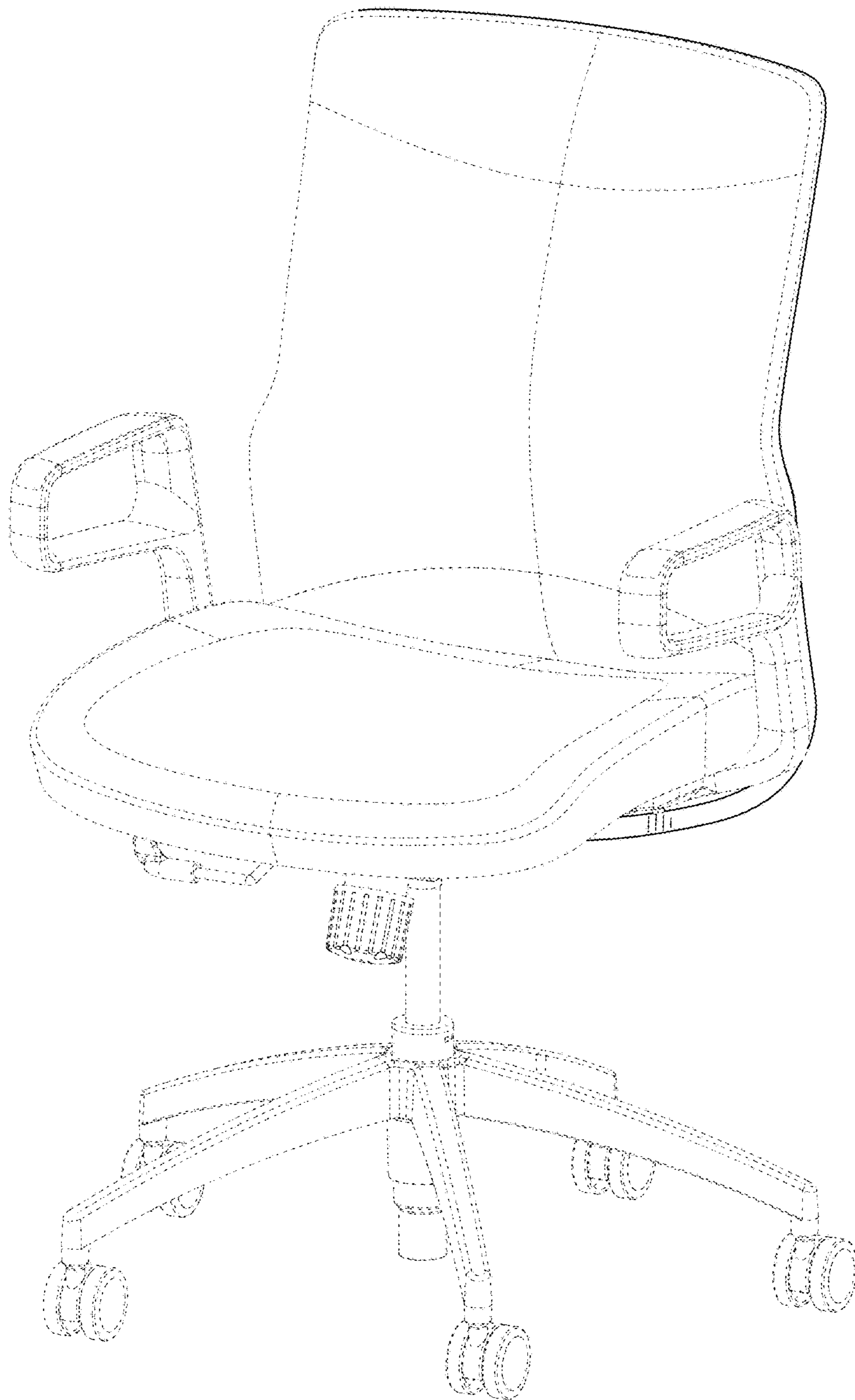


FIG. 18