



US00D799251S

(12) **United States Design Patent** (10) **Patent No.:** **US D799,251 S**  
**Conway** (45) **Date of Patent:** **\*\* Oct. 10, 2017**

(54) **TABLE**  
(71) Applicant: **Halcon Inc.**, Stewartville, MN (US)  
(72) Inventor: **Benjamin Saintmane Conway**,  
Chatfield, MN (US)  
(73) Assignee: **Halcon Inc.**, Stewartville, MN (US)  
(\*\*) Term: **14 Years**  
(21) Appl. No.: **29/502,198**

D493,310 S \* 7/2004 Ashby ..... D6/707.15  
D503,296 S \* 3/2005 Mason ..... D6/642  
D541,084 S 4/2007 Korber  
7,197,988 B2 \* 4/2007 Degen ..... A47B 13/16  
108/26  
7,455,018 B2 11/2008 Conley  
D585,218 S 1/2009 Hamilton  
D590,185 S \* 4/2009 Karashima ..... D6/691.8  
D597,345 S 8/2009 Oshinomi  
D611,733 S 3/2010 Stukenberg  
D611,997 S 3/2010 De Viveiros Ortiz  
D644,455 S 9/2011 Wilson  
8,042,475 B2 \* 10/2011 Larcom ..... A47B 3/0916  
108/130

(Continued)

(22) Filed: **Sep. 12, 2014**  
(51) **LOC (10) Cl.** ..... **06-06**  
(52) **U.S. Cl.**  
USPC ..... **D6/702**  
(58) **Field of Classification Search**  
USPC ..... D6/641, 653, 685, 691, 702, 705, 705.7,  
D6/707, 707.19, 707.24, 719  
CPC ..... A47B 7/00; A47B 9/00; A47B 2009/006;  
A47B 13/00; A47B 13/02; A47B 13/003;  
A47B 13/08; A47B 13/088; A47B 1/10;  
A47B 2001/105; A47B 3/00; A47B  
88/00; A47B 88/0003; A47B 88/0051;  
A47B 88/04

See application file for complete search history.

(56) **References Cited**

**U.S. PATENT DOCUMENTS**

2,654,782 A 10/1882 Edison  
830,532 A \* 9/1906 Rozee ..... A47B 31/06  
108/11  
3,794,398 A 2/1974 Lindsay  
4,194,452 A 3/1980 Crowther  
D304,396 S 11/1989 Pitchersky et al.  
D331,849 S 12/1992 Weyel  
D364,290 S 11/1995 Watts  
D400,743 S 11/1998 Jenkins  
D412,415 S 8/1999 Adler et al.  
D449,185 S 10/2001 Solloway

**OTHER PUBLICATIONS**

Halcon, "Medio Conference," (2007), 4 pages.

(Continued)

*Primary Examiner* — Mary Ann Calabrese  
(74) *Attorney, Agent, or Firm* — Fish & Richardson P.C.

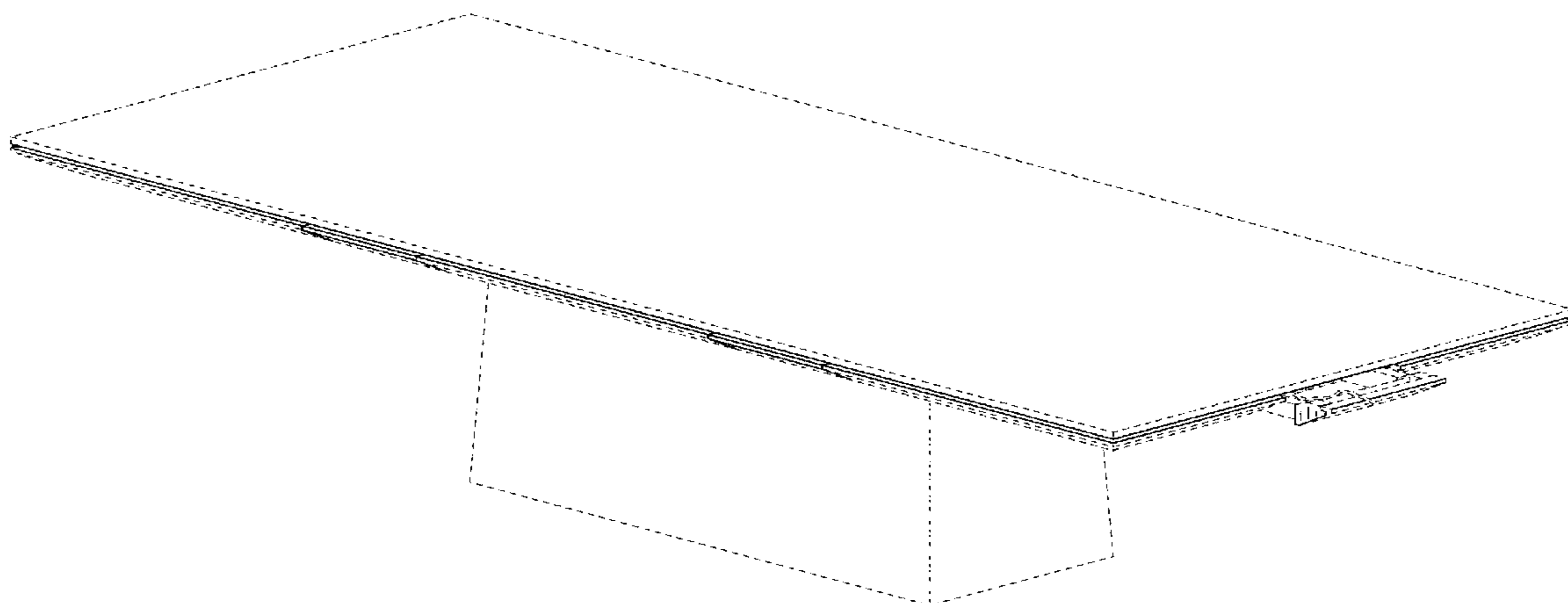
(57) **CLAIM**

The ornamental design for a table, substantially as shown and described.

**DESCRIPTION**

FIG. 1 is a perspective view of a table.  
FIG. 2 is a front view of the table of FIG. 1.  
FIG. 3 is a rear view of the table of FIG. 1.  
FIG. 4 is a right side view of the table of FIG. 1.  
FIG. 5 is a left view of the table of FIG. 1.  
FIG. 6 is a top view of the table of FIG. 1; and,  
FIG. 7 is a bottom view of the table of FIG. 1.  
The broken lines adjacent to the solid lines on the table top represent the boundaries of the claimed portion of the design and form no part thereof. All other broken lines represent portions of the table that form no part of the claimed design.

**1 Claim, 7 Drawing Sheets**



(56)

**References Cited**

U.S. PATENT DOCUMENTS

D654,960 S \* 2/2012 Bruzzaniti ..... D21/397  
8,359,983 B2 \* 1/2013 Williamson ..... A47B 3/00  
108/115  
9,003,980 B1 \* 4/2015 Chang ..... A47B 3/087  
108/91  
2006/0096506 A1 5/2006 Brauning  
2007/0040483 A1 \* 2/2007 Arkay-Leliever ..... A47B 21/06  
312/194

OTHER PUBLICATIONS

“Mesa Conference,” Jan. 29, 2014, 5 pages.  
Composite Panel Association, “Medium Density Fiberboard (MDF) For Interior Applications,” American National Standard ANSI A208.2-2002, May 13, 2002, 15 pages.  
Green et al., “Mechanical Properties of Wood,” Wood Handbook: Wood as an Engineering Material, Forest Products Laboratory, Madison, WI, USDA, Chpt. 4, 46 pages, 1999.  
Moarcas and Irle, “Determination of Poisson’s ratio for particle-board in pure bending,” Wood Science and Technology, 33(5):439-444, Nov. 1999.  
Schulte and Frühwald, “Shear modulus, internal bond and density profile of medium density fibre board (MDF),” Holz als Roh—und Werkstoff, 54(1):49-55, Jan. 1996.

\* cited by examiner

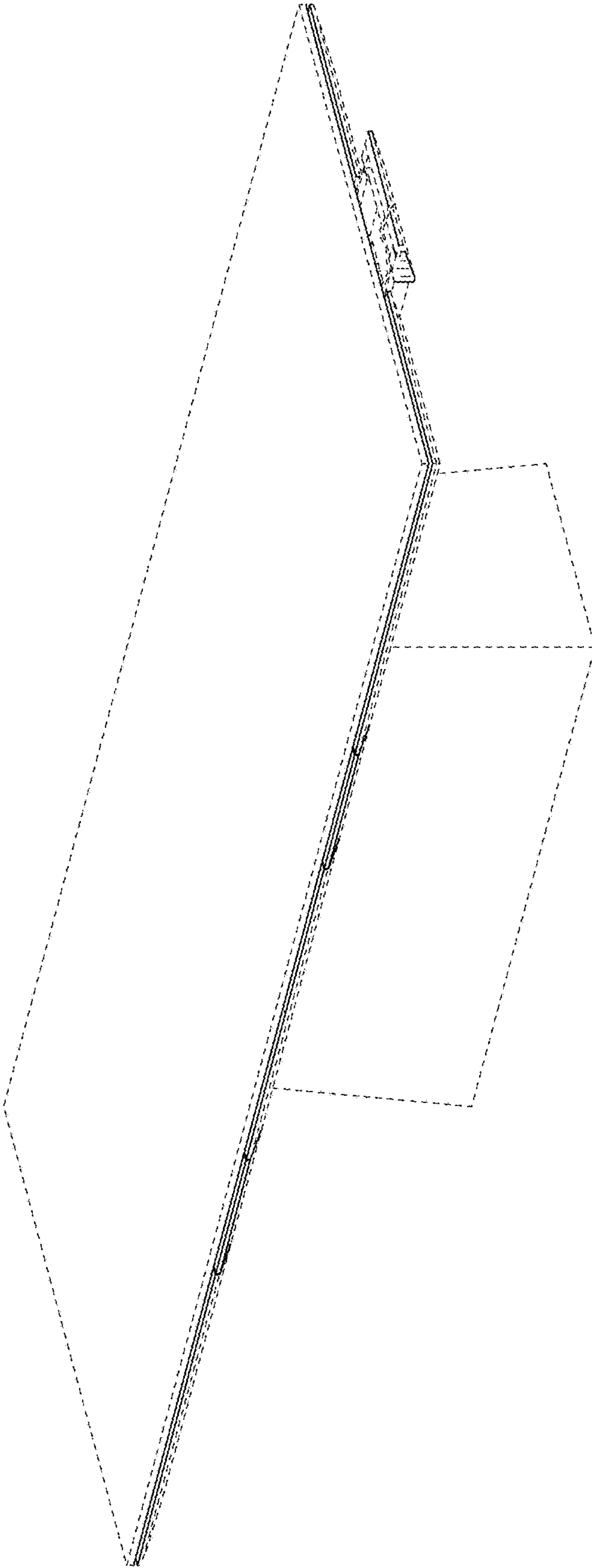


FIG. 1

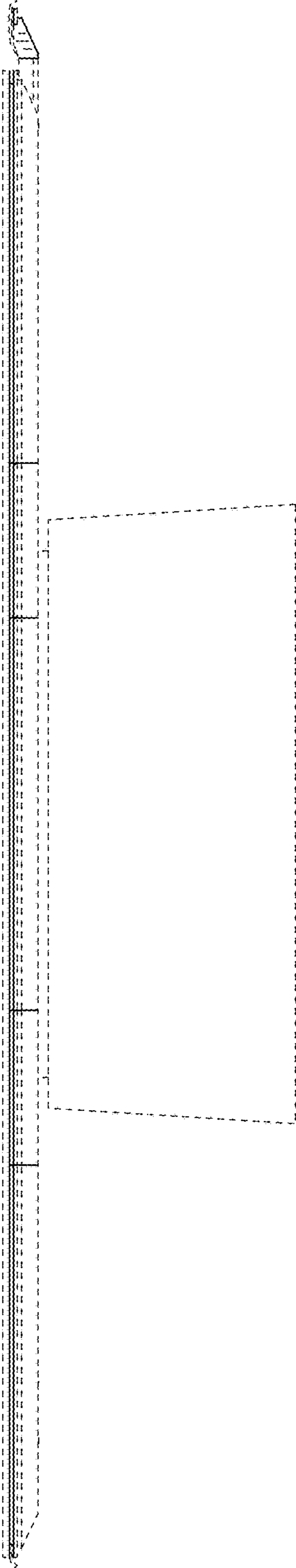


FIG. 2

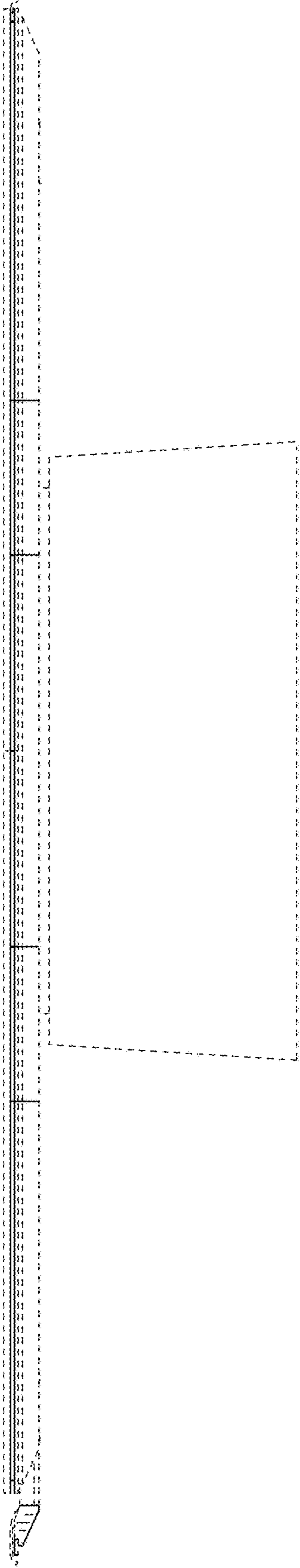


FIG. 3

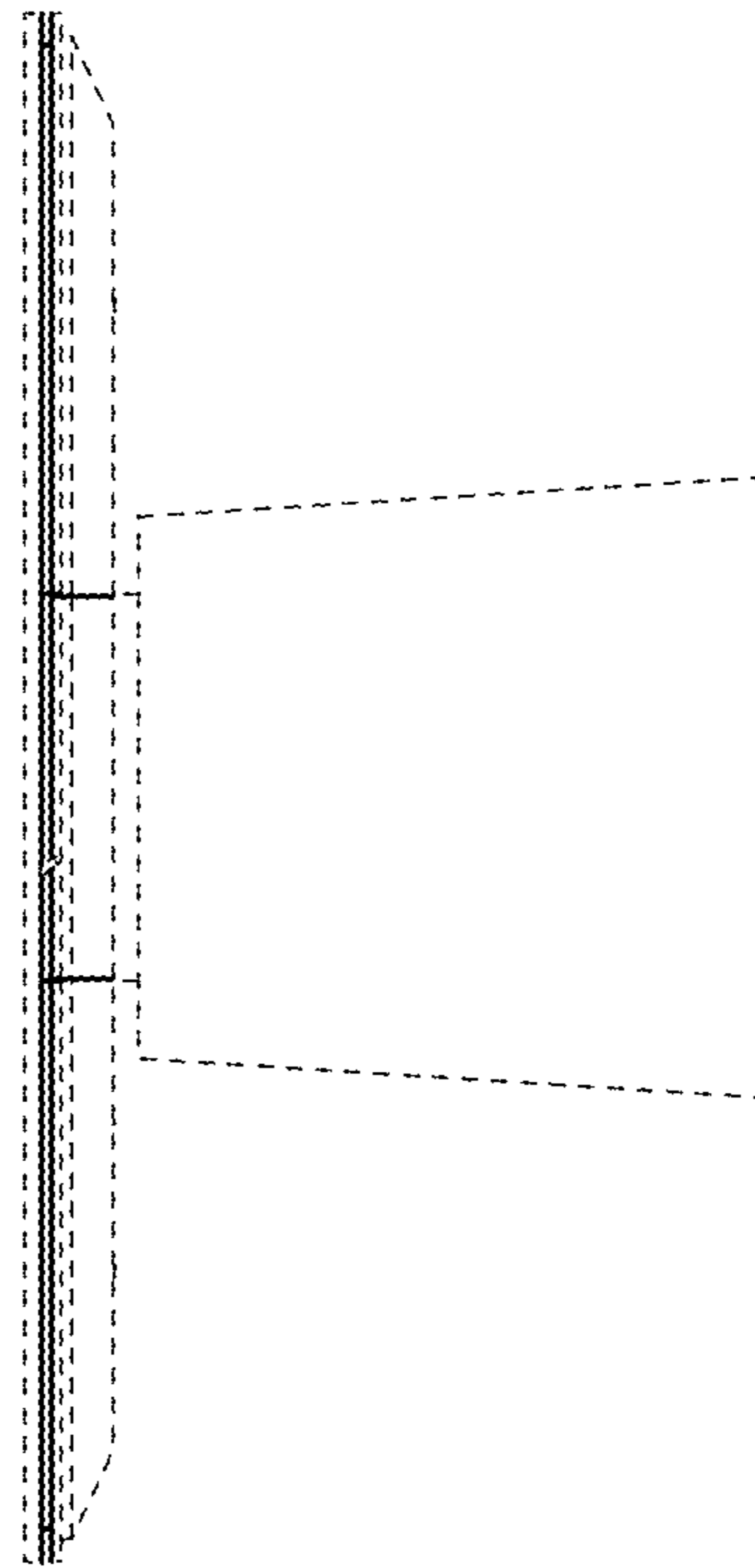


FIG. 4

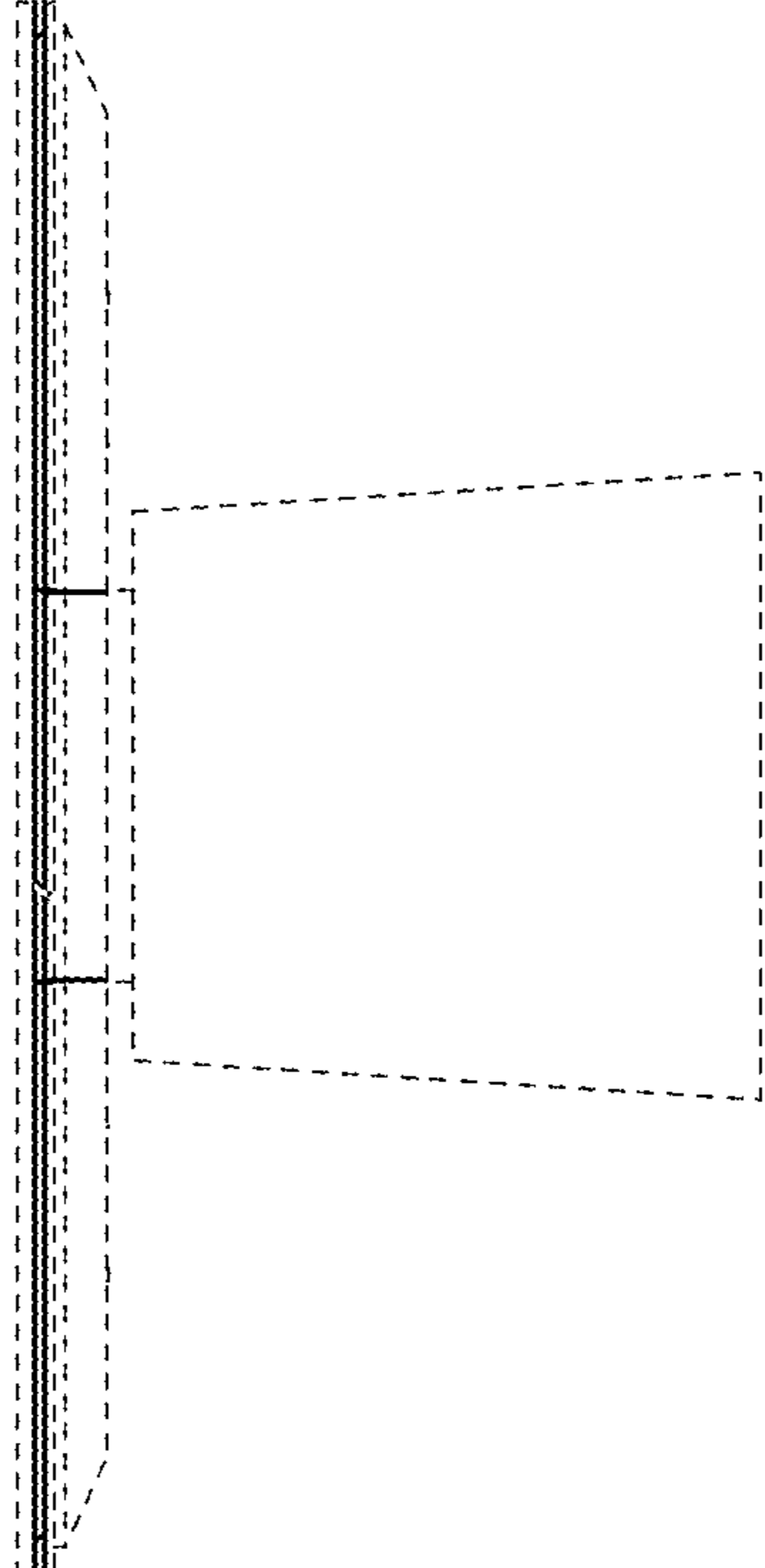


FIG. 5



FIG. 6



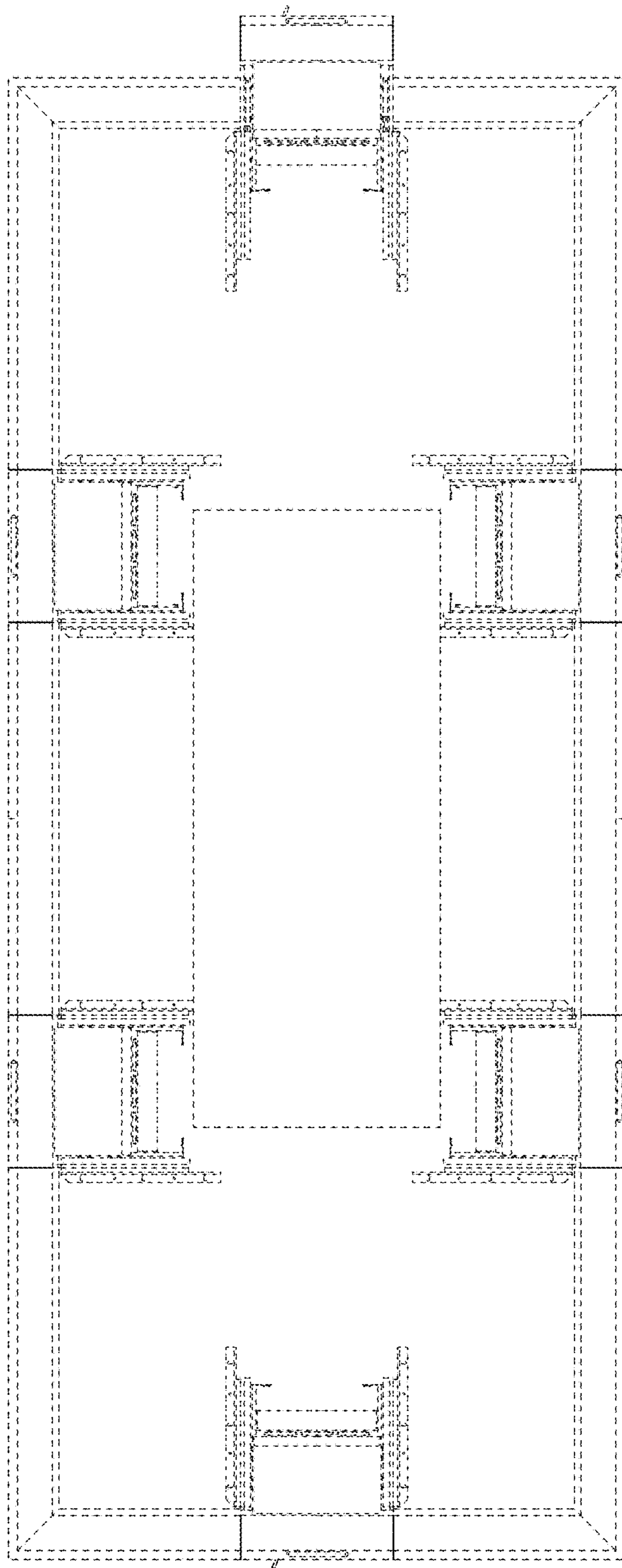


FIG. 7