



US00D799250S

(12) **United States Design Patent** (10) **Patent No.:** **US D799,250 S**
Schwalbach et al. (45) **Date of Patent:** **** *Oct. 10, 2017**

(54) **TABLE**
(71) Applicant: **Apple Inc.**, Cupertino, CA (US)
(72) Inventors: **Charles A. Schwalbach**, Menlo Park, CA (US); **David Samuel Kumka**, San Francisco, CA (US); **Russell John Kaaihue Heirakuji**, Cupertino, CA (US); **Carly Lynn Marasco**, Los Gatos, CA (US); **Frank Craig Thaler**, Santa Cruz, CA (US)

D214,741 S 7/1969 Dean
D218,903 S 10/1970 Chichester
D243,376 S 2/1977 Scott
D243,982 S 4/1977 Carter
D248,351 S 7/1978 Bartholomew
D278,584 S 4/1985 Bromley
D281,208 S * 11/1985 Raftery D6/691
(Continued)

(73) Assignee: **Apple Inc.**, Cupertino, CA (US)
(*) Notice: This patent is subject to a terminal disclaimer.

OTHER PUBLICATIONS
Apple Granted 8 Design Patents for All-New Apple Watch Tables [online]. Patently Apple, Nov. 28, 2015 [retrieved on Aug. 15, 2016]. Retrieved from the Internet:< http://www.patentlyapple.com/patently-apple/2015/11/apple-granted-8-design-patents-for-all-new-apple-watch-tables.html>.
(Continued)

(**) Term: **15 Years**

(21) Appl. No.: **29/586,953**

(22) Filed: **Dec. 8, 2016**

Related U.S. Application Data

(63) Continuation of application No. 29/516,911, filed on Feb. 6, 2015, now Pat. No. Des. 773,868.

(51) **LOC (10) Cl.** **06-03**

(52) **U.S. Cl.**
USPC **D6/691.2; D6/691.8**

(58) **Field of Classification Search**
USPC D6/641, 671, 675, 677, 685, 687, 690, D6/691, 691.1, 691.2, 691.3, 691.4, D6/691.5, 691.9, 693, 695, 695.2, 696, D6/697, 698, 699, 699.2, 703, 707, 708, D6/709, 709.2
CPC A47B 7/00; A47B 13/08; A47B 13/10; A47B 21/00; A47B 2009/006; A47B 11/00

See application file for complete search history.

(56) **References Cited**

U.S. PATENT DOCUMENTS

D132,875 S 6/1942 Cooper
3,003,243 A * 10/1961 Kanzelberger B43L 13/045
269/16

Primary Examiner — Mary Ann Calabrese
Assistant Examiner — Sloan Rozin
(74) *Attorney, Agent, or Firm* — Sterne, Kessler, Goldstein & Fox P.L.L.C.

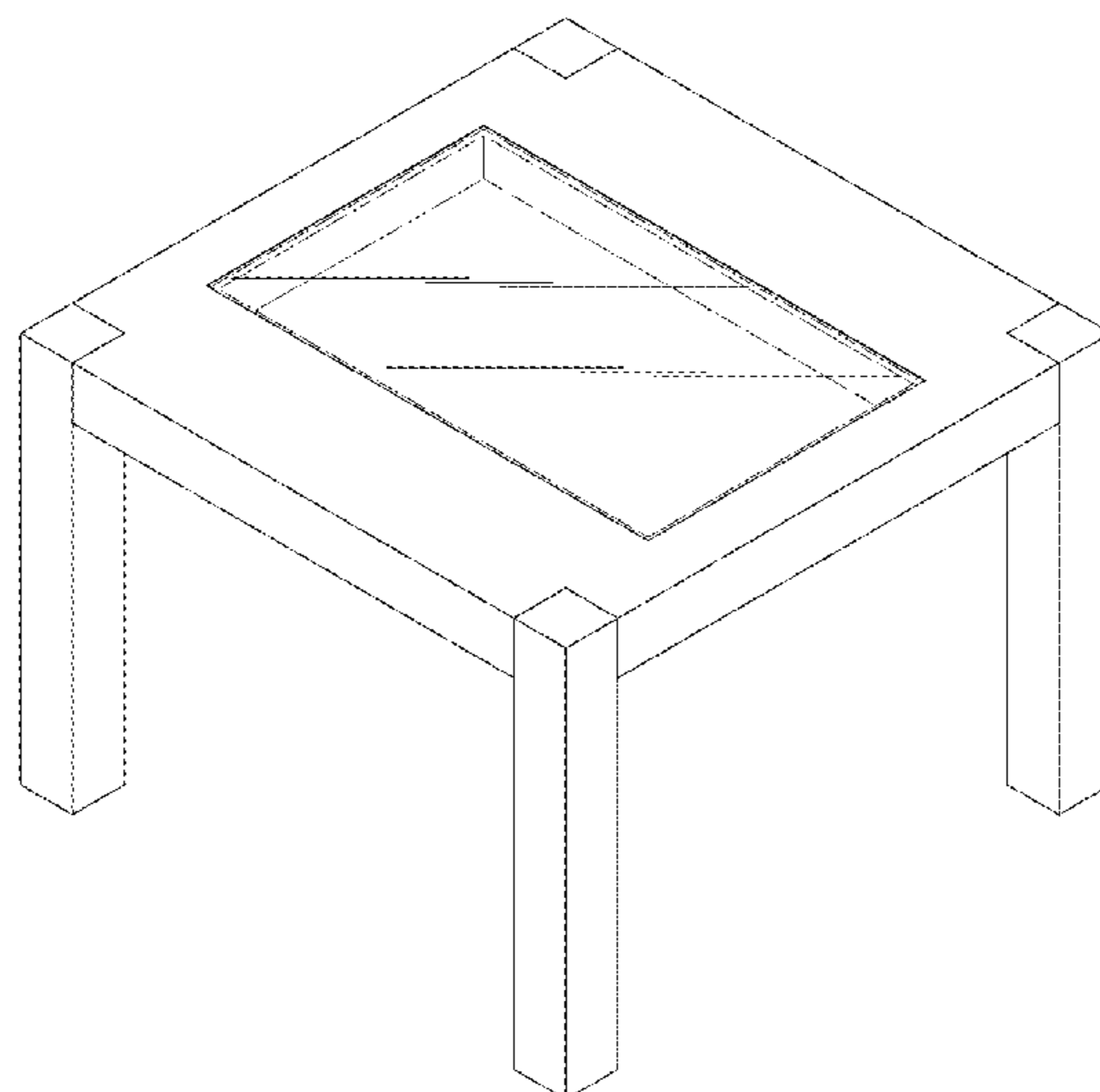
(57) **CLAIM**

The ornamental design for a table, as shown and described.

DESCRIPTION

FIG. 1 is a top front perspective view of a table showing the claimed design;
FIG. 2 is a front view thereof;
FIG. 3 is a rear view thereof;
FIG. 4 is a right side view thereof;
FIG. 5 is a left side view thereof;
FIG. 6 is a top view thereof; and,
FIG. 7 is a bottom view thereof.
The oblique shade lines in the Figures show transparency or translucency.

1 Claim, 4 Drawing Sheets



(56)

References Cited

U.S. PATENT DOCUMENTS

D299,893 S 2/1989 Diehl
 D300,889 S 5/1989 Bartlett
 D322,371 S * 12/1991 Rosen D6/691
 D350,661 S * 9/1994 Klein D6/691
 D484,717 S 1/2004 de Blois
 D487,655 S 3/2004 Varsi
 D522,274 S 6/2006 Coval
 D558,489 S 1/2008 Christensen
 D583,590 S 12/2008 Ellouz
 D591,079 S 4/2009 Singler et al.
 D591,979 S 5/2009 Singler et al.
 D646,507 S 10/2011 Delmestri
 D649,381 S 11/2011 Mainzer
 D657,978 S 4/2012 Hamm et al.
 D674,625 S * 1/2013 Mecherle D6/691
 D678,696 S 3/2013 Hamm et al.
 D679,521 S 4/2013 Hamm et al.
 D683,161 S 5/2013 Polloni
 D684,413 S 6/2013 Schmitt
 D688,494 S 8/2013 Hamm et al.
 D689,307 S 9/2013 Burt
 D693,156 S 11/2013 Hamm et al.
 D713,658 S * 9/2014 Tio D6/675
 D717,572 S 11/2014 Morrison
 D725,947 S 4/2015 Tio et al.
 D728,281 S 5/2015 Heirakuji et al.
 D729,560 S 5/2015 Hamm et al.
 D734,078 S 7/2015 Bougay
 D734,965 S 7/2015 Tio et al.
 D746,616 S * 1/2016 Akana D6/675
 D753,419 S * 4/2016 Heirakuji D6/675
 D757,464 S 5/2016 Chiang

D758,106 S 6/2016 Hamm et al.
 D766,630 S 9/2016 Akana et al.
 D766,631 S 9/2016 Akana et al.
 D766,632 S 9/2016 Akana et al.
 D766,633 S 9/2016 Akana et al.
 D767,310 S 9/2016 Akana et al.
 D769,654 S * 10/2016 Akana D6/691
 D773,868 S * 12/2016 Schwalbach D6/691.2
 D779,244 S * 2/2017 Akana D6/688.22
 2009/0095204 A1 * 4/2009 Levy A47B 7/02
 108/17
 2010/0290215 A1 * 11/2010 Metcalf A47B 21/00
 362/127
 2014/0124641 A1 * 5/2014 Kassanoff A47B 17/04
 248/447
 2015/0150370 A1 * 6/2015 Korb A47B 13/06
 108/155

OTHER PUBLICATIONS

Neil Hughes, "Apple retail stores bulging at the seams' at 8400 average square feet," Appleinsider.com, dated May 8, 2012, accessed at <http://appleinsider.com/articles/12/05/08/apple_retail_stores_bulging_at_the_seams_at_8400_average_square_feet>, accessed on Oct. 20, 2014, 2 pages.
 Valentina Palladino, "Apple Store Receives Trademark for 'Distinctive Design and Layout,'" Wired.com, dated Jan. 30, 2013, accessed at <<http://www.wired.com/2013/01/apple-store-trademark/>>, accessed on Oct. 10, 2014, 2 pages.
 U.S. Appl. No. 14/274,418, filed May 9, 2014; Mandon et al.
 U.S. Appl. No. 29/522,911, filed Apr. 3, 2015; Mandon et al.

* cited by examiner

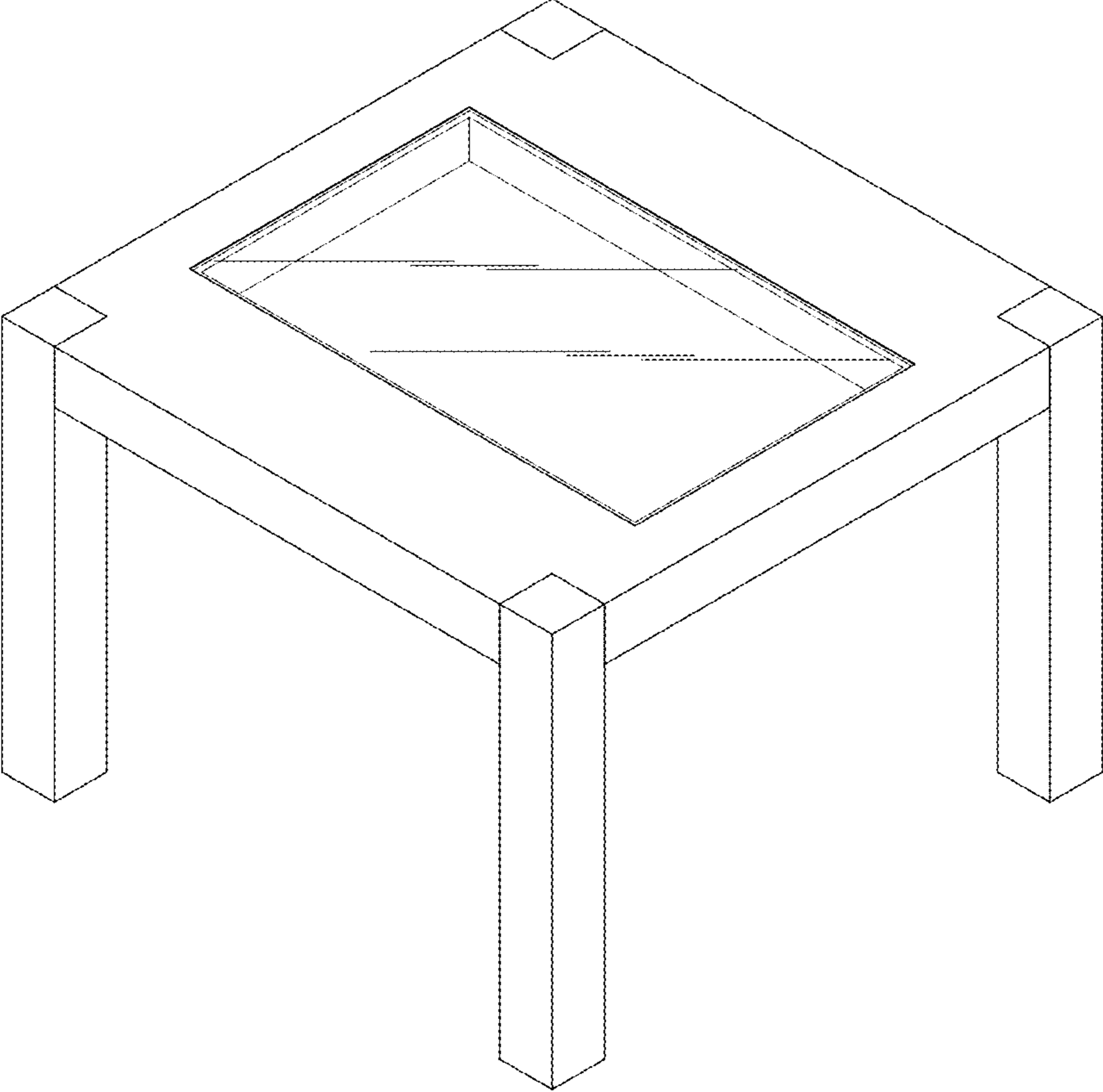


FIG. 1



FIG. 2

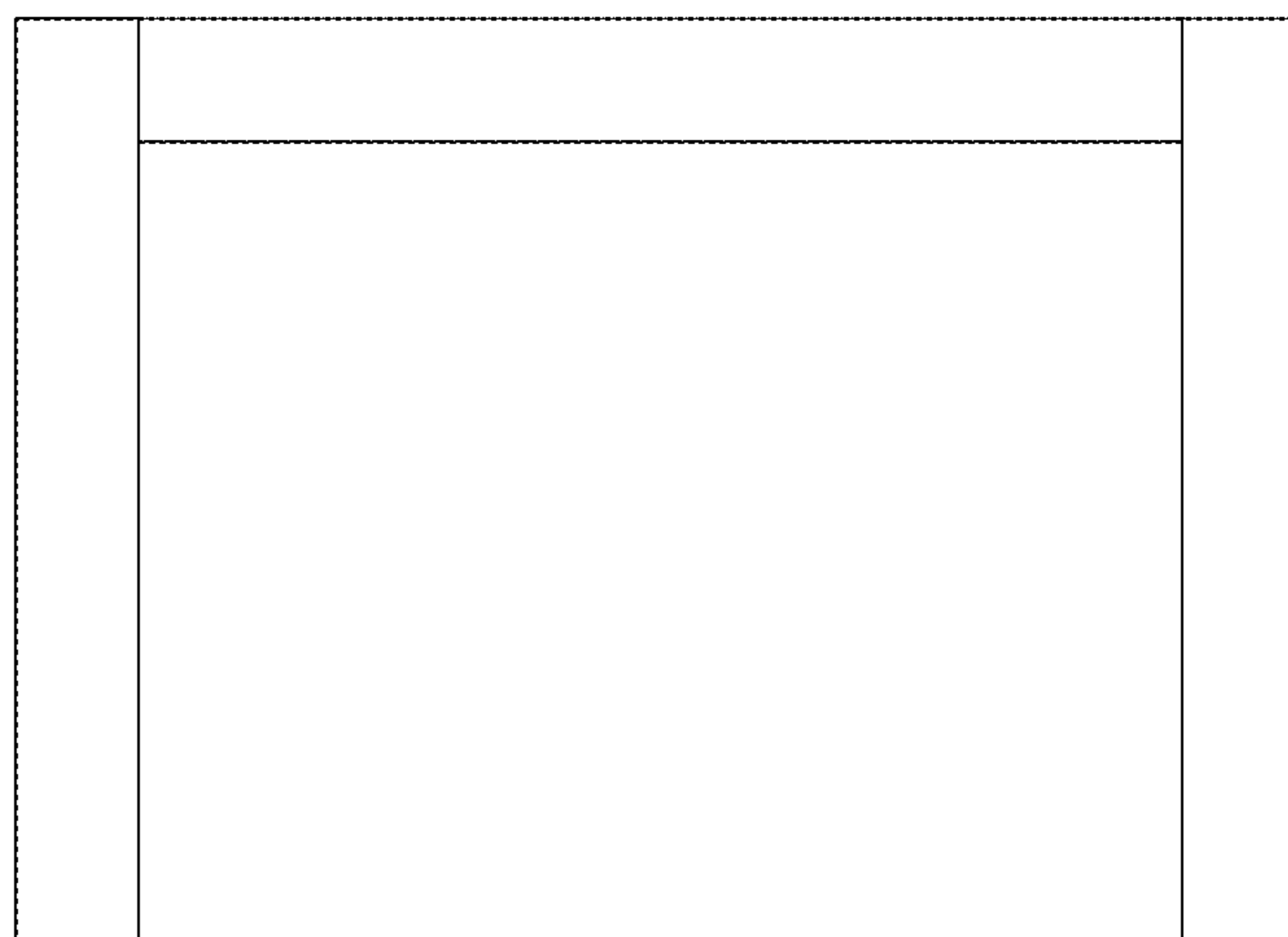


FIG. 3



FIG. 4



FIG. 5

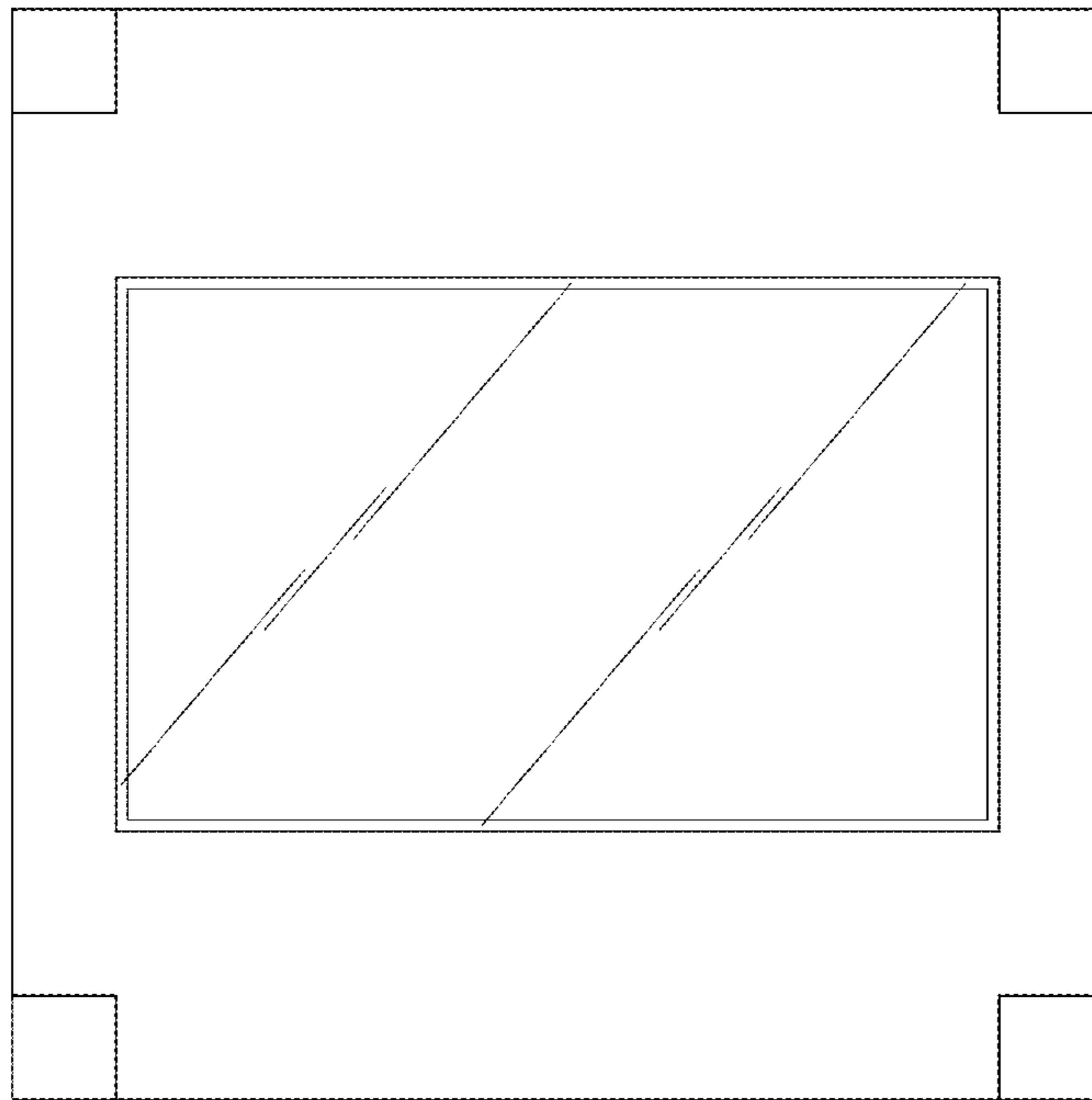


FIG. 6

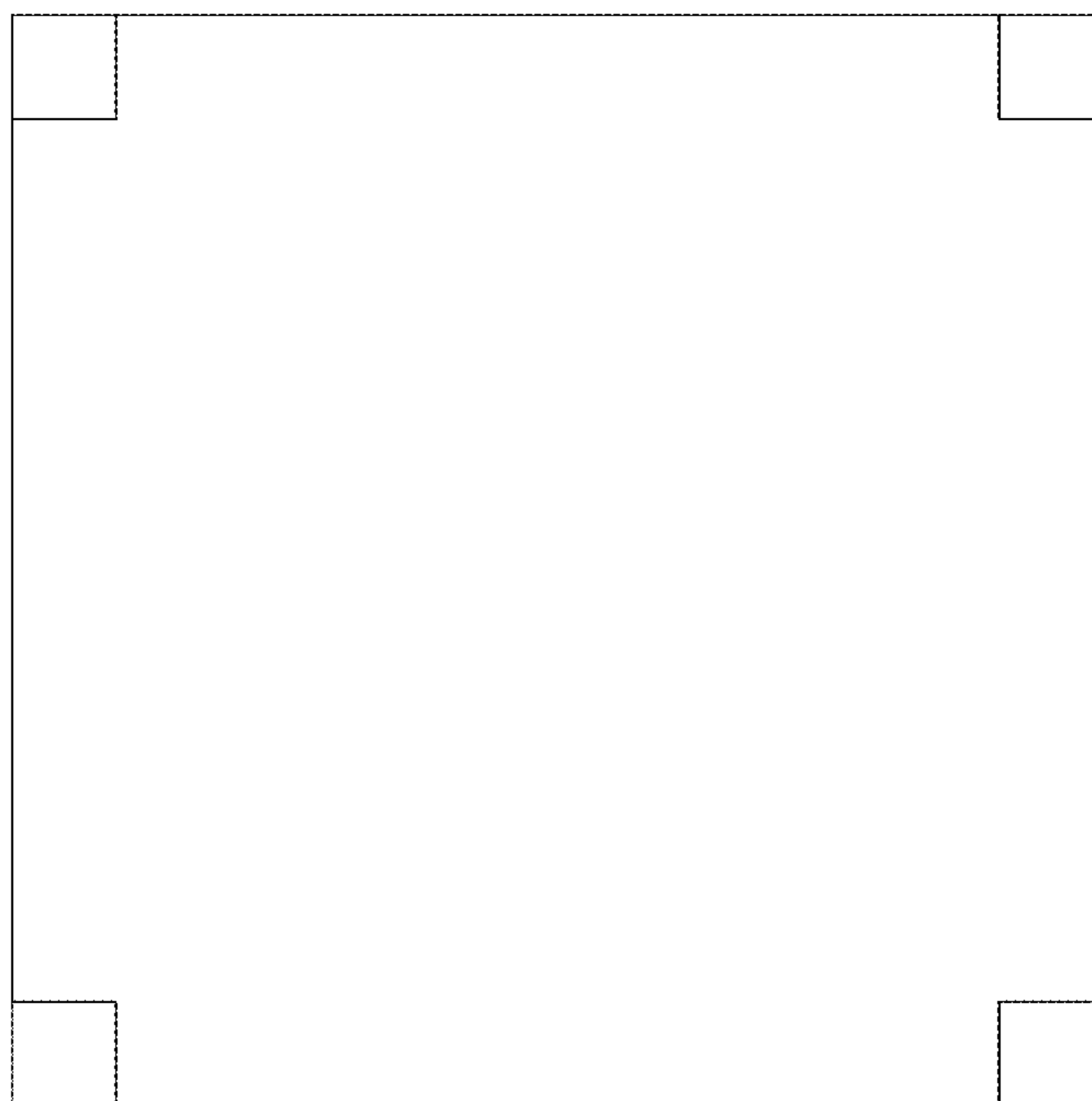


FIG. 7