



US00D799246S

(12) **United States Design Patent** (10) **Patent No.:** **US D799,246 S**
Carlburg (45) **Date of Patent:** **** Oct. 10, 2017**

(54) **POTTER’S WHEEL STAND**
(71) Applicant: **Carlburg Pottery, LLC**, Columbia Falls, MT (US)
(72) Inventor: **Tim Carlburg**, Columbia Falls, MT (US)
(73) Assignee: **Carlburg Pottery, LLC**, Columbia Falls, MT (US)

D289,471 S * 4/1987 Sottsass D6/332
D493,474 S * 7/2004 Oakes D15/130
7,195,474 B1 3/2007 Summers
D730,086 S * 5/2015 Kitada D6/643
D731,601 S * 6/2015 Bradley D21/686
D772,838 S * 11/2016 Tooker D14/173
D776,956 S * 1/2017 Ma D6/552
2005/0062369 A1 * 3/2005 Mizuno A47B 21/00
312/196
2011/0303127 A1 * 12/2011 Fryshman A47B 83/001
108/50.11

(**) Term: **15 Years**

* cited by examiner

(21) Appl. No.: **29/555,777**

Primary Examiner — Kelley Donnelly

(22) Filed: **Feb. 24, 2016**

(74) Attorney, Agent, or Firm — Seed IP Law Group LLP

(51) **LOC (10) Cl.** **06-06**

(57) **CLAIM**

(52) **U.S. Cl.**
USPC **D6/675**

The ornamental design for a potter’s wheel stand, as shown and described.

(58) **Field of Classification Search**
USPC D6/51, 672–67, 675, 682.1, 683, 684;
D15/125, 126, 130, 140, 135; D19/109
CPC .. A47F 1/00; A47F 7/0057; A47F 5/10; A47F
5/0081; A47F 7/00; B28B 1/025
See application file for complete search history.

DESCRIPTION

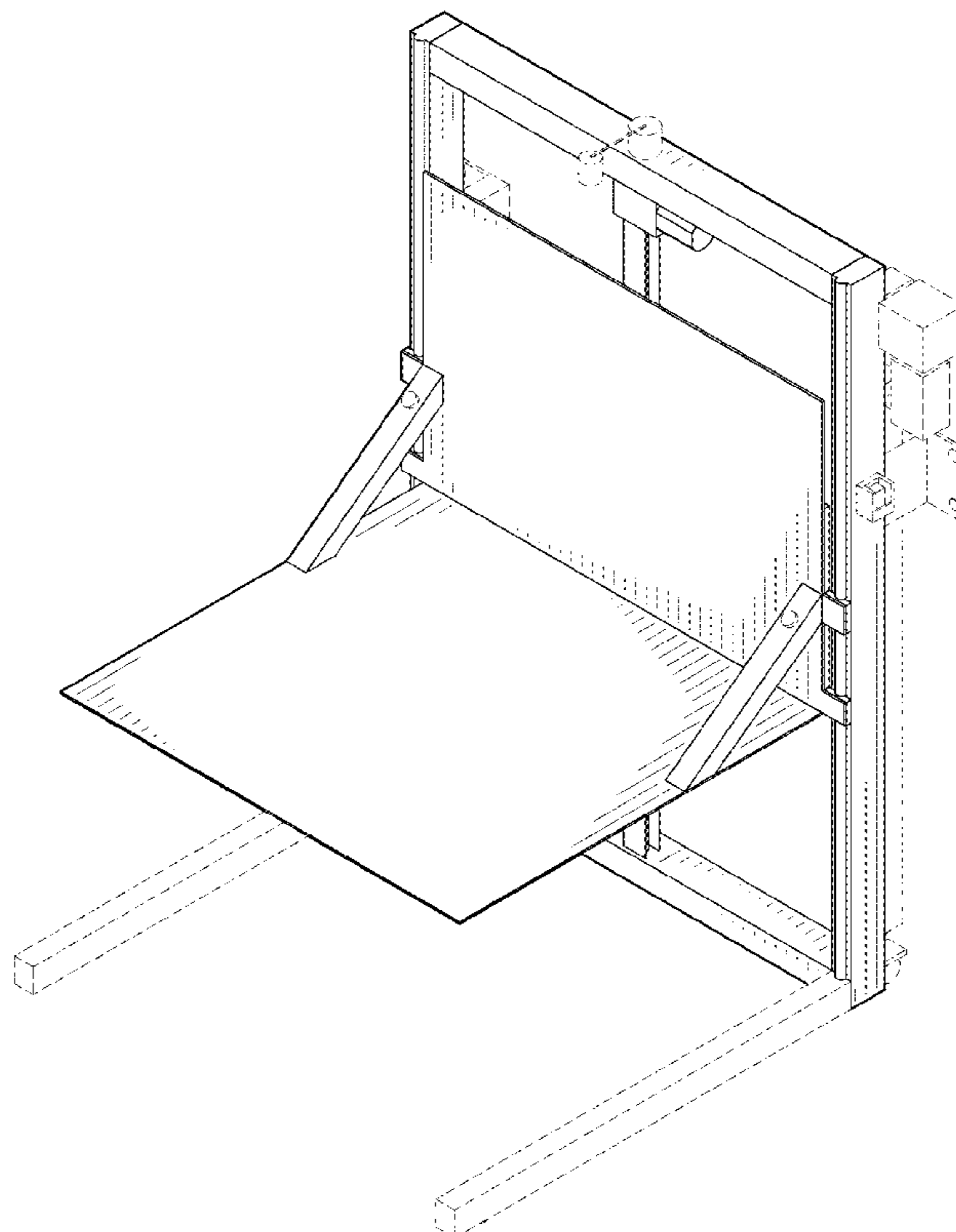
(56) **References Cited**

U.S. PATENT DOCUMENTS

D243,276 S * 2/1977 Soldner D15/130
D253,828 S * 1/1980 Soldner D15/130
D288,509 S * 3/1987 van de Oudeweetering . D6/682

FIG. 1 is an oblique view of a potter’s wheel stand showing my new design.
FIG. 2 is a front view thereof.
FIG. 3 is a right side view thereof.
FIG. 4 is a top view thereof.
FIG. 5 is a rear view thereof.
FIG. 6 is a left side view thereof; and,
FIG. 7 is a bottom view thereof.
The broken lines in the figures are for illustrative purposes only and form no part of the claimed design.

1 Claim, 7 Drawing Sheets



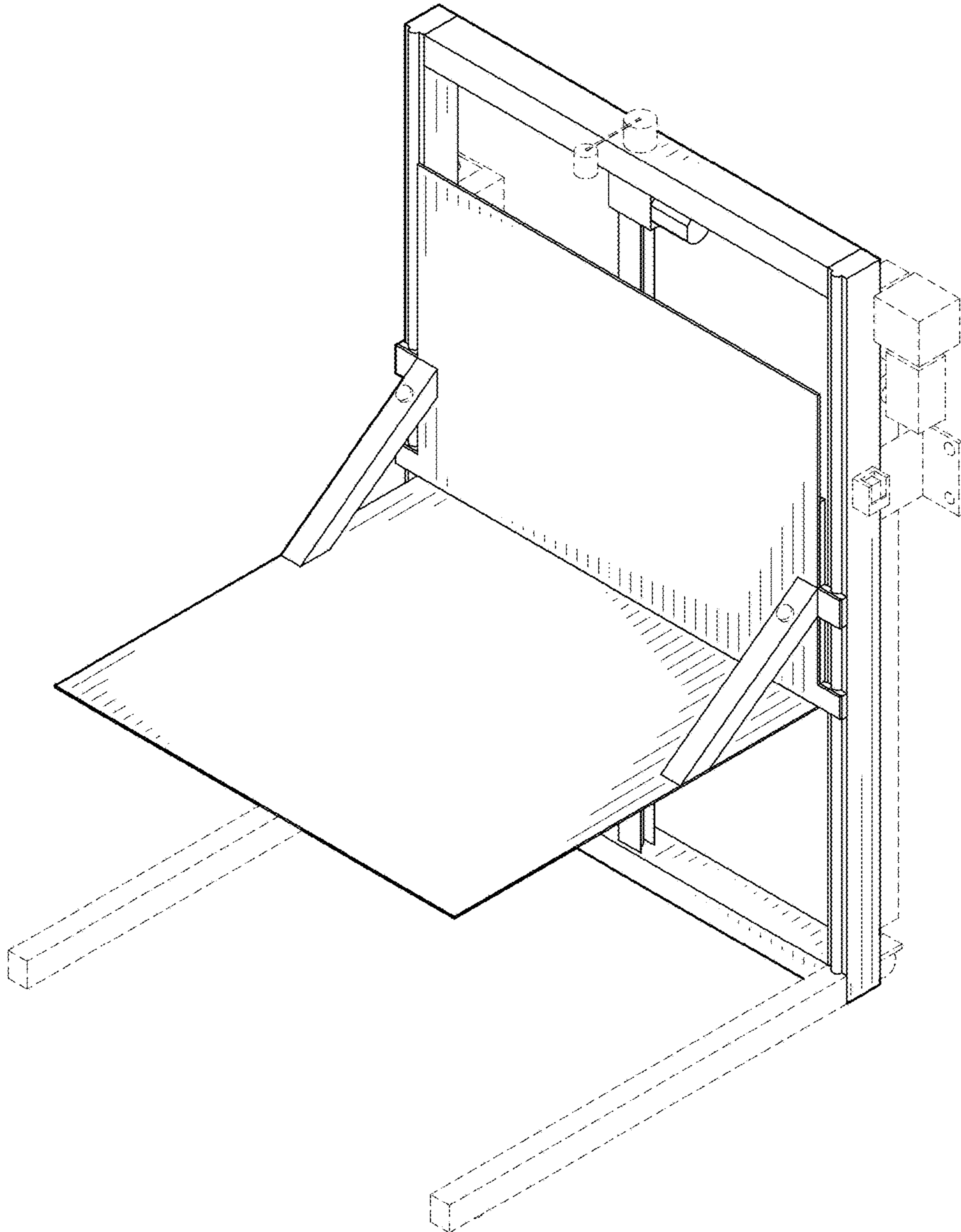


FIG.1

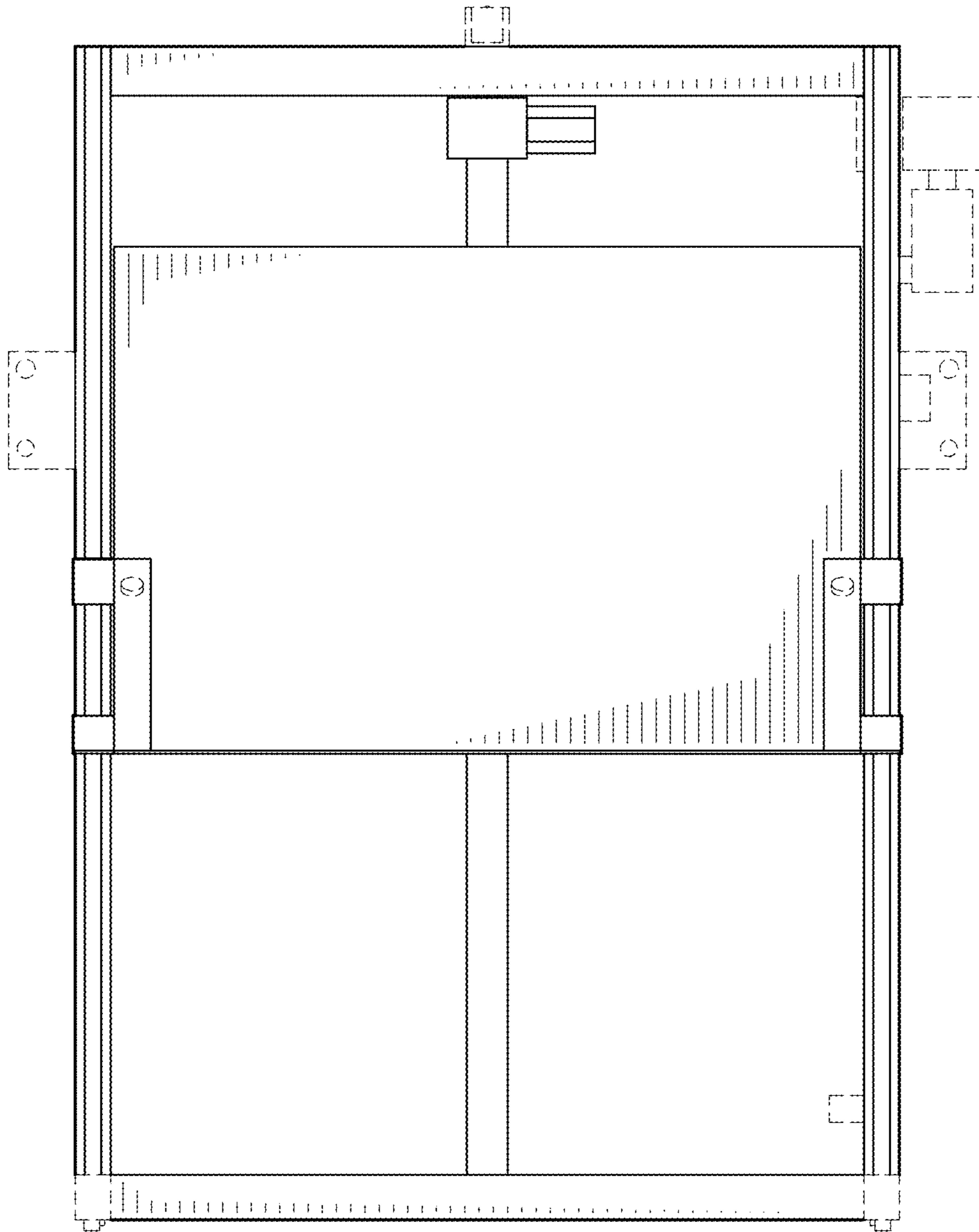


FIG. 2

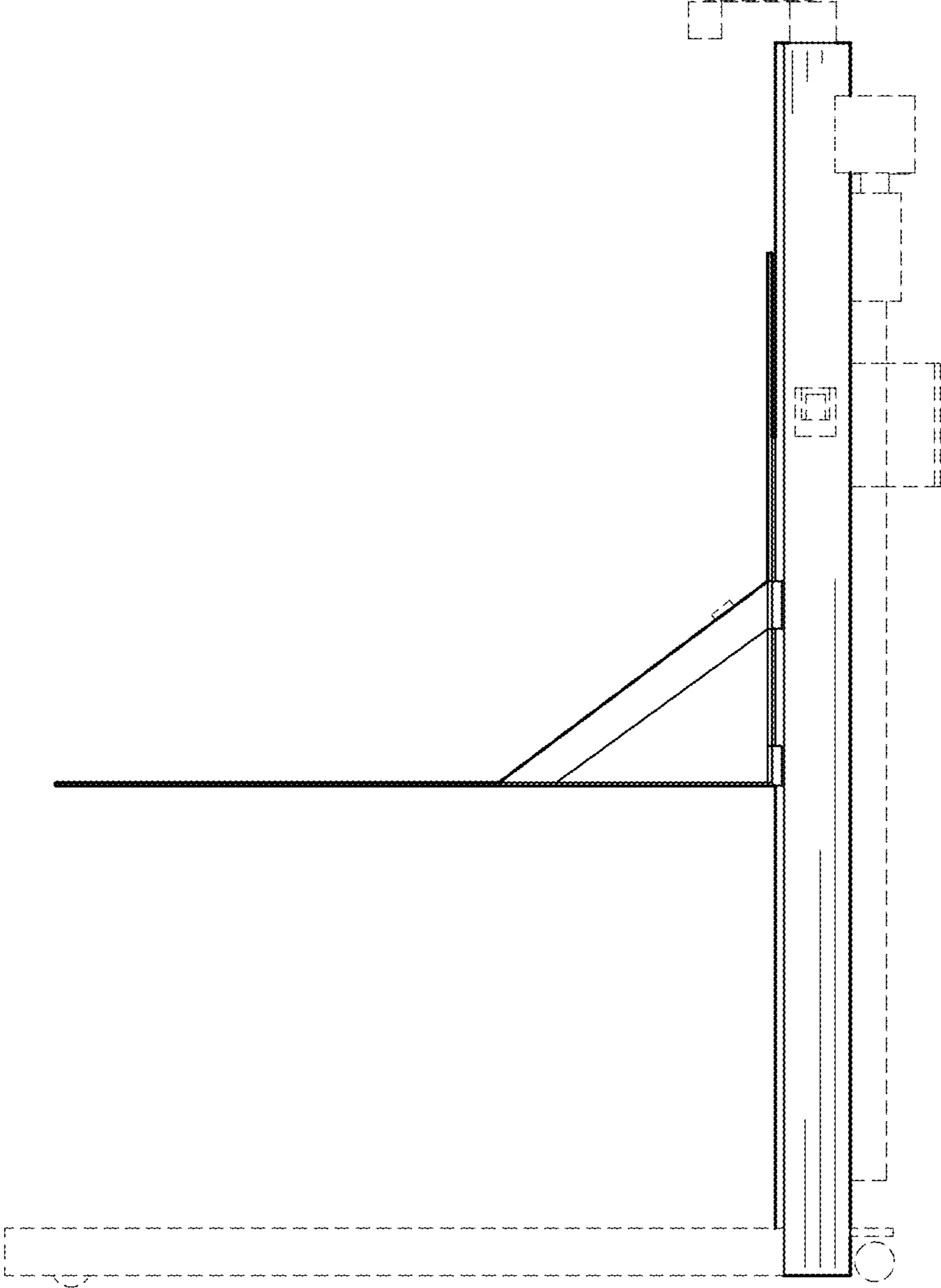


FIG. 3

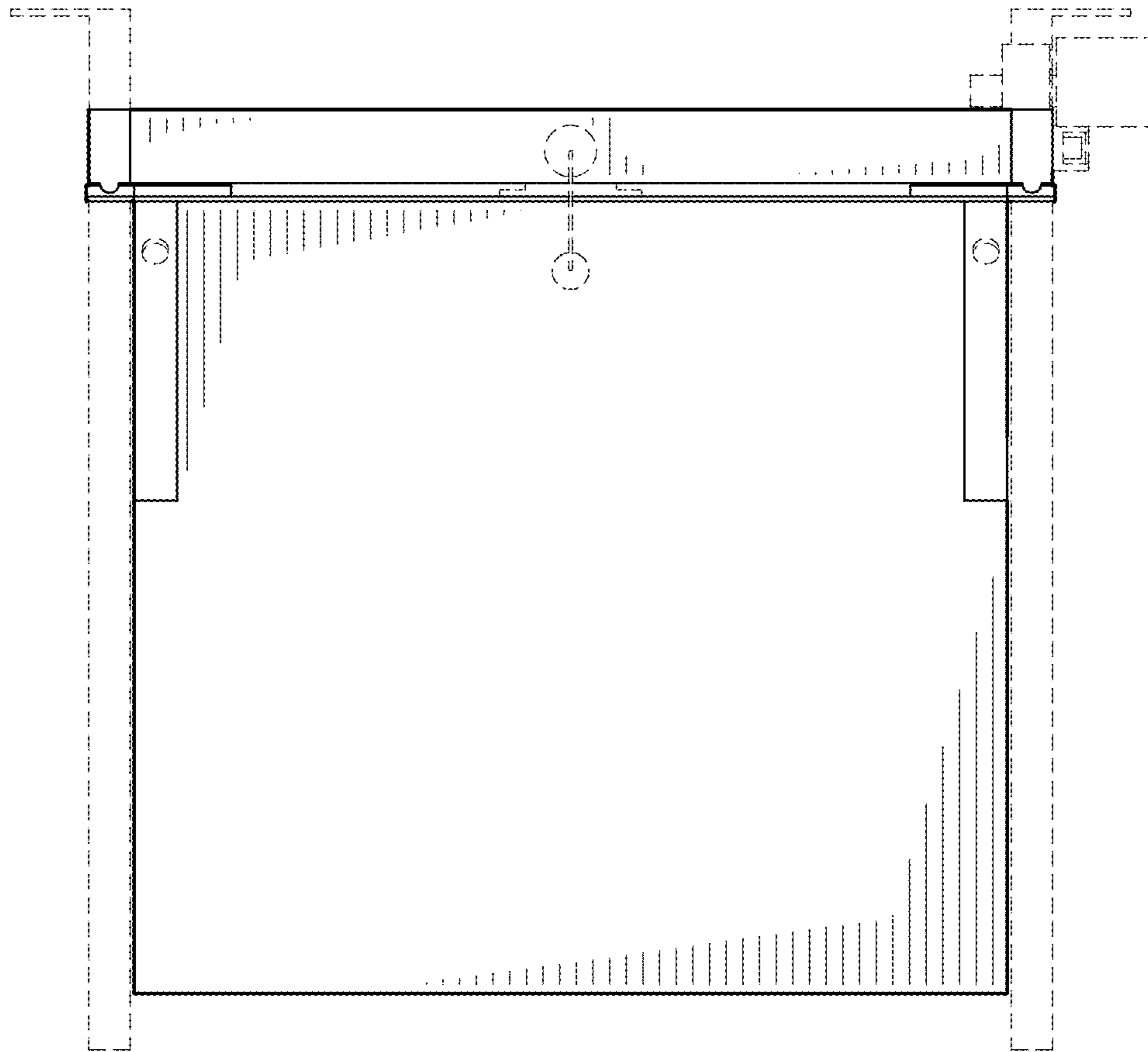


FIG.4

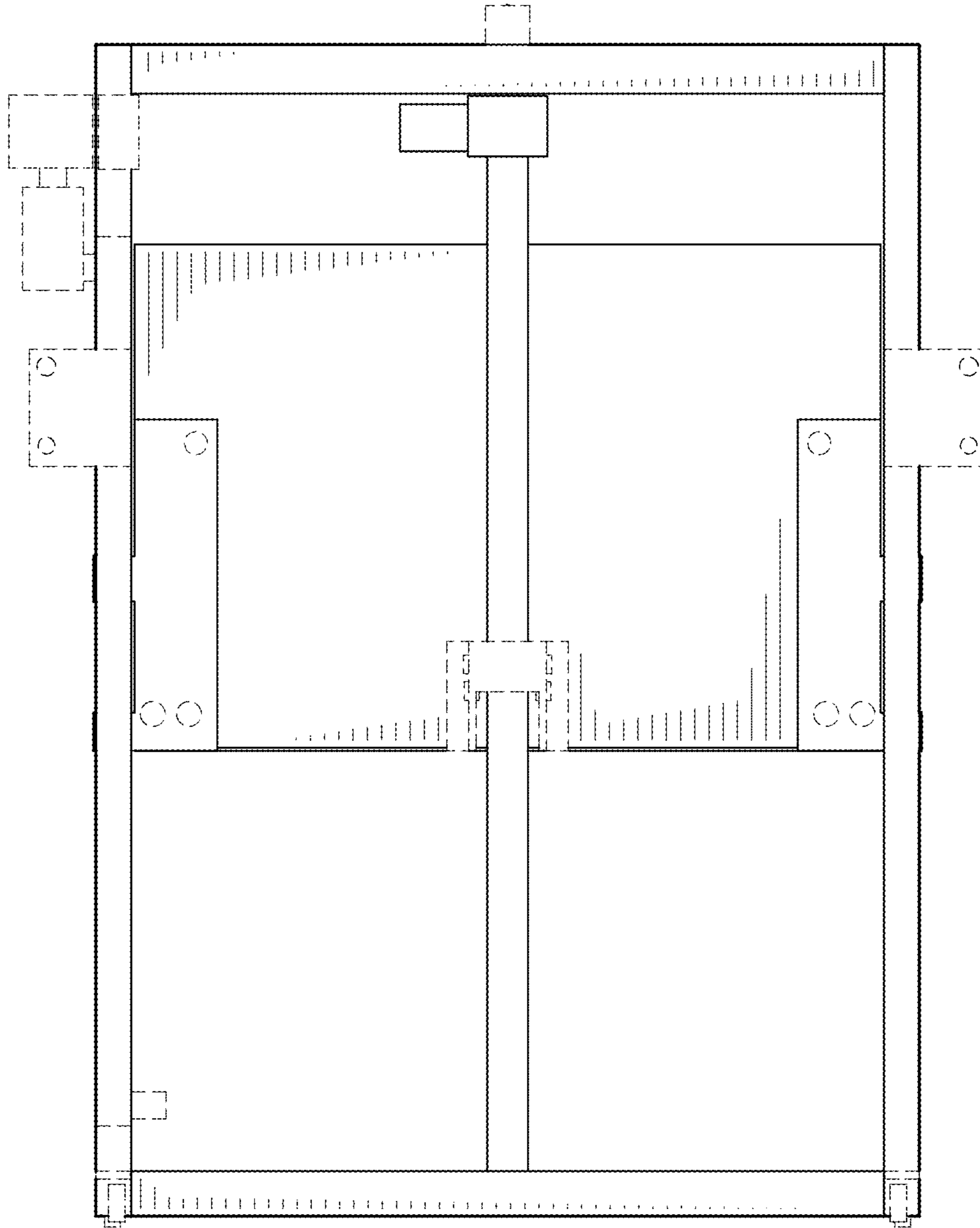


FIG. 5

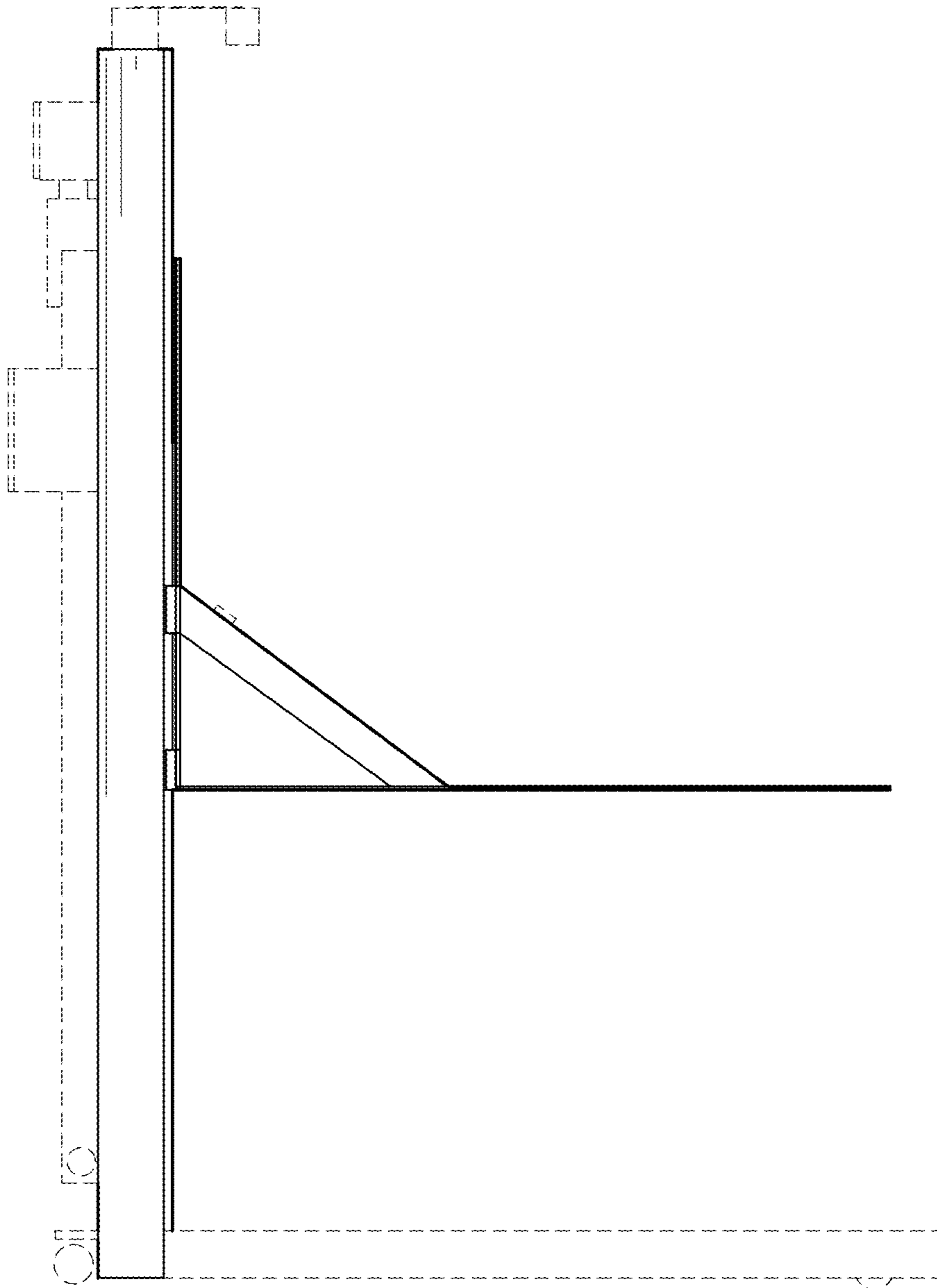


FIG. 6

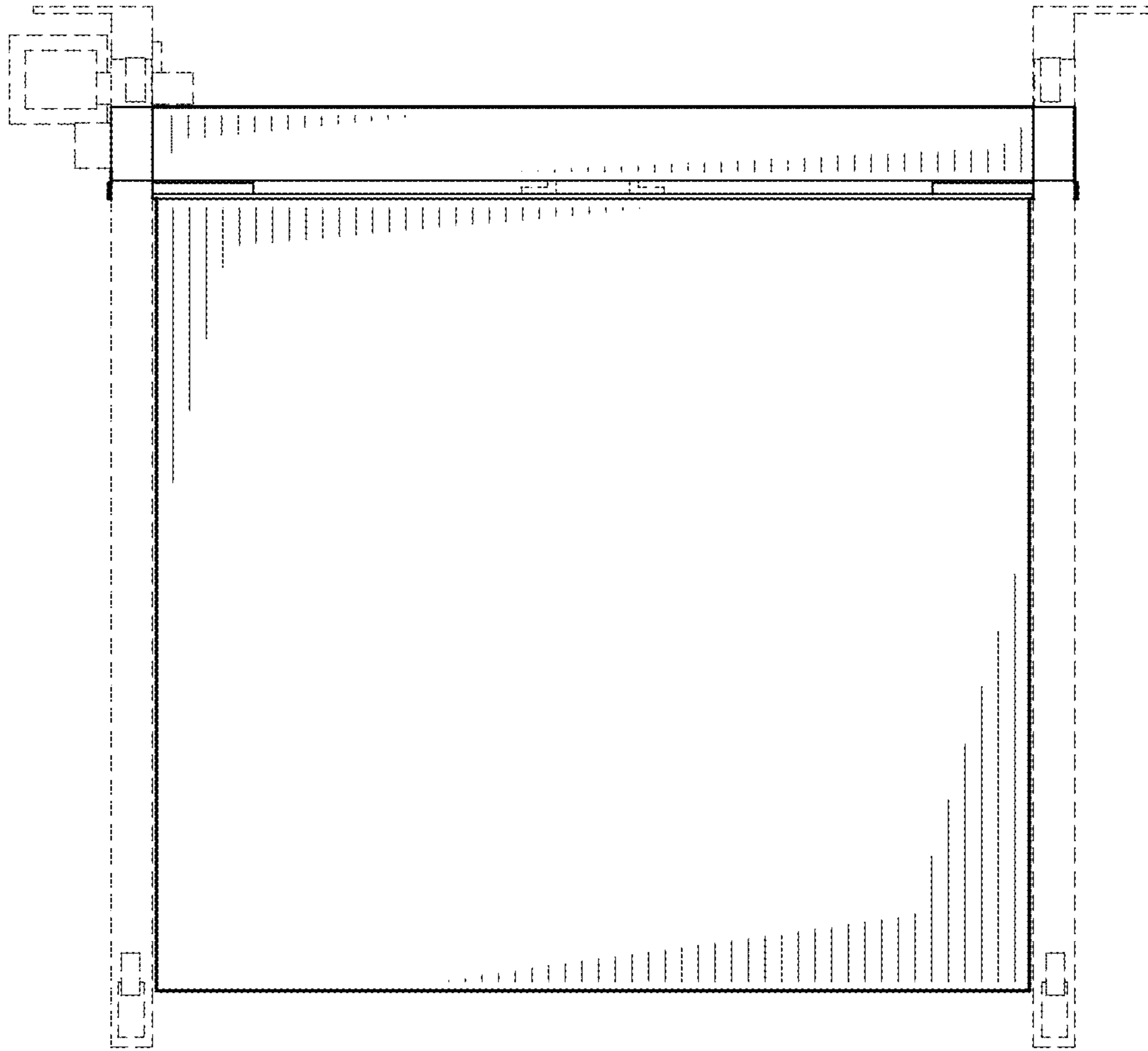


FIG. 7