



US00D799245S

(12) **United States Design Patent** (10) **Patent No.:** **US D799,245 S**  
**Bezborordko** (45) **Date of Patent:** **\*\* Oct. 10, 2017**

(54) **COMBINATION ARMOIRE** 4,477,130 A \* 10/1984 Frantz ..... E05C 19/001  
16/388  
(71) Applicant: **Mirrotek International, LLC**, Passaic, NJ (US) D516,834 S \* 3/2006 Masseth, Jr. .... D6/663  
D528,840 S \* 9/2006 Greiner ..... D6/559  
7,651,178 B2 \* 1/2010 Greiner ..... A47B 67/02  
248/140  
(72) Inventor: **Boaz Bezborordko**, Suffern, NY (US) D684,128 S \* 6/2013 Krietzman ..... D13/184  
D707,989 S \* 7/2014 Bezborodko ..... D6/663  
(73) Assignee: **MIRROTEK INTERNATIONAL, LLC**, Passaic, NJ (US) D707,990 S \* 7/2014 Bezborodko ..... D6/663  
D712,686 S \* 9/2014 Day ..... D6/663  
(Continued)

(\*\*) Term: **15 Years**

(21) Appl. No.: **29/555,113**

(22) Filed: **Feb. 18, 2016**

(51) **LOC (10) Cl.** ..... **06-04**

(52) **U.S. Cl.**  
USPC ..... **D6/663**

(58) **Field of Classification Search**  
USPC ..... D6/663, 559-561, 699, 334-336, 349,  
D6/351, 352, 358, 360, 364, 365, 366,  
D6/374, 375, 379, 380, 611, 657, 662.1,  
D6/672, 674, 675, 675.1, 675.3, 683,  
D6/683.1, 685, 691, 691.5, 702, 708,  
D6/708.2, 708.21, 708.25, 716,  
D6/716.1-716.4; D3/304, 307, 309;  
D7/333; D23/286, 343; D24/227-230;  
D25/48.4, 113, 163  
CPC ..... A47B 81/005; A47B 81/00; A47B 67/02;  
A47B 77/02; A47B 47/05; A47B 87/005;  
A47B 96/16; A47G 1/12; A47G 1/00;  
A47G 29/12; B42F 17/00; G09F 1/12;  
A47F 3/002; A47F 5/08; A45C 11/16;  
B60N 2/60; B60N 2/2881; B60N 2/6018;  
B60N 2/6036; E05C 19/001  
See application file for complete search history.

(56) **References Cited**

**U.S. PATENT DOCUMENTS**

1,980,730 A \* 11/1934 Matchette ..... A47B 96/16  
211/119.004  
RE31,409 E \* 10/1983 Crist ..... A47G 29/12  
211/87.01

**OTHER PUBLICATIONS**

“Mirrotek Over The Door Combination Jewelry and Makeup Armoire, White” May 7, 2015, amazon.com, site visited Mar. 22, 2017 <[https://www.amazon.com/Mirrotek-Combination-Jewelry-Makeup-Armoire/dp/B00TNTJ8YS/ref=cm\\_cr\\_ar\\_p\\_d\\_product\\_top?ie=UTF8](https://www.amazon.com/Mirrotek-Combination-Jewelry-Makeup-Armoire/dp/B00TNTJ8YS/ref=cm_cr_ar_p_d_product_top?ie=UTF8)>.\*

*Primary Examiner* — Kevin Rudzinski  
*Assistant Examiner* — Paul Bohannon  
(74) *Attorney, Agent, or Firm* — Donald J. Ranft; Collen

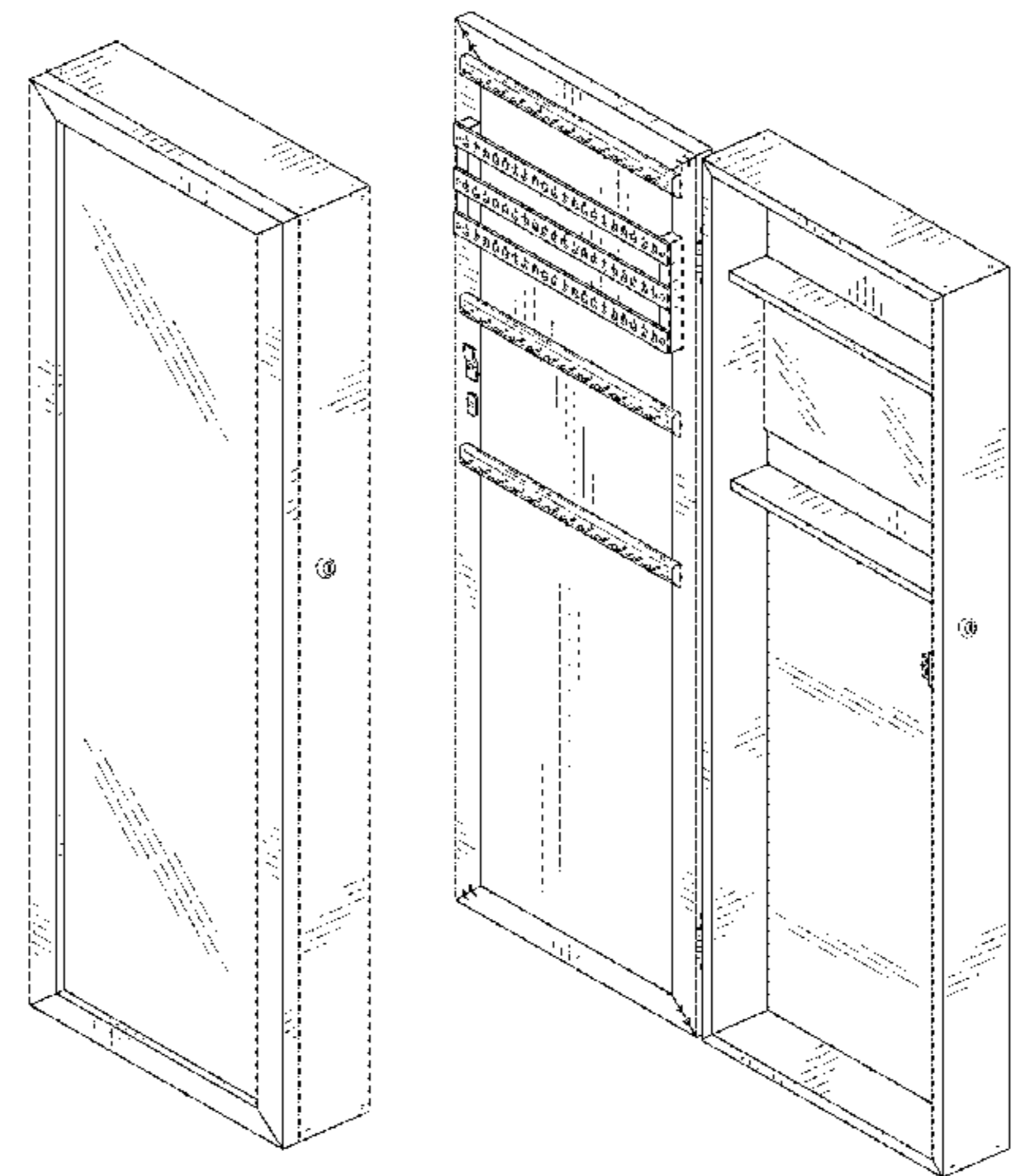
(57) **CLAIM**

The ornamental design for a combination armoire, as shown and described.

**DESCRIPTION**

FIG. 1 is a closed front right perspective view of a combination armoire showing my new design;  
FIG. 2 is an open front right perspective view thereof;  
FIG. 3 is an open front left perspective view thereof;  
FIG. 4 is an open front view thereof;  
FIG. 5 is an open rear view thereof;  
FIG. 6 is an open top view thereof;  
FIG. 7 is an open bottom view thereof;  
FIG. 8 is an open left side view thereof; and,  
FIG. 9 is an open right side view thereof.  
The broken line showing of a combination armoire is included for the purpose of illustrating portions of the article that form no part of the claimed design.

**1 Claim, 7 Drawing Sheets**



(56)

**References Cited**

U.S. PATENT DOCUMENTS

D728,977 S \* 5/2015 Wittenberg ..... A47G 1/00  
D6/663  
D743,358 S \* 11/2015 Cagliani ..... D13/184  
2005/0093405 A1\* 5/2005 Greiner ..... A47B 67/02  
312/321.5

\* cited by examiner

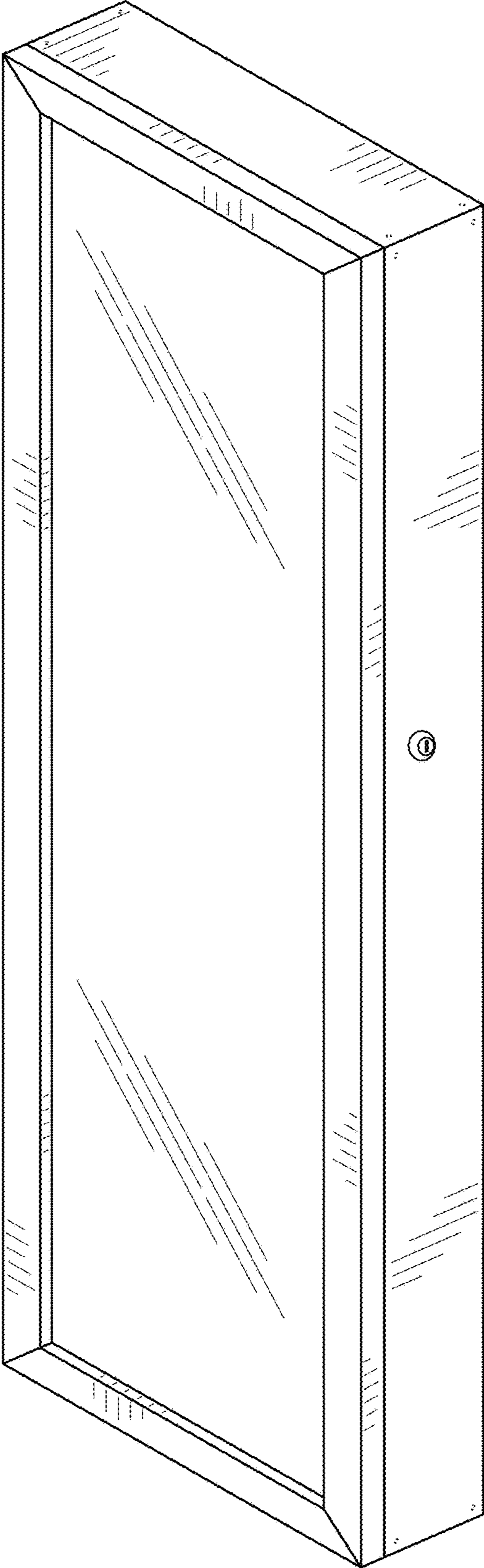


FIG. 1

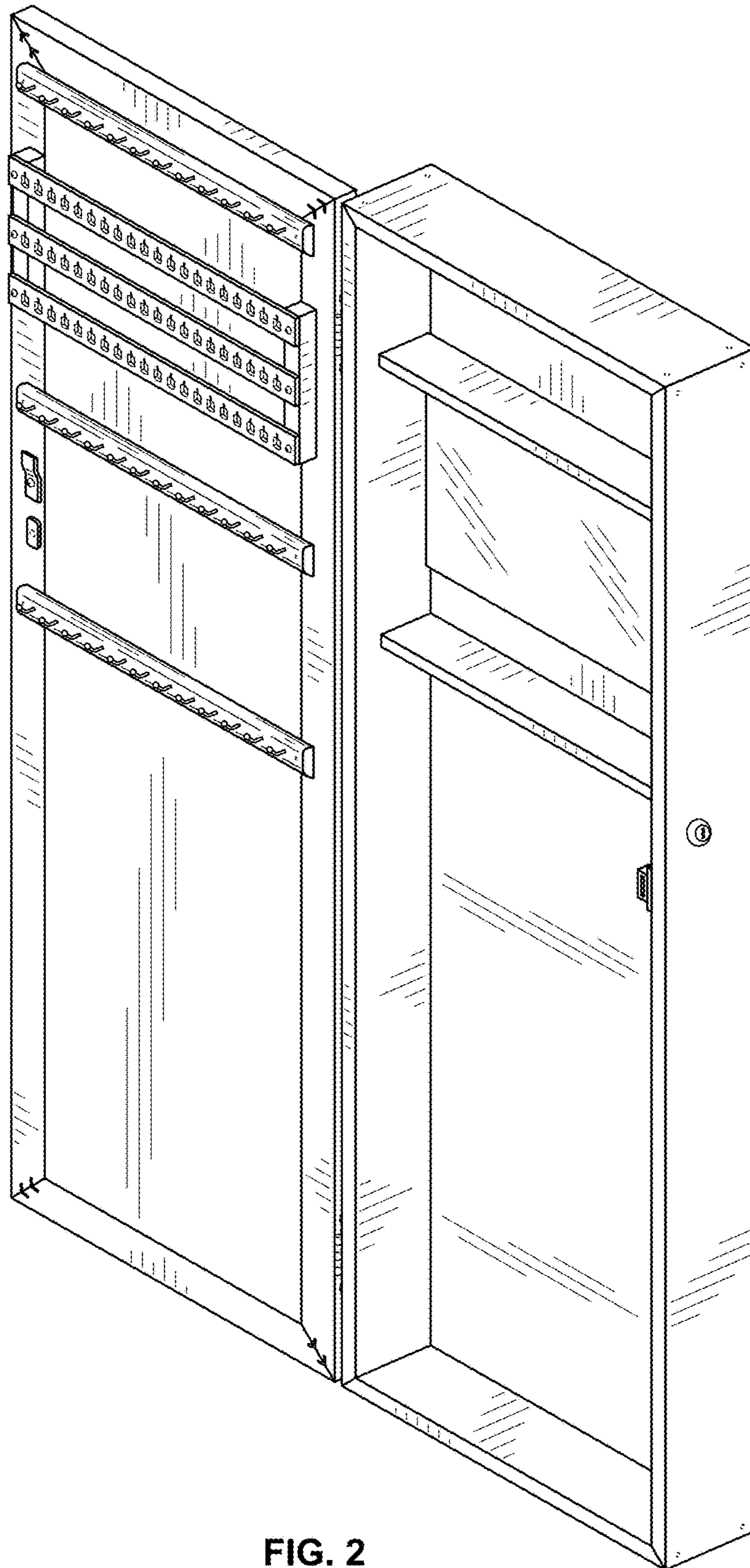


FIG. 2



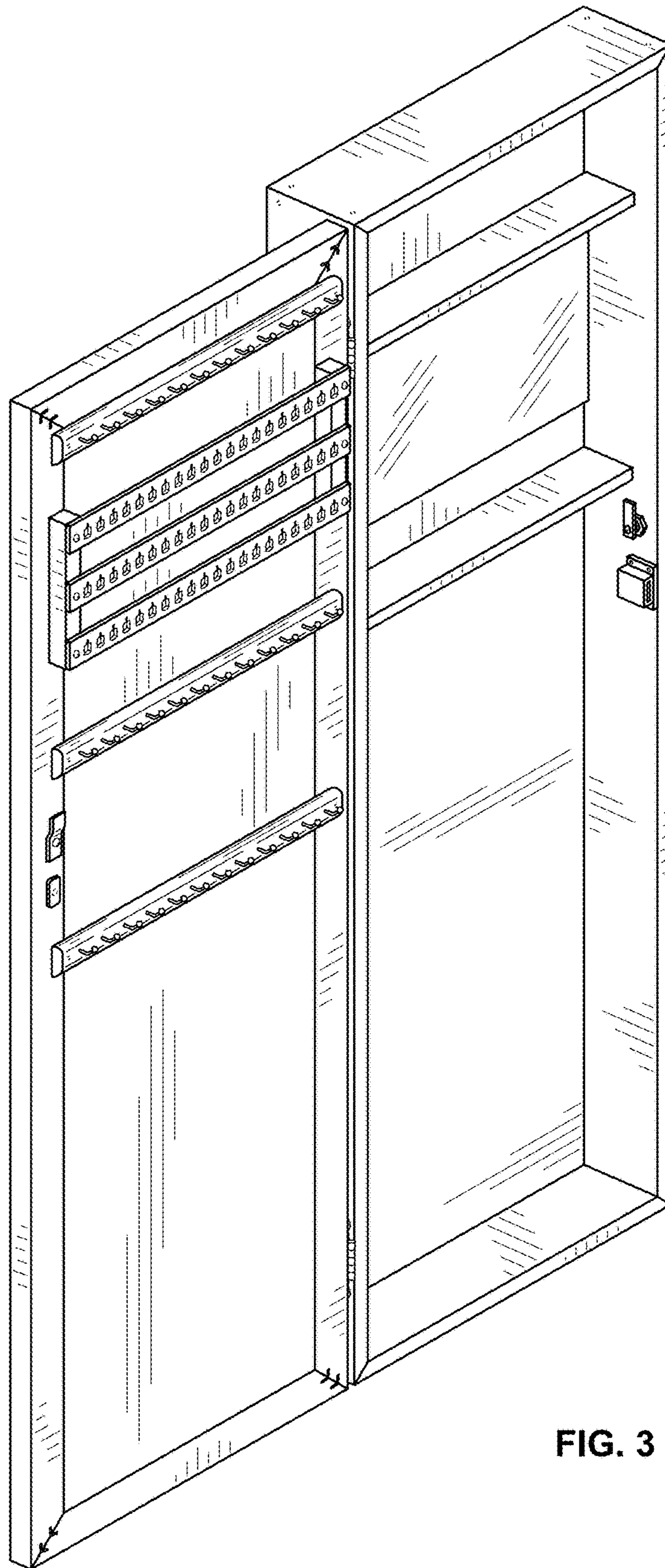


FIG. 3

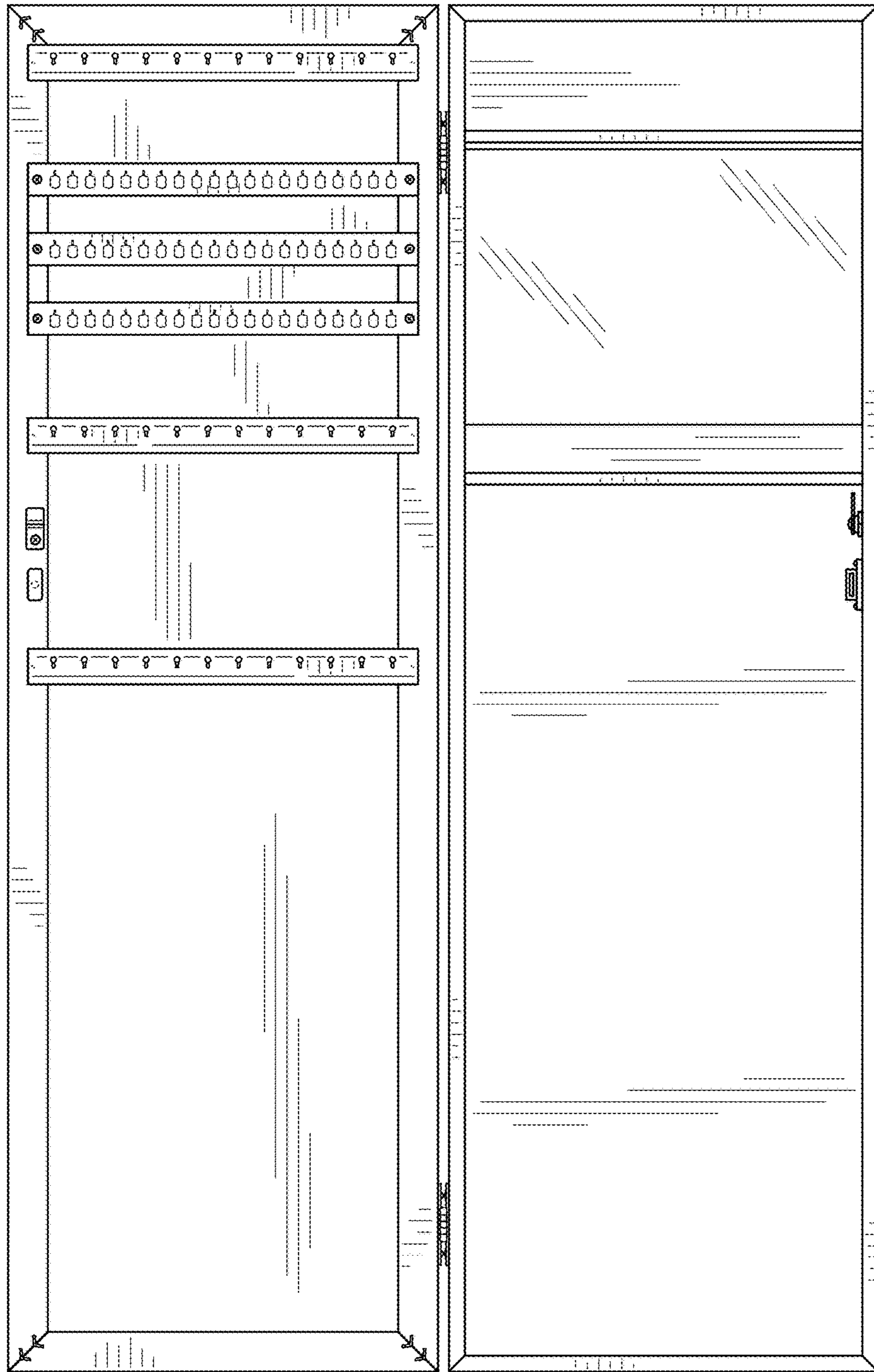


FIG. 4

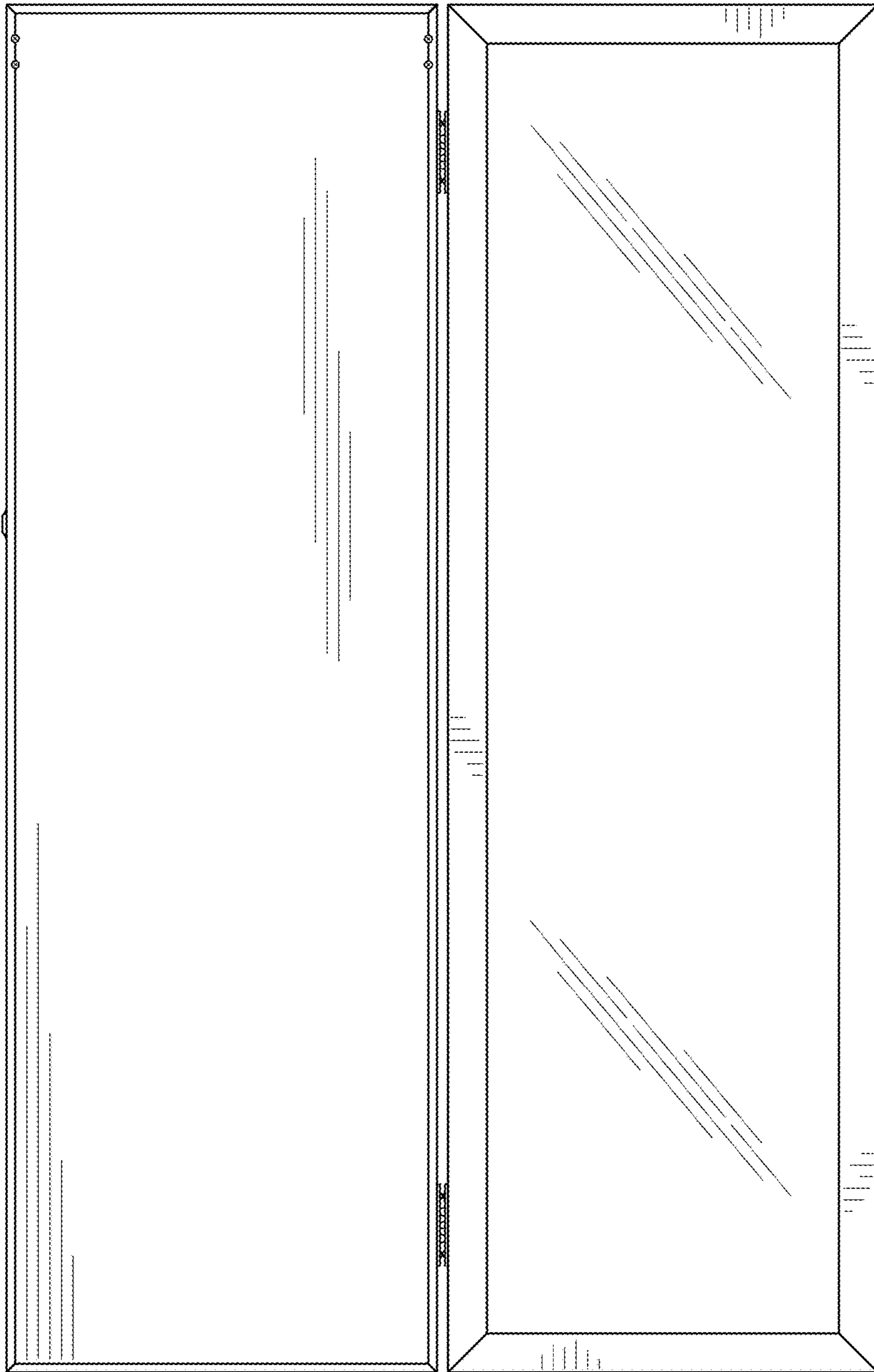


FIG. 5

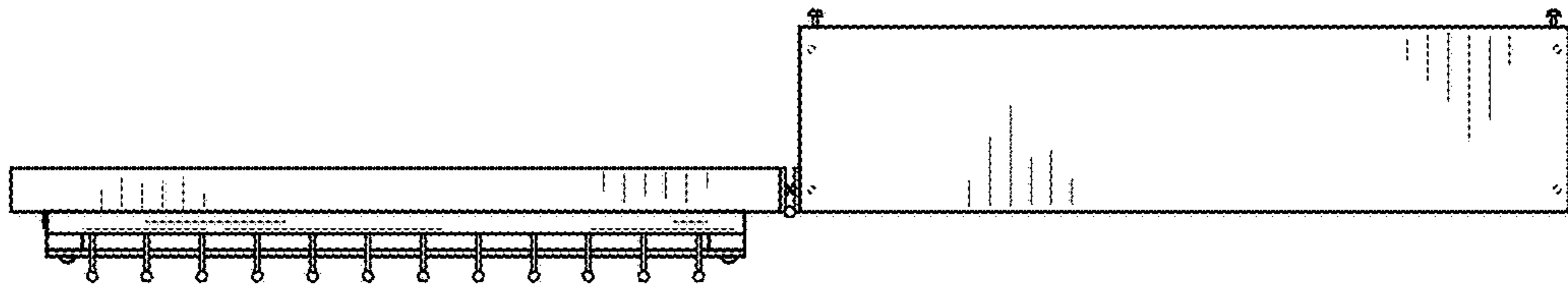


FIG. 6

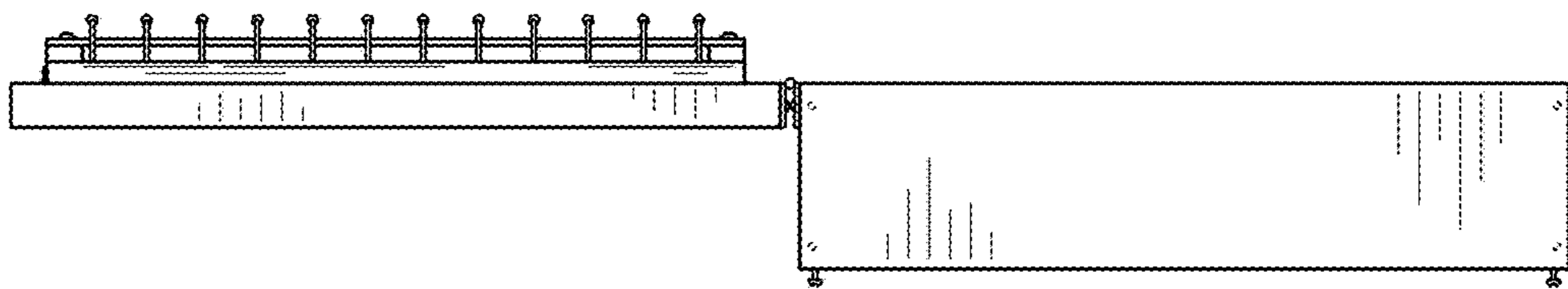


FIG. 7



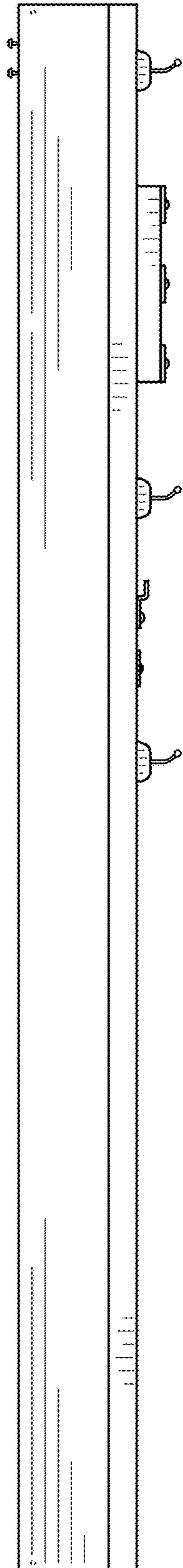


FIG. 8

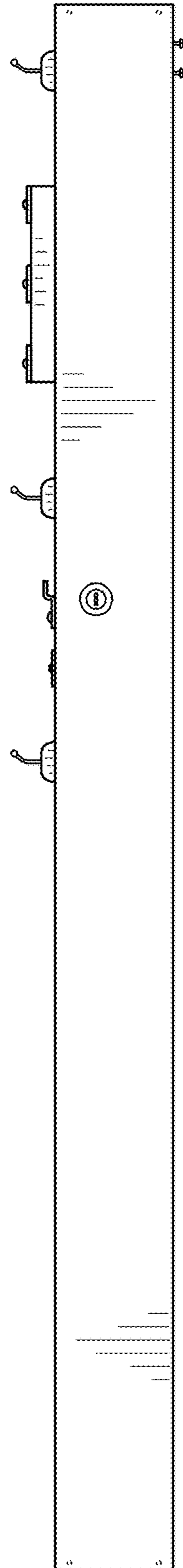


FIG. 9