



US00D799244S

(12) **United States Design Patent** (10) **Patent No.:** **US D799,244 S**
Price et al. (45) **Date of Patent:** **** Oct. 10, 2017**

- (54) **DRAWER CABINET**
- (71) Applicant: **Mortarless Technologies LLC**,
Rochester, MN (US)
- (72) Inventors: **Brian A. Price**, Rochester, MN (US);
Drew Wohlfiel, Mantorville, MN (US)
- (73) Assignee: **Mortarless Technologies LLC**,
Rochester, MN (US)
- (**) Term: **15 Years**
- (21) Appl. No.: **29/552,845**
- (22) Filed: **Jan. 26, 2016**
- (51) **LOC (10) Cl.** **06-04**
- (52) **U.S. Cl.**
USPC **D6/663**
- (58) **Field of Classification Search**
USPC D6/663, 559-561; D23/286;
D24/227-230; D25/48.4, 113, 163
CPC A01M 31/02; A47J 37/0759; A47B 81/00;
A47B 77/02; A47B 47/05; A47B 87/005;
F24B 1/181; F24B 1/195; F24B 1/191;
F24B 1/198; E01F 15/003; E04B
1/34331; E04B 2002/0269; E04C 1/395;
E04H 17/1404; E04H 1/1205; E05C
19/166
See application file for complete search history.

- (56) **References Cited**
U.S. PATENT DOCUMENTS
1,102,920 A * 7/1914 Hill A47B 81/00
312/282
2,499,156 A * 2/1950 Paolella A47J 37/0759
126/25 R
D175,570 S * 9/1955 Stanitz D6/663
2,728,334 A * 12/1955 Paolella A47J 37/0759
126/25 R
3,190,279 A * 6/1965 Davis F24B 1/181
126/531

- D207,226 S * 3/1967 Fries D6/663
- 3,561,420 A * 2/1971 Paolella A47J 37/0759
126/25 R
- 5,505,191 A * 4/1996 Brown F24B 1/198
126/500

(Continued)

OTHER PUBLICATIONS

“#DR162 Pull Out Trash Bin” Jun. 27, 2014,
penndutchfurniturestore.com, site visited Feb. 24, 2017 <http://www.penndutchfurniturestore.com/Pine_Accent_Unfinished.htm>.*

(Continued)

Primary Examiner — Kevin Rudzinski
Assistant Examiner — Paul Bohannon
(74) *Attorney, Agent, or Firm* — Fish & Richardson P.C.

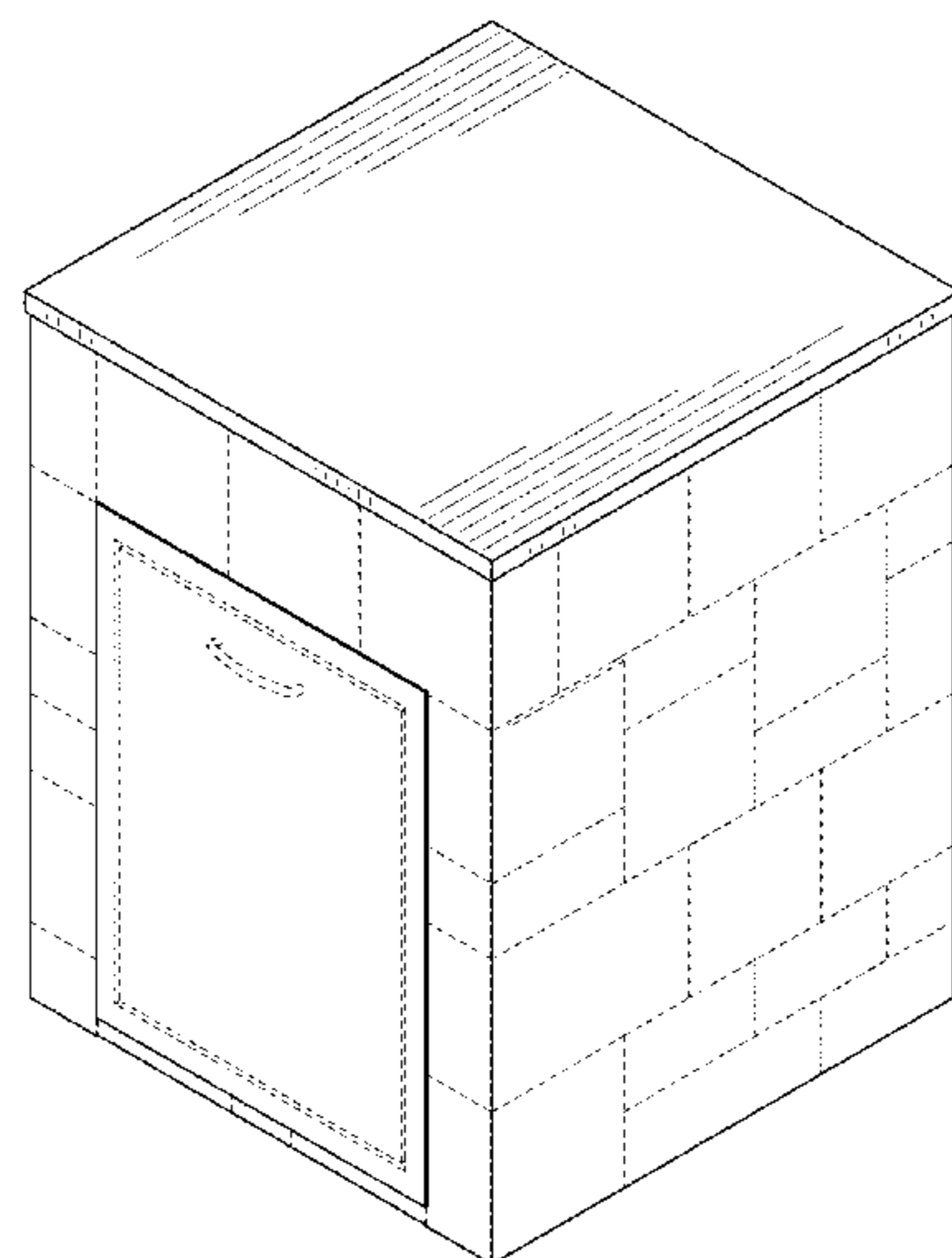
(57) **CLAIM**

The ornamental design for a drawer cabinet, as shown and described.

DESCRIPTION

FIG. 1 is a perspective view of a drawer cabinet.
FIG. 2 is a front view of the drawer cabinet of FIG. 1.
FIG. 3 is a back view of the drawer cabinet of FIG. 1.
FIG. 4 is a left side view of the drawer cabinet of FIG. 1.
FIG. 5 is a right side view of the drawer cabinet of FIG. 1.
FIG. 6 is a top view of the drawer cabinet of FIG. 1.
FIG. 7 is a bottom view of the drawer cabinet of FIG. 1.
FIG. 8 is an illustration of the drawer cabinet of FIG. 1 as part of a first exemplary outdoor kitchen; and,
FIG. 9 is an illustration of the drawer cabinet of FIG. 1 as part of a second exemplary outdoor kitchen.
The broken line showing of a drawer cabinet is included for the purpose of illustrating portions of the article and forms no part of the claimed design; the broken line showing of an outdoor kitchen is included for the purpose of environmental structure and forms no part of the claimed design.

1 Claim, 6 Drawing Sheets



(56)

References Cited

U.S. PATENT DOCUMENTS

5,673,512 A * 10/1997 Dupre E01F 15/003
206/417
5,836,572 A * 11/1998 Sugiyama E04H 17/1404
256/1
5,969,952 A * 10/1999 Hayashi H05K 3/3426
257/696
6,286,269 B1 * 9/2001 Marcum A01M 31/02
135/901
6,332,659 B1 * 12/2001 Cook A47B 47/05
220/617
6,802,158 B1 * 10/2004 Greene E04H 1/1205
52/270
6,923,172 B2 * 8/2005 Muldoon F24B 1/191
126/25 R
D565,196 S * 3/2008 Mock D25/48.4
7,743,574 B2 * 6/2010 Tufts E04C 1/395
256/19
D720,087 S * 12/2014 MacDonald D25/113
2003/0205953 A1 * 11/2003 Fox E05C 19/166
312/216
2004/0065313 A1 * 4/2004 Thompson A47B 77/02
126/37 R
2008/0256891 A1 * 10/2008 Raboine E04H 1/1205
52/604
2011/0265418 A1 * 11/2011 Wolter E04C 1/395
52/561

OTHER PUBLICATIONS

AB Courtyard Collection, "Build a Free-Standing Bar," How-to sheet #330, copyright 2007, 2 pages.
AB Courtyard Collection, "Build an Outdoor Kitchen," How-to sheet #340, copyright 2008, 2 pages.
AB Courtyard Collection, "Building a BBQ Grilling Station," How-to sheet #290, copyright 2003-2005, 2 pages.
AB Courtyard Collection, "Building an Outdoor Kitchen," How-to-sheet #341, copyright 2009, 5 pages.
Allan Block, Top 12 Outdoor Weekend Project Ideas, retrieved from the Internet: <URL: <http://www.allanblock.com/projects/weekend-projects.aspx>>, 2 pages, archived on Dec. 11, 2013.
Anchor Block Products, "Outdoor Living Kits," retrieved from the Internet <URL: <http://anchorblock.com/products/Fire-pits-and-fire-places/default.aspx>>, 15 pages, archived Oct. 16, 2015.
Anchor, "2015 Landscape Collection," copyright 2015, 60 pages.
Anchor, "Do-It-Yourself Landscape Ideas," Jan. 2014, 20 pages.
Anchor, "Easy Weekend Project Ideas," 2015, 24 pages.
Keystone Hardscapes, Country Manor 2-pc Grill Station Kit, 2013, 14 pages.

Keystone Hardscapes, Country Manor 2-pc Kitchen Linear Kit, 2015, 18 pages.
Keystone Hardscapes, Country Manor 3-pc Grill Station1 Kit, 2015, 18 pages.
Keystone Hardscapes, Country Manor 3-pc Grill Station2 Kit, 2012, 6 pages.
Keystone Hardscapes, Country Manor 3-pc Kitchen Linear Kit, 2015, 18 pages.
Keystone Hardscapes, Country Manor 3-pc Kitchen L-shape Kit, 2015, 16 pages.
Versa-Lok, Residential Idea Book, retrieved from the Internet: <URL: <http://www.versa-lok.com/idea-book/residential>>, 14 pages, archived Oct. 12, 2015.
Willow Creek Landscape Kits for Outdoor Living, retrieved from the Internet: <URL: <http://www.willowcreekpavingstones.com/willow-creek-outdoor-kits>>, 5 pages, archived Feb. 22, 2015.
WillowCreek, "Ledgestone Bar and Grill Kit," retrieved from the Internet: <URL: <http://www.willowcreekpavingstones.com/sites/default/files/docs/pdf/BarGrill2013Print.pdf>>, 2013, 1 page.
WillowCreek, "Ledgestone Grill Kit," retrieved from the Internet: <<https://www.patiotown.com/sites/default/files/files/Grill%20Kits%202013.pdf>>, 2013, 1 page.
WillowCreek, "Outdoor Fireplace Kit," 2012, 1 page.
U.S. Appl. No. 29,552,756, filed Jan. 26, 2016, Price et al.
U.S. Appl. No. 29,552,752, filed Jan. 26, 2016, Price et al.
U.S. Appl. No. 29,552,769, filed Jan. 26, 2016, Price et al.
U.S. Appl. No. 29,552,760, filed Jan. 26, 2016, Price et al.
U.S. Appl. No. 29,552,784, filed Jan. 26, 2016, Price et al.
U.S. Appl. No. 29,552,763, filed Jan. 26, 2016, Price et al.
U.S. Appl. No. 29,552,766, filed Jan. 26, 2016, Price et al.
U.S. Appl. No. 29,552,778, filed Jan. 26, 2016, Price et al.
U.S. Appl. No. 29,552,773, filed Jan. 26, 2016, Price et al.
U.S. Appl. No. 29,552,786, filed Jan. 26, 2016, Price et al.
U.S. Appl. No. 29,552,776, filed Jan. 26, 2016, Price et al.
U.S. Appl. No. 29,552,782, filed Jan. 26, 2016, Price et al.
U.S. Appl. No. 29,552,780, filed Jan. 26, 2016, Price et al.
U.S. Appl. No. 29,552,789, filed Jan. 26, 2016, Price et al.
U.S. Appl. No. 29,552,794, filed Jan. 26, 2016, Price et al.
U.S. Appl. No. 29,552,795, filed Jan. 26, 2016, Price et al.
U.S. Appl. No. 29,552,805, filed Jan. 26, 2016, Price et al.
U.S. Appl. No. 29,552,809, filed Jan. 26, 2016, Price et al.
U.S. Appl. No. 29,552,802, filed Jan. 26, 2016, Price et al.
U.S. Appl. No. 29,552,817, filed Jan. 26, 2016, Price et al.
U.S. Appl. No. 29,552,806, filed Jan. 26, 2016, Price et al.
U.S. Appl. No. 29,552,813, filed Jan. 26, 2016, Price et al.
U.S. Appl. No. 29,552,853, filed Jan. 26, 2016, Price et al.
U.S. Appl. No. 29,552,846, filed Jan. 26, 2016, Price et al.
U.S. Appl. No. 29,552,858, filed Jan. 26, 2016, Price et al.
U.S. Appl. No. 29,552,849, filed Jan. 26, 2016, Price et al.

* cited by examiner

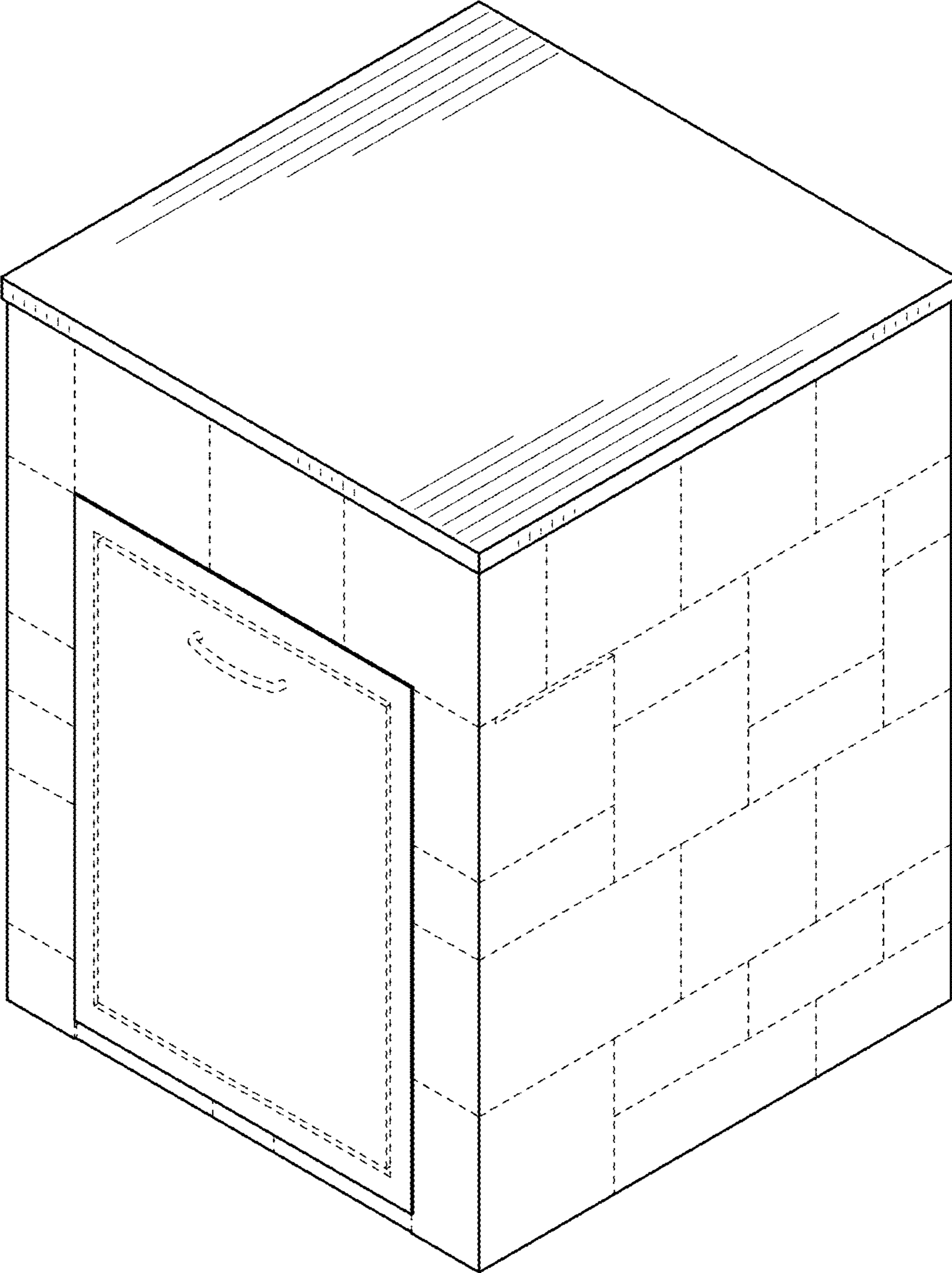


FIG. 1

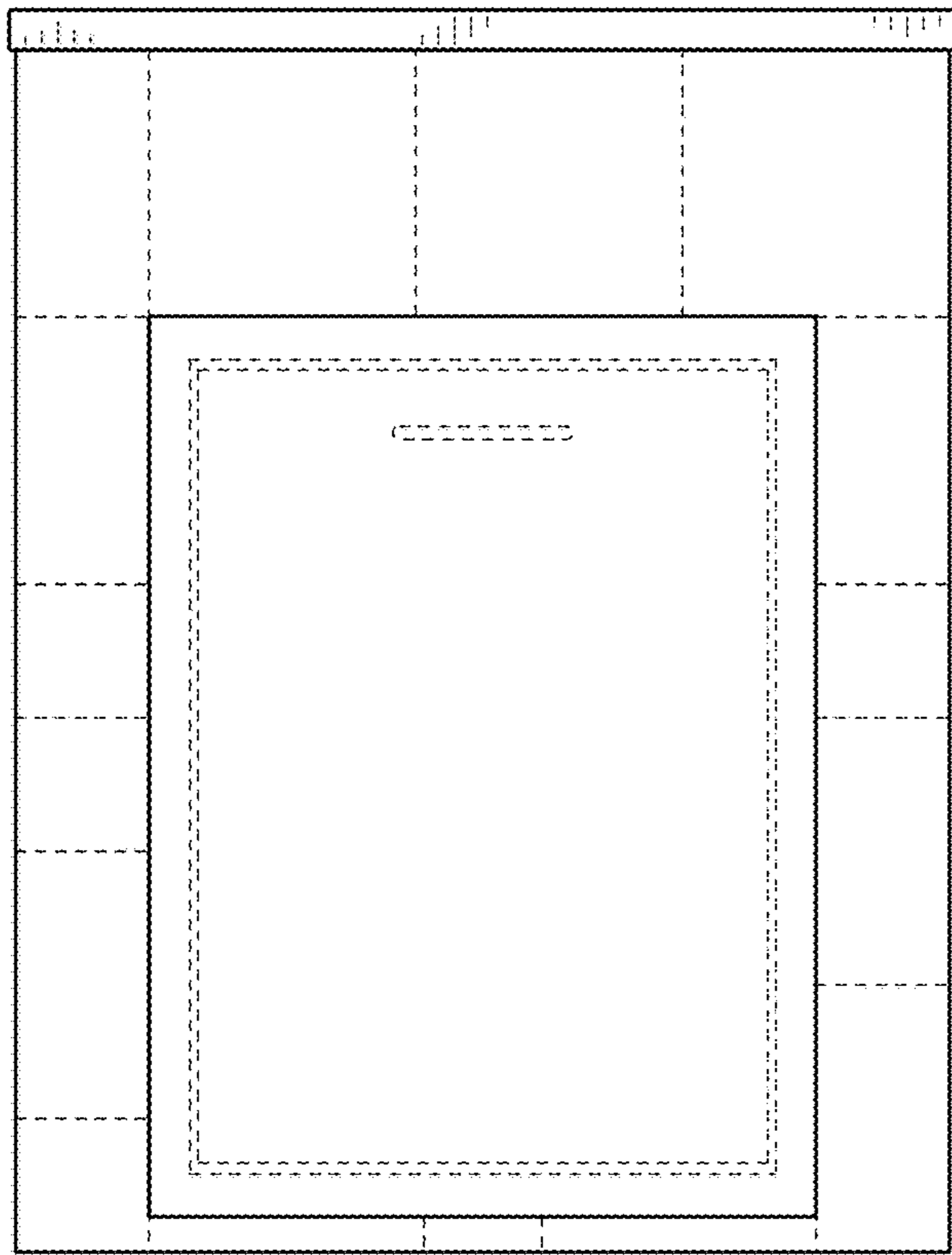


FIG. 2

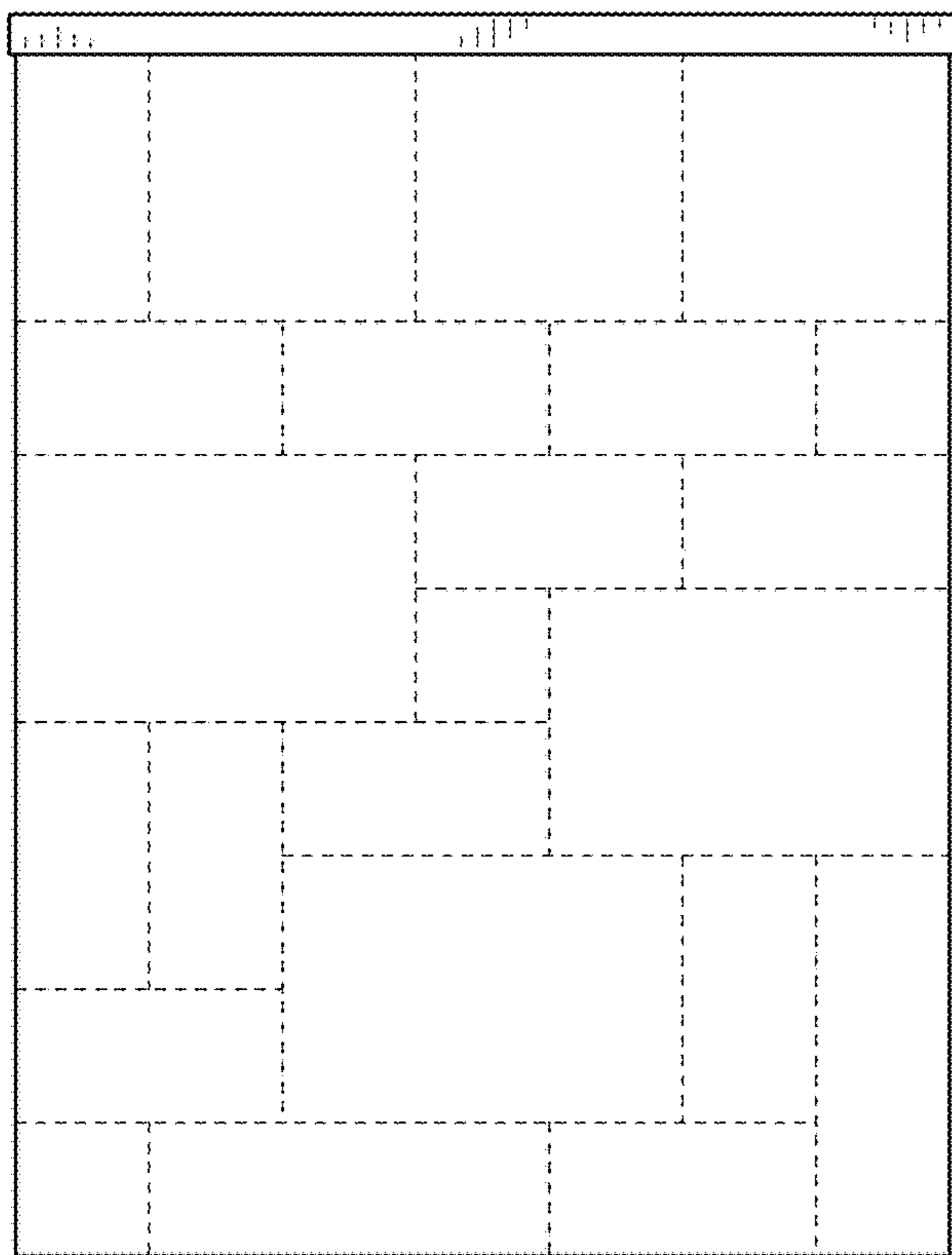


FIG. 3

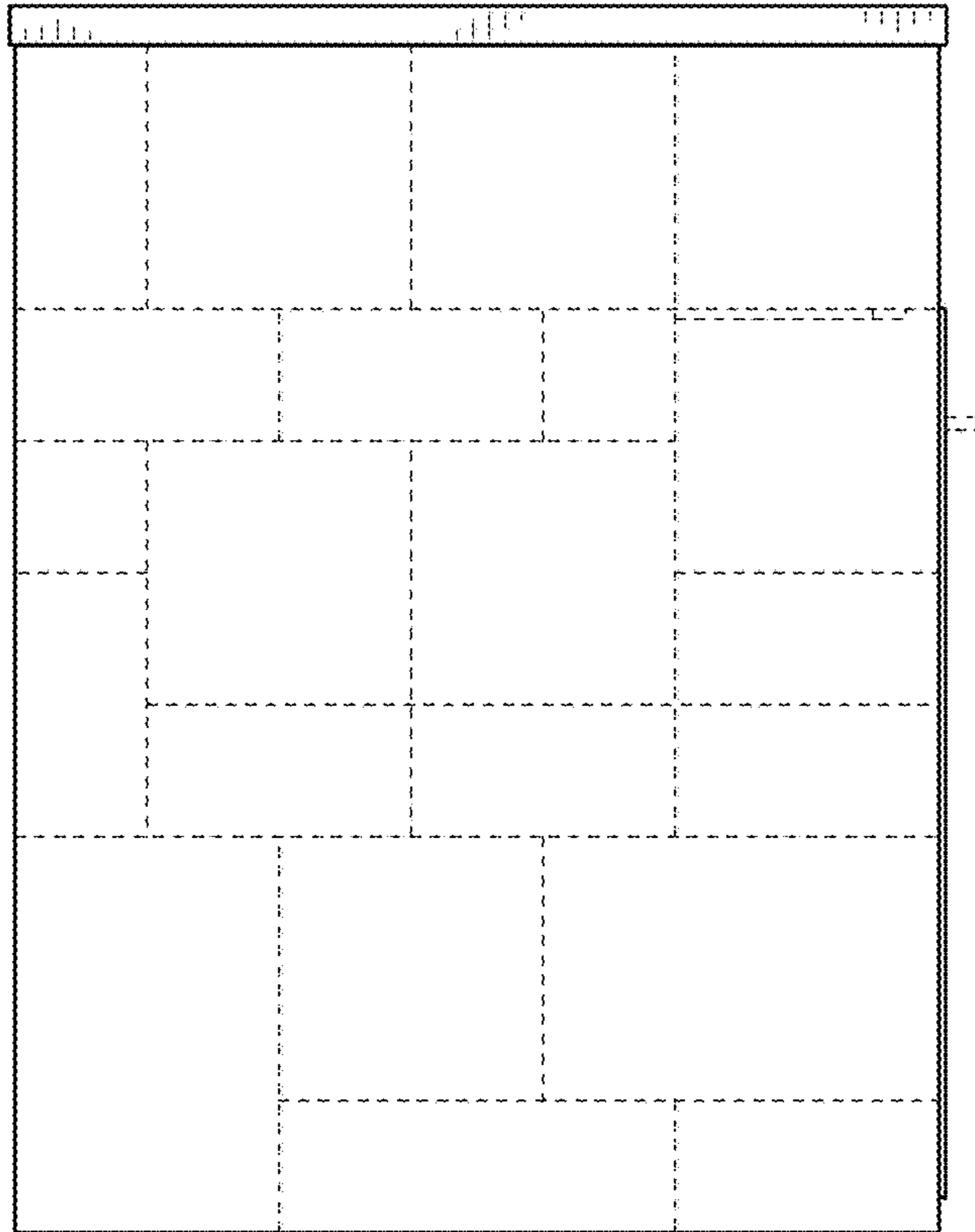


FIG. 4

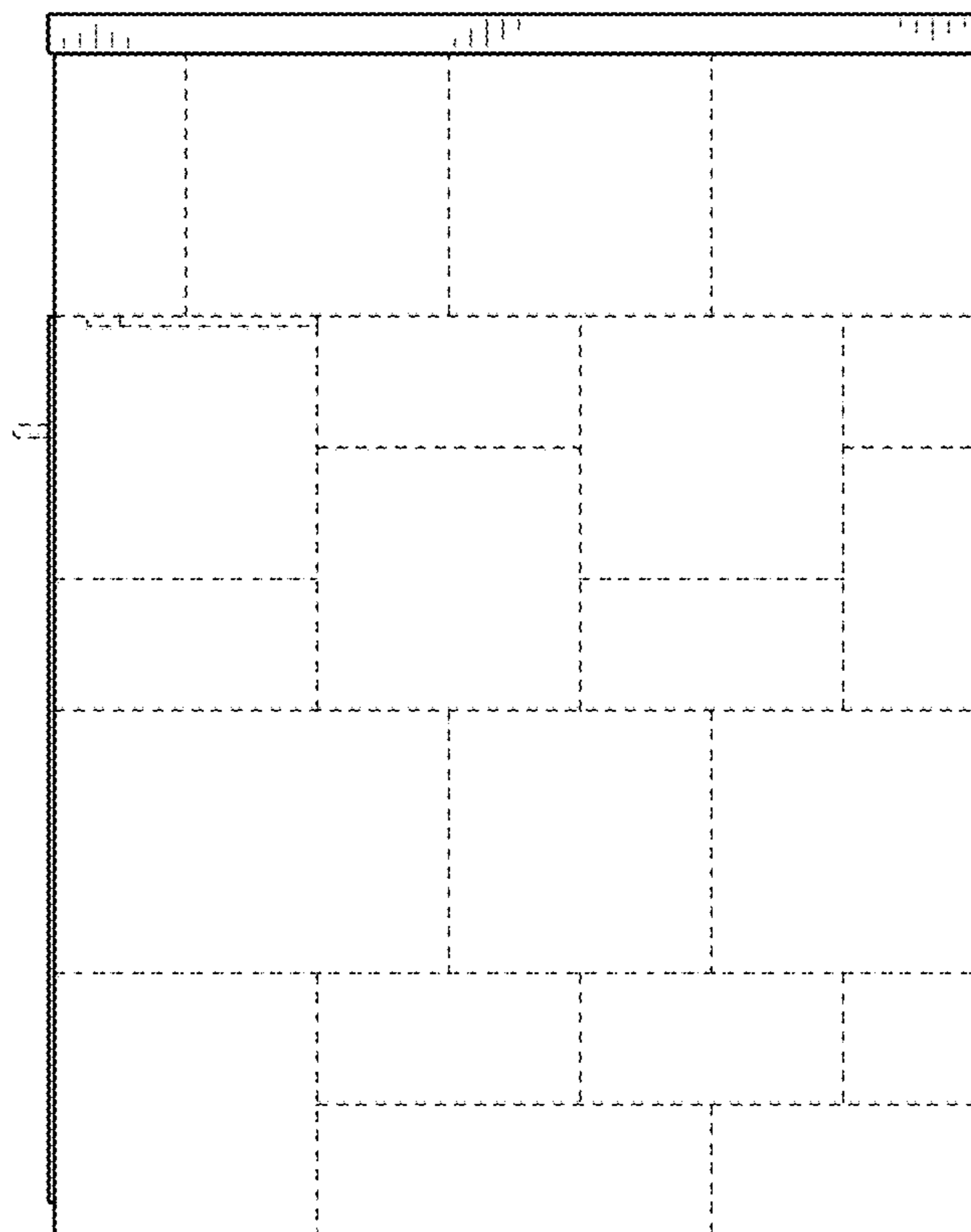


FIG. 5

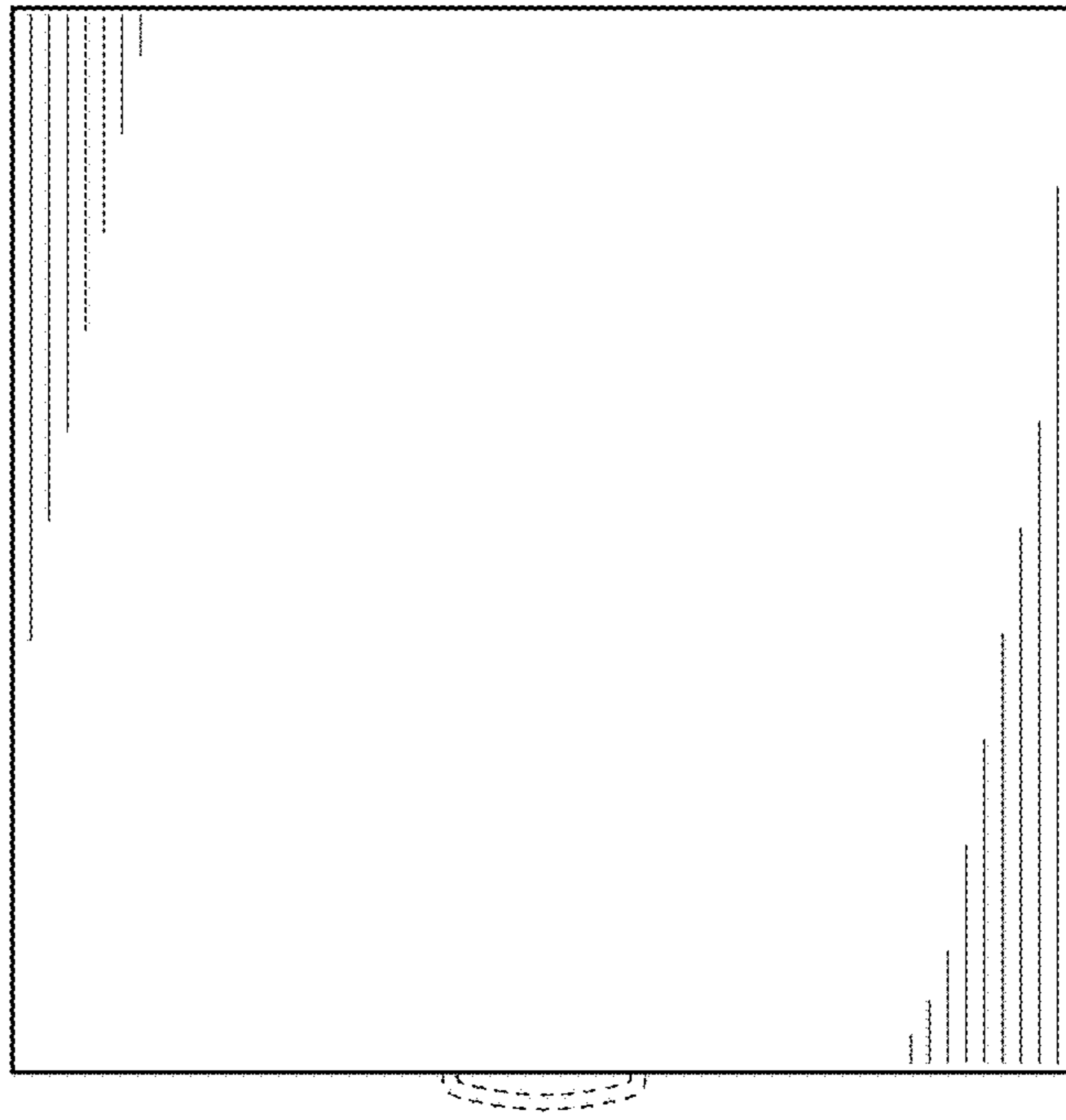


FIG. 6

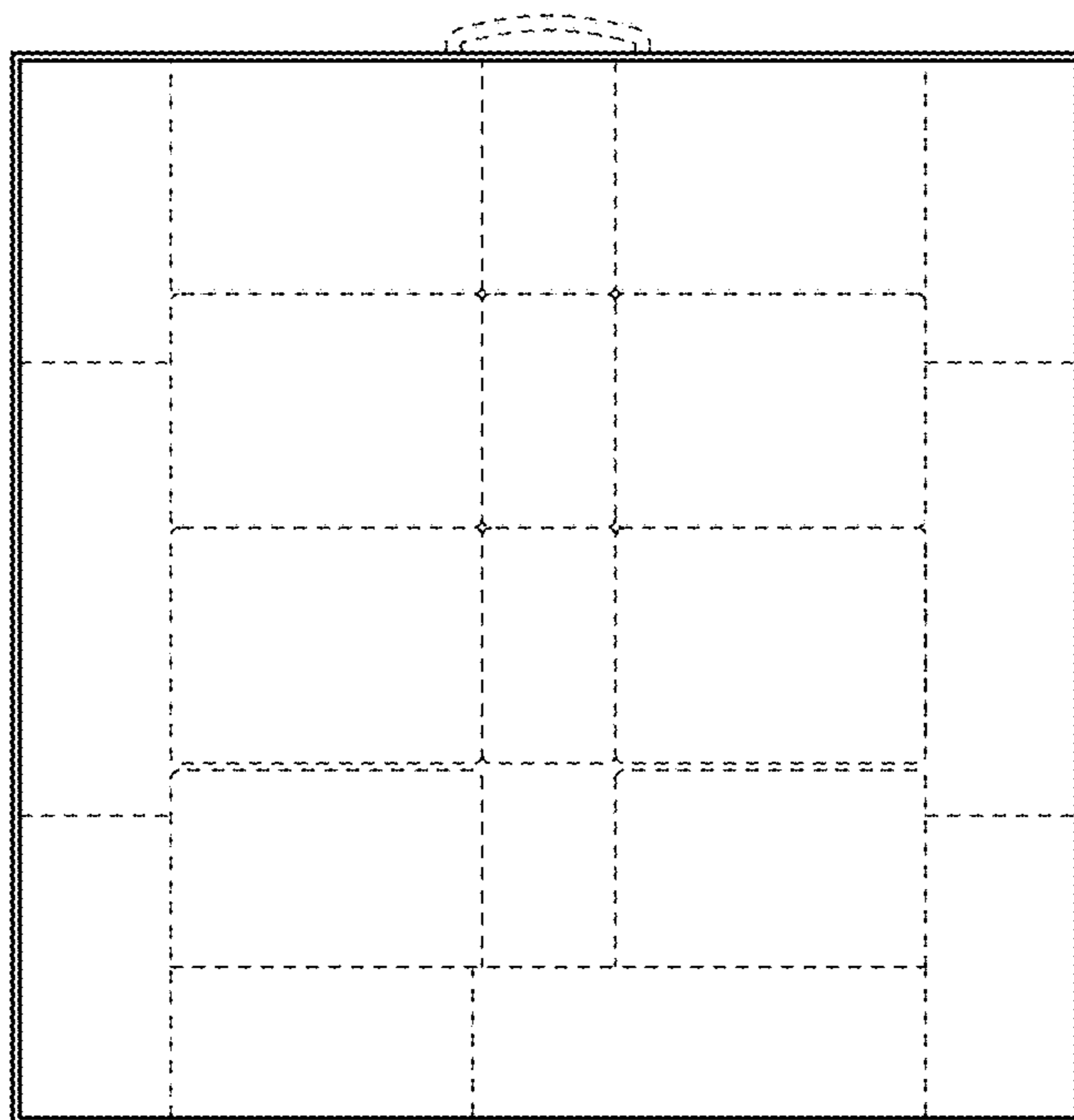


FIG. 7

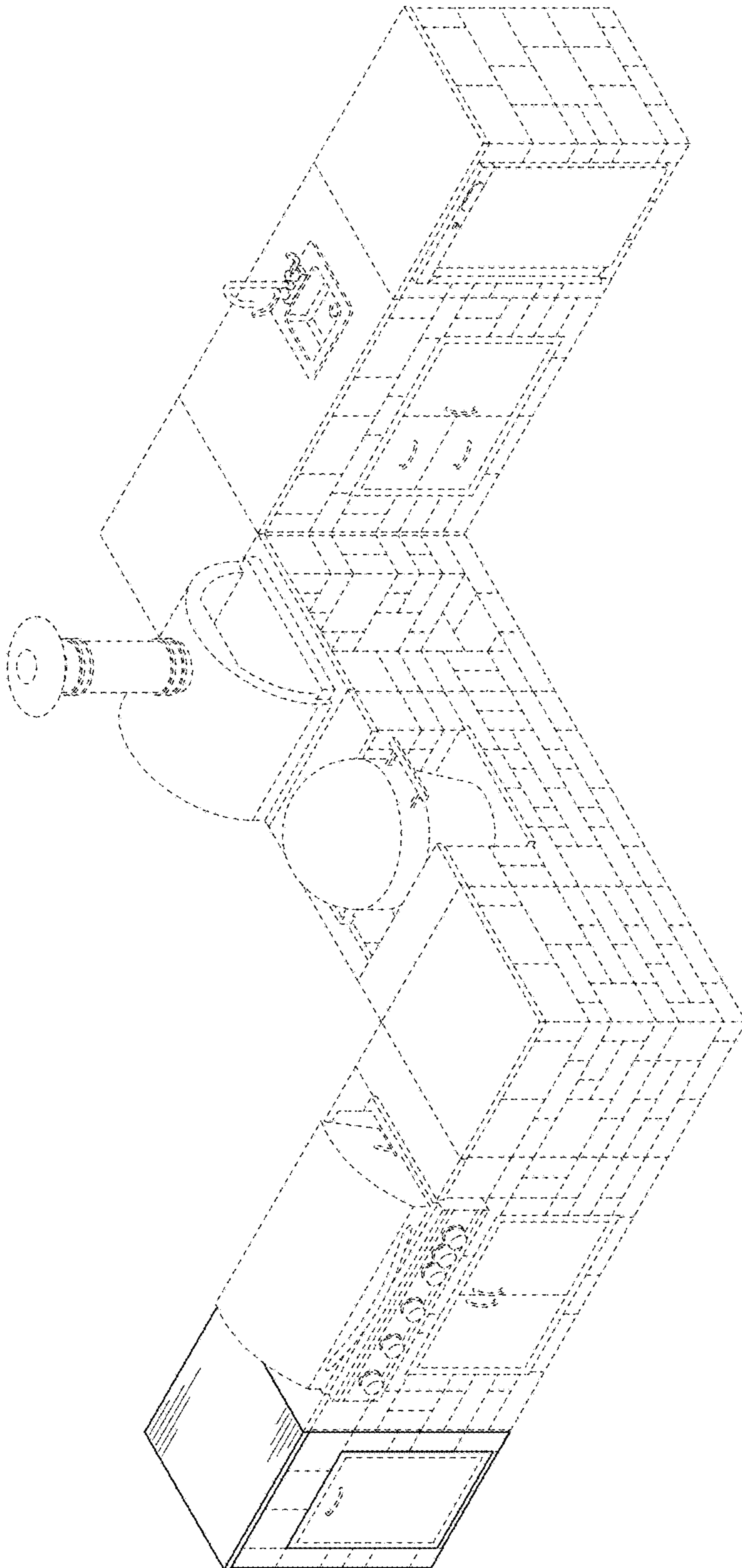


FIG. 8

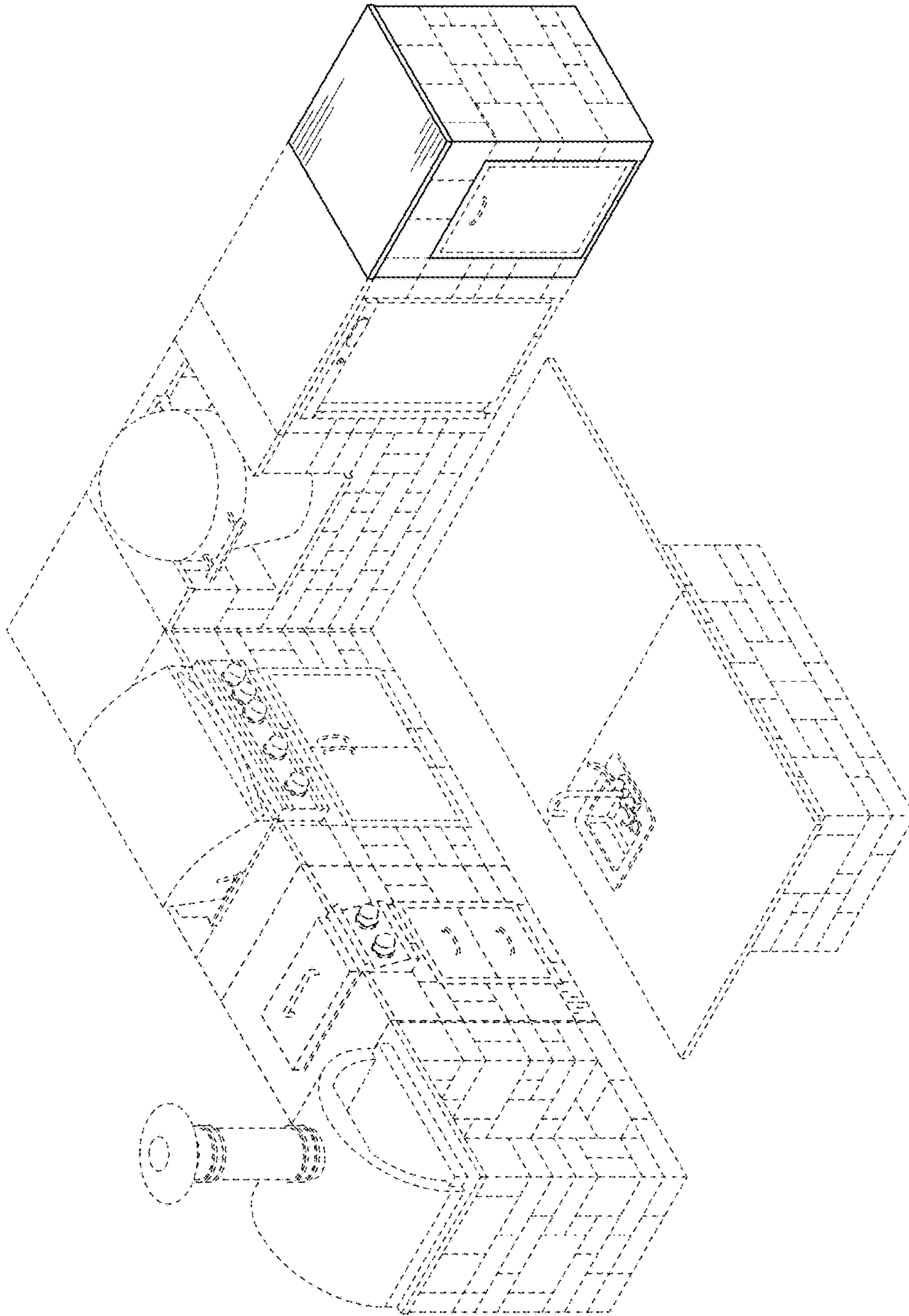


FIG. 9