



US00D799243S

(12) **United States Design Patent** (10) **Patent No.:** **US D799,243 S**
Mark (45) **Date of Patent:** **** Oct. 10, 2017**

(54) **JERSEY STYLE DECORATIVE COVER FOR A SLOW COOKER**

(71) Applicant: **Linda Mark**, Chesterfield, MO (US)

(72) Inventor: **Linda Mark**, Chesterfield, MO (US)

(73) Assignee: **Linda Mark**, Chesterfield, MO (US)

(**) Term: **15 Years**

(21) Appl. No.: **29/544,884**

(22) Filed: **Nov. 6, 2015**

Related U.S. Application Data

(63) Continuation-in-part of application No. 13/912,757, filed on Jun. 7, 2013, now abandoned.

(51) **LOC (10) Cl.** **06-13**

(52) **U.S. Cl.**
USPC **D6/610; D7/601; D7/607**

(58) **Field of Classification Search**
USPC 150/165; D7/516, 517, 607, 625, 392.1, D7/624.2, 605, 624.3, 601, 606, 387; D3/271.9, 276, 289; D2/845; D30/145, D30/144; D9/619, 668; 119/712; D6/610; 383/112; 220/737

CPC A47G 19/127; A47G 21/007; A47J 36/24; A47J 36/06; A47J 41/0083
See application file for complete search history.

(56) **References Cited**

U.S. PATENT DOCUMENTS

3,507,312 A	4/1970	Petersen	
D246,029 S *	10/1977	Lynn	D9/780
D276,119 S *	10/1984	Heweston	D7/607
D276,203 S *	11/1984	Heweston	D7/607
D276,204 S *	11/1984	Heweston	D7/607
4,812,054 A *	3/1989	Kirkendall	A45C 3/04 383/110

D302,636 S	8/1989	Singer	
D309,847 S *	8/1990	Scheurer	D34/39
D376,957 S *	12/1996	Sharp	D7/607
5,765,715 A *	6/1998	Hughes	A47G 23/0216 220/23.89
D398,195 S *	9/1998	Rausch	D7/607
D411,076 S *	6/1999	Evers	D7/391

(Continued)

OTHER PUBLICATIONS

NPL #1 Imprinted Water Cooler Cover, Rappz, posted on youtube.com via <https://tradeshow-stuff.com>, posted Oct. 2, 2015, © Standard YouTube License [online], [site visited Sep. 21, 2016]. Available from Internet, <URL: <https://www.youtube.com/watch?v=xe6T8qbStWc>>.*

(Continued)

Primary Examiner — Lakiya Rogers

Assistant Examiner — Altaira Swangin

(74) *Attorney, Agent, or Firm* — Dinsmore & Shohl LLP

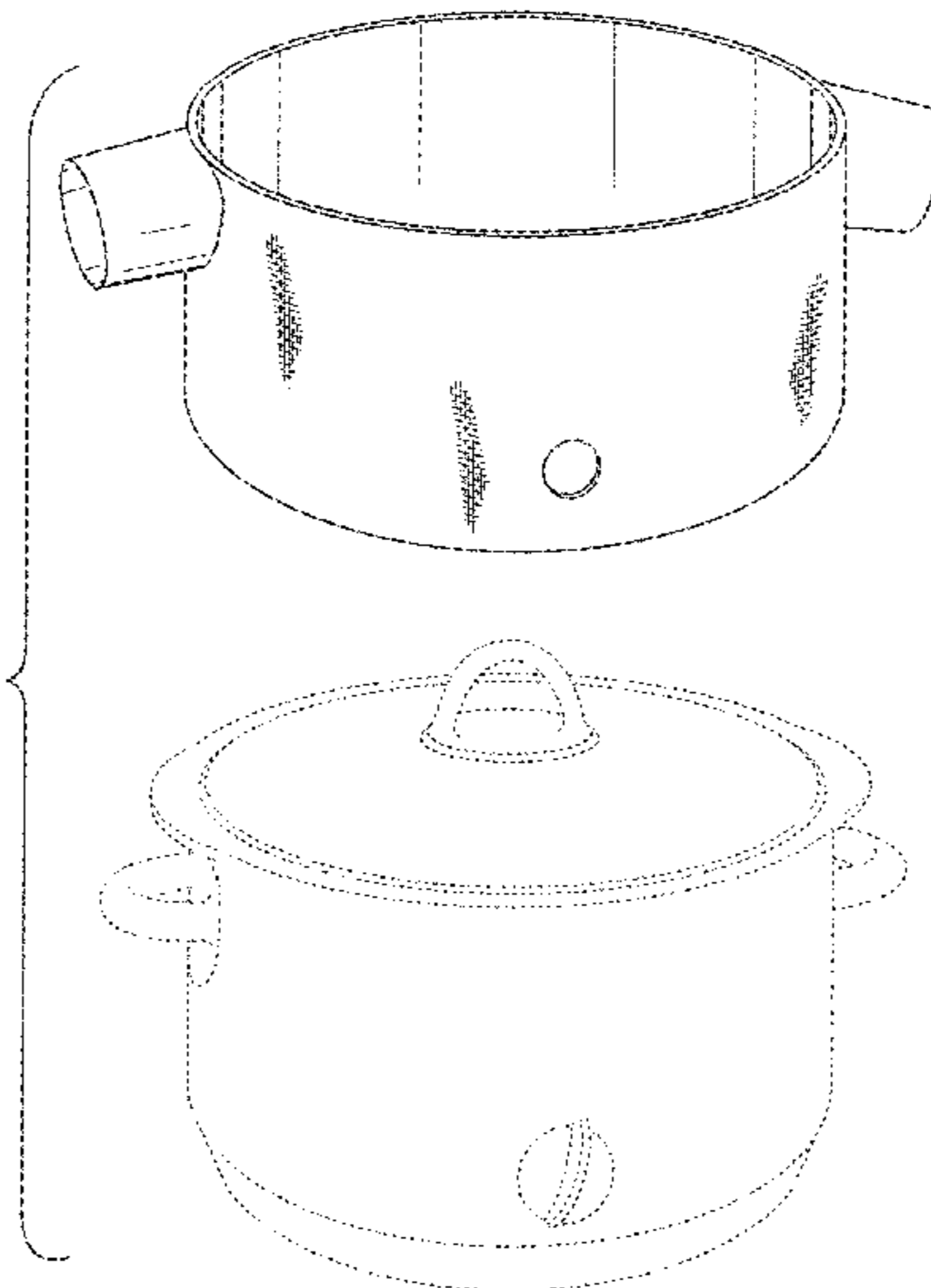
(57) **CLAIM**

The ornamental design for a jersey style decorative cover for a slow cooker, as shown and described.

DESCRIPTION

FIG. 1 is an elevational view of the jersey style decorative cover for a slow cooker according to the present design. FIG. 2 is a front plan view of the present design; FIG. 3 is a top plan view of the present design; FIG. 4 is a rear plan view of the present design; FIG. 5 is a bottom plan view of the present design; FIG. 6 is a right side plan view of the present design; and, FIG. 7 is a left side plan view of the present design. The broken lines shown are for environmental purposes only and form no part of the claimed design.

1 Claim, 4 Drawing Sheets



(56)

References Cited

U.S. PATENT DOCUMENTS

5,969,592 A * 10/1999 Reed A47G 23/0216
206/459.1
D423,299 S * 4/2000 Burrus D7/607
D432,873 S * 10/2000 Fair D7/607
D436,805 S 1/2001 Haskins et al.
D449,441 S 10/2001 Jackson et al.
D466,373 S 12/2002 Haskins et al.
D480,609 S * 10/2003 Hicks D7/625
D481,267 S * 10/2003 Yamane D2/831
D482,242 S * 11/2003 Yamane D2/831
D482,243 S * 11/2003 Yamane D2/828
D482,935 S * 12/2003 Yamane D2/741
D484,366 S * 12/2003 Yamane D2/831
D489,229 S * 5/2004 Yamane D7/625
6,729,758 B1 * 5/2004 Carter B65D 29/02
220/592.19
D494,423 S * 8/2004 Wright D7/606
D497,780 S * 11/2004 Hicks D7/624.2
D499,309 S * 12/2004 Hicks D2/717
6,866,159 B2 * 3/2005 Yamane A45F 5/00
150/901
D504,800 S * 5/2005 Garcia D2/823
D505,049 S * 5/2005 Ramsdale D7/606
D505,838 S * 6/2005 Hicks D7/624.2
D583,629 S 12/2008 Sgrillo
D594,167 S * 6/2009 Chavez, II D34/10
D604,995 S * 12/2009 Cepero D7/625
D605,900 S 12/2009 Bodum
D612,669 S * 3/2010 Sanchez D7/392
D612,671 S * 3/2010 Sanchez D7/392
D618,498 S * 6/2010 Sanchez D7/392
D643,693 S * 8/2011 Jama D7/607
D651,862 S * 1/2012 Fontana-Kwon D7/625
D668,916 S 10/2012 Mullen
D669,314 S * 10/2012 Quigley D7/607
8,297,469 B1 * 10/2012 Alford A61J 1/16
220/592.2
D676,281 S 2/2013 Mullen
D677,985 S * 3/2013 Lucas D7/392.1
D708,014 S * 7/2014 Marini D7/516
D721,925 S * 2/2015 Feldman D7/623
D728,317 S * 5/2015 Ma D7/317

D729,590 S 5/2015 Steiger
D741,661 S 10/2015 Beatty
D752,397 S * 3/2016 Seiders D7/608
D762,422 S * 8/2016 Coplin D7/624.2
D762,423 S * 8/2016 Coplin D7/624.2
D779,285 S * 2/2017 Seiders D7/624.2
D779,891 S * 2/2017 Seiders D7/608
D779,892 S * 2/2017 Seiders D7/624.2
2004/0028296 A1 * 2/2004 Meli B65D 81/3897
383/110
2007/0053618 A1 3/2007 Schoening
2012/0045153 A1 * 2/2012 Schmal A47J 36/16
383/118
2013/0327457 A1 * 12/2013 Mark A47J 36/06
150/165
2015/0096971 A1 * 4/2015 Schandel G09F 23/0058
219/442
2016/0081504 A1 * 3/2016 Zhang A47G 23/0216
220/739

OTHER PUBLICATIONS

NPL #2 Slow Cooker Cover, Ruby Blue Quilting Studio, posted on blog.shopmartingale.com, posted Jan. 30, 2014, © 1976-2016 Martingale [online], [site visited Sep. 21, 2016]. Available from Internet, <URL:http://blog.shopmartingale.com/quilting-sewing/kitchen-patterns-and-designs-kitchen-stitches/.*

NPL #3: Chicago Cubs MLB Dog Jersey, product #1947329, posted at fansedge.com, posting date not given, customer review from May 20, 2015 Google.com, [online], [site visited Sep. 27, 2016]. Available from Internet, <URL:http://www.fanatics.com/MLB_Minnesota_Twins_Pets/Minnesota_Twins_Baseball_Pet_Jersey.*

Review: Holiday Party Cookware—Kuhn Rikon “Cook & Serve Colon” Nov. 11, 2010 by Karissa; 3 pages http://www.withourbest.com/kitchen-2/food-recipes/review-holiday-p . . .

Despoken The WrapStove from Wonchul Hwang, Mar. 24, 2010; http://www.despoken.com/2010/03/24/the-wrapstove-from-wonchul-h . . .

Pdf pattern crockpot slow cooker 2 qt carrier free shipping anywhere; 3 pages, http://www.etsy.com/listing/19070609/pdf-pattern-crockpot-slow-cook . . . Jun. 5, 2013.

* cited by examiner

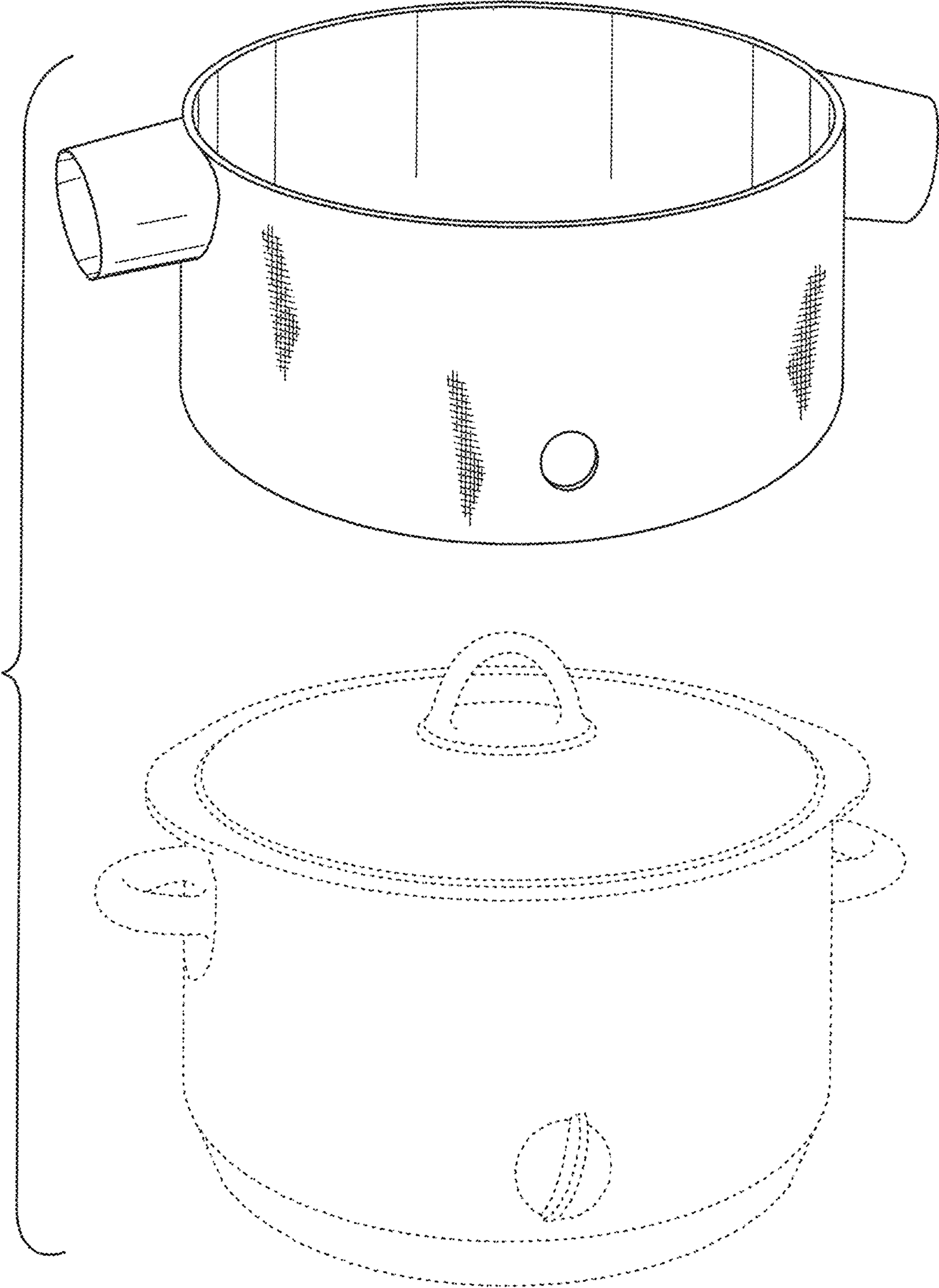


FIG. 1

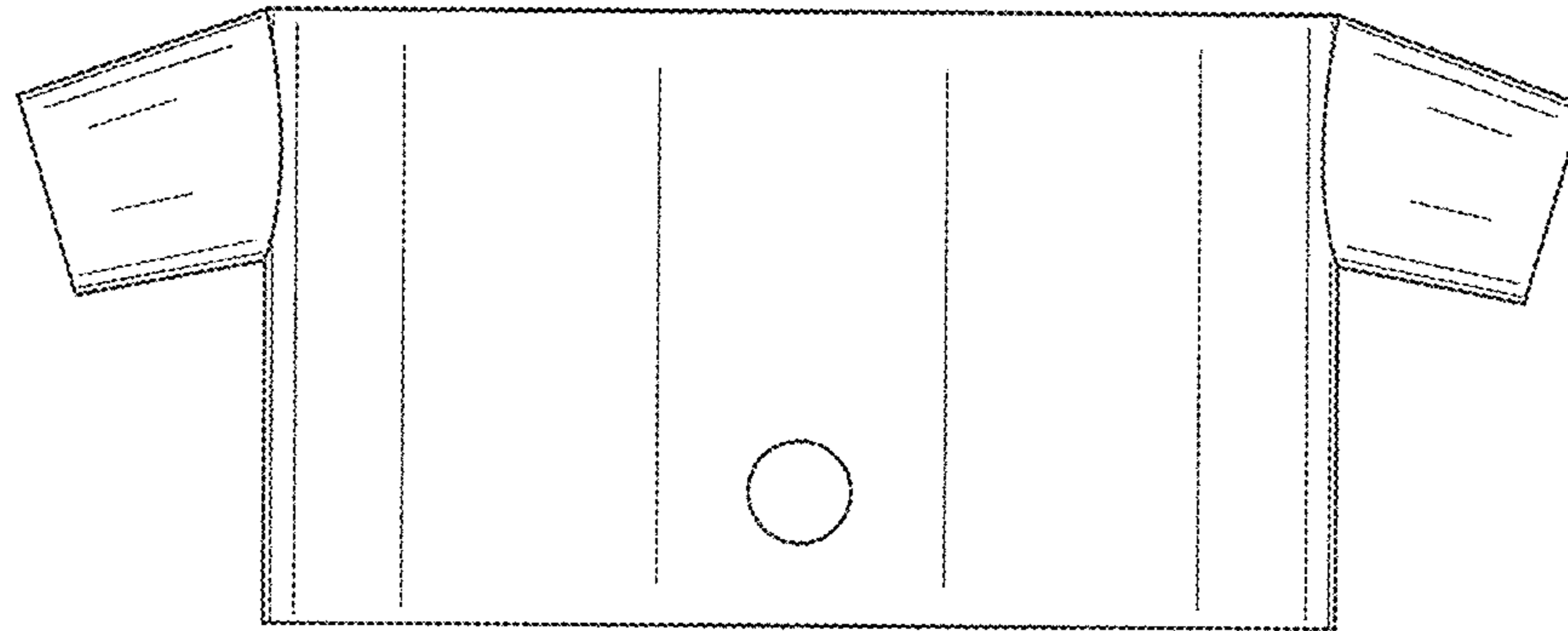


FIG. 2

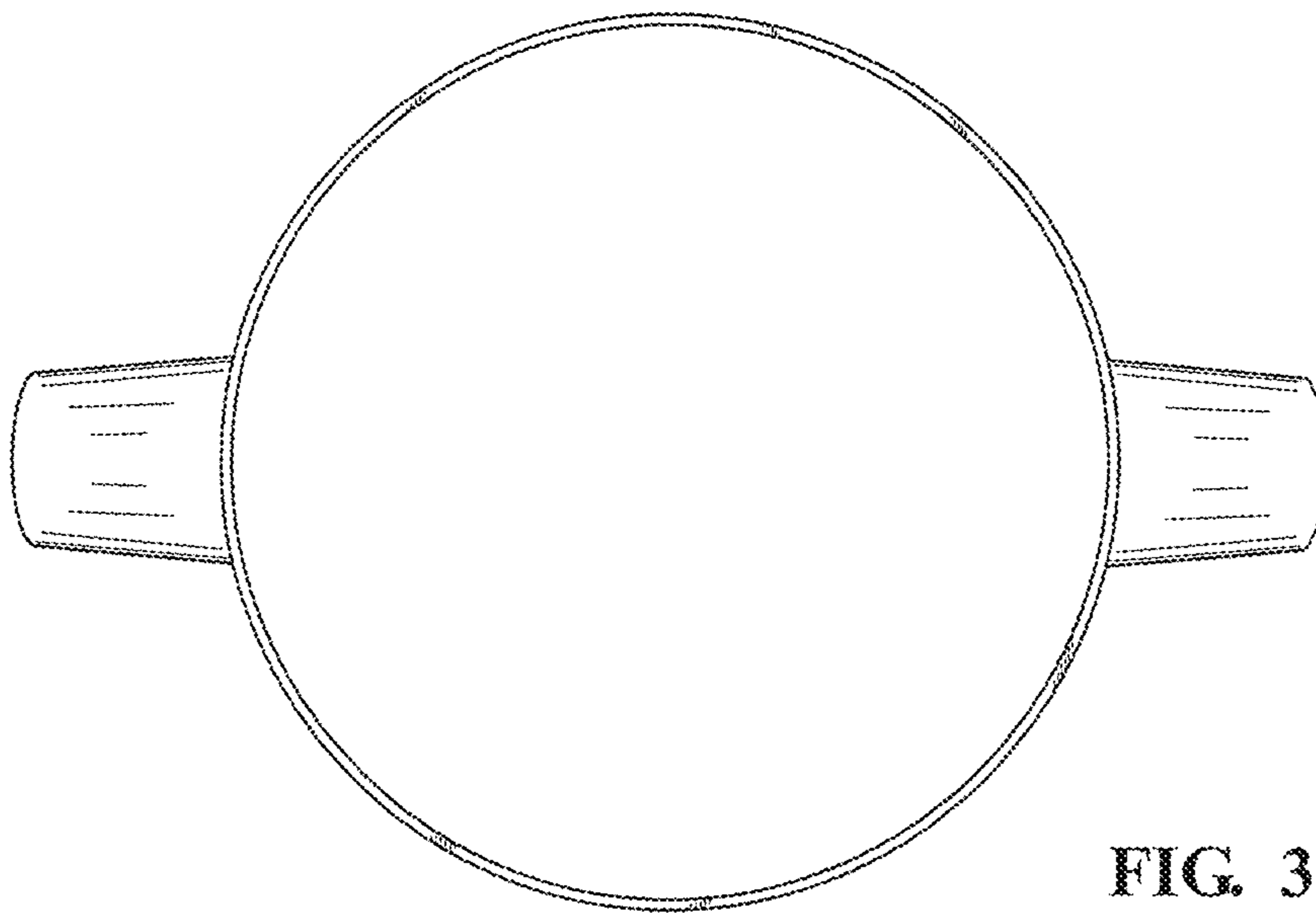


FIG. 3

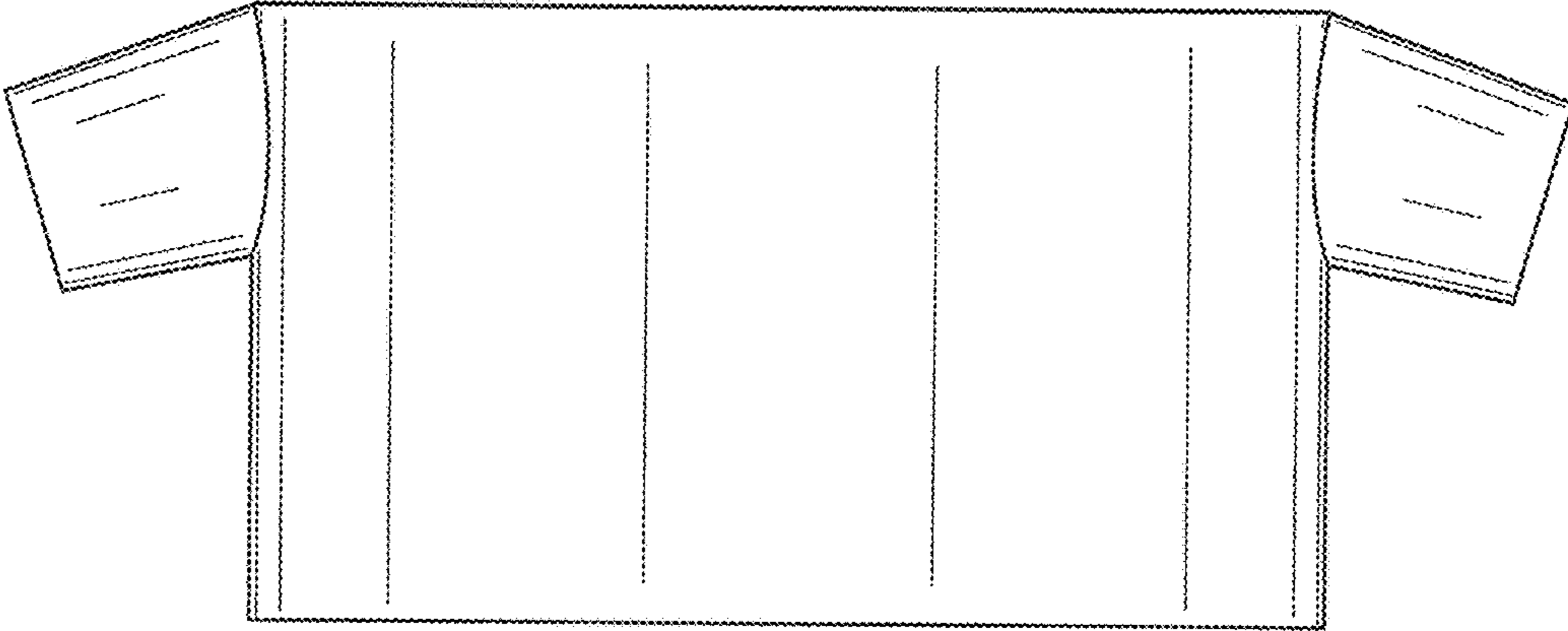


FIG. 4

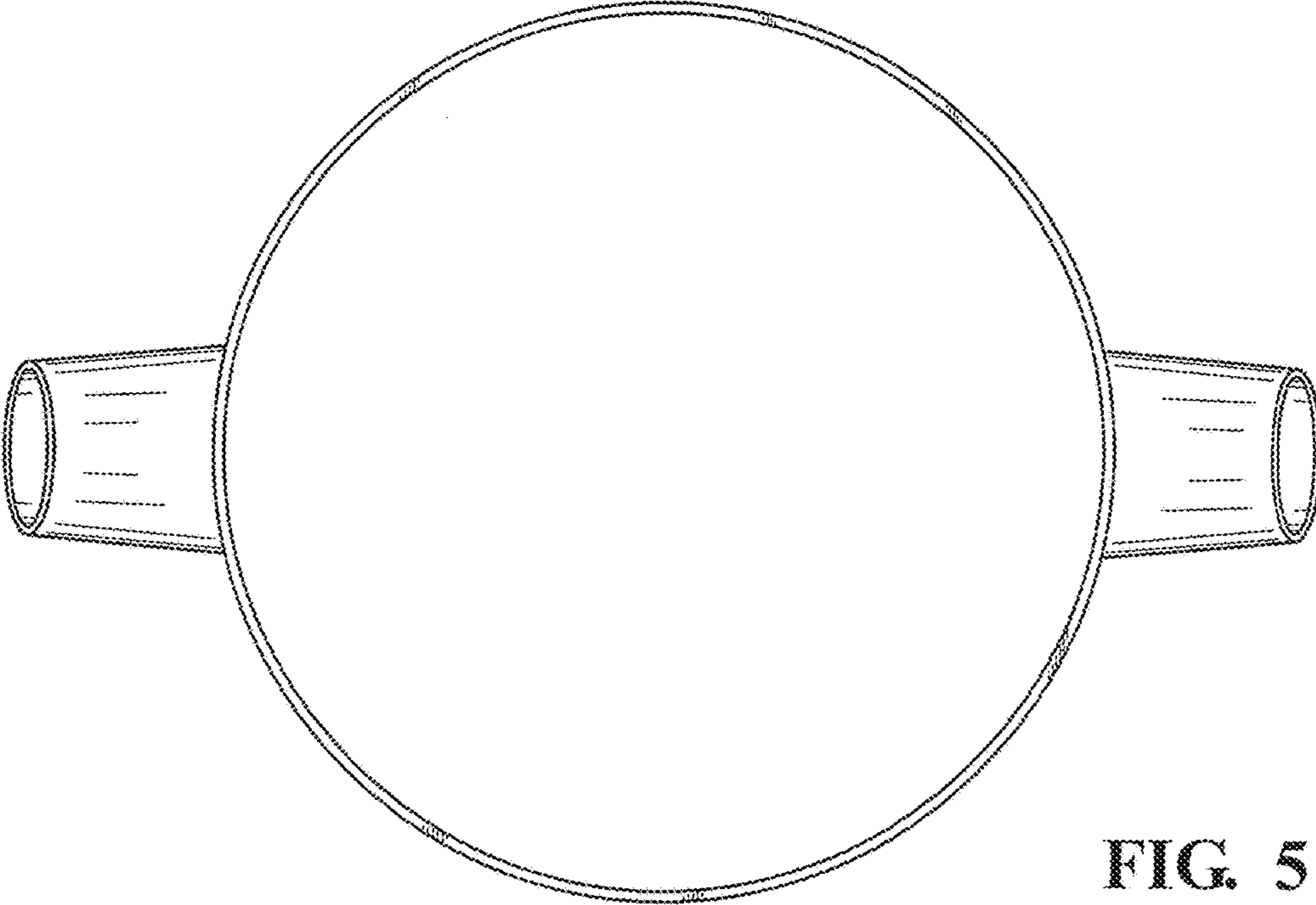


FIG. 5

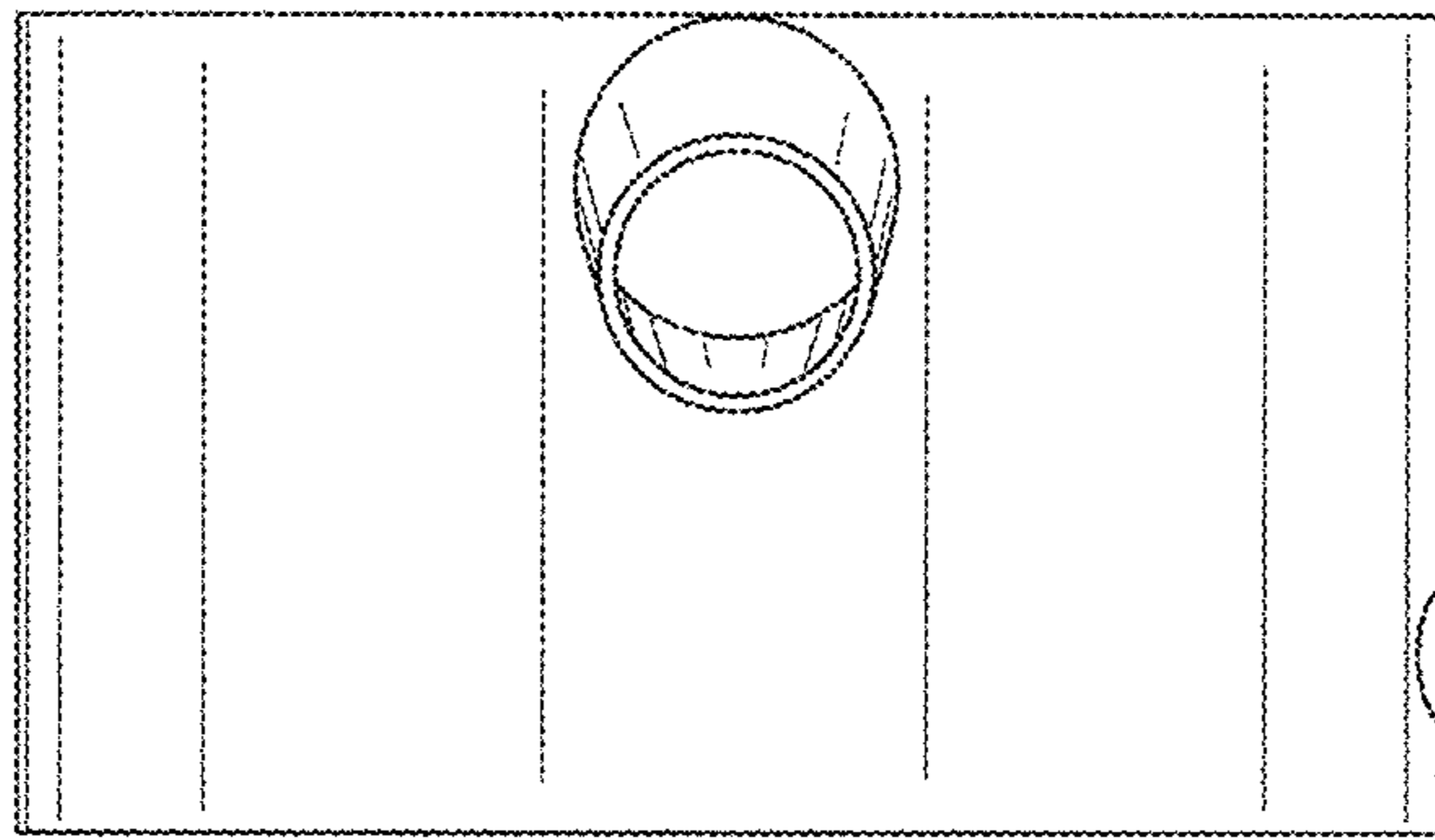


FIG. 6

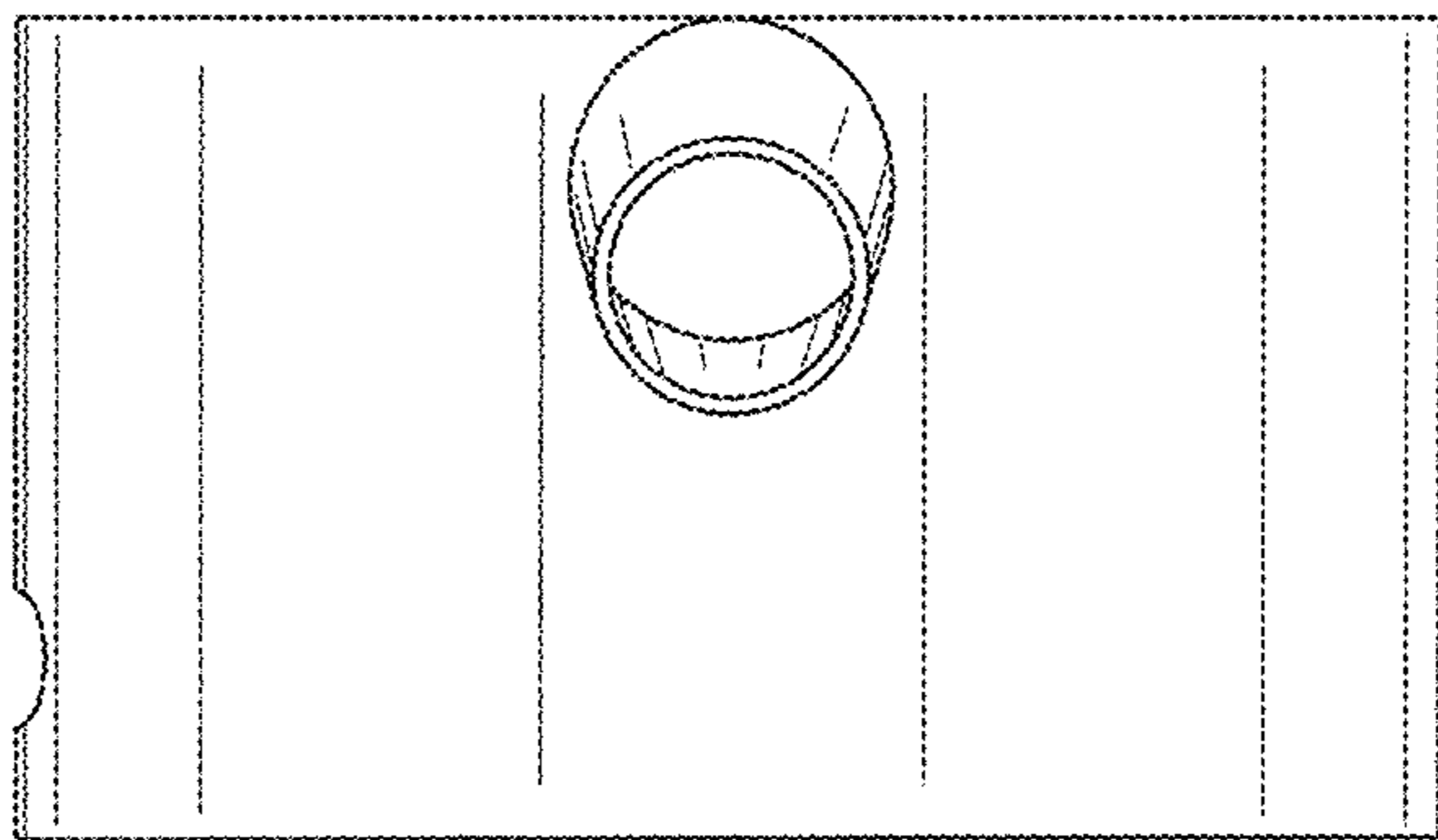


FIG. 7