



US00D799241S

(12) **United States Design Patent** (10) **Patent No.:** **US D799,241 S**
Sublett (45) **Date of Patent:** **** *Oct. 10, 2017**

(54) **DISPOSABLE FLOOR PROTECTOR**

(71) Applicant: **Lynette Sublett**, Stevensville, MD (US)

(72) Inventor: **Lynette Sublett**, Stevensville, MD (US)

(*) Notice: This patent is subject to a terminal disclaimer.

(**) Term: **14 Years**

(21) Appl. No.: **29/515,273**

(22) Filed: **Jan. 21, 2015**

Related U.S. Application Data

(63) Continuation-in-part of application No. 13/412,678, filed on Mar. 6, 2012, now abandoned.

(51) **LOC (10) Cl.** **06-11**

(52) **U.S. Cl.**
USPC **D6/592**

(58) **Field of Classification Search**
USPC D6/582, 583, 584, 585, 586, 587, 588,
D6/589, 590, 592, 596, 609, 617, 619;
D12/203; D32/55, 56, 57; D5/21
CPC A47G 11/00; A47G 27/0206;
A47G 27/0212; A47G 27/0225;
A47G 27/0237; A47G 9/062;
A47L 23/26; A47L 23/266

See application file for complete search history.

(56) **References Cited**

U.S. PATENT DOCUMENTS

2,187,676 A * 1/1940 Biewen A47G 27/0225
15/215
2,771,613 A 11/1956 Markiewicz
4,285,075 A 8/1981 Nelson
D402,841 S * 12/1998 Dobbs D6/582
D414,252 S * 9/1999 Orr D23/309
6,295,658 B1 10/2001 Jenkins

6,446,275 B1 9/2002 Wright et al.
6,763,531 B1 7/2004 Huffman et al.
D506,897 S * 7/2005 Amarin D6/583
D552,910 S * 10/2007 Connor D6/583
D559,026 S * 1/2008 Perry-Coleman D6/592
D642,003 S * 7/2011 Wright D6/592
D658,920 S * 5/2012 Porter D6/583
D734,064 S * 7/2015 Stickler D6/592
2002/0142125 A1 10/2002 Seal
2004/0241391 A1 * 12/2004 Levine A47G 27/0225
428/137
2005/0009425 A1 1/2005 Foote
2005/0223488 A1 * 10/2005 Amarin A47G 27/0225
4/661
2008/0034485 A1 2/2008 McClelland
2009/0077728 A1 3/2009 Garcia
2009/0158512 A1 6/2009 Stickler et al.
2011/0123761 A1 * 5/2011 Wright A47G 27/0206
428/116
2013/0022775 A1 * 1/2013 Dye B32B 5/02
428/80

* cited by examiner

Primary Examiner — Celia Murphy

Assistant Examiner — Clare Ann Gannon

(74) *Attorney, Agent, or Firm* — Robert C. Montgomery;
Montgomery Patent & Design LP

(57) **CLAIM**

The ornamental design for a disposable floor protector, as shown and described.

DESCRIPTION

FIG. 1 is a perspective front view of a disposable floor protector showing my new design;

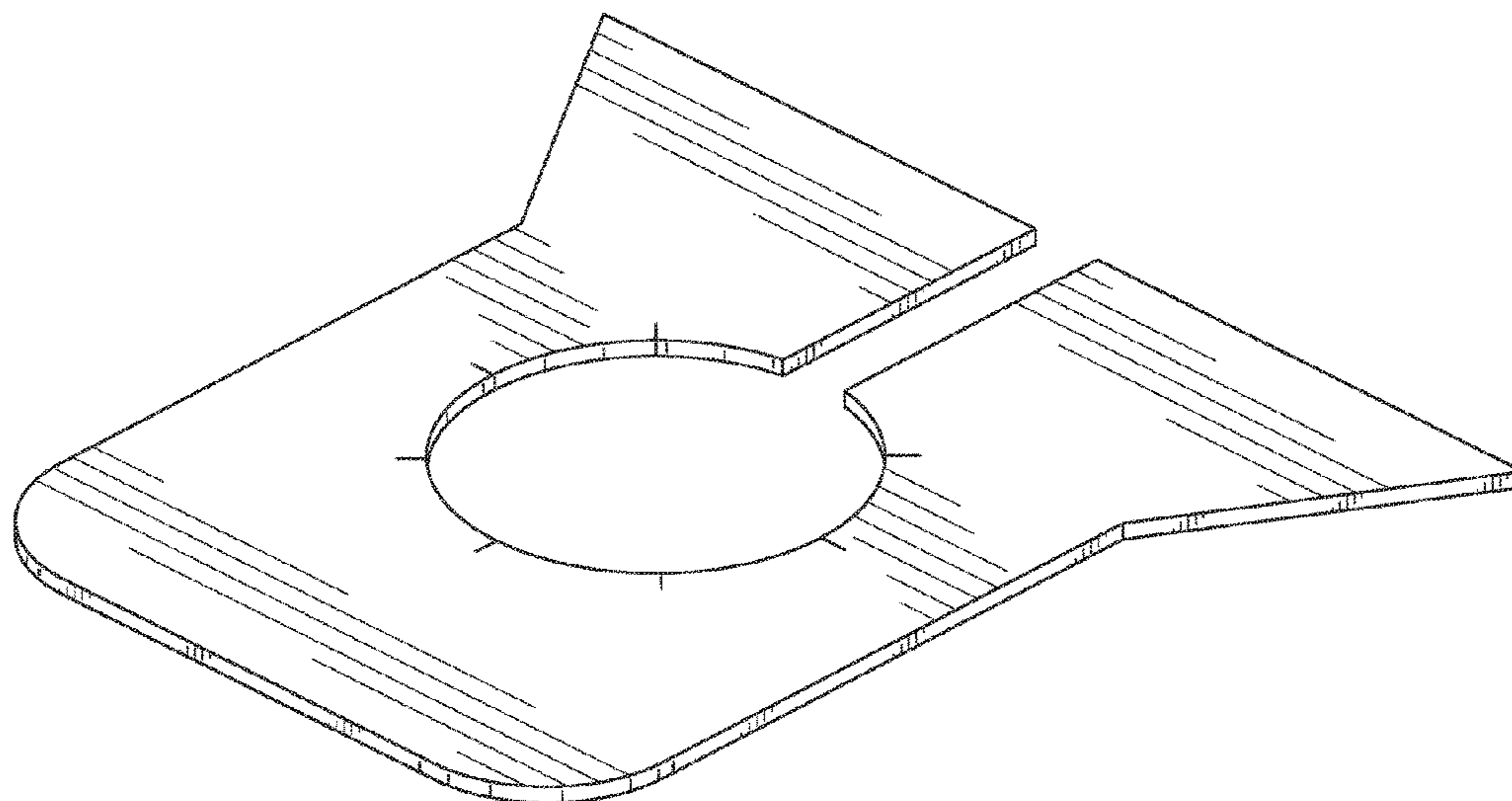
FIG. 2 is a top plan view thereof, the bottom plan view being a mirror image;

FIG. 3 is a front elevational view thereof;

FIG. 4 is a rear elevational view thereof; and,

FIG. 5 is an enlarged right side view thereof, the left side view being a mirror image.

1 Claim, 5 Drawing Sheets



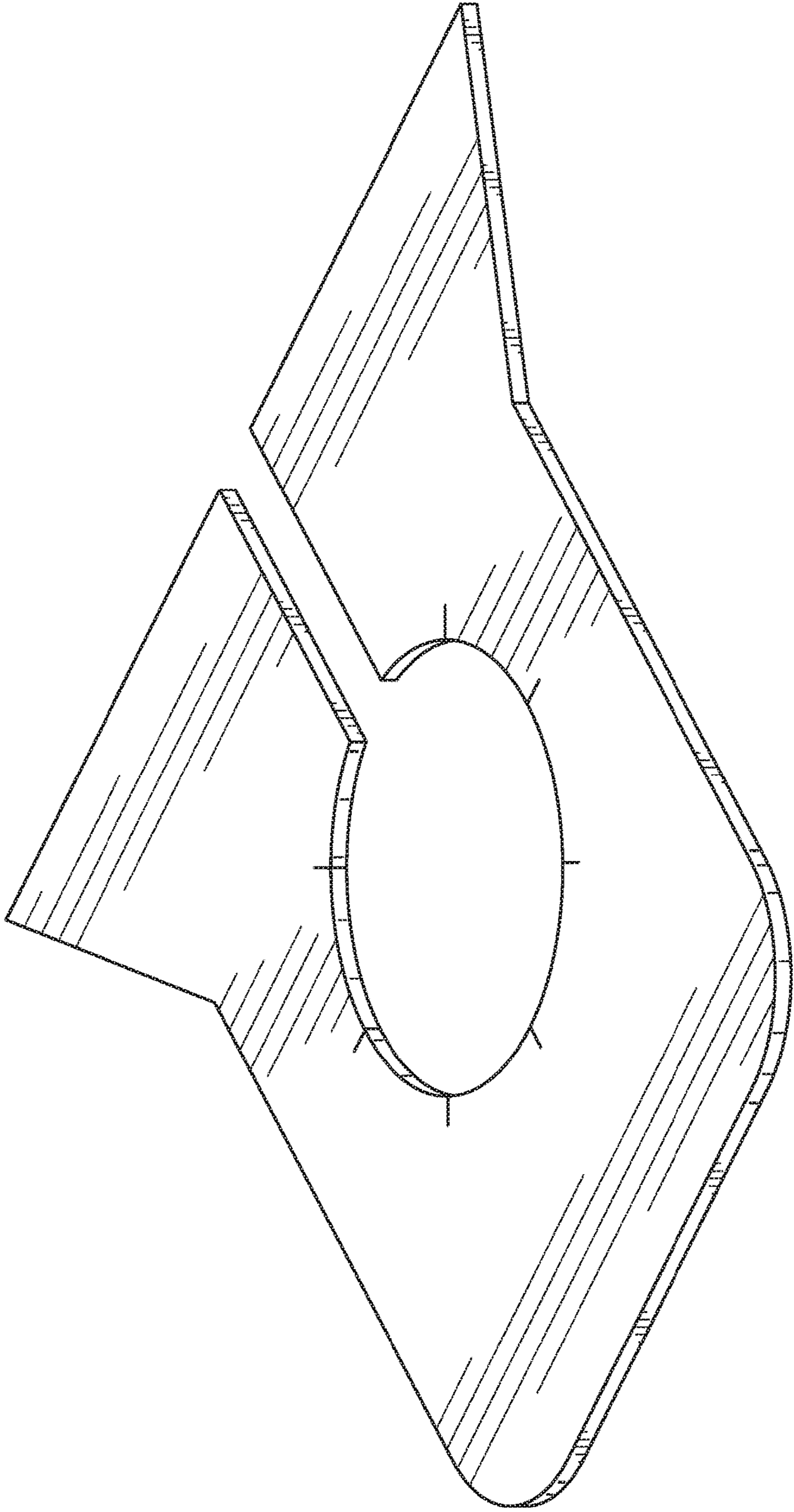


Fig. 1

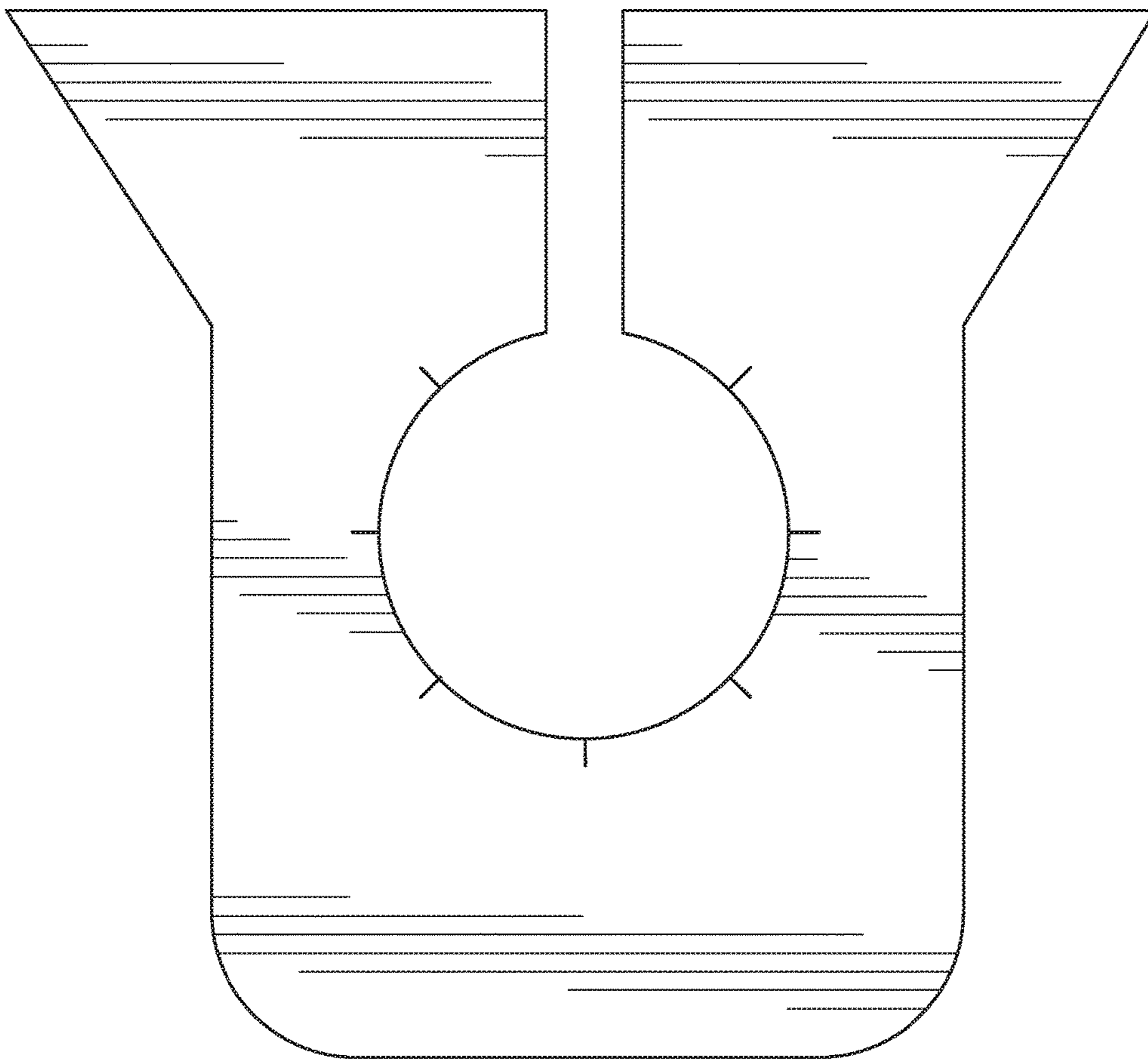


Fig. 2



Fig. 3



Fig. 4



Fig. 5