



US00D799240S

(12) **United States Design Patent** (10) **Patent No.:** **US D799,240 S**
Edwards et al. (45) **Date of Patent:** **** Oct. 10, 2017**

(54) **OVER-THE-DOOR MIRROR**

(56) **References Cited**

(71) Applicant: **LIBERTY HARDWARE MFG. CORP.**, Winston-Salem, NC (US)

(72) Inventors: **Neil Edwards**, Kernersville, NC (US); **Margaret Ann Rider**, Chicago, IL (US); **Adam William Callif**, Chicago, IL (US)

(73) Assignee: **Liberty Hardware Mfg. Corp.**, Winston-Salem, NC (US)

(**) Term: **15 Years**

(21) Appl. No.: **29/577,938**

(22) Filed: **Sep. 16, 2016**

(51) **LOC (10) Cl.** **06-04**

(52) **U.S. Cl.**
USPC **D6/553**

(58) **Field of Classification Search**
USPC D6/553, 300, 321, 524, 525, 534, 566, D6/536, 540, 512-514, 663; D3/304, D3/306; 206/557; 211/13.1, 41.3, 41.4, 211/86.01, 88.01, 134, 126.1, 181.1; 220/485, 488; 248/301, 302; D8/350-353
CPC B60R 1/006; A45D 42/08; A47G 1/00; A47G 1/02; A47G 1/16; A47B 43/003; A47B 97/00; A47B 57/26; A47K 3/281
See application file for complete search history.

U.S. PATENT DOCUMENTS

D588,815 S *	3/2009	Ghiorghie	D3/304
D616,680 S *	6/2010	Snider	D6/513
D650,209 S *	12/2011	Snider	D6/513
D702,969 S *	4/2014	Margulis	D6/513

* cited by examiner

Primary Examiner — Wan Laymon
Assistant Examiner — Mark Booker

(74) *Attorney, Agent, or Firm* — Lora J. Graentzdoerffer

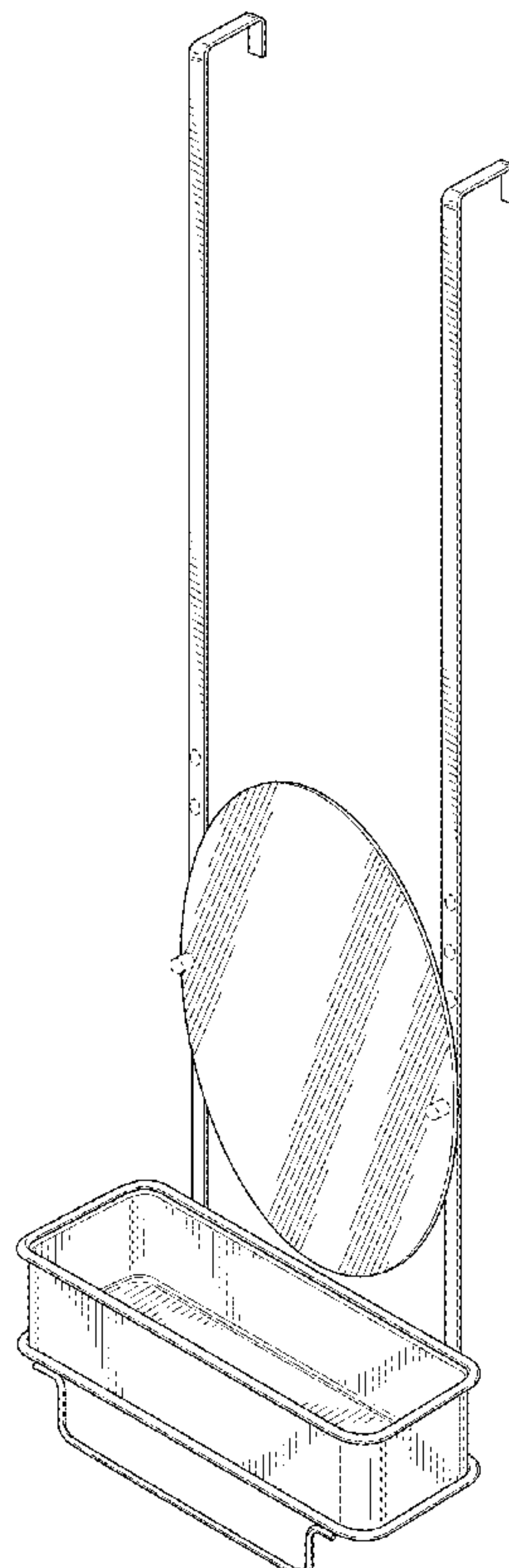
(57) **CLAIM**

The ornamental design for an over-the-door mirror, as shown and described.

DESCRIPTION

FIG. 1 is a perspective view of an over-the-door mirror showing our design;
 FIG. 2 is a front elevation view;
 FIG. 3 is a rear elevation view;
 FIG. 4 is a side elevation view;
 FIG. 5 is a top plan view; and,
 FIG. 6 is a bottom plan view.
 The broken-line disclosure in the views represents portions of the over-the-door mirror in which the claimed design is embodied, but which form no part of the claimed design.

1 Claim, 5 Drawing Sheets



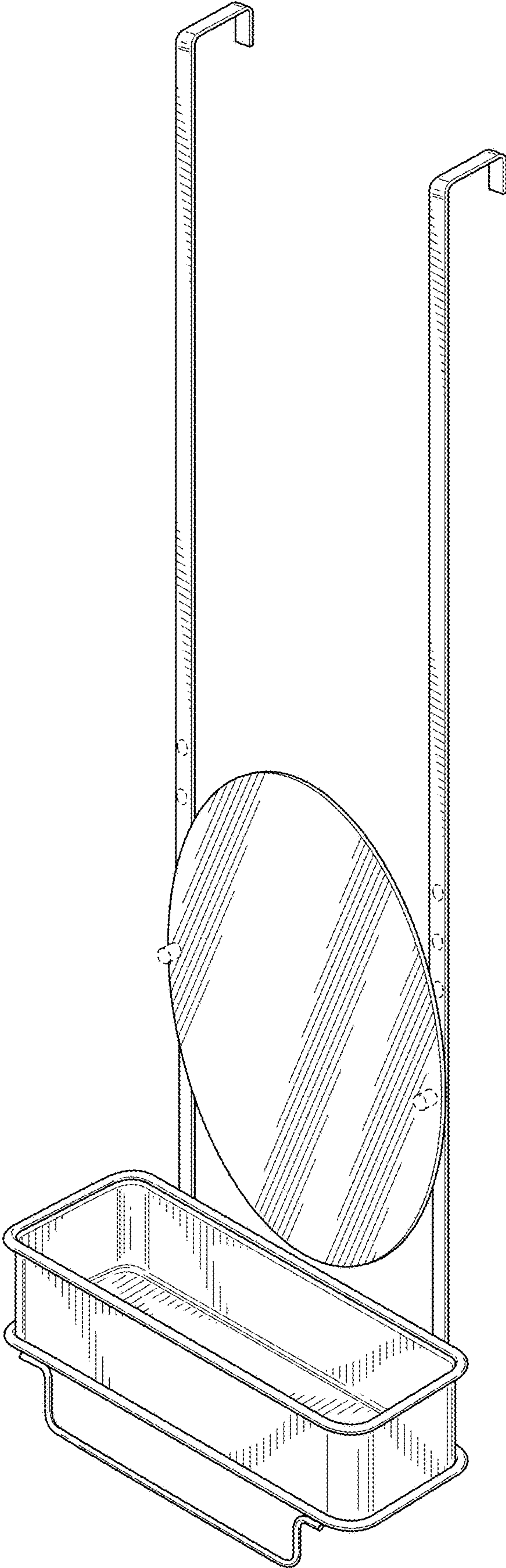


FIG. 1

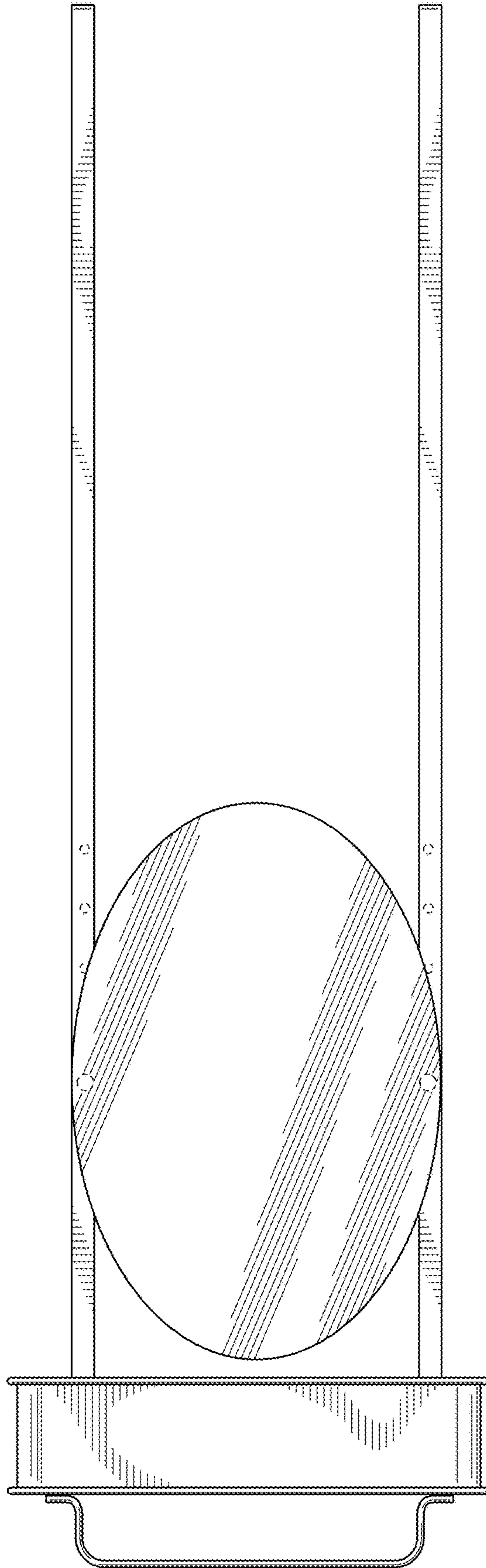


FIG. 2

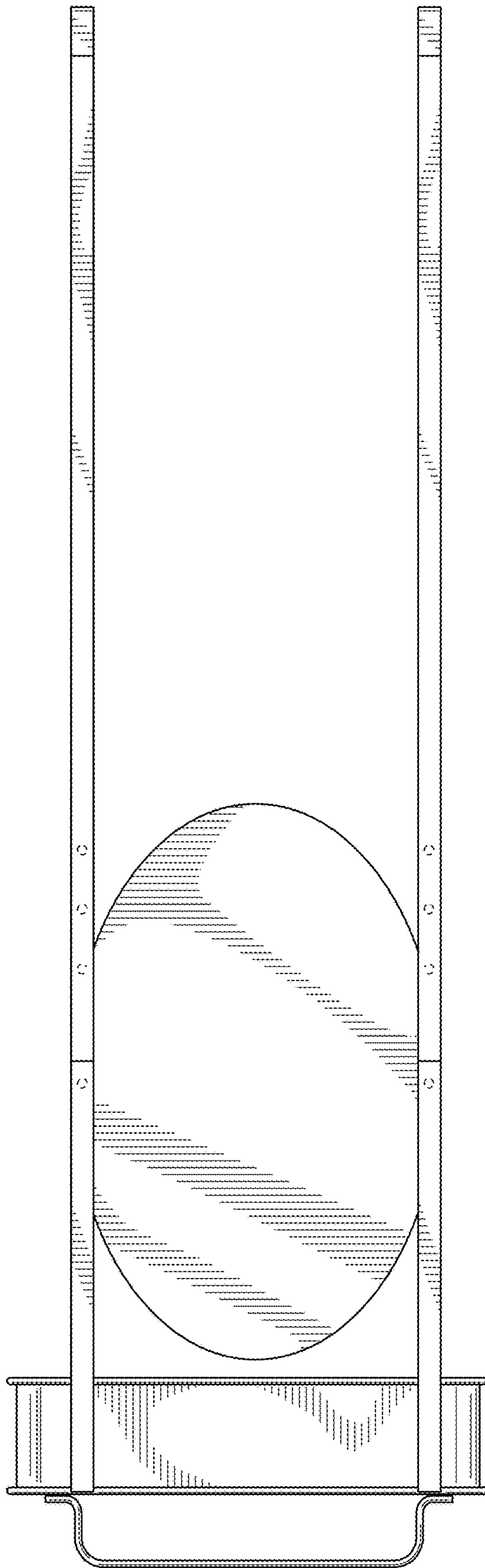


FIG. 3

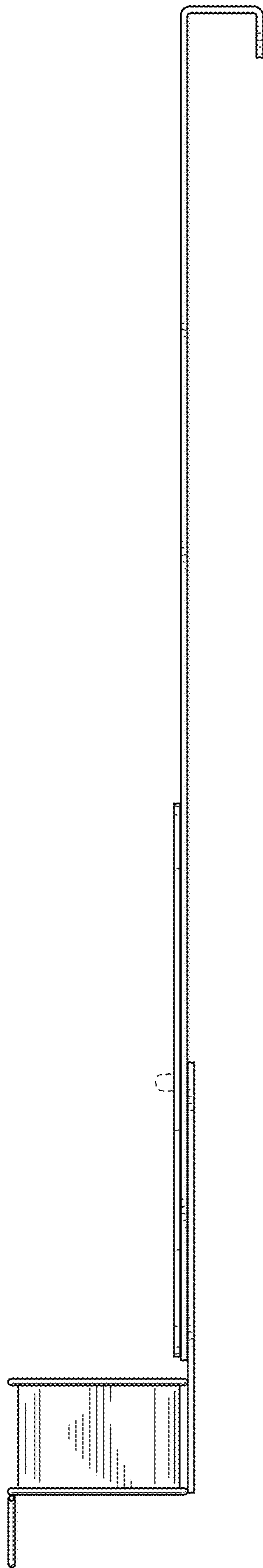


FIG. 4

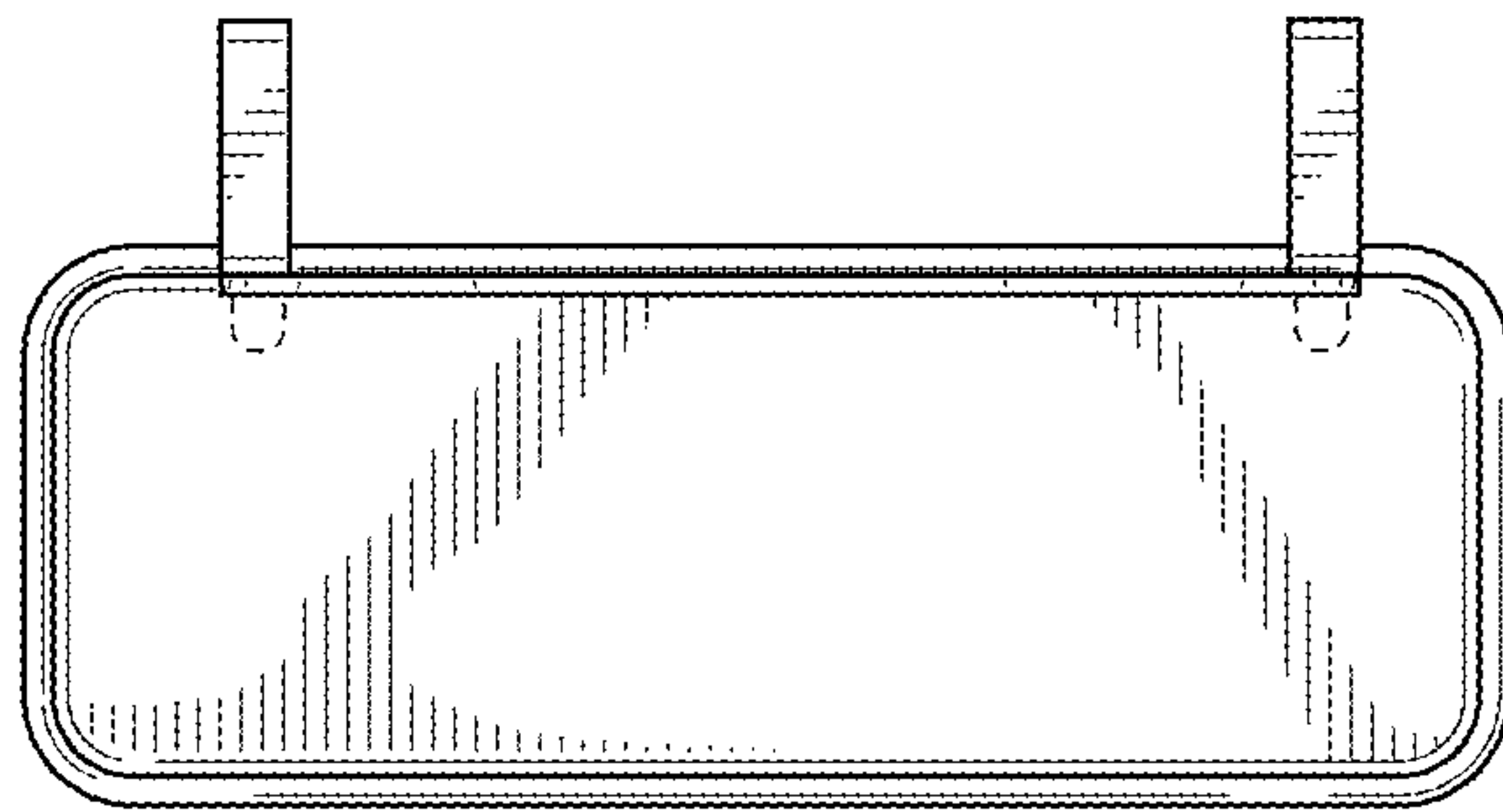


FIG. 5

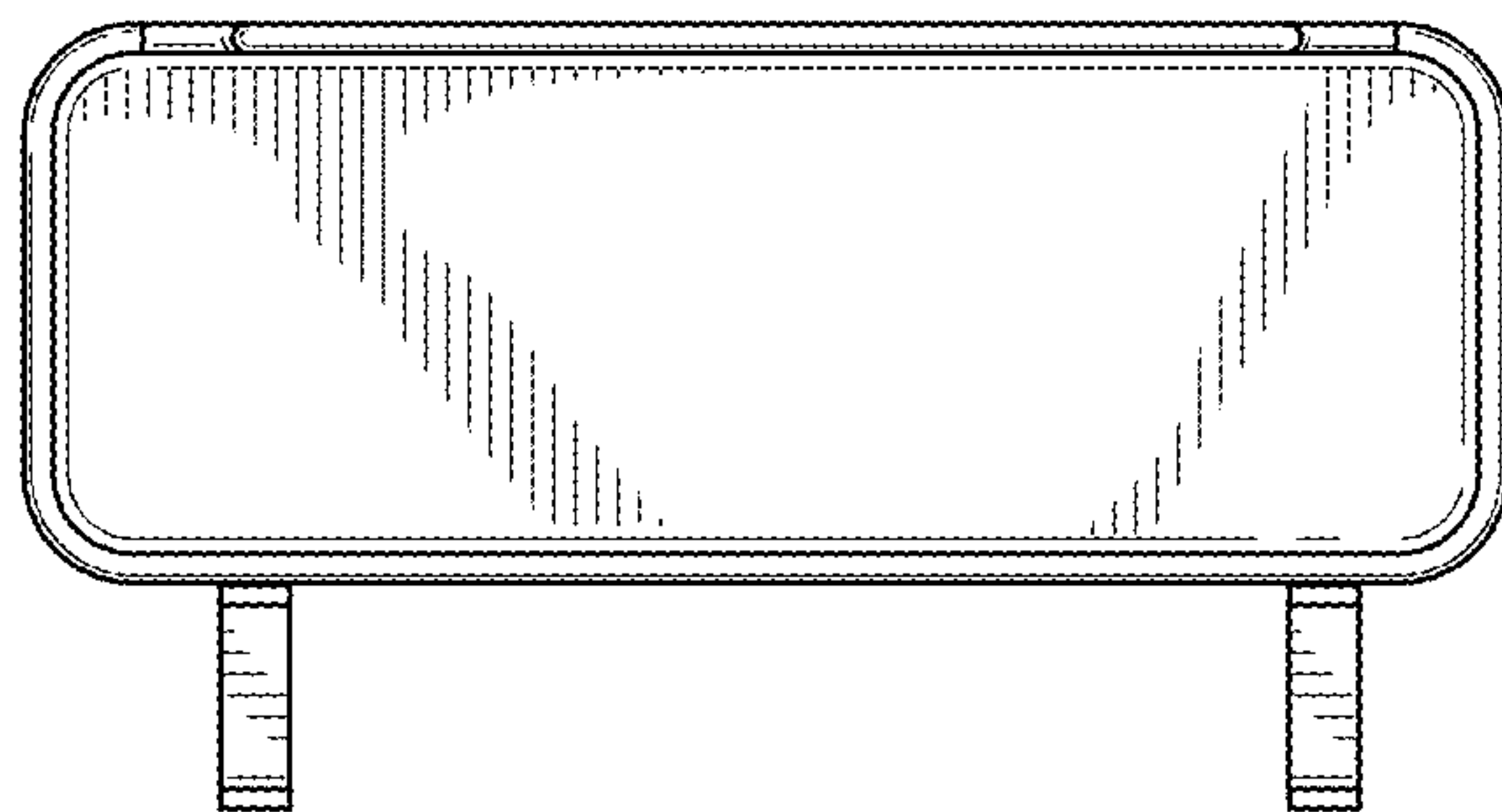


FIG. 6