

US00D799237S

(12) **United States Design Patent**
Roll

(10) **Patent No.:** **US D799,237 S**

(45) **Date of Patent:** **** Oct. 10, 2017**

(54) **MAT FOR TOILET PLUNGER**

(71) Applicant: **Honor Rene'e Roll**, Trussville, AL
(US)

(72) Inventor: **Honor Rene'e Roll**, Trussville, AL
(US)

(**) Term: **15 Years**

(21) Appl. No.: **29/569,543**

(22) Filed: **Jun. 28, 2016**

(51) **LOC (10) Cl.** **06-04**

(52) **U.S. Cl.**
USPC **D6/551**

(58) **Field of Classification Search**

USPC D6/551, 582, 583, 574, 592, 596, 611,
D6/612, 515, 516, 536; D7/368, 500,
D7/587, 607, 624.1; D23/296; D24/186
CPC E03C 1/30; A47K 11/02; A47K 17/00;
A47G 1/06; A47L 15/505

See application file for complete search history.

(56) **References Cited**

U.S. PATENT DOCUMENTS

D268,394 S * 3/1983 MacEwen D9/454
D712,496 S * 9/2014 Muller D21/791
D753,832 S * 4/2016 Lin D24/186
D755,576 S * 5/2016 Mayer D7/624.1

D773,857 S * 12/2016 Morris D6/592

* cited by examiner

Primary Examiner — Wan Laymon

Assistant Examiner — Mark Booker

(57) **CLAIM**

The ornamental design for a mat for toilet plunger, as shown and described.

DESCRIPTION

The U.S. patent application Ser. No. 15/174,768, filed Jun. 6, 2016, is hereby incorporated by reference.

FIG. 1 is an exploded perspective view of the mat for toilet plunger according to one embodiment of my new design;

FIG. 2 is a top plan view thereof;

FIG. 3 is a front elevation view thereof, the back, left side, and right side elevation views being the same;

FIG. 4 is a bottom plan view thereof; and

FIG. 5 is a center section view thereof.

FIG. 6 is an exploded perspective view of the mat for toilet plunger according to a second embodiment of my new design;

FIG. 7 is a top plan view thereof;

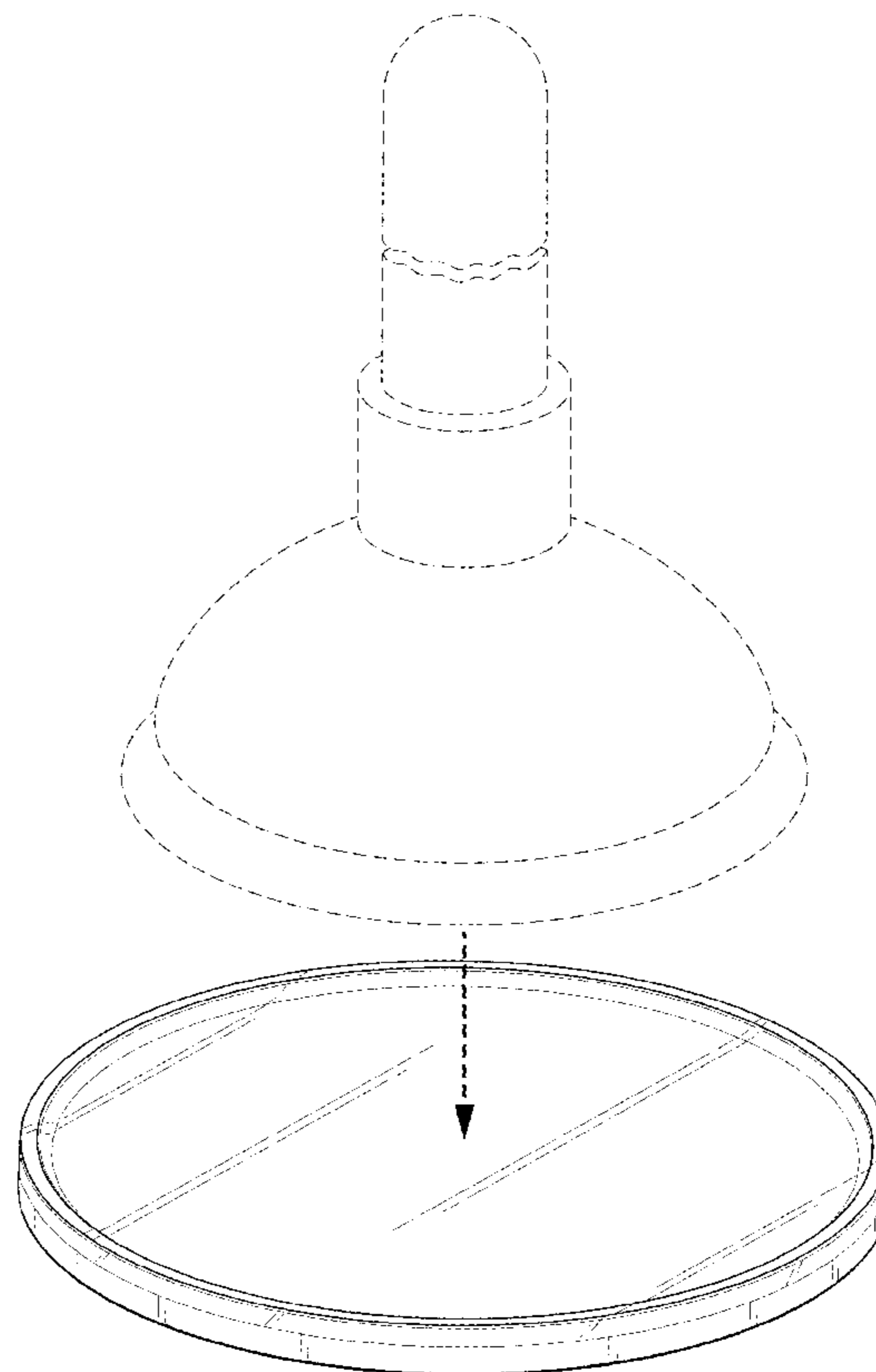
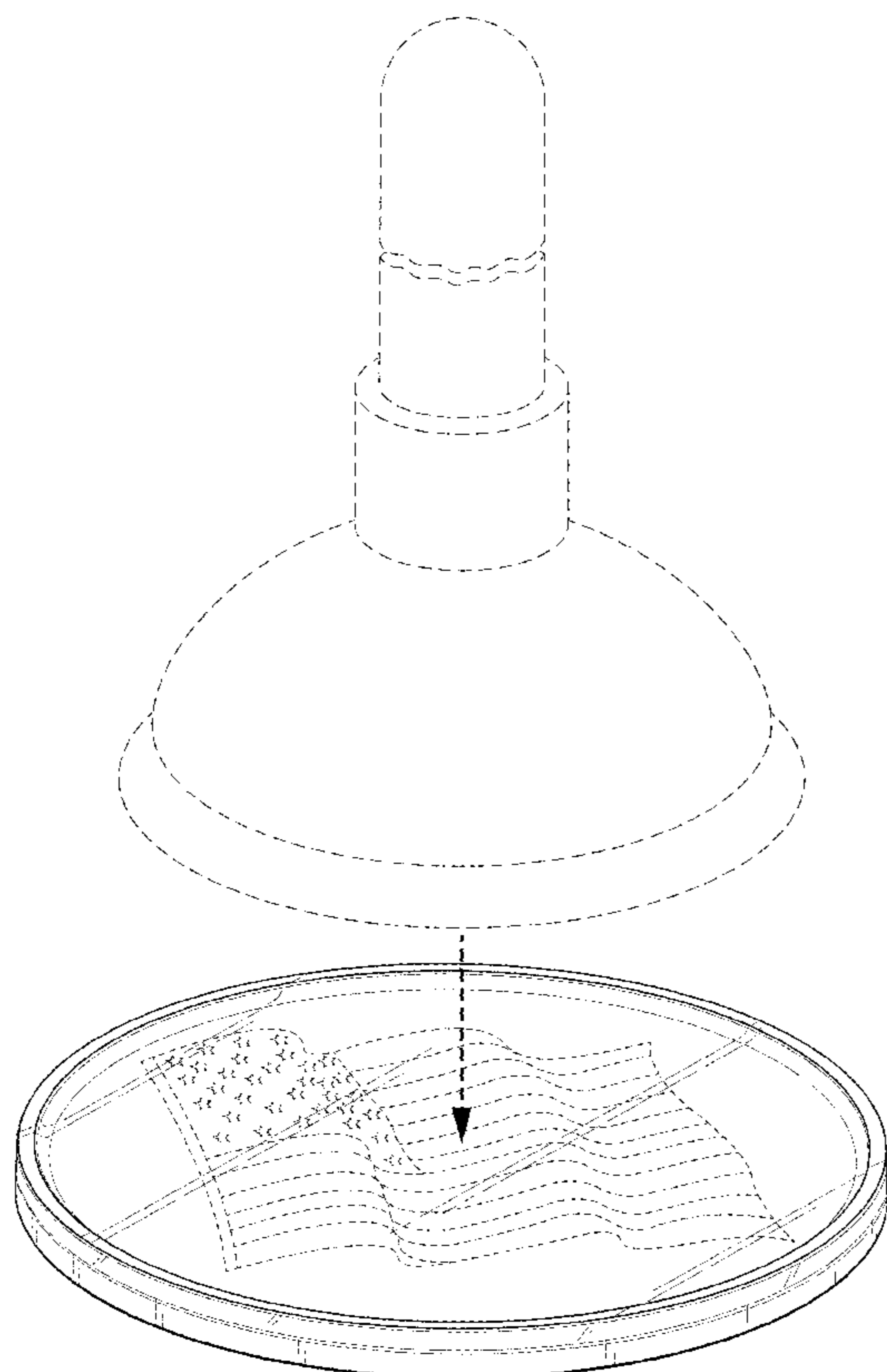
FIG. 8 is a front elevation view thereof, the back, left side, and right side elevation views being the same;

FIG. 9 is a bottom plan view thereof; and,

FIG. 10 is a center section view thereof.

The dashed lines shown in the drawings illustrate environmental structure and form no part of the claimed design.

1 Claim, 6 Drawing Sheets



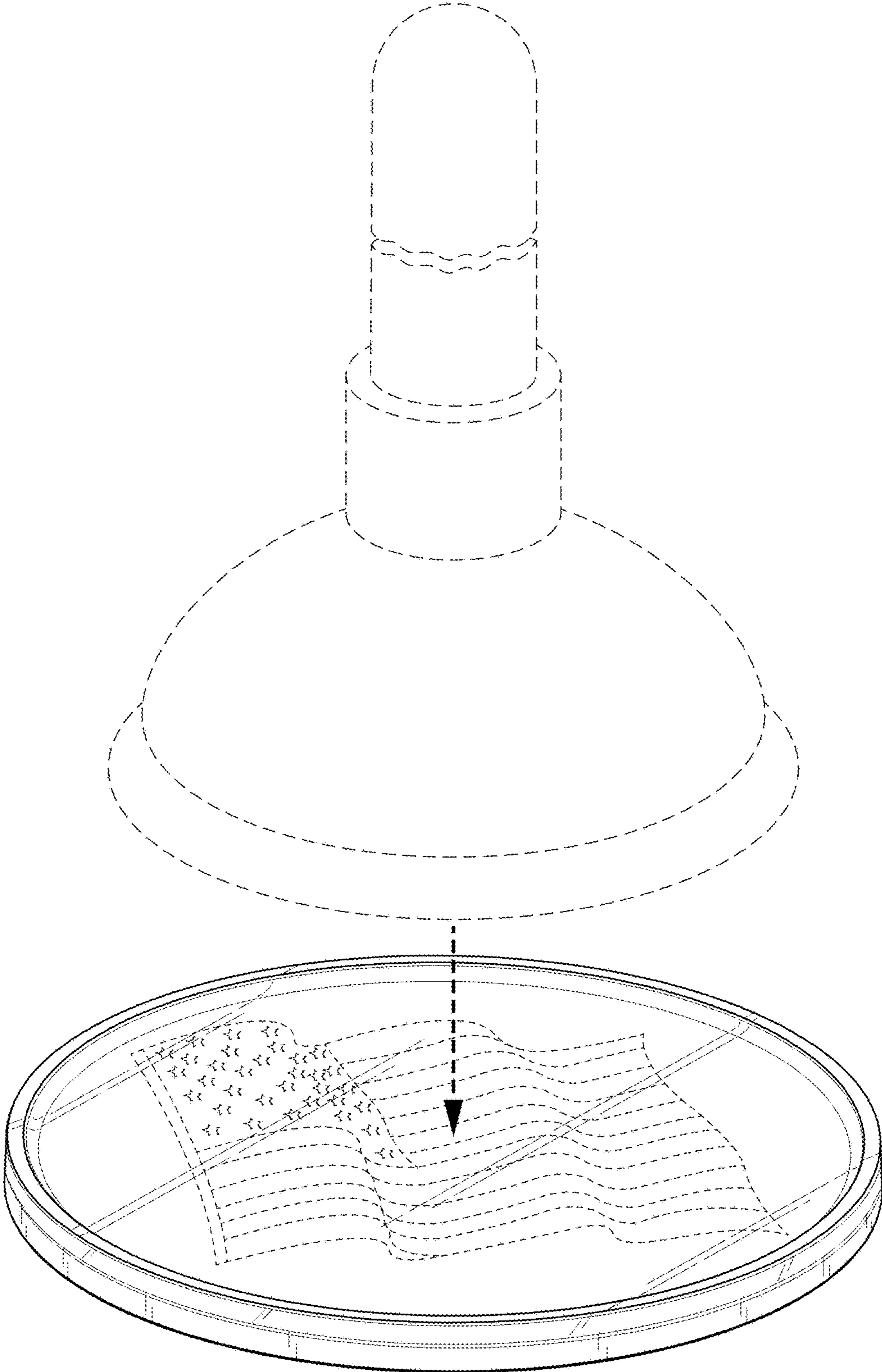


FIG. 1



FIG. 2

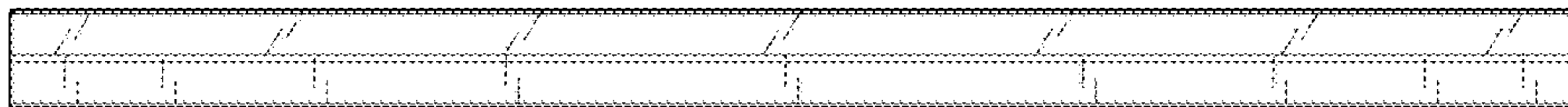


FIG. 3

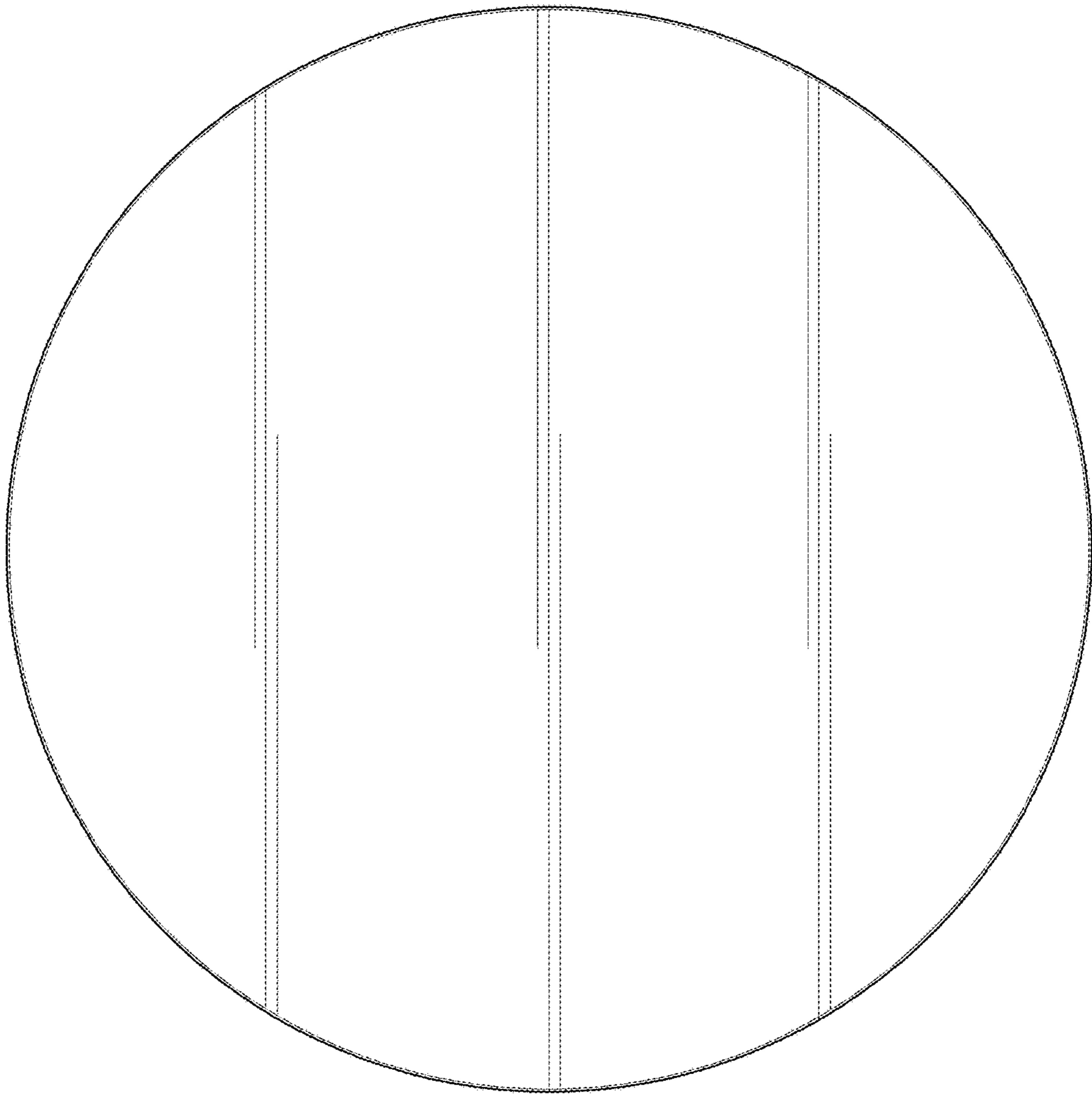


FIG. 4

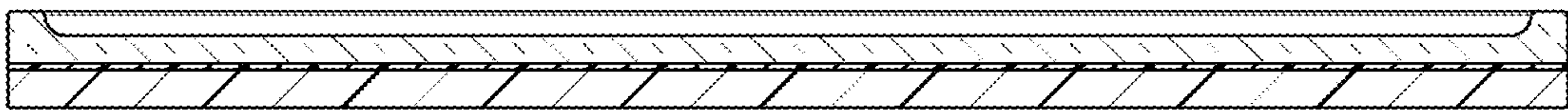


FIG. 5

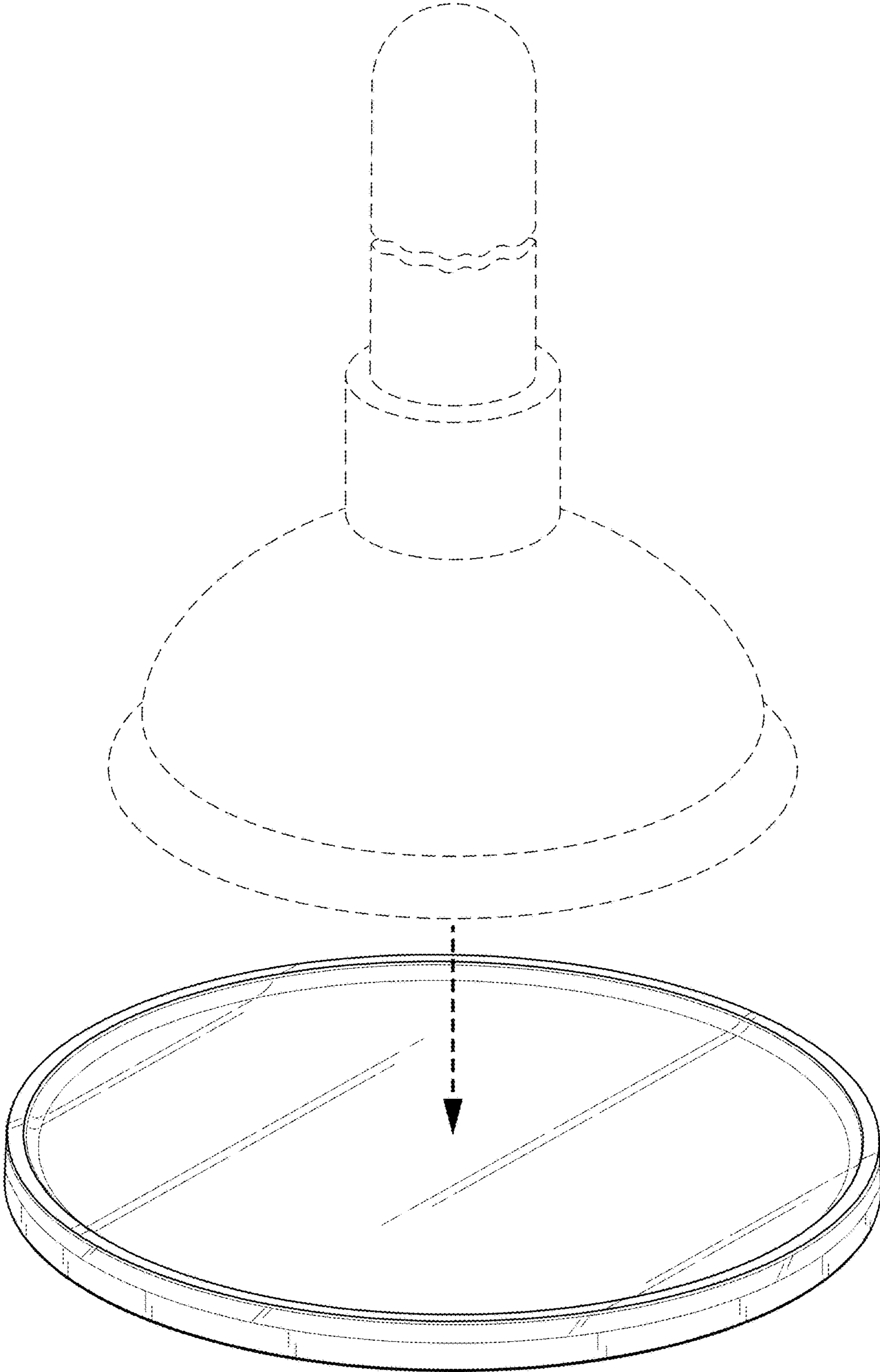


FIG. 6

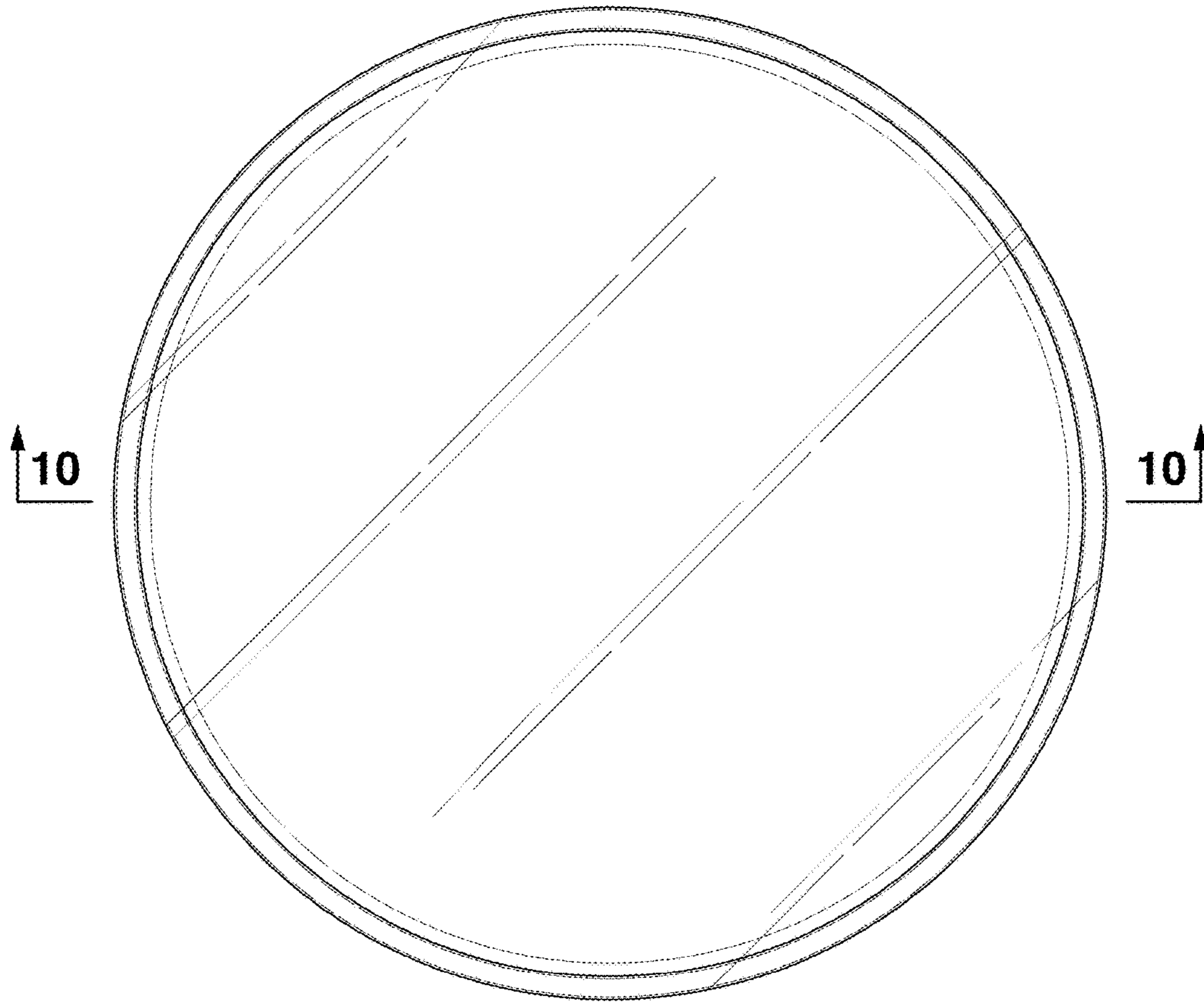


FIG. 7

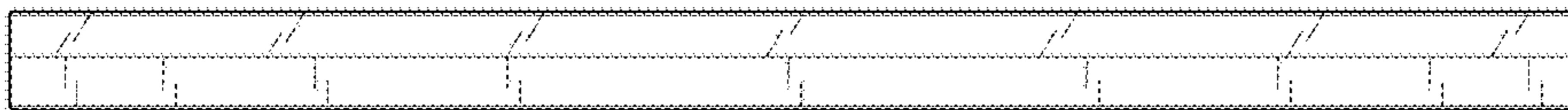


FIG. 8

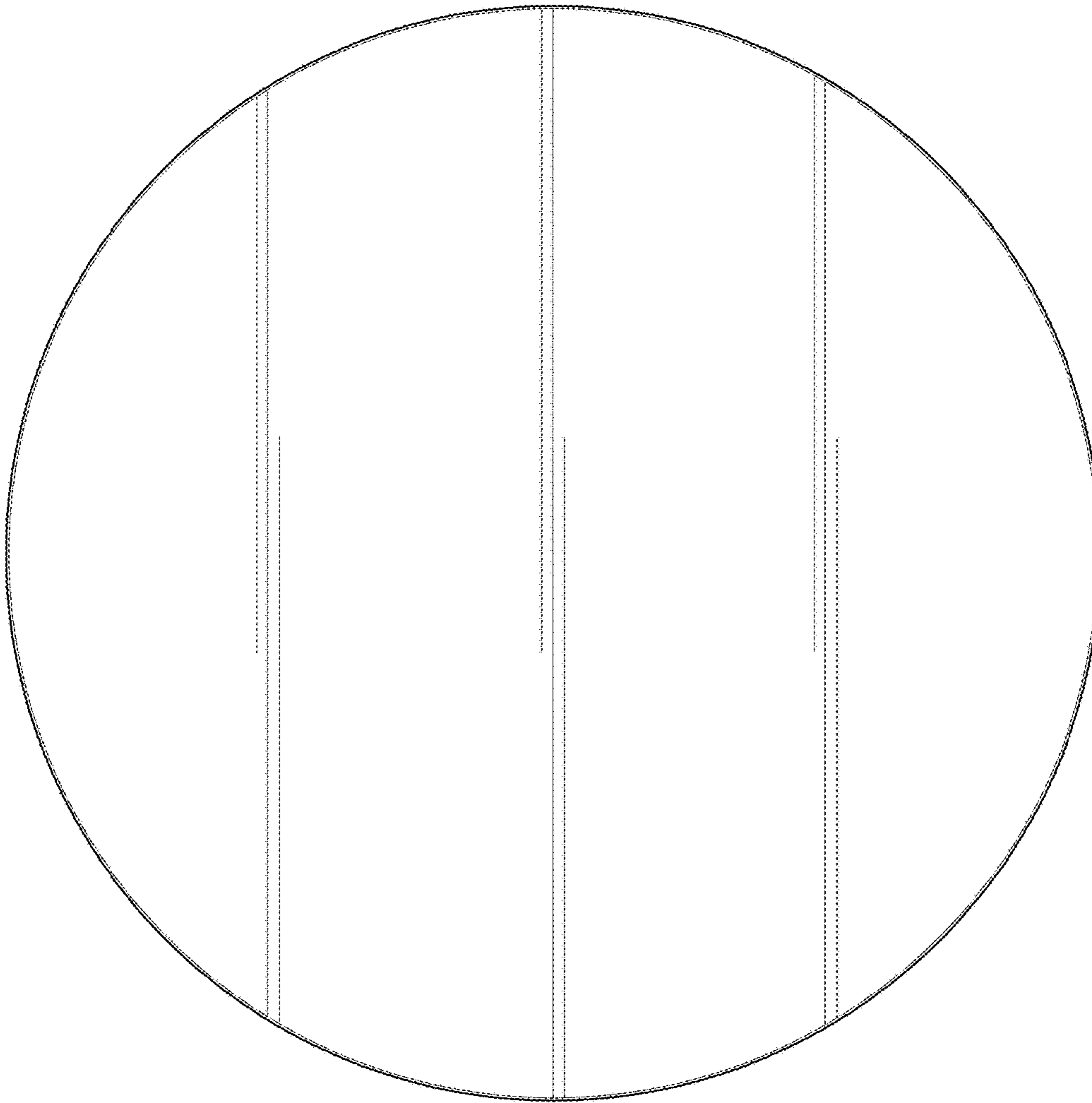


FIG. 9

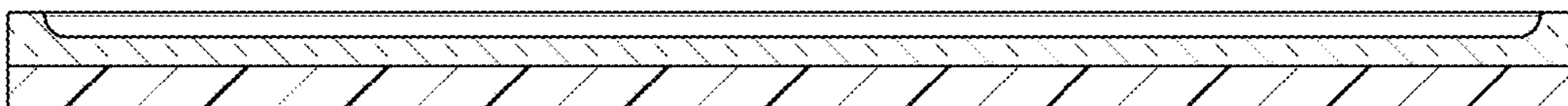


FIG. 10