



US00D799235S

(12) **United States Design Patent**
Madsen

(10) **Patent No.:** **US D799,235 S**

(45) **Date of Patent:** **** Oct. 10, 2017**

(54) **DISPENSER**

- (71) Applicant: **Georgia-Pacific Consumer Products LP**, Atlanta, GA (US)
- (72) Inventor: **Nickolas Everett Madsen**, Atlanta, GA (US)
- (73) Assignee: **Georgia-Pacific Consumer Products LP**, Atlanta, GA (US)

(**) Term: **15 Years**

(21) Appl. No.: **29/578,913**

(22) Filed: **Sep. 26, 2016**

Related U.S. Application Data

- (63) Continuation-in-part of application No. 29/539,546, filed on Sep. 15, 2015, now Pat. No. Des. 767,297.
- (51) **LOC (10) Cl.** **20-02**
- (52) **U.S. Cl.**
USPC **D6/518**
- (58) **Field of Classification Search**
USPC D6/515-523, 545; 206/225, 233, 389, 206/391, 77.1; 211/13.1, 173, 180, 45, 211/86.01, 87.02, 87.01; 221/26, 33, 282, 221/283, 14, 92, 105; 222/173, 180, 222/281-282; 242/570, 590; 248/309.1, 248/309.2, 904
CPC A47K 10/424; A47K 10/42; A47K 10/24
See application file for complete search history.

(56) **References Cited**

U.S. PATENT DOCUMENTS

D156,646 S	12/1949	Mell	
2,560,061 A	7/1951	Agamaite, Jr.	
D312,179 S	11/1990	De Luca et al.	
D312,184 S *	11/1990	De Luca	D6/542
D312,369 S	11/1990	De Luca et al.	
D314,045 S *	1/1991	DeLuca	D23/366
D363,628 S	10/1995	McCanless	

(Continued)

OTHER PUBLICATIONS

Amazon.com: Georgia Pacific Enmotion 59488 Impulse 10 Automated Touchless Paper Towel Dispenser, Translucent Smoke: Industrial & Scientific [online][retrieved Dec. 14, 2015]. Retrieved from the Internet: <URL: http://www.amazon.com/59488-automated-touchless-dispenser-translucent/dp/b00321rhza/ref=pd_sim_328_4?ie=UTF8&dpID=4IDC-4wkQtL&dpSrc=si> 6 pages.

(Continued)

Primary Examiner — David Muller

Assistant Examiner — Nathan Johnston

(74) *Attorney, Agent, or Firm* — Alston & Bird LLP

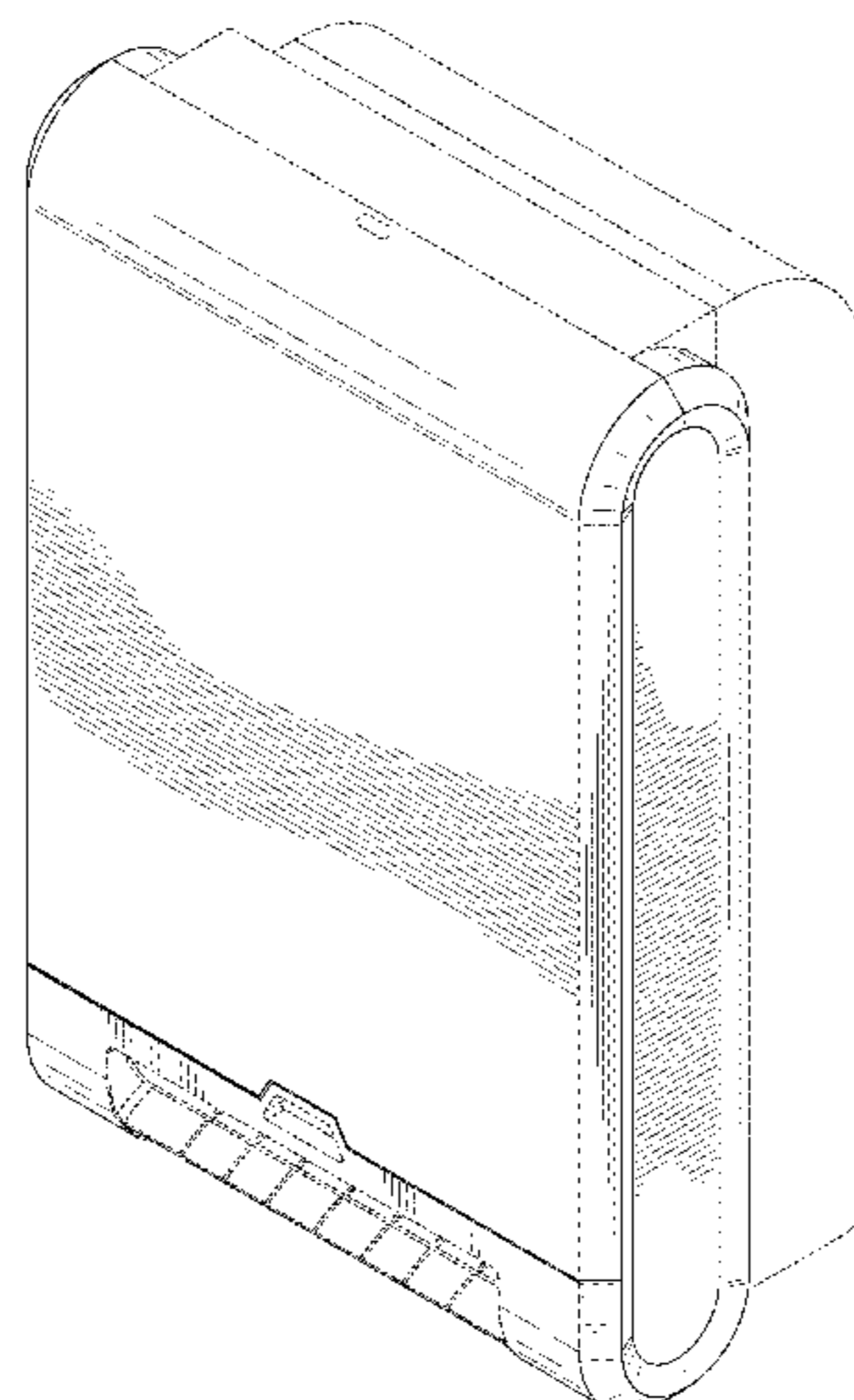
(57) **CLAIM**

I claim the ornamental design for a dispenser, as shown and described.

DESCRIPTION

FIG. 1 is a perspective view of a dispenser showing my new design;
 FIG. 2 is a front elevation view thereof;
 FIG. 3 is a rear elevation view thereof;
 FIG. 4 is a left side elevation view thereof;
 FIG. 5 is a right side elevation view thereof;
 FIG. 6 is a top plan view thereof;
 FIG. 7 is a bottom plan view thereof;
 FIG. 8 is a perspective view of another embodiment of a dispenser showing my new design;
 FIG. 9 is a front elevation view thereof;
 FIG. 10 is a rear elevation view thereof;
 FIG. 11 is a left side elevation view thereof;
 FIG. 12 is a right side elevation view thereof;
 FIG. 13 is a top plan view thereof; and,
 FIG. 14 is a bottom plan view thereof.
 The broken lines are directed to unclaimed features and form no part of the claimed design.

1 Claim, 12 Drawing Sheets



(56)

References Cited

OTHER PUBLICATIONS

U.S. PATENT DOCUMENTS

D365,713 S * 1/1996 Chen D6/522
 D387,597 S 12/1997 Kearnes
 D427,468 S 7/2000 Morand
 6,105,898 A 8/2000 Byrd et al.
 D441,228 S 5/2001 Andersson
 D441,578 S 5/2001 Andersson
 D446,065 S 8/2001 Andersson
 D447,372 S 9/2001 Fisscher
 D447,373 S 9/2001 Fisscher
 D447,657 S 9/2001 Fisscher
 D447,658 S 9/2001 Fisscher
 D447,898 S 9/2001 Fisscher
 D448,223 S 9/2001 Fisscher
 D450,963 S 11/2001 Phelps et al.
 6,412,679 B2 7/2002 Formon et al.
 6,446,901 B1 9/2002 Haen et al.
 6,460,798 B1 10/2002 Haen et al.
 6,695,246 B1 2/2004 Elliott et al.
 6,903,654 B2 6/2005 Hansen et al.
 6,977,588 B2 12/2005 Schotz et al.
 D522,781 S 6/2006 Wieser et al.
 D525,063 S 7/2006 Woods et al.
 D525,465 S 7/2006 Omdoll et al.
 D530,125 S 10/2006 Vignot
 D546,603 S 7/2007 Cittadino et al.
 D551,476 S 9/2007 Cittadino et al.
 D568,655 S 5/2008 Friesen et al.
 D570,142 S 6/2008 Lin
 D579,250 S 10/2008 Cittadino et al.
 D583,174 S 12/2008 Kuehneman et al.
 D615,329 S * 5/2010 Meyerhoffer D6/518
 D619,835 S 7/2010 Goeking et al.
 D619,836 S 7/2010 Kim
 D619,838 S 7/2010 Kim
 D620,733 S 8/2010 Denis et al.
 D623,452 S 9/2010 McNeely et al.
 D634,953 S 3/2011 Meyerhoffer
 D641,578 S 7/2011 Meyerhoffer
 D641,740 S 7/2011 Jeon et al.
 D644,468 S 9/2011 Hansen
 D654,741 S 2/2012 Hansen
 D655,962 S 3/2012 Cittadino
 D664,795 S 8/2012 Cattacin et al.
 D664,796 S 8/2012 Cattacin et al.
 D666,035 S 8/2012 Velazquez et al.
 D674,223 S 1/2013 Green et al.
 D675,047 S 1/2013 Green et al.
 D677,085 S * 3/2013 Velazquez D6/518
 D681,987 S 5/2013 Cittadino et al.
 D687,651 S 8/2013 Niada
 D695,542 S 12/2013 Niada
 D699,048 S 2/2014 Paal et al.
 D701,057 S 3/2014 Cittadino et al.
 D711,663 S 8/2014 Walters
 D719,373 S 12/2014 Hawry et al.
 D727,652 S 4/2015 Sun Ting Kung et al.
 D766,612 S * 9/2016 Roche D6/518
 D767,297 S * 9/2016 Madsen D6/515
 D768,405 S * 10/2016 Patterson D6/545
 D768,407 S 10/2016 Patterson et al.
 D773,202 S * 12/2016 Madsen D6/518
 D775,849 S * 1/2017 Brickl D6/518
 D781,067 S * 3/2017 Cross D6/520
 2007/0194166 A1 * 8/2007 Reinsel A47K 10/36
 2008/0008865 A1 1/2008 Luu et al.
 2012/0085780 A1 4/2012 Landauer
 2014/0253334 A1 9/2014 Hanlin et al.
 2015/0157177 A1 6/2015 Carper et al.
 2016/0374519 A1 * 12/2016 Murphy A47K 5/1217
 222/23

Cormatic® Roll Towels & Dispensers[online] [retrieved Dec. 14, 2015]. Retrieved from the Internet: <URL: <http://catalog.gppro.com/catalog/6172>> 1 page.
enMotion® Automated paper Towel Dispensers [online][retrieved Dec. 14, 2015]. Retrieved from the Internet: <URL: <http://catalog.gppro.com/catalog/6191>> 1 page.
enMotion® Classic Wall Mount Towel Dispensers[online][retrieved Dec. 14, 2015]. Retrieved from the Internet: <URL: <http://catalog.gppro.com/catalog/6387?filter=FULL>> 2 pages.
enMotion® paper towel loading and roll transfer—YouTube[online][retrieved Dec. 14, 2015]. Retrieved from the Internet: <URL: <http://www.youtube.com/watch?v=YbDESkv45BA>> (Dec. 14, 2015) 1 page.
enMotion—Brands—Georgia-Pacific Professional [online][retrieved Dec. 14, 2015]. Retrieved from the Internet: <URL: http://www.gppro.com/brand_enmotion.aspx> 2 pages.
Georgia pacific paper towel dispenser—Google Search [online][retrieved Mar. 9, 2016]. Retrieved from the Internet: <URL: https://www.google.com/search?q=georgia+pacific+paper+towel+dispenser&source=lnms&tbm=isch&sa=X&ved=0ahUKEwiD4_HlqLTLAhWJWSYKHStmDxsQ_AUICSgD> 4 pages.
Georgia-Pacific 58470 SofPull® Automatic Touchless Paper Towel Dispenser: Amazon.com: Electronics[online] [retrieved Dec. 14, 2015]. Retrieved from the Internet: <URL: <http://www.amazon.com/Georgia-Pacific-SofPull%C2%AE-Automatic-Touchless-Dispenser/dp/B004MDM3NS>> 8 pages.
Georgia-Pacific GP 56650/01 Translucent Smoke Combination C-Fold or Multifold Paper Towel Dispenser, 11"Width×15.4" Height ×5.25" Depth [online][retrieved Mar. 8, 2016]. Retrieved from the Internet: <URL: http://www.amazon.com/Georgia-Pacific-56650-01-Translucent-Combination/dp/B01BF6D8W4/ref=sr_1_1?ie=UTF8&qid=1457468164&sr=8-1&keywords=Georgia-Pacific+GP+56650%2F01+Translucent+Smoke+Combination+C-Fold> 8 pages.
Georgia-Pacific® GEP58470 SofPull® Automatic Touchless paper Towel Dispenser, Staples® [online][retrieved Dec. 14, 2015]. Retrieved from the Internet: <URL: http://www.staples.com/Georgia-Pacific-GEP58470-SofPull-Automatic-Touchless-Paper-Towel-Dispenser/product_832178> 7 pages.
 Notice of Allowance for corresponding U.S. Appl. No. 29/539,546 dated Jun. 16, 2016.
 Notice of Allowance for corresponding U.S. Appl. No. 29/539,547 dated Jul. 28, 2016.
 Office Action for corresponding U.S. Appl. No. 29/539,546 dated Apr. 26, 2016.
 Office Action for corresponding U.S. Appl. No. 29/539,547 dated Feb. 10, 2016.
SofPull® Automated Towel Dispenser for Dental Practices—YouTube[online] [retrieved Dec. 14, 2015]. Retrieved from the Internet: <URL: <http://www.youtube.com/watch?v=ER3jegDg9og>> (Aug. 3, 2015) 1 page.
 Linha Dispensers [online] [retrieved Apr. 12, 2017]. Retrieved from the Internet: <URL: http://www.mepsol.com.br/1_dispensers.html>. (undated) 1 page.
 Dispenser [online] [retrieved Apr. 12, 2017]. Retrieved from the Internet: <URL: <http://www.mepsol.com.br/images/dispenser01.png>>. (undated) 1 page.
 Cision PR Newswire.com, GP PRO Unveils New Pacific Blue Ultra Brand, Aug. 16, 2016, <http://www.prnewswire.com/news-release/gp-prounveils-new-pacific-blue-ultra-brand-30031477.html>.

* cited by examiner

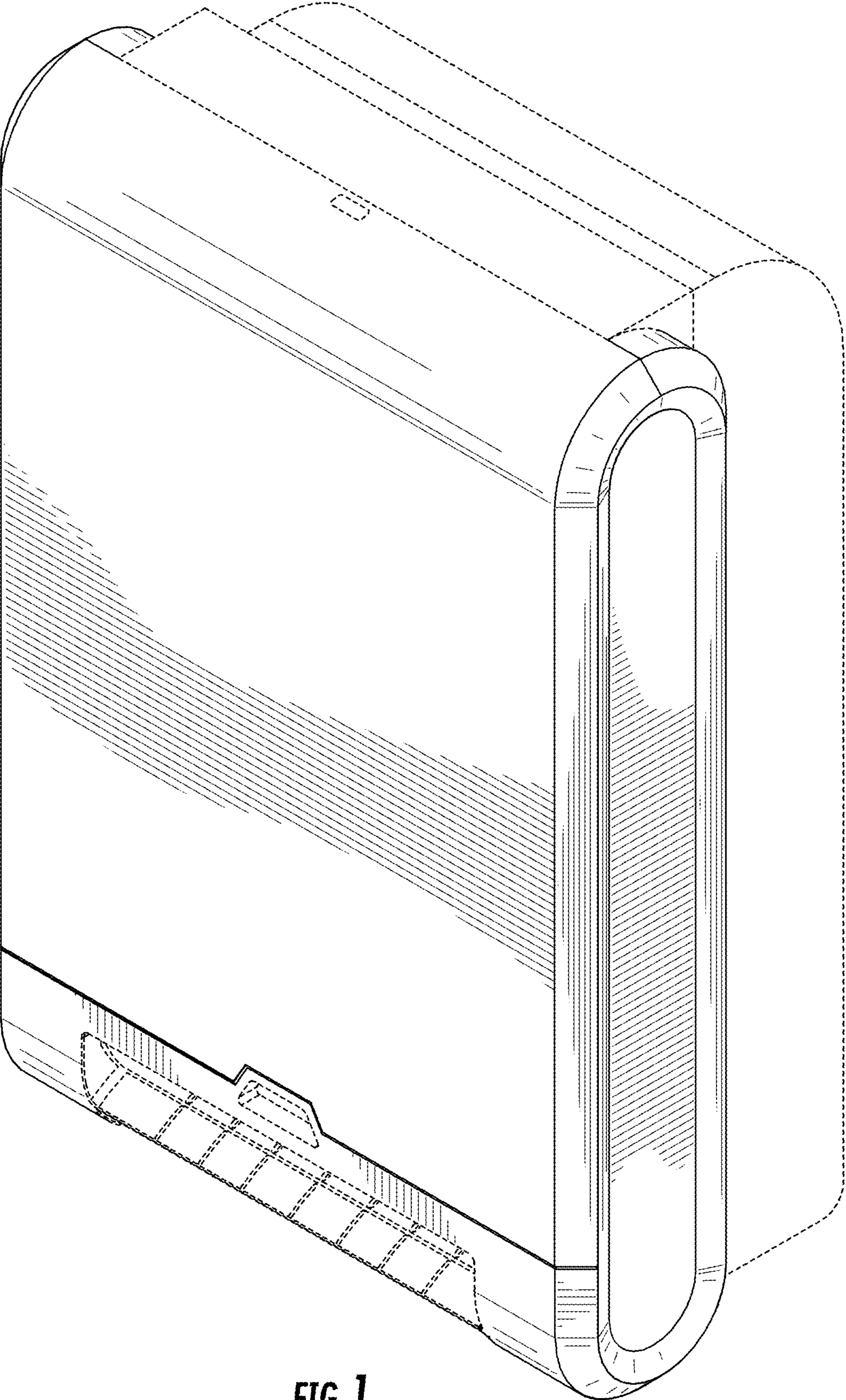


FIG. 1

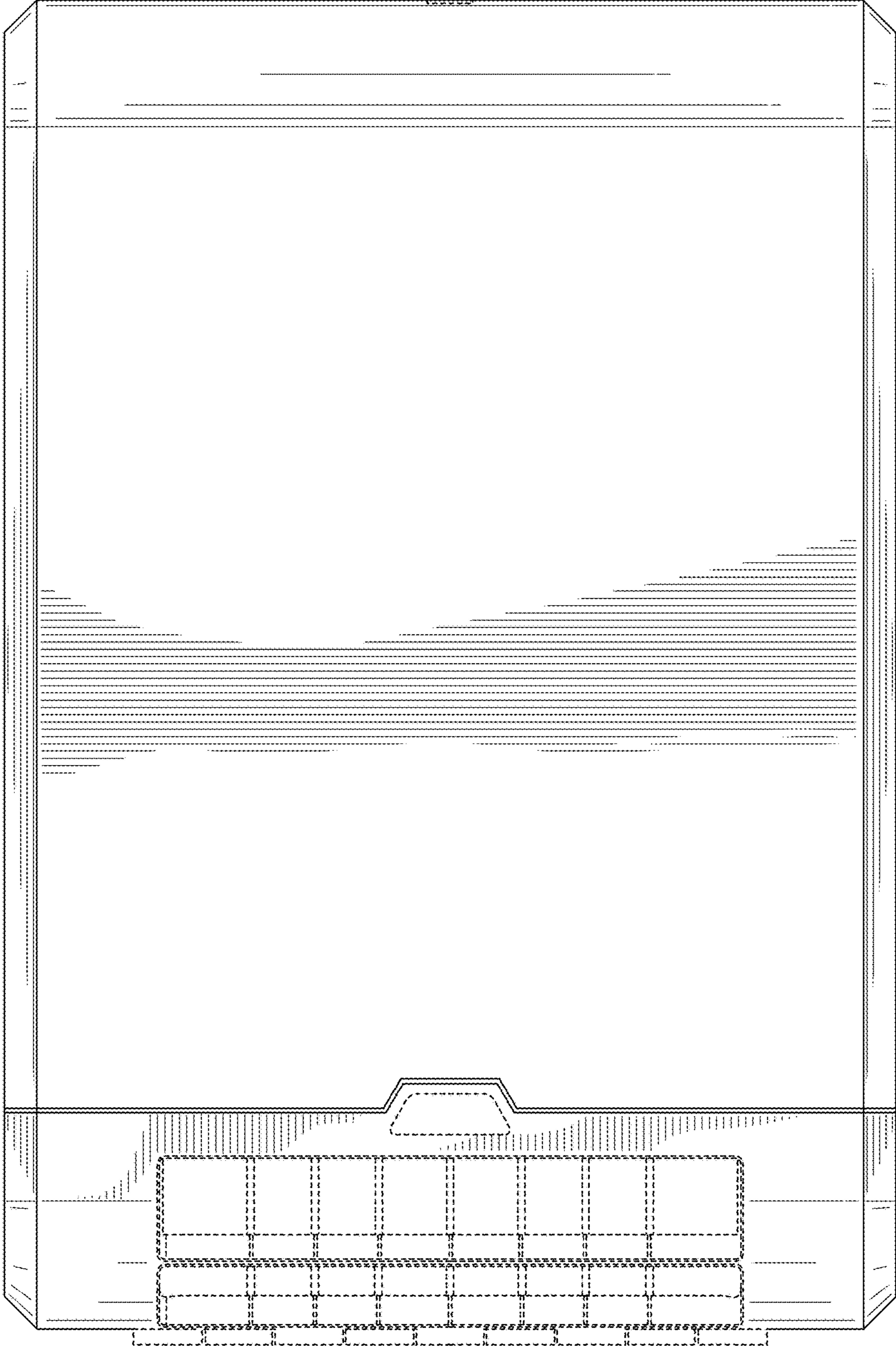


FIG. 2

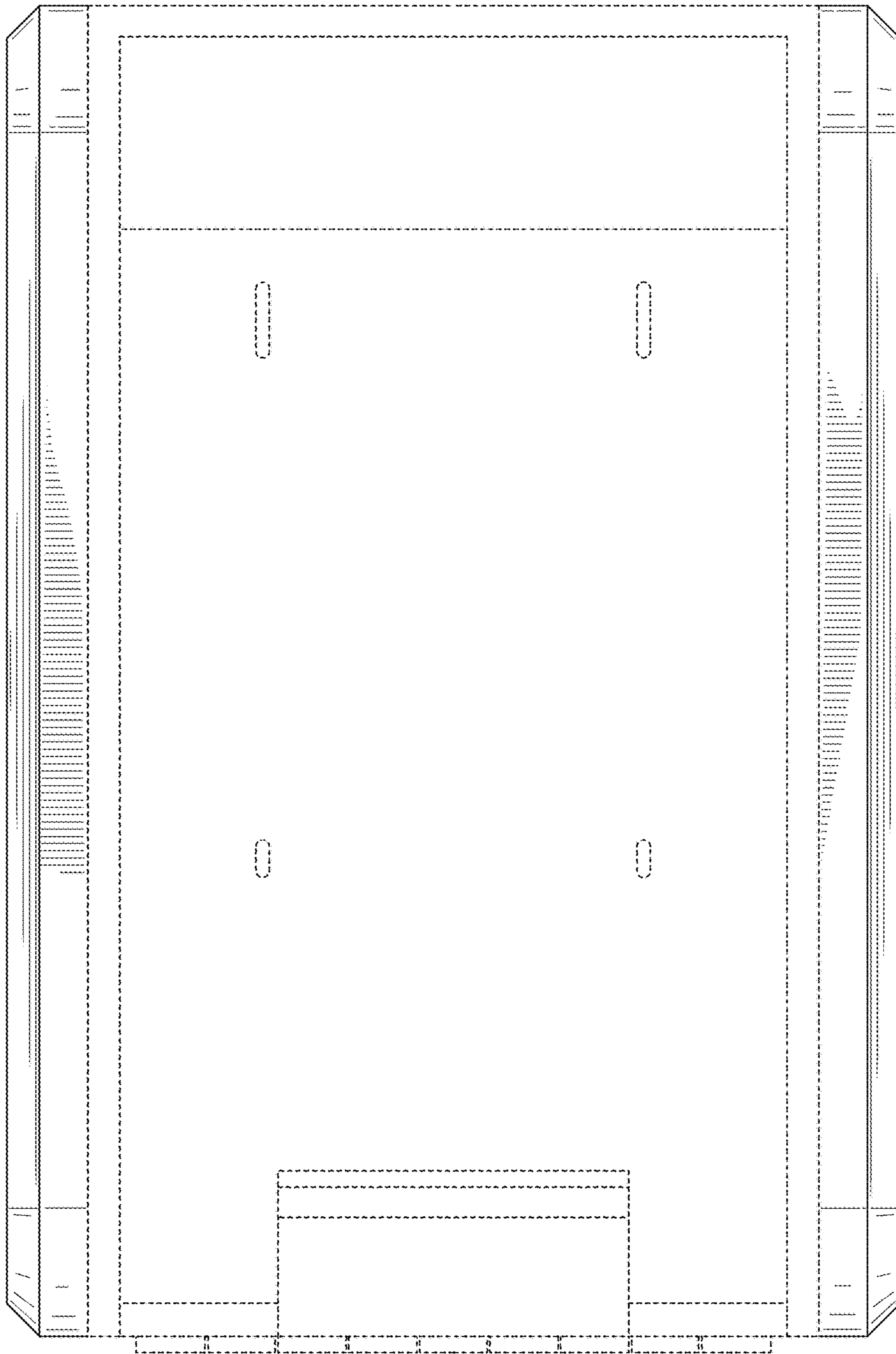


FIG. 3

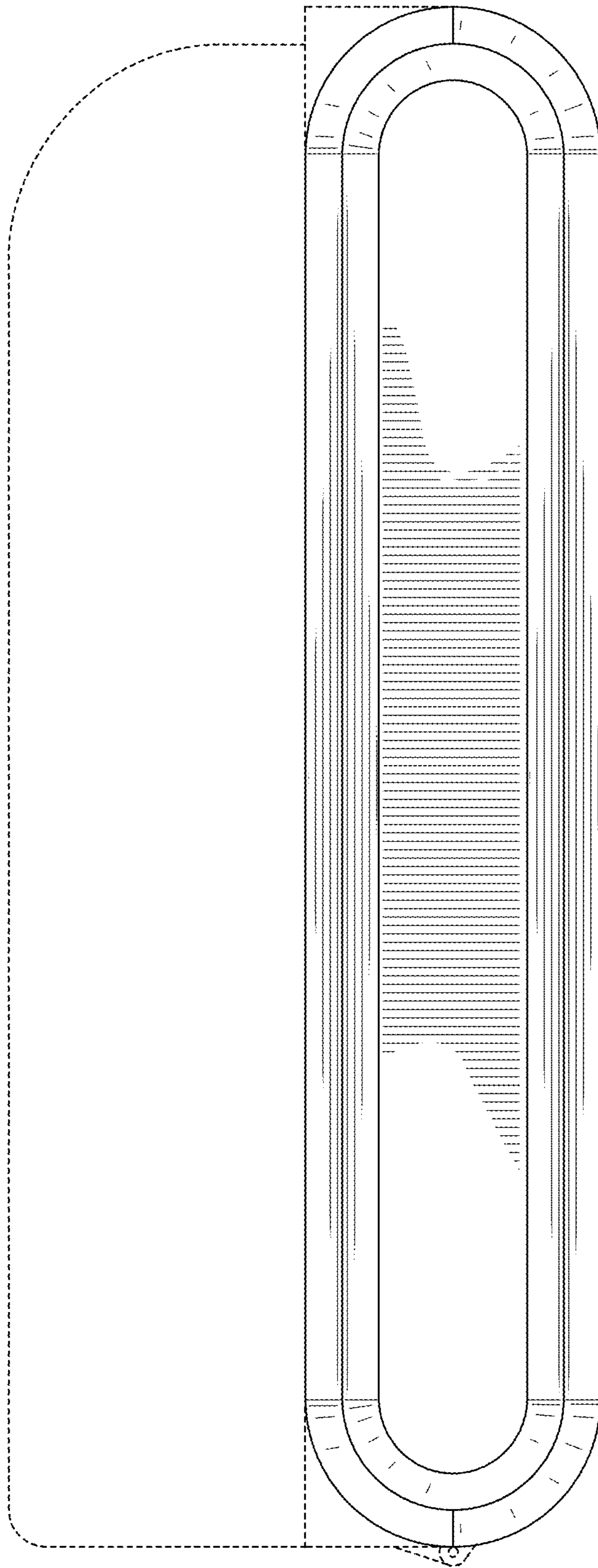


FIG. 4

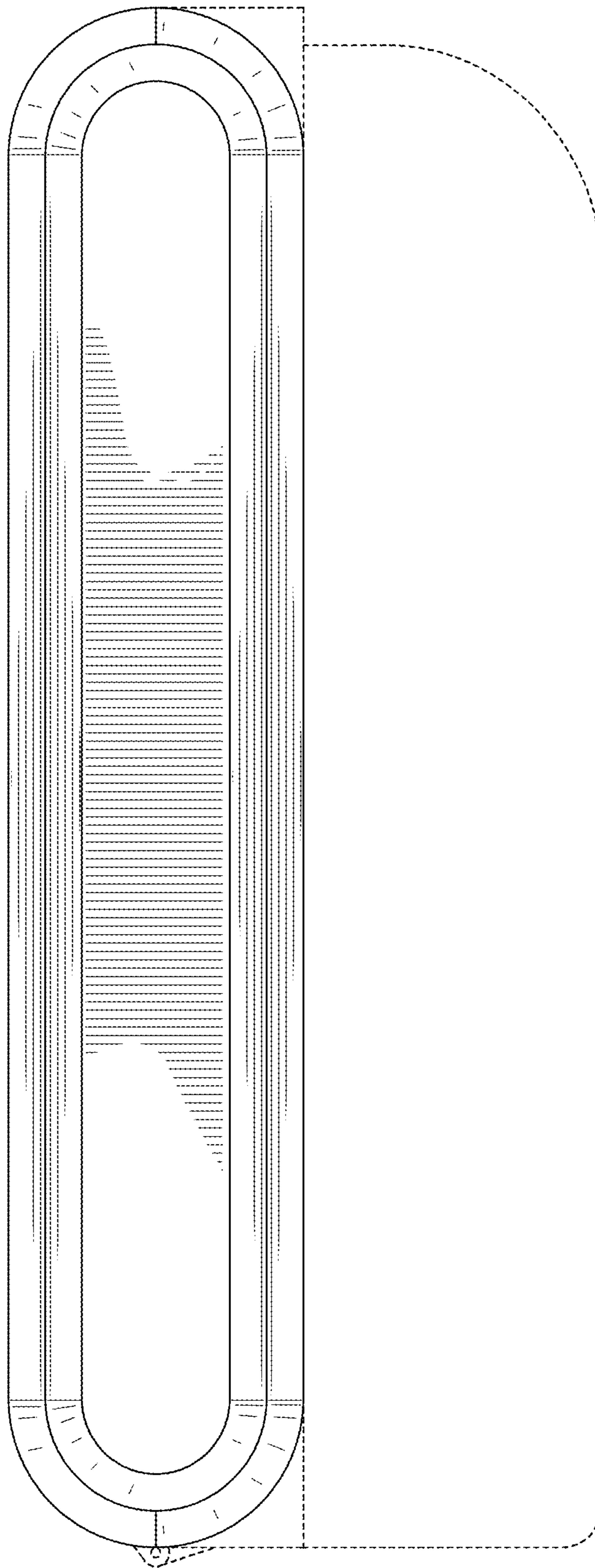


FIG. 5

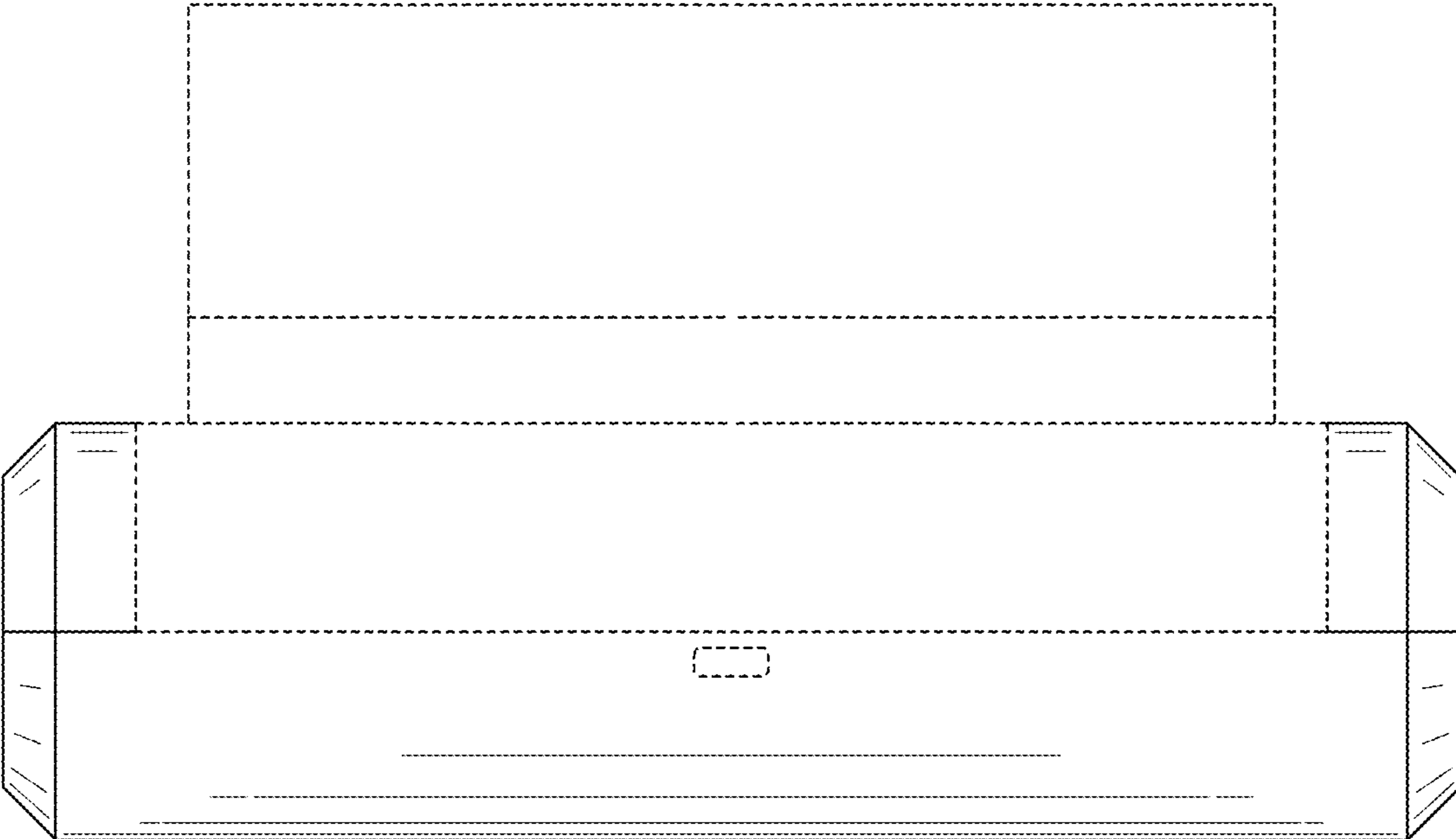


FIG. 6

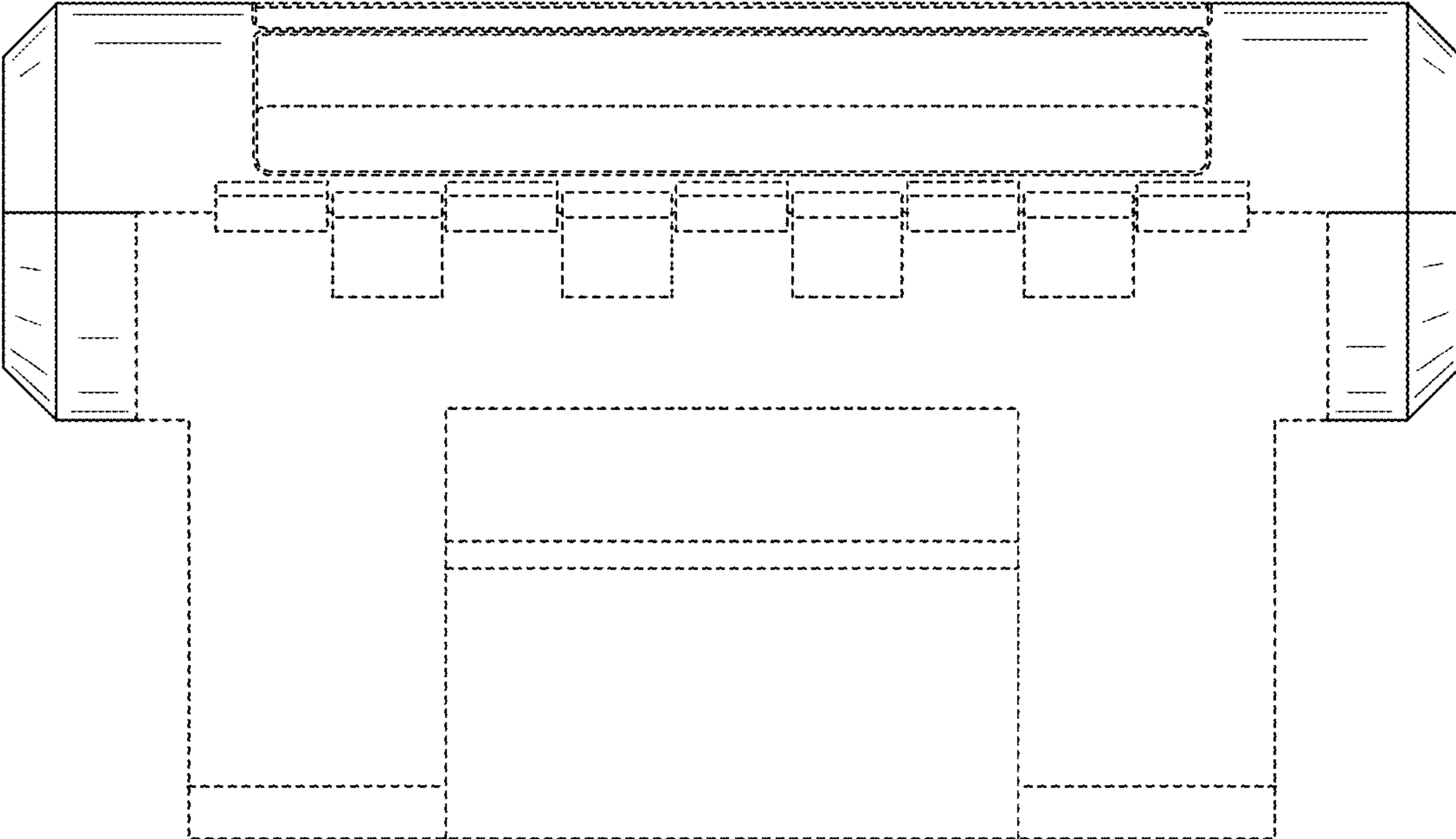


FIG. 7

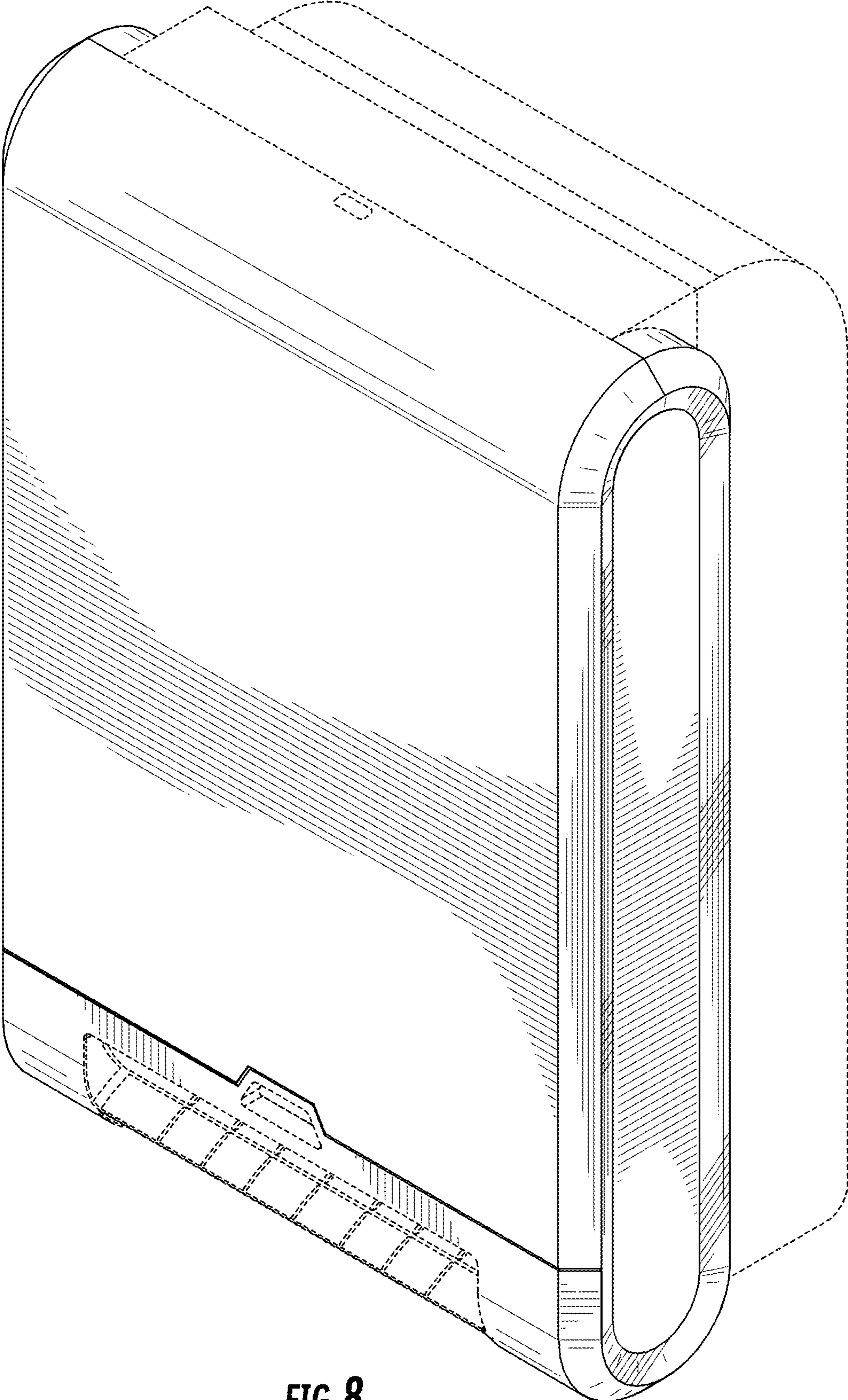


FIG. 8

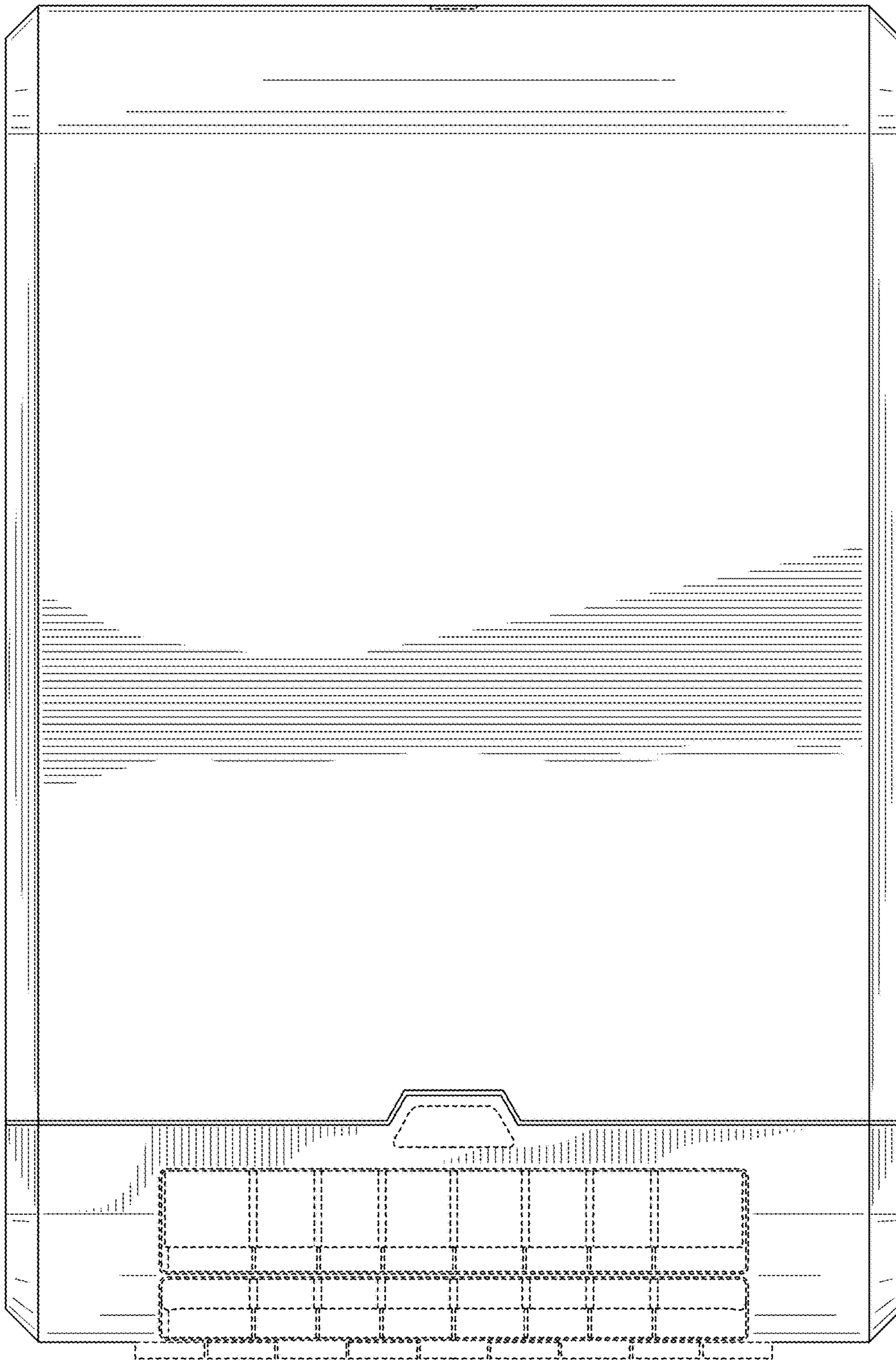


FIG. 9

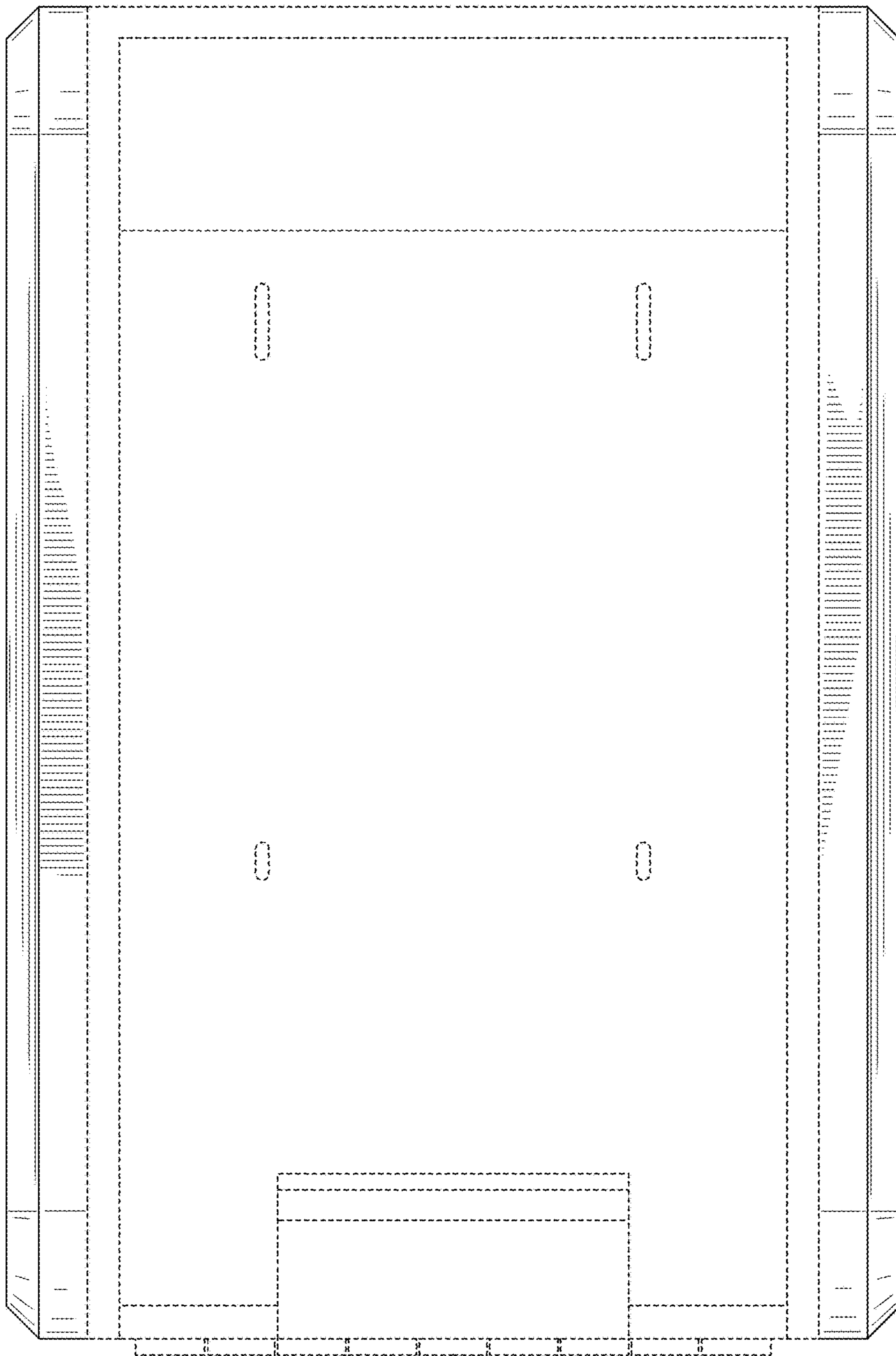


FIG. 10

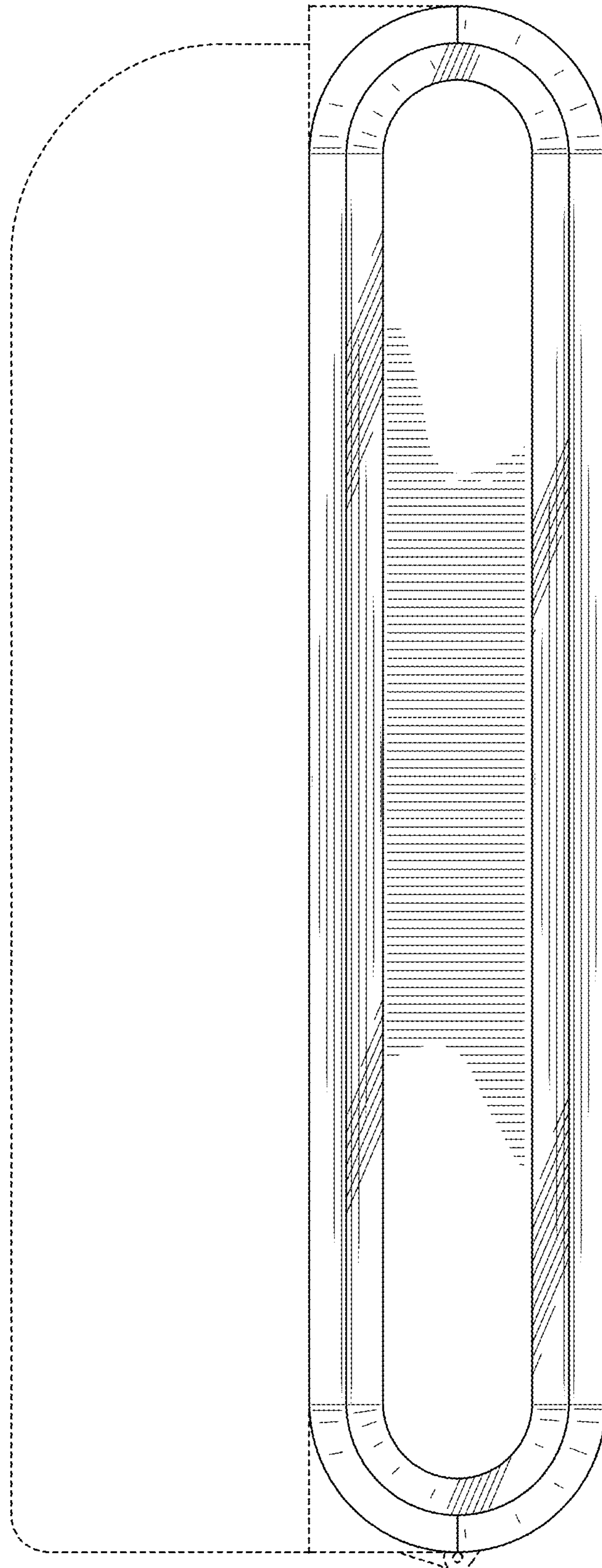


FIG. 11

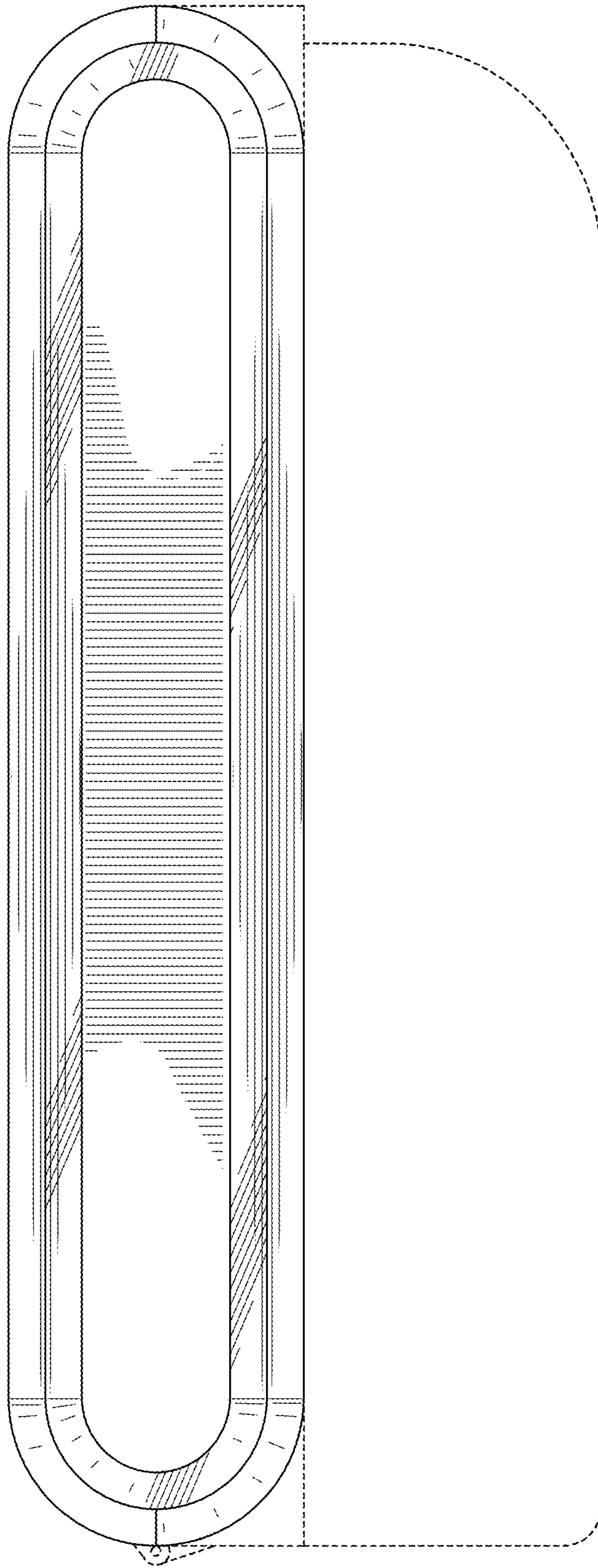


FIG. 12

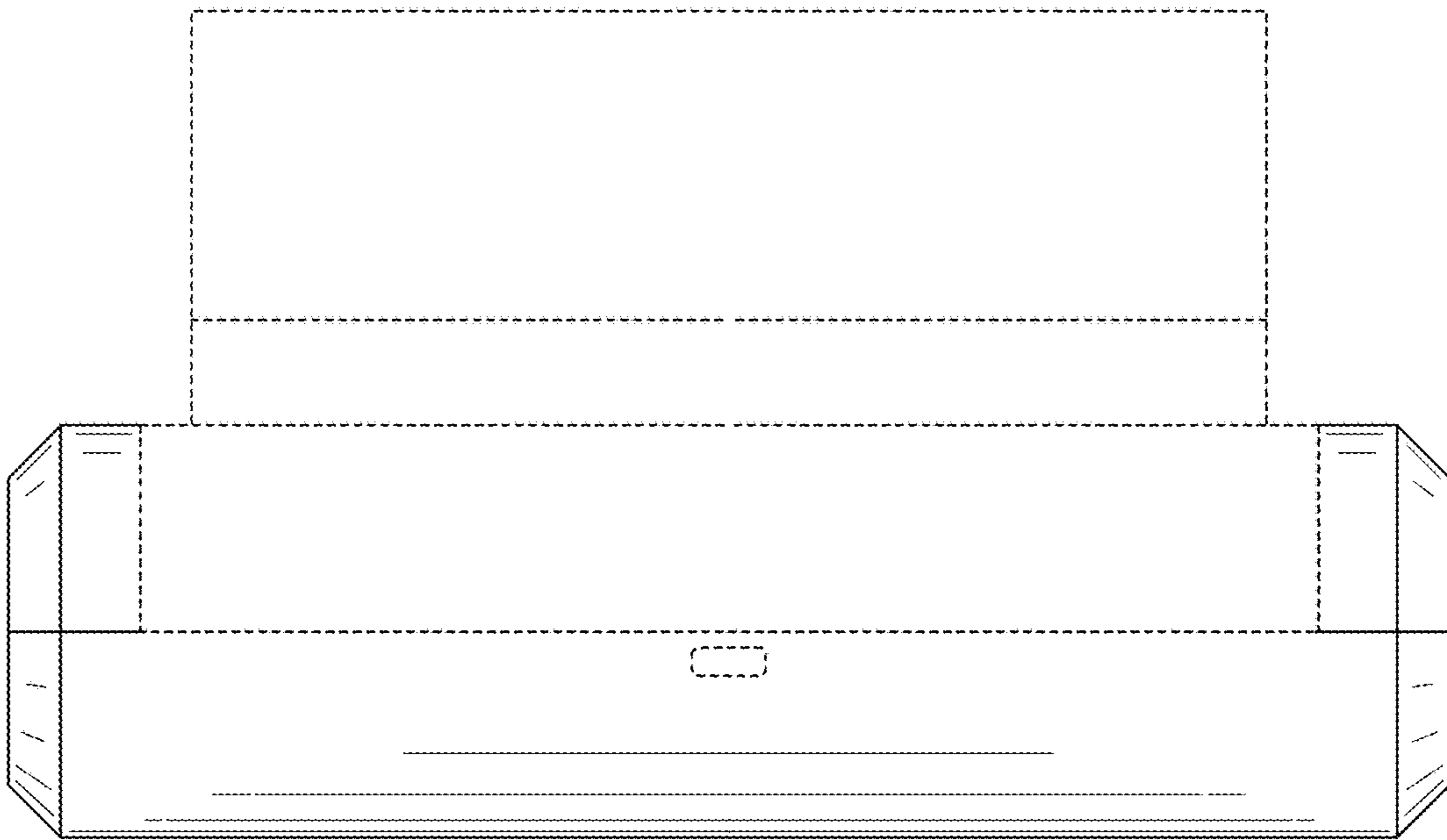


FIG. 13

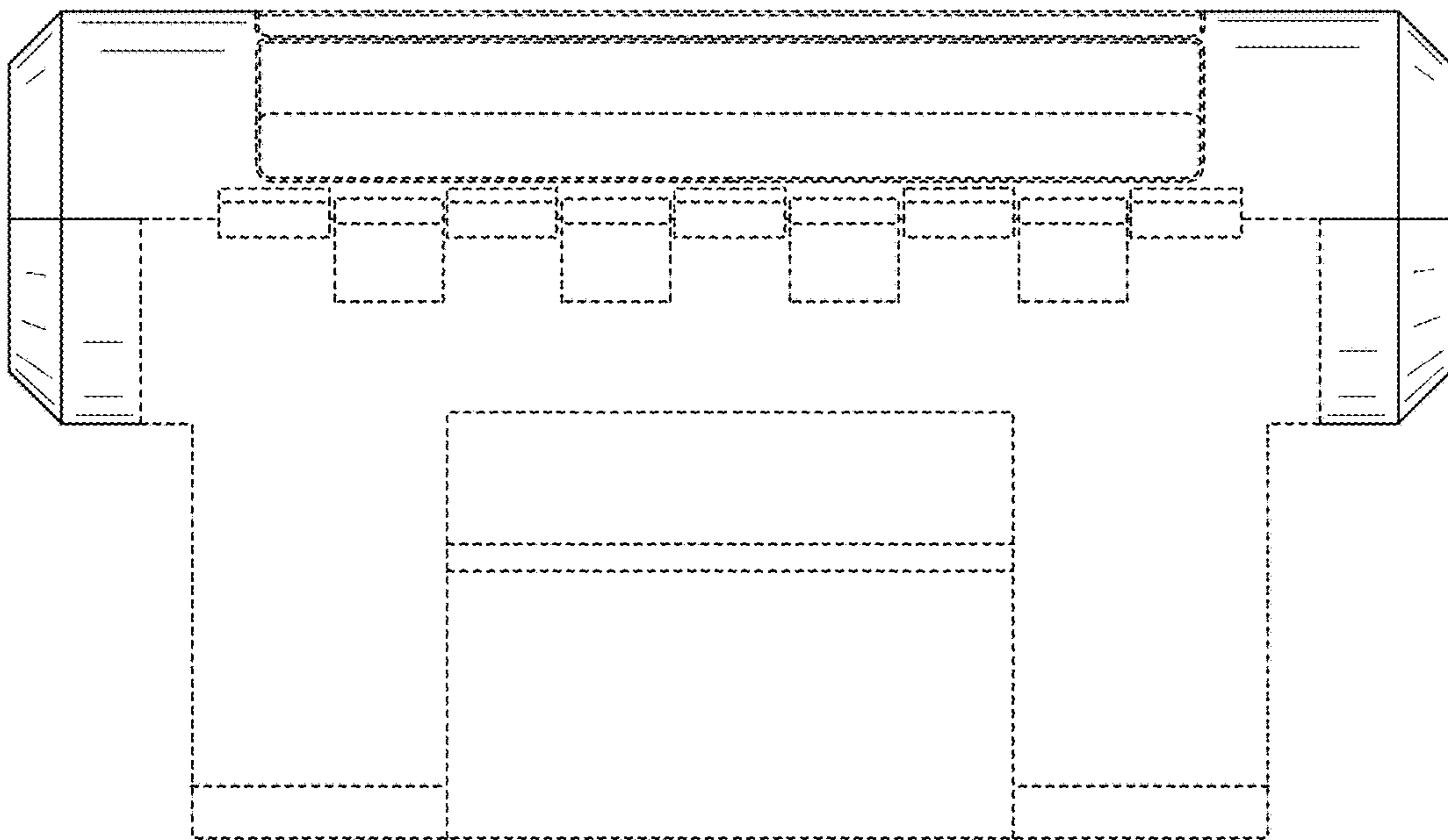


FIG. 14