



US00D799232S

(12) **United States Design Patent** (10) **Patent No.:** **US D799,232 S**
Cvek (45) **Date of Patent:** **** Oct. 10, 2017**

(54) **CHAIR SHELL**

- (71) Applicant: **Sava Cvek**, Jamaica Plain, MA (US)
- (72) Inventor: **Sava Cvek**, Jamaica Plain, MA (US)
- (**) Term: **15 Years**
- (21) Appl. No.: **29/567,521**
- (22) Filed: **Jun. 9, 2016**
- (51) **LOC (10) Cl.** **06-01**
- (52) **U.S. Cl.**
USPC **D6/375**
- (58) **Field of Classification Search**
USPC D6/334, 349-350, 364-368, 374, 375,
D6/379, 380, 403, 405, 406.6, 654-654.1,
D6/678-678.2, 682.1-682.6, 684-686,
D6/691, 691.8-691.9, 698, 699, 705,
D6/705.5, 707.19, 708, 708.21, 716;
297/284.4, 452.26, 452.28, 452.32-33,
297/452.37
CPC A47C 7/02; A47C 7/44; A47C 7/46; A47C
7/48; A47C 7/54; A47C 7/386; A47C
7/462; A47C 1/10; A47C 1/031; B60N
2/02; B60N 2/22; B60N 2/44
See application file for complete search history.

(56) **References Cited**

U.S. PATENT DOCUMENTS

233,140	A	10/1880	Candrian	
2,818,911	A	1/1958	Syak	
D193,847	S *	10/1962	Mason	D6/356
D205,939	S *	10/1966	Laverne	D6/375
3,574,400	A *	4/1971	Day	A47C 5/12 297/452.14
4,854,641	A	8/1989	Reineman et al.	
5,772,282	A	6/1998	Stumpf et al.	
D404,928	S *	2/1999	Safrit	D6/356
6,386,634	B1	5/2002	Stumpf et al.	
6,709,058	B1	3/2004	Diffrient	
D493,626	S	8/2004	James	
D499,895	S	12/2004	Olson et al.	

(Continued)

OTHER PUBLICATIONS

Wayfair [online] Retrieved on May 4, 2017 from URL https://www.wayfair.com/IRIS-USA-Inc.-Shell-Side-Chair-with-Armrest-IRI1887.html?piid%5B0%5D=19480717.*

(Continued)

Primary Examiner — Manpreet Matharu

Assistant Examiner — Keith Wilson

(74) *Attorney, Agent, or Firm* — Thomas P. O’Connell;
O’Connell Law Firm

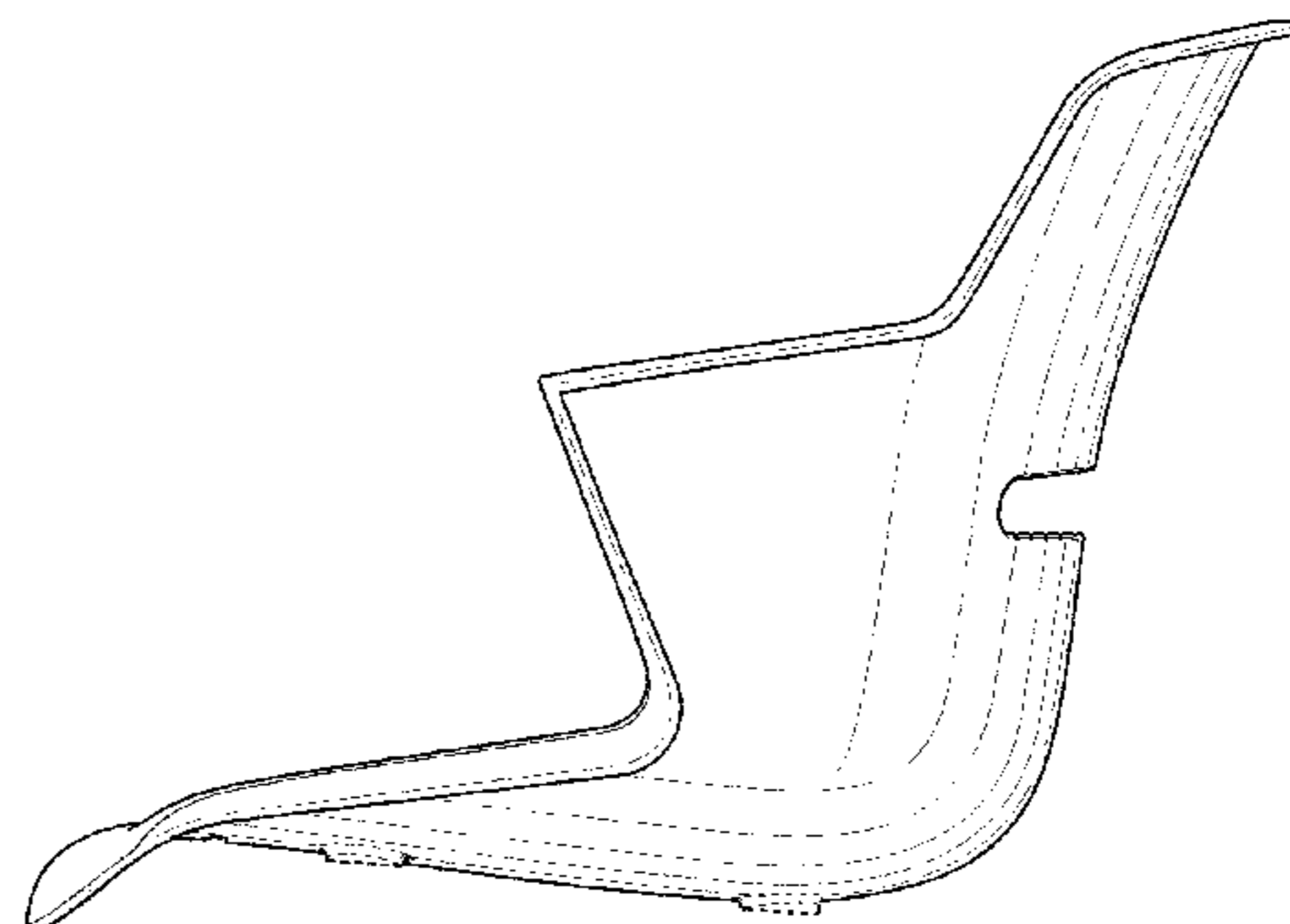
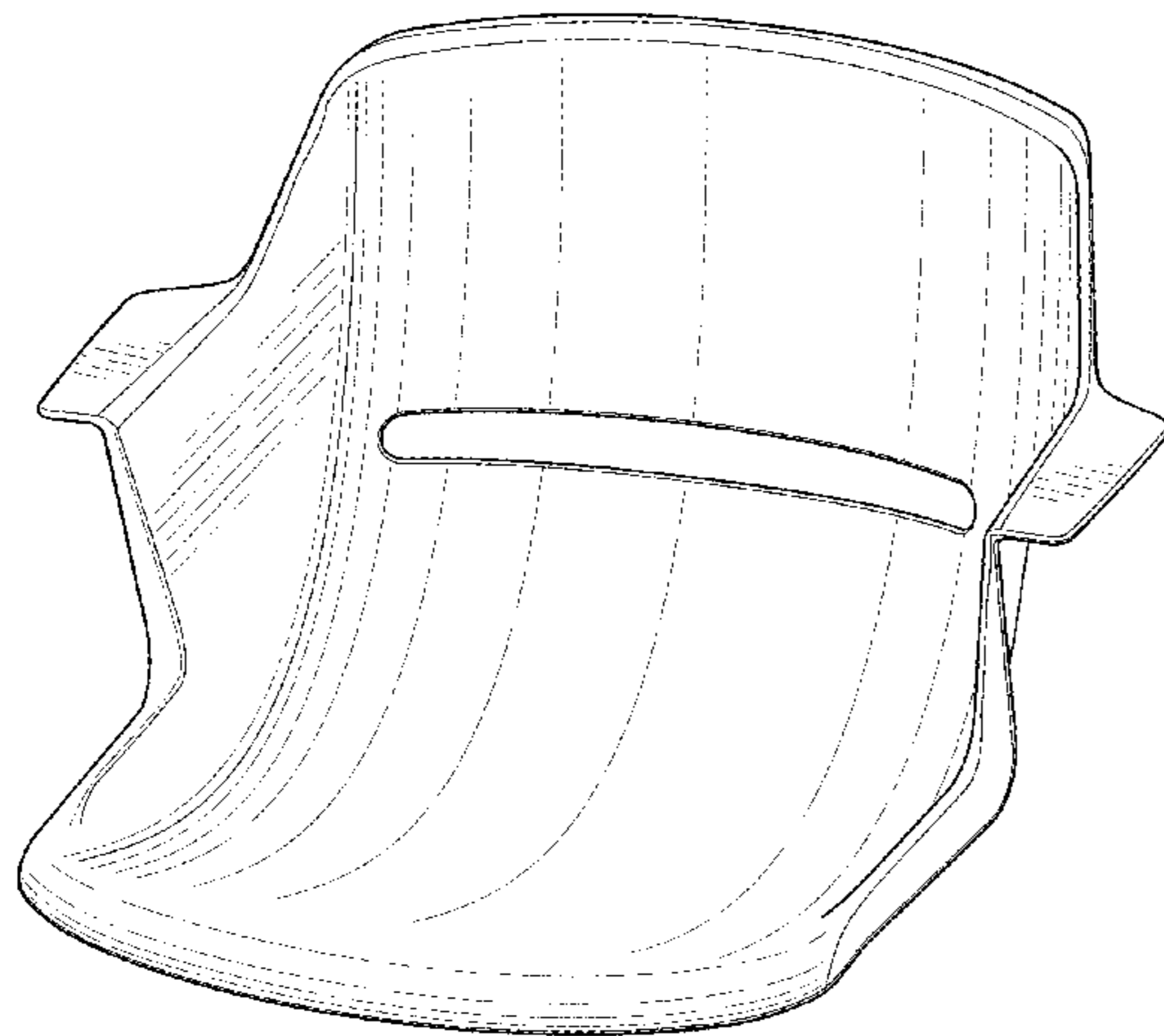
(57) **CLAIM**

The new and ornamental design for a chair shell, as shown and described.

DESCRIPTION

FIG. 1 is a perspective view of a chair shell showing my new design;
 FIG. 2 is a view in front elevation thereof;
 FIG. 3 is a view in left side elevation thereof with the view in right side elevation being a mirror image of the view in left side elevation;
 FIG. 4 is a top plan view thereof;
 FIG. 5 is a bottom plan view thereof;
 FIG. 6 is a view in rear elevation thereof;
 FIG. 7 is a view in front elevation of the chair shell supported by legs, which do not form a part of the claimed invention;
 FIG. 8 is a view in front elevation of the chair shell supported by a sled base, which does not form a part of the claimed invention; and,
 FIG. 9 is a view in front elevation of the chair shell supported by a task chair base, which does not form a part of the claimed invention.
 The broken lines in the drawings represent unclaimed features of the chair shell and unclaimed environment that form no part of the claimed design.

1 Claim, 9 Drawing Sheets



(56)

References Cited

U.S. PATENT DOCUMENTS

6,959,965 B2 11/2005 Diffrient
 6,966,604 B2 11/2005 Stumpf et al.
 D514,832 S 2/2006 Tsai
 D517,820 S 3/2006 Citterio
 D521,755 S 5/2006 Kinoshita et al.
 D535,112 S 1/2007 Bernett et al.
 D554,382 S * 11/2007 Nobles D6/366
 D554,386 S * 11/2007 Nobles D6/366
 D557,027 S 12/2007 Hara
 D558,995 S 1/2008 Igarashi
 D558,996 S 1/2008 Igarashi
 D559,571 S 1/2008 Meda
 D559,572 S 1/2008 Igarashi
 D559,573 S 1/2008 Igarashi
 D559,574 S 1/2008 Igarashi
 D576,809 S 9/2008 Christianson et al.
 D576,814 S 9/2008 Baldanzi et al.
 D582,170 S 12/2008 Chi
 7,517,024 B2 4/2009 Cvek
 D595,970 S 7/2009 Ueda
 D596,418 S 7/2009 Ueda
 D597,329 S 8/2009 Tanaka et al.
 D597,349 S 8/2009 Wilkinson et al.
 D600,462 S 9/2009 Ooki et al.
 D607,653 S 1/2010 Wilkinson et al.
 D607,672 S 1/2010 Kubryk
 D609,482 S 2/2010 Englisch et al.
 D613,085 S 4/2010 Fujita
 D613,087 S 4/2010 Fujita
 7,806,478 B1 10/2010 Cvek
 D636,614 S 4/2011 Sander et al.
 D646,085 S * 10/2011 Overthun D6/375
 D648,158 S * 11/2011 Kubryk D6/366
 D649,795 S 12/2011 Izawa
 D652,223 S 1/2012 Fujita
 D654,709 S 2/2012 Fujita
 D654,710 S 2/2012 Fujita
 D654,711 S 2/2012 Fujita
 D655,522 S 3/2012 Czumaj-Bront et al.
 D656,752 S 4/2012 Moll
 D662,331 S 6/2012 Czumaj-Bront et al.
 D663,129 S 7/2012 Greutmann
 D665,589 S 8/2012 Wagner
 D665,592 S 8/2012 Citterio
 D666,016 S 8/2012 Citterio

D667,231 S 9/2012 Citterio
 D667,243 S * 9/2012 Su D6/716
 D670,927 S 11/2012 Hurford
 D671,332 S 11/2012 Izawa
 D671,759 S 12/2012 Hurford
 D678,690 S * 3/2013 Eldoy D6/366
 D679,107 S 4/2013 Darrow et al.
 D679,517 S * 4/2013 Corcorran A47B 39/00
 D687,641 S 8/2013 Barrell
 D688,056 S 8/2013 Phillips et al.
 D688,483 S 8/2013 Aratani
 D690,523 S 10/2013 Choi
 D694,537 S 12/2013 Smith et al.
 D694,538 S 12/2013 Smith et al.
 D696,886 S 1/2014 Nakamura
 D701,068 S 3/2014 Usumoto et al.
 D703,988 S 5/2014 Smith et al.
 D704,487 S 5/2014 Smith et al.
 D704,944 S 5/2014 Koepke et al.
 D707,976 S 7/2014 Smith et al.
 D710,640 S 8/2014 Usumoto et al.
 D711,127 S 8/2014 Wilkinson et al.
 D713,664 S 9/2014 Vetter et al.
 D714,069 S 9/2014 Cvek
 D714,070 S 9/2014 Cvek
 D724,367 S 3/2015 Sander
 D726,468 S * 4/2015 McKenna D6/716
 D727,076 S 4/2015 Usumoto
 D727,079 S 4/2015 Usumoto
 D728,292 S 5/2015 Ooki
 D729,530 S * 5/2015 Robins D6/338
 D729,564 S * 5/2015 Robins D6/716
 D731,801 S * 6/2015 McKenna D6/366
 D731,802 S * 6/2015 McKenna D6/366
 D738,657 S * 9/2015 Robins D6/375
 D742,673 S * 11/2015 Dorigo D6/375
 D743,711 S * 11/2015 Lissoni D6/375
 D752,889 S * 4/2016 Bench D6/366
 D768,421 S * 10/2016 Kubryk D6/716
 2005/0275265 A1 12/2005 Deimen et al.

OTHER PUBLICATIONS

Wayfair [online] Retrieved on May 4, 2017 from URL <https://www.wayfair.com/Edgemod-Barclay-Arm-Chair-EDMO1024.html>.*

* cited by examiner

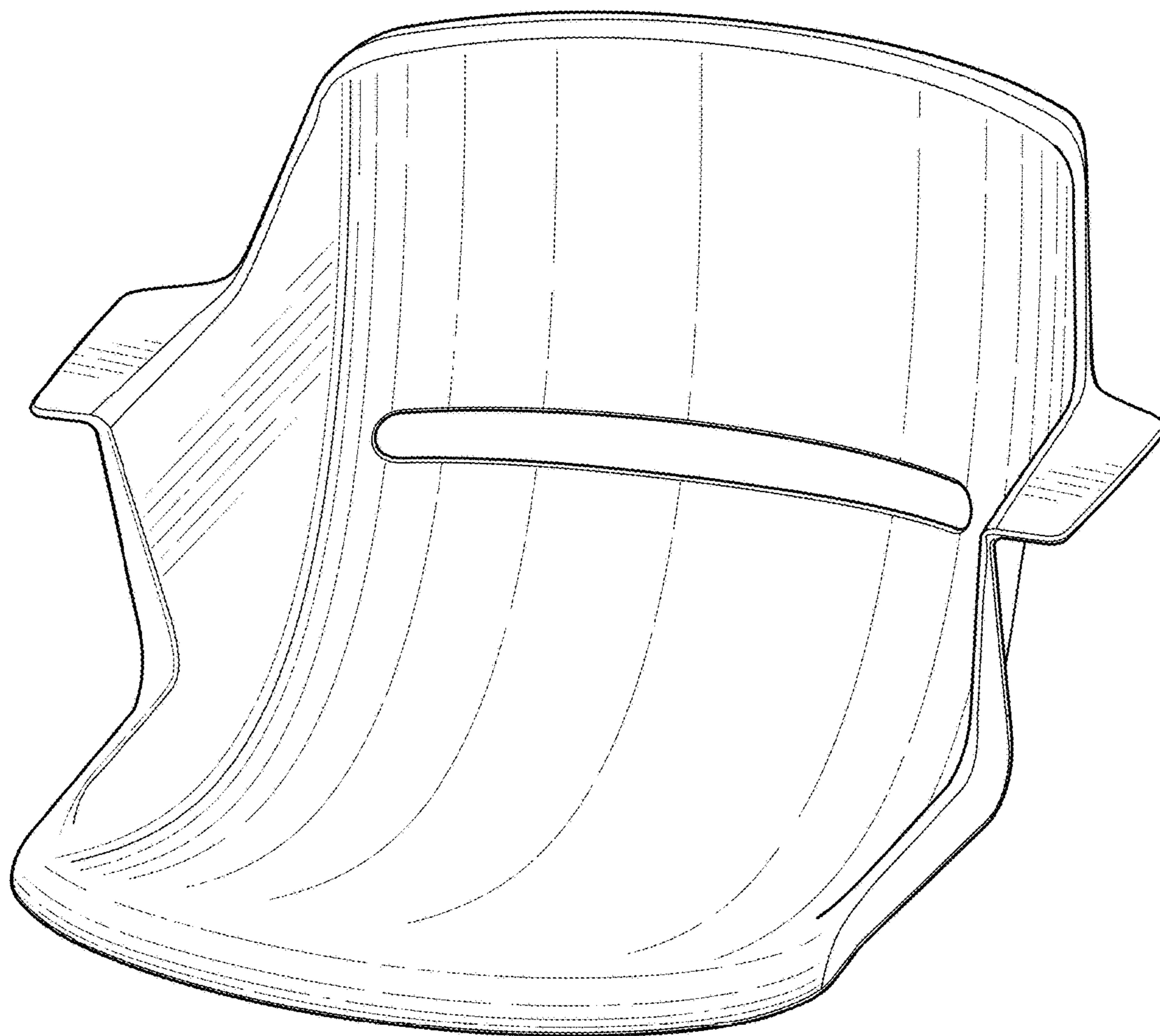


FIG. 1

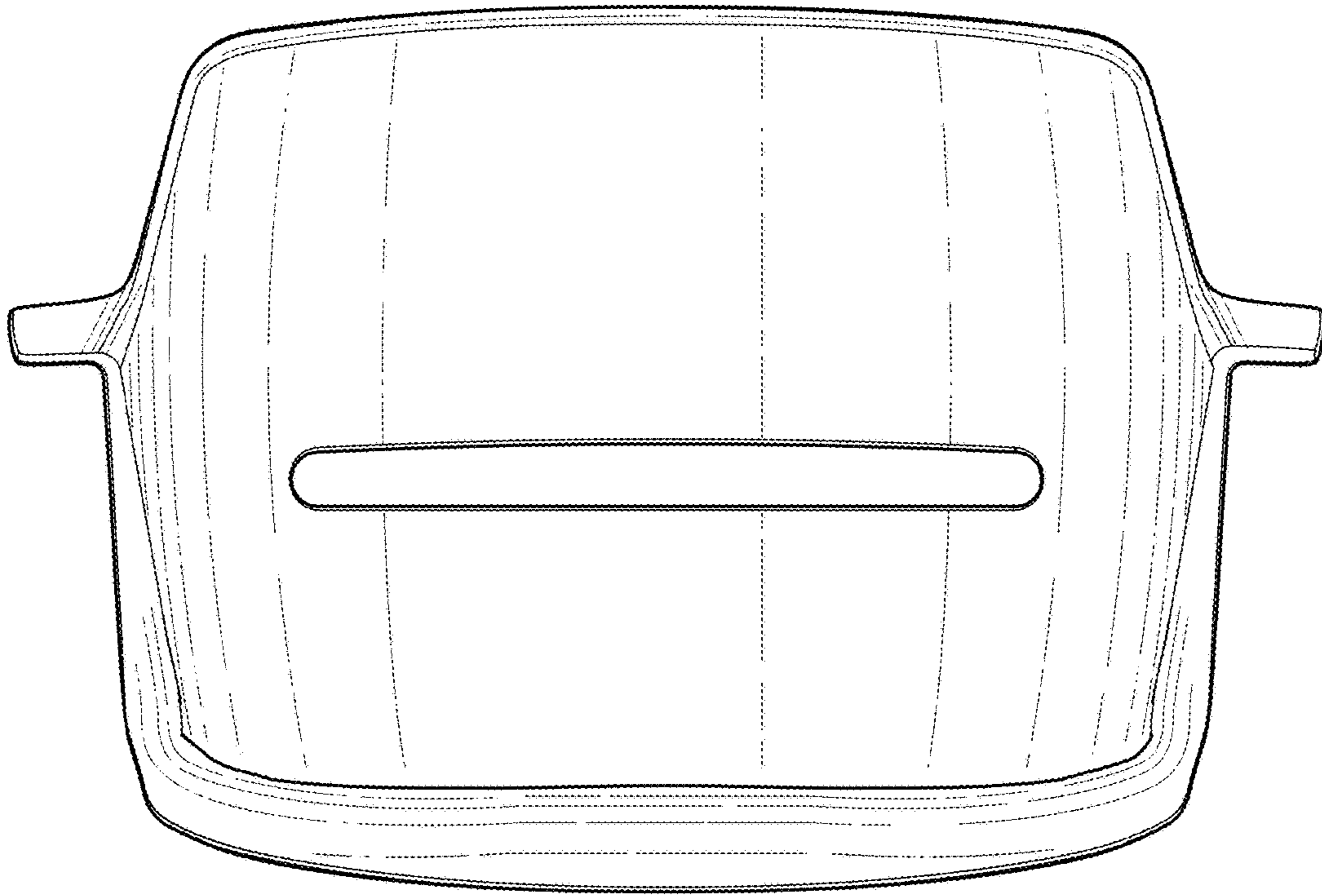


FIG. 2

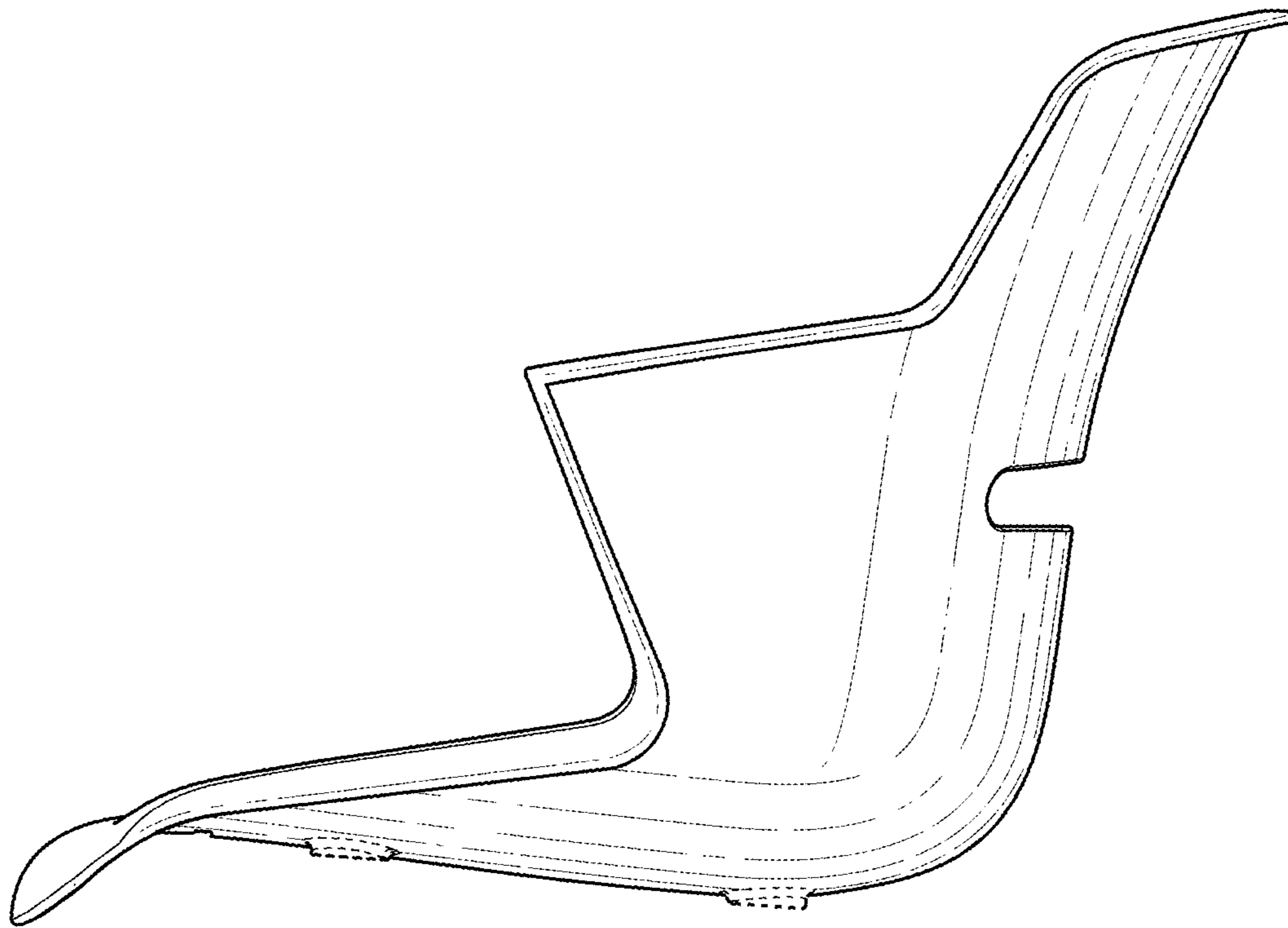


FIG. 3

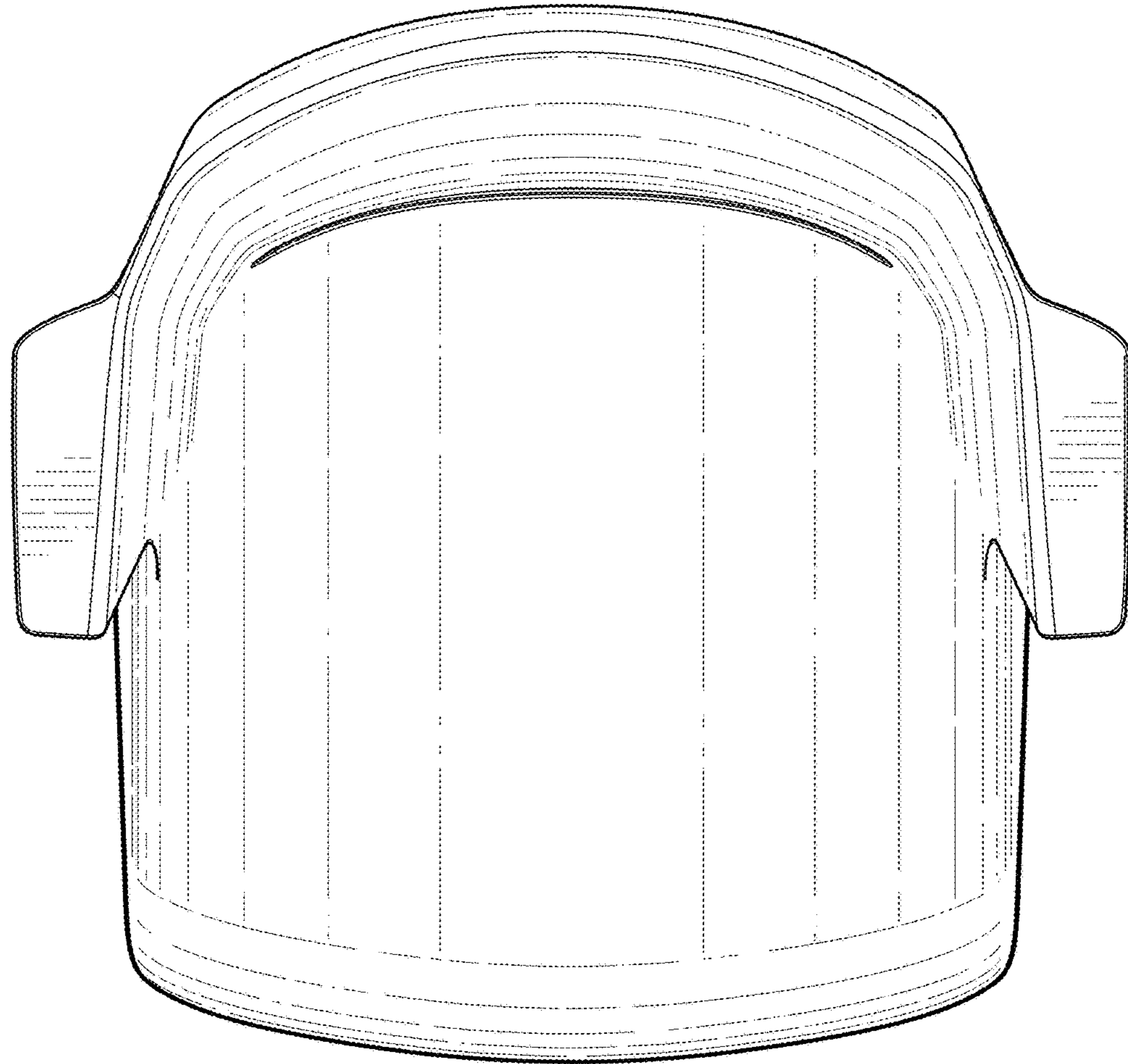


FIG. 4

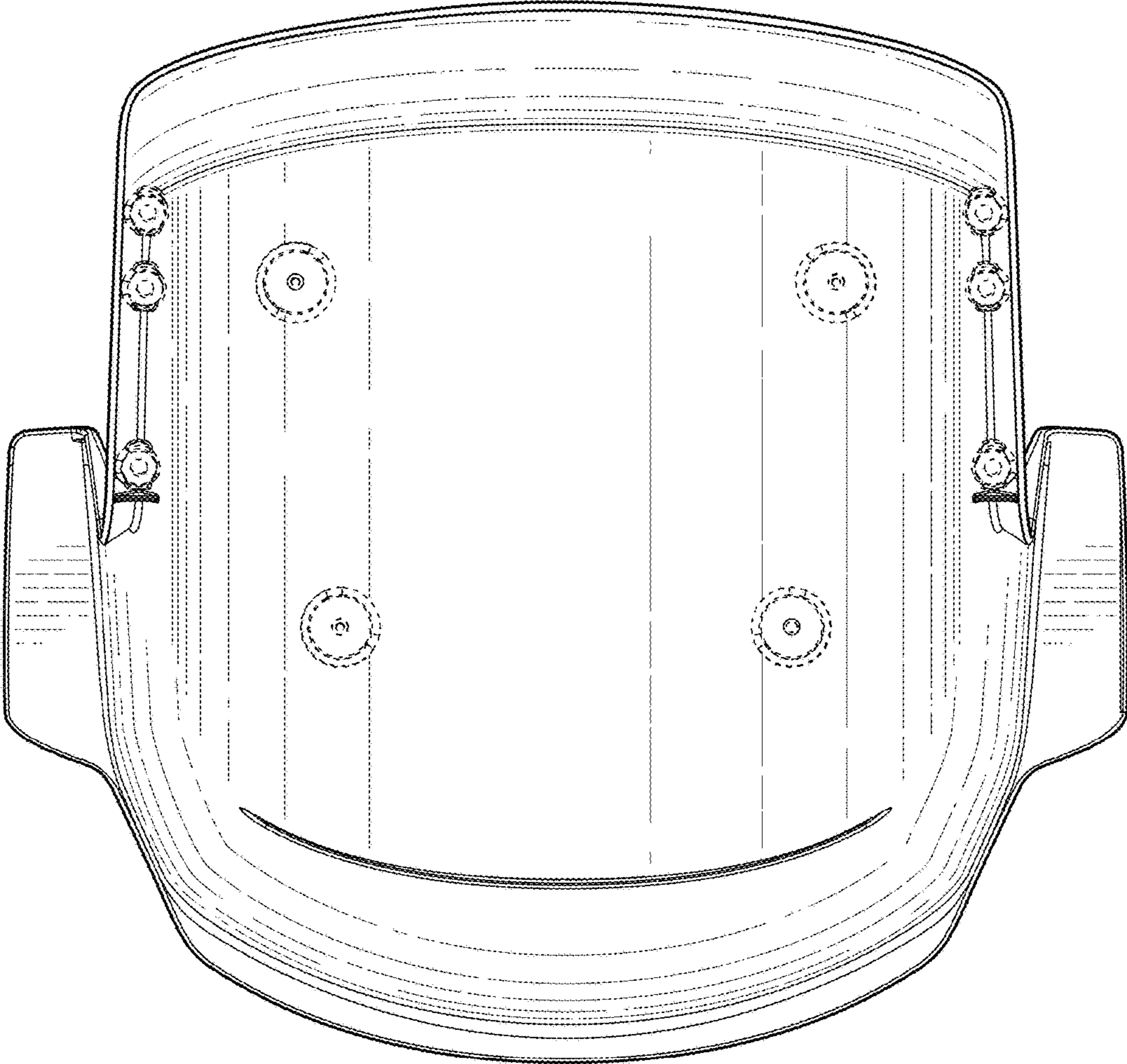


FIG. 5

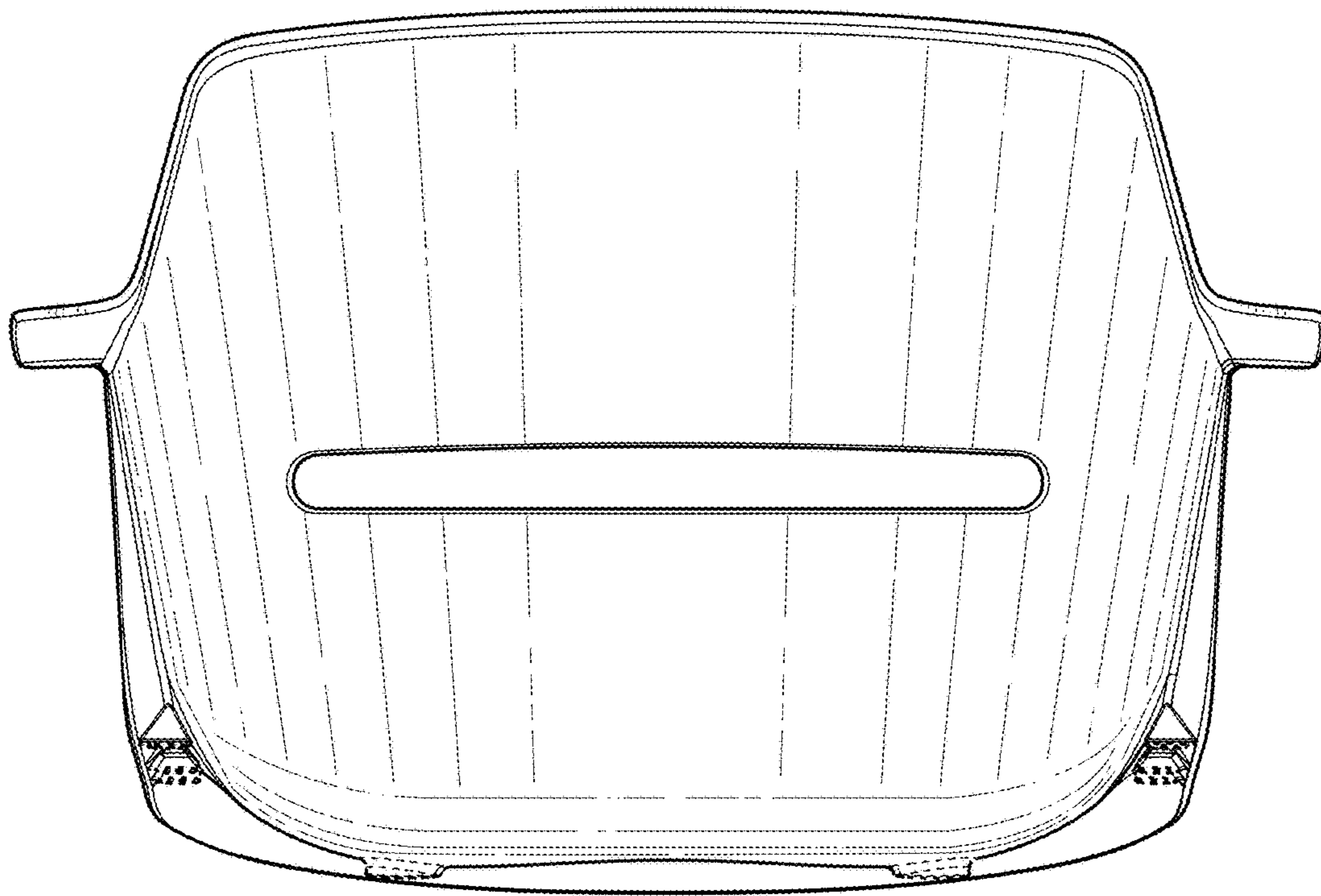


FIG. 6

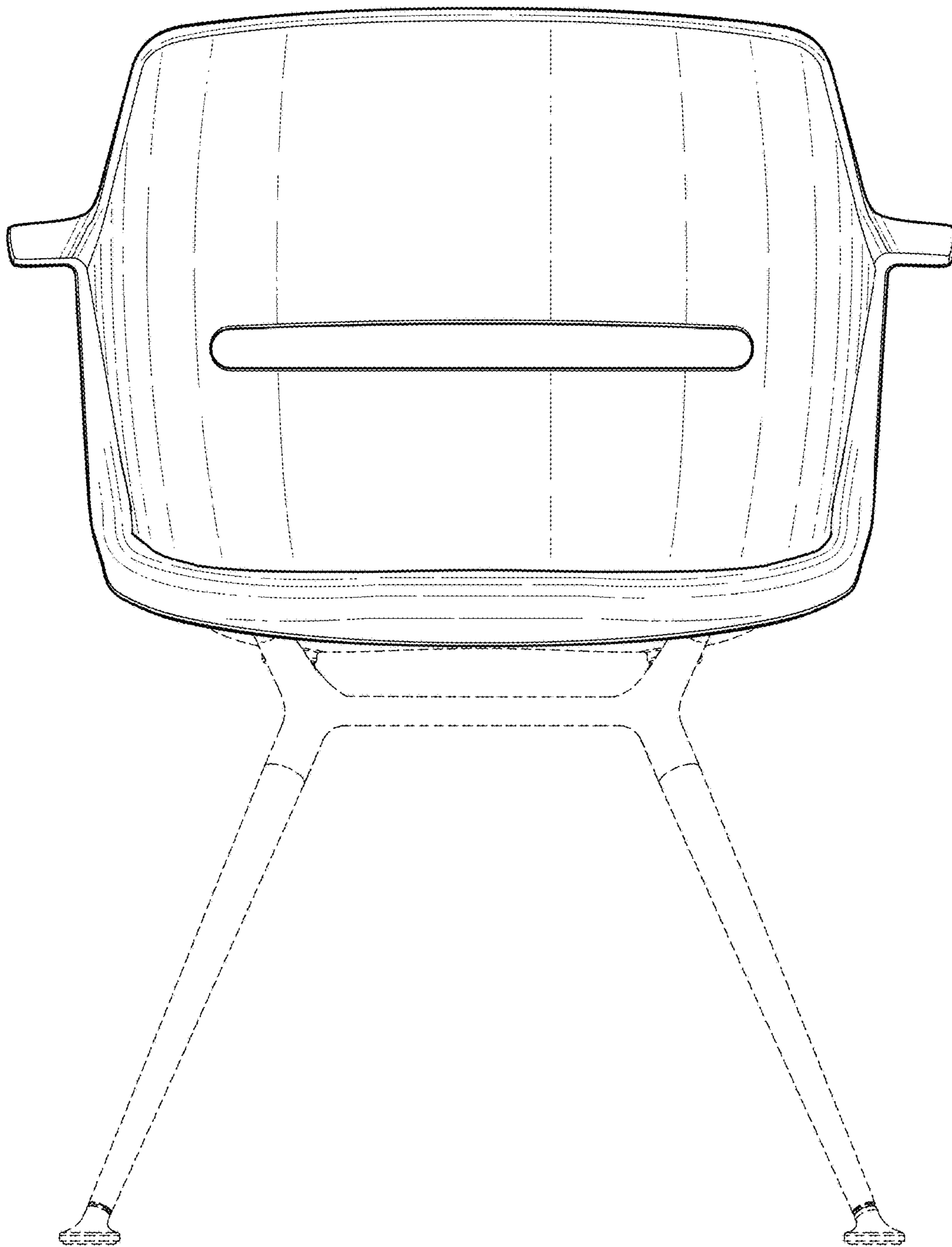


FIG. 7

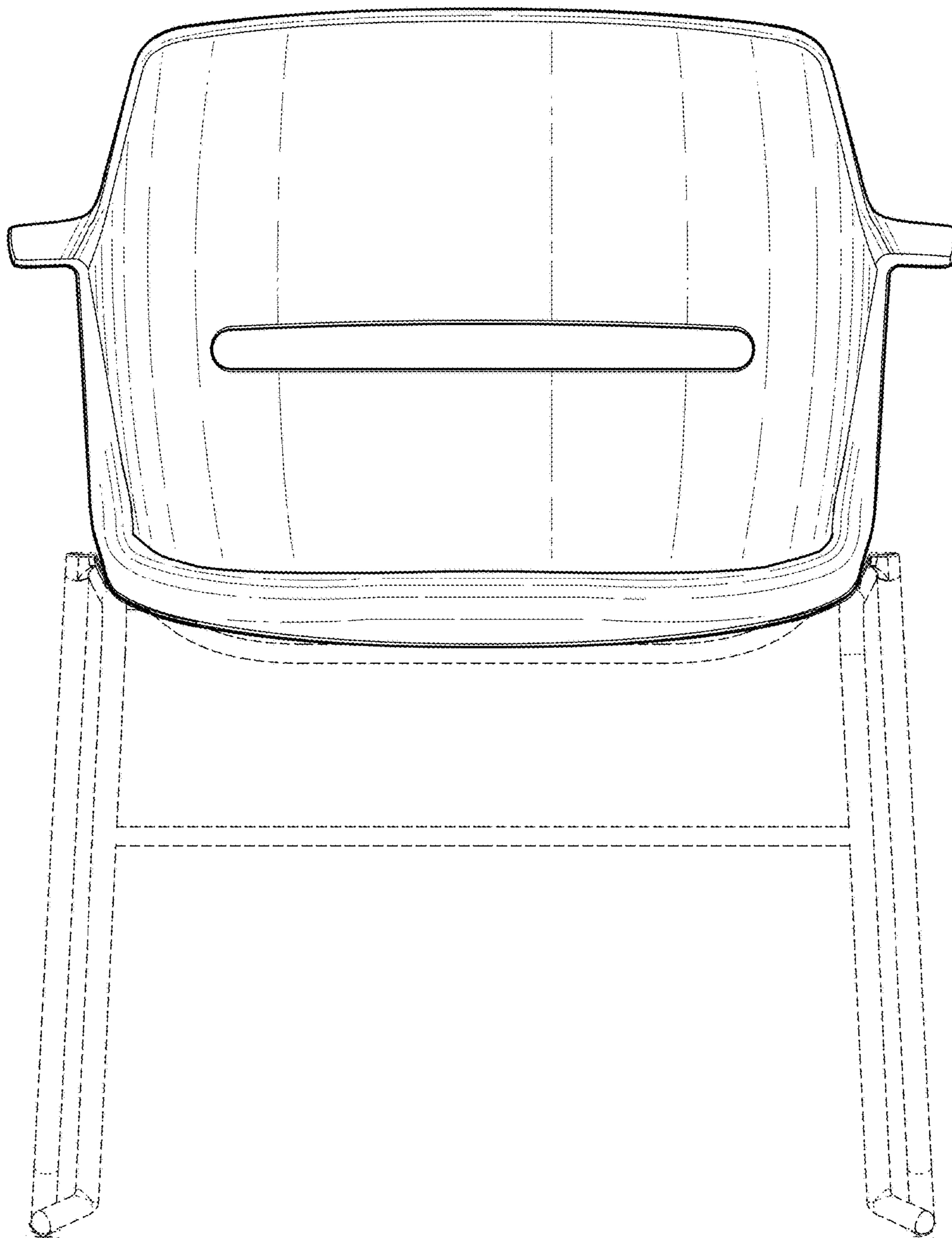


FIG. 8

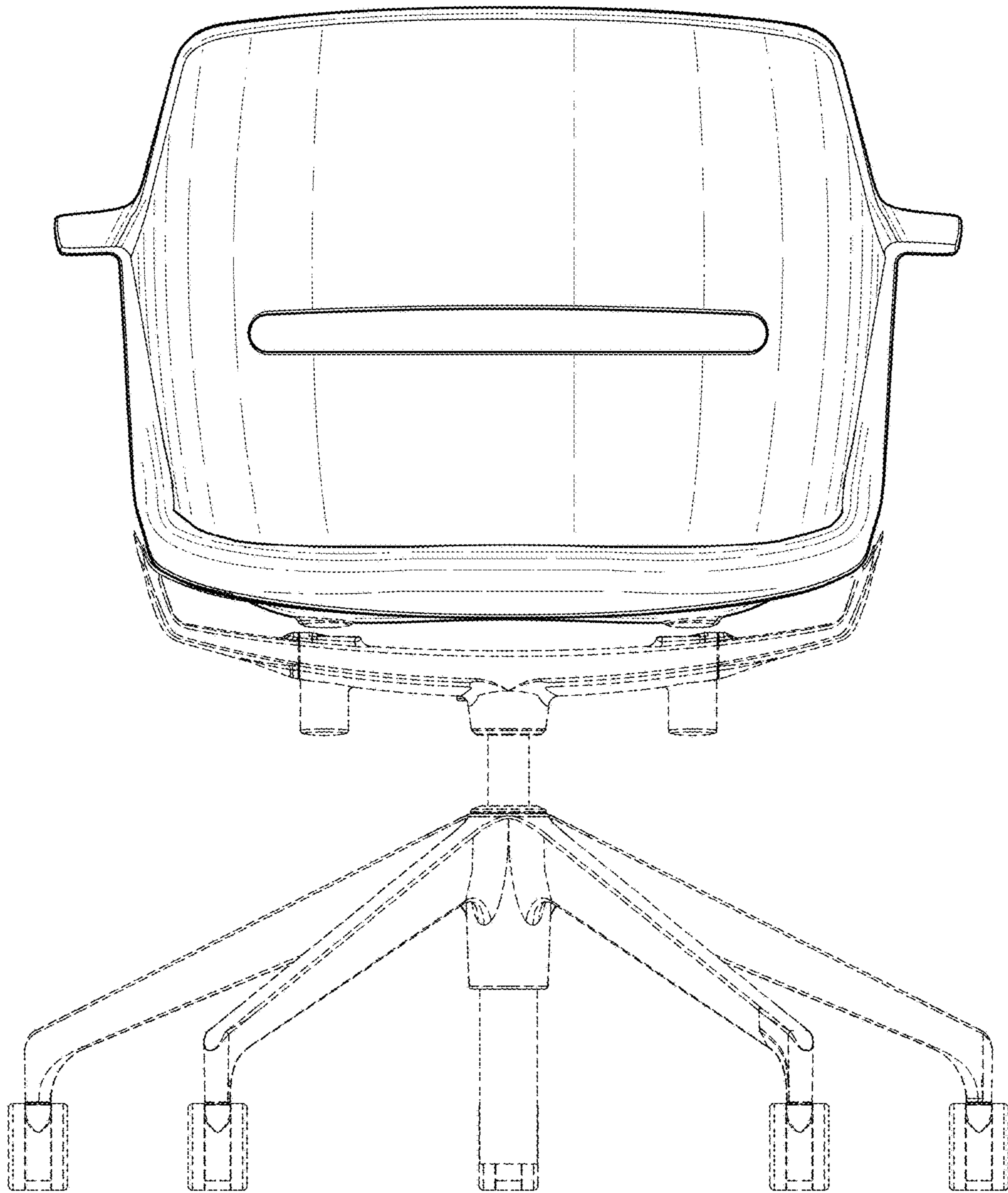


FIG. 9