



US00D799231S

(12) **United States Design Patent** (10) **Patent No.:** **US D799,231 S**
Baylar (45) **Date of Patent:** **** Oct. 10, 2017**

(54) **CHAIR**

(71) Applicant: **HUDSON FURNITURE, INC.**, New York, NY (US)

(72) Inventor: **Barlas Baylar**, New York, NY (US)

(73) Assignee: **HUDSON FURNITURE, INC.**, New York, NY (US)

(**) Term: **15 Years**

(21) Appl. No.: **29/557,247**

(22) Filed: **Mar. 7, 2016**

(51) **LOC (10) Cl.** **06-01**

(52) **U.S. Cl.**
 USPC **D6/373**

(58) **Field of Classification Search**
 USPC D6/373, 334-336, 370, 371, 374, 375, D6/376, 379, 380, 716, 716.1, 716.4
 CPC A47C 3/03; A47C 4/02; A47C 4/03; A47C 5/06; A47C 5/12; A47C 7/22
 See application file for complete search history.

4,830,435 A * 5/1989 Nemschoff A47C 3/00
 297/440.2

D315,258 S * 3/1991 Gibbs D6/379

D344,194 S * 2/1994 Gibbs D6/373

D347,124 S * 5/1994 Lowsky D6/373

5,318,348 A * 6/1994 Hess A47C 31/023
 297/440.11

D413,028 S * 8/1999 Kaiser D6/373

D438,398 S * 3/2001 Frinier D6/375

D498,939 S * 11/2004 Kirkpatrick D6/372

D562,020 S * 2/2008 Massaud D6/373

D651,425 S * 1/2012 Bellin D6/372

D683,157 S * 5/2013 Pedersen D6/372

D766,606 S * 9/2016 Volpe D6/373

D779,849 S * 2/2017 White, III D6/370

2013/0161999 A1 * 6/2013 Schultz A47C 1/143
 297/452.2

(56) **References Cited**

U.S. PATENT DOCUMENTS

D110,387 S * 7/1938 Eppenstein D6/373

D227,634 S * 7/1973 Fuller Robinson D6/373

D237,847 S * 12/1975 Skiuroff D6/373

3,972,559 A * 8/1976 Anacker A47C 5/06
 297/1

D244,162 S * 5/1977 Lubke D6/373

D260,584 S * 9/1981 Albinson D6/373

4,302,048 A * 11/1981 Yount A47C 4/02
 297/440.1

D266,038 S * 9/1982 Raftery D6/373

D266,716 S * 11/1982 Caldwell D6/373

D274,022 S * 5/1984 Caldwell D6/373

D291,632 S * 9/1987 Zola D6/370

D294,783 S * 3/1988 Goldman D6/373

OTHER PUBLICATIONS

hudsonfurniture.com, chair Mika, Jul. 19, 2017, https://hudsonfurnitureinc.com/Chair/Mika/collection.*

* cited by examiner

Primary Examiner — David G Muller
Assistant Examiner — Nathan M Johnston
 (74) *Attorney, Agent, or Firm* — Hodgson Russ LLP

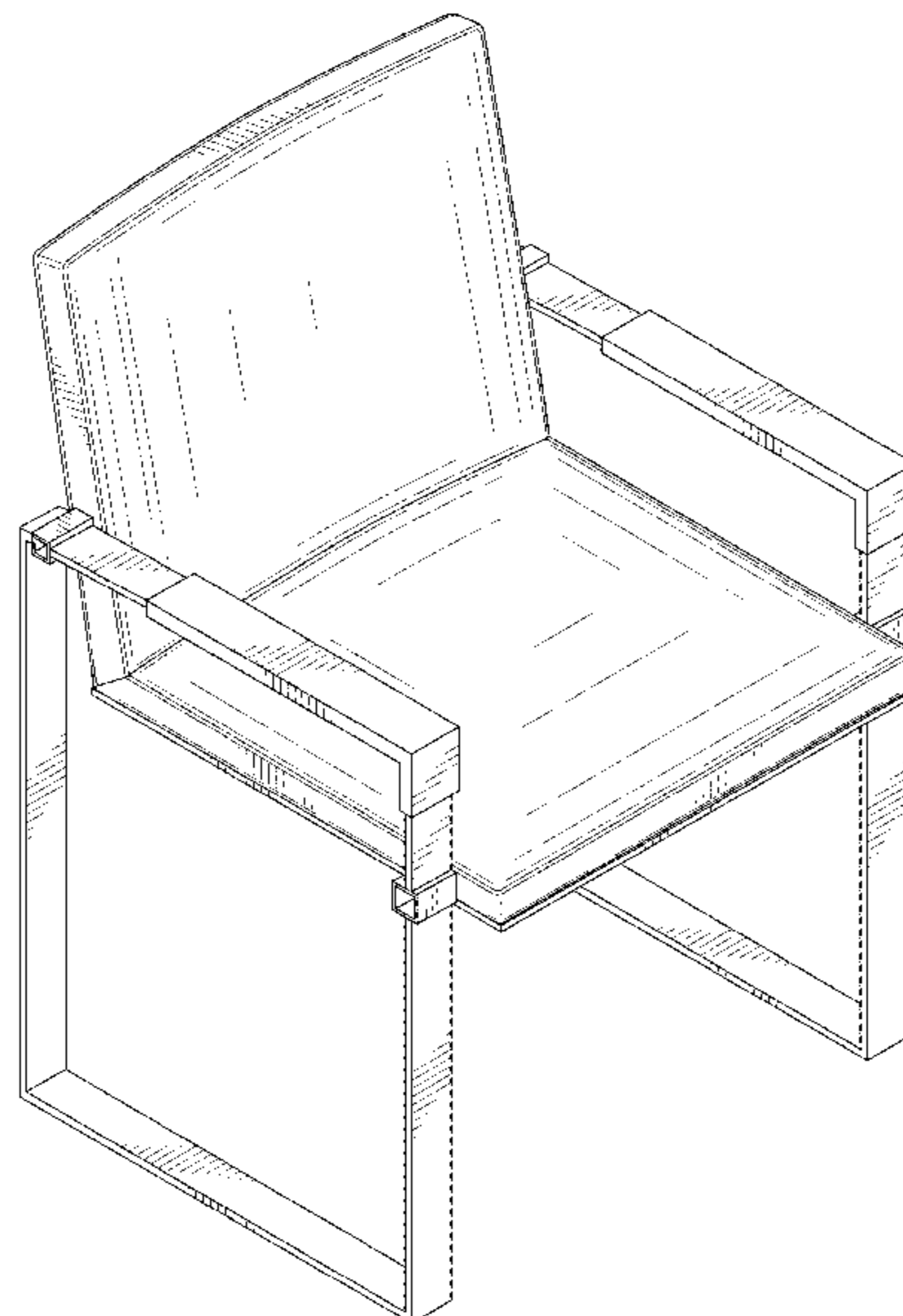
(57) **CLAIM**

The ornamental design for a chair, as shown and described.

DESCRIPTION

FIG. 1 is a perspective view of a chair showing my new design;
 FIG. 2 is a front elevation view thereof;
 FIG. 3 is a rear elevation view thereof;
 FIG. 4 is a right side elevation view thereof;
 FIG. 5 is a left side elevation view thereof;
 FIG. 6 is a top plan view thereof; and,
 FIG. 7 is a bottom plan view thereof.

1 Claim, 7 Drawing Sheets



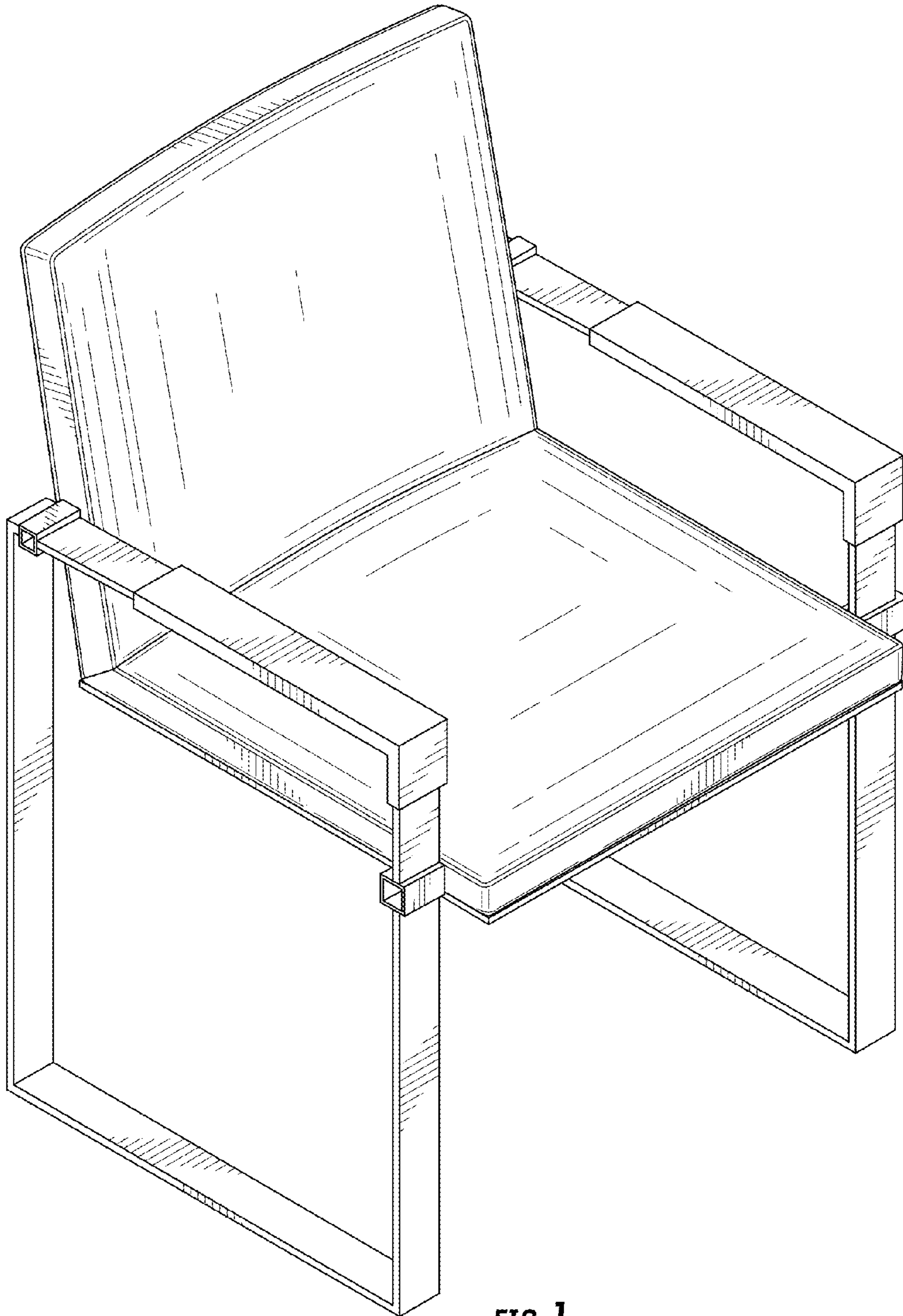


FIG. 1

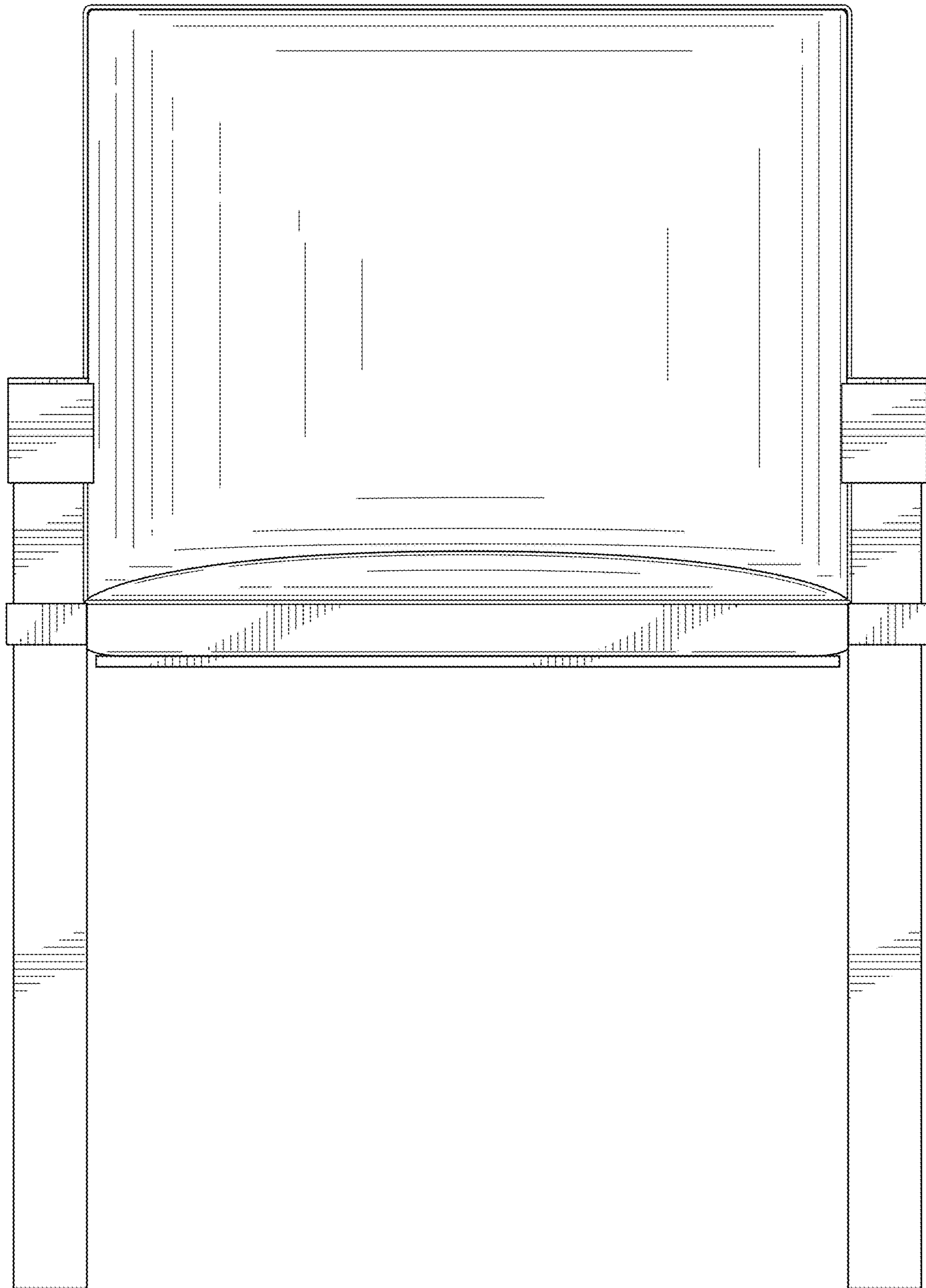


FIG. 2

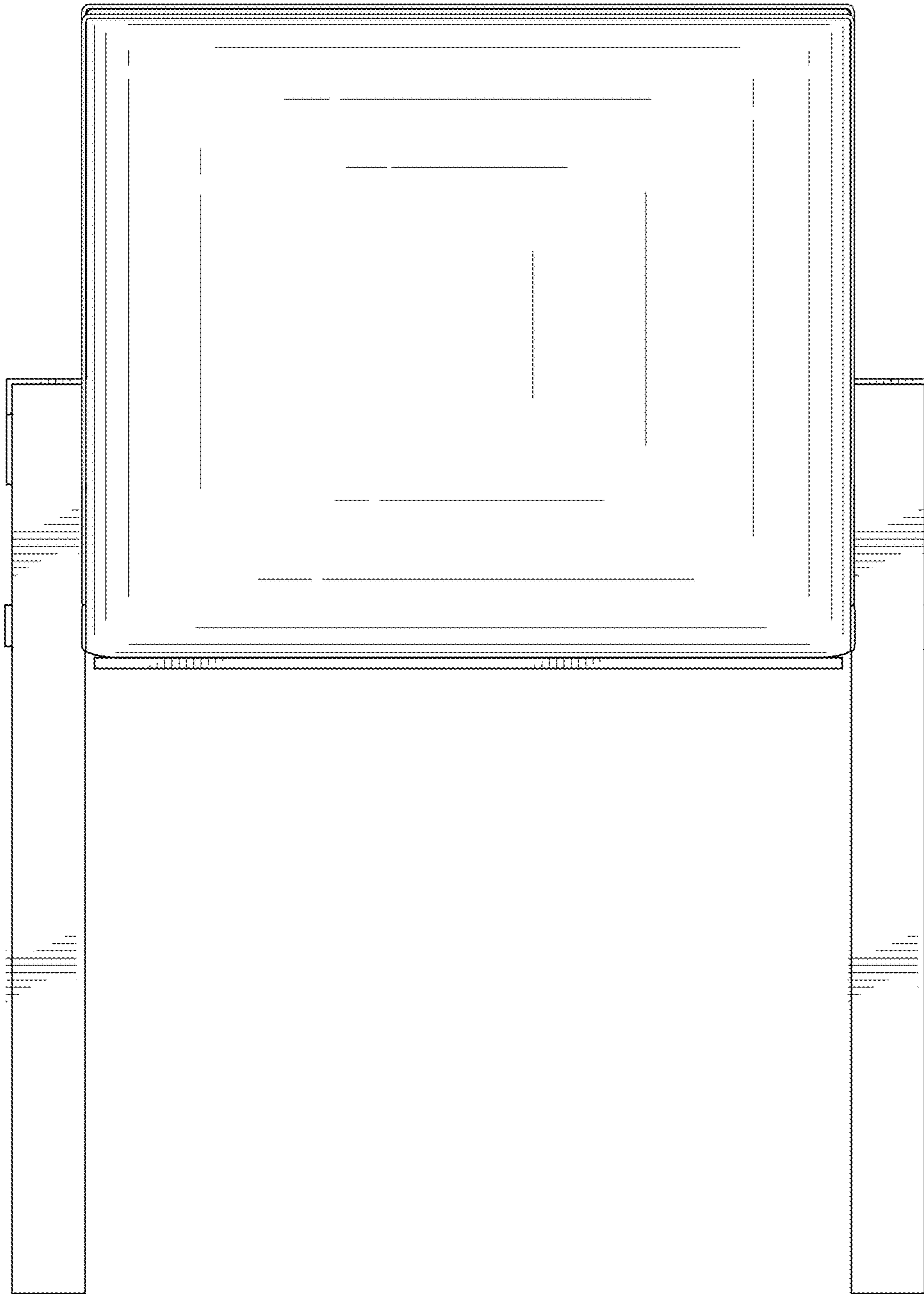


FIG. 3

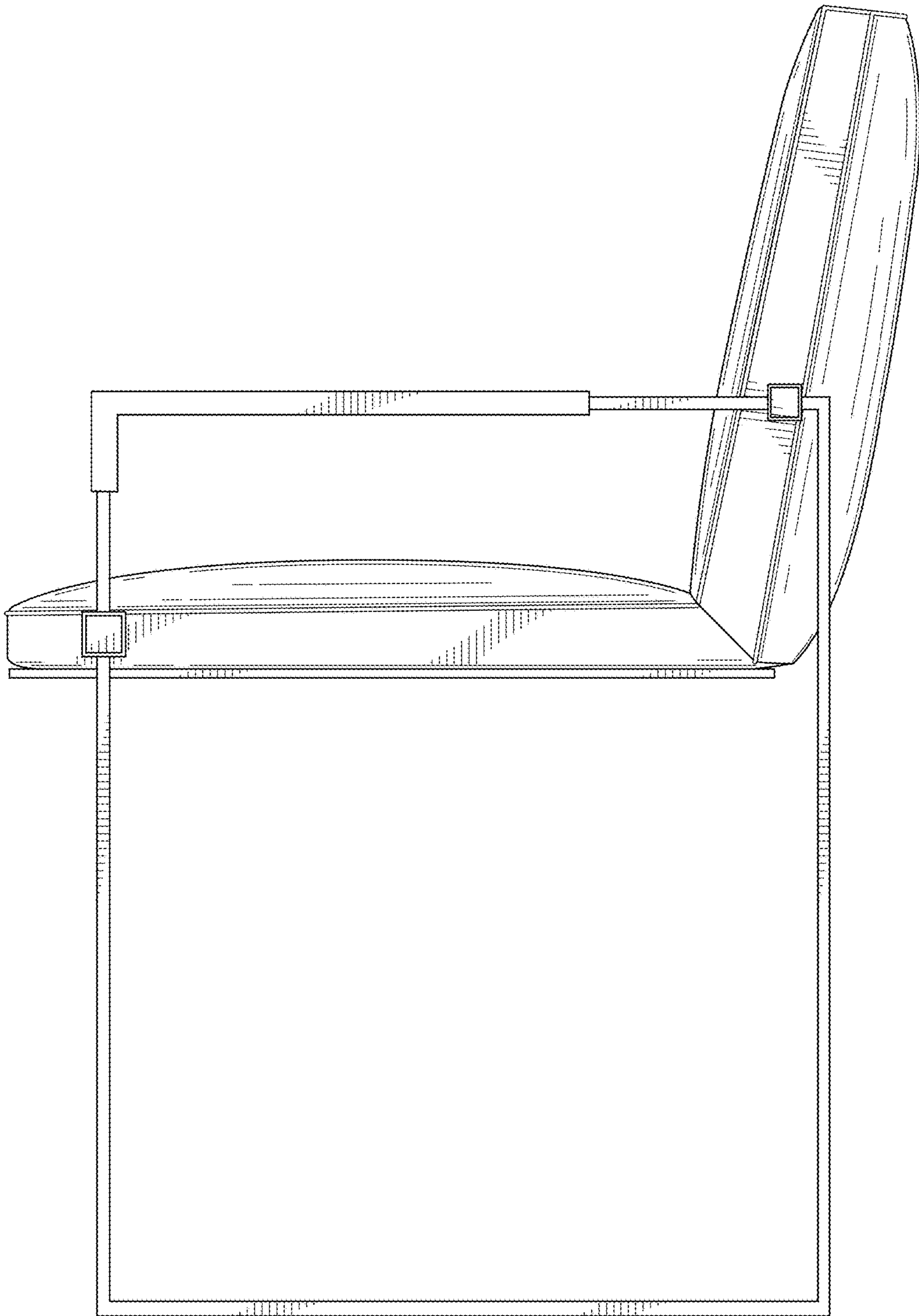


FIG. 4

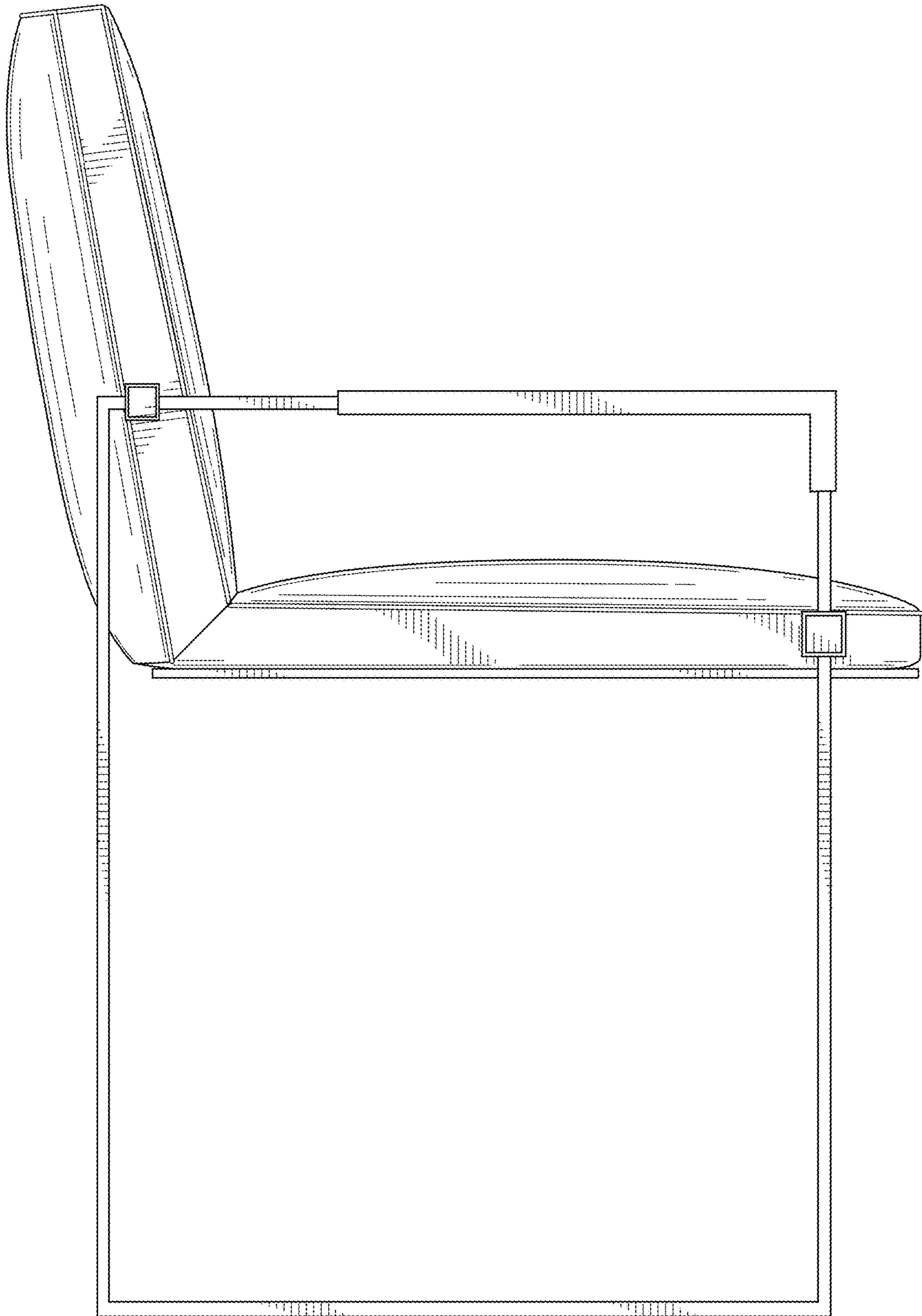


FIG. 5

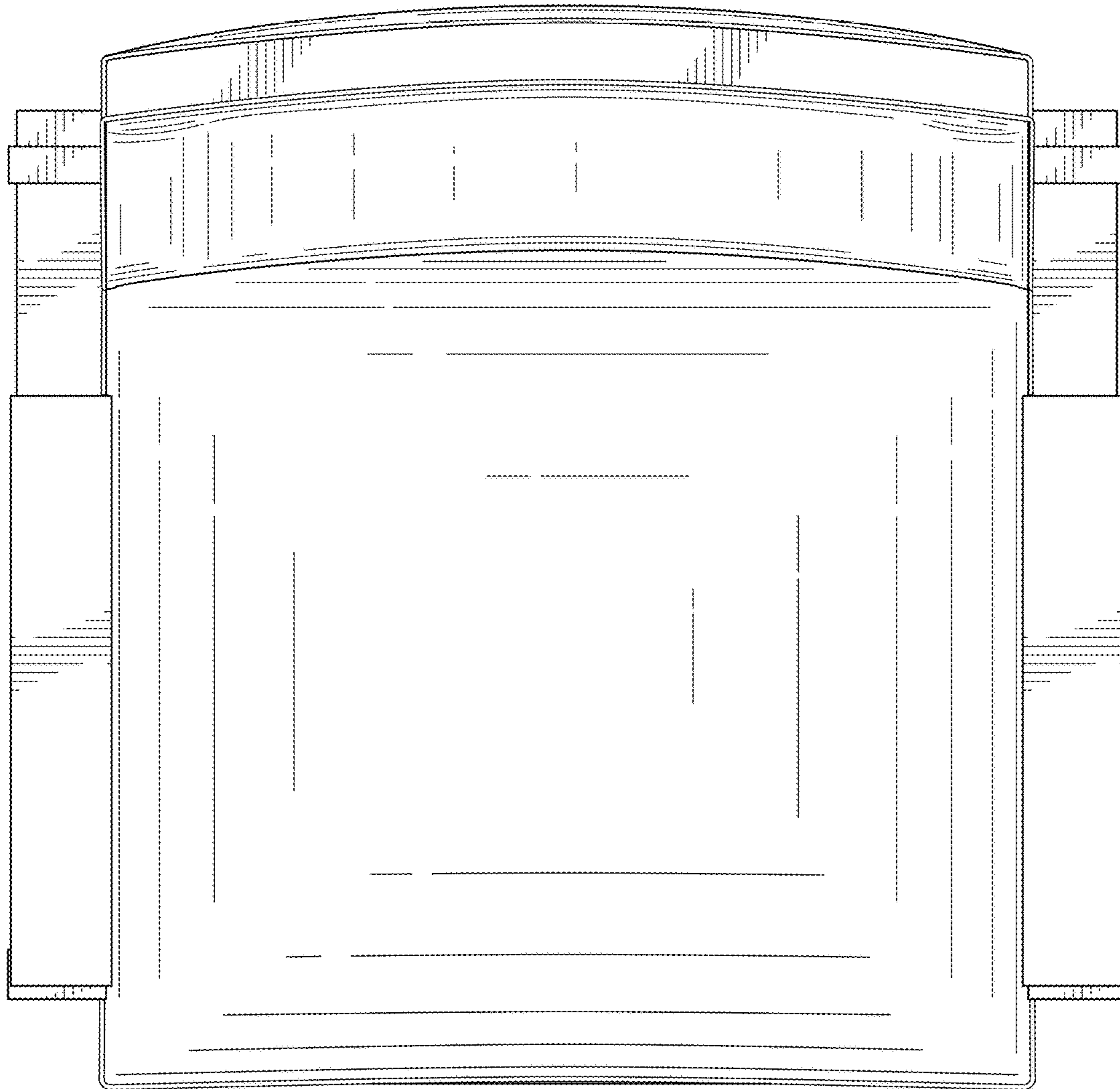


FIG. 6

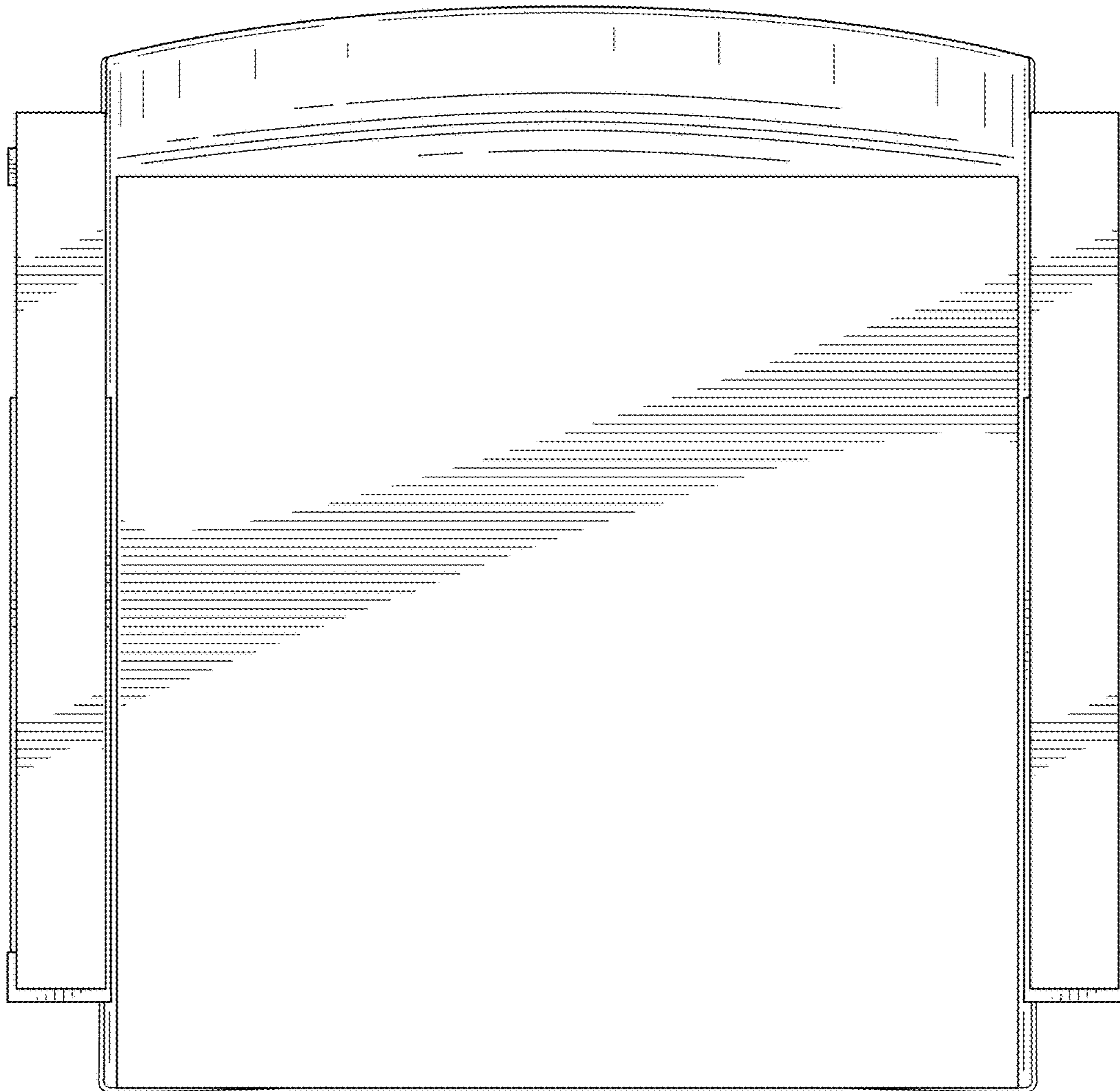


FIG. 7