



US00D799230S

(12) **United States Design Patent** (10) **Patent No.:** **US D799,230 S**
Cvek (45) **Date of Patent:** **** Oct. 10, 2017**

(54) **TASK CHAIR**
(71) Applicant: **Sava Cvek**, Jamaica Plain, MA (US)
(72) Inventor: **Sava Cvek**, Jamaica Plain, MA (US)
(**) Term: **15 Years**
(21) Appl. No.: **29/567,527**
(22) Filed: **Jun. 9, 2016**
(51) **LOC (10) Cl.** **06-01**
(52) **U.S. Cl.**
USPC **D6/366**
(58) **Field of Classification Search**
USPC D6/334-336, 338, 341, 364, 366, 375,
D6/376, 379, 380, 716, 716.1, 716.2,
D6/716.4
CPC A47C 3/12; A47C 4/02; A47C 4/03; A47C
5/12; A47C 7/16
See application file for complete search history.

D558,996 S 1/2008 Igarashi
D559,571 S 1/2008 Meda
D559,572 S 1/2008 Igarashi
D559,573 S 1/2008 Igarashi
D559,574 S 1/2008 Igarashi
D576,809 S 9/2008 Christianson et al.
D576,814 S 9/2008 Baldanzi et al.
D582,170 S 12/2008 Chi
7,517,024 B2 4/2009 Cvek
D595,970 S 7/2009 Ueda
D596,418 S 7/2009 Ueda
D597,329 S 8/2009 Tanaka et al.
D597,349 S 8/2009 Wilkinson et al.
D600,462 S 9/2009 Ooki et al.
D607,653 S 1/2010 Wilkinson et al.
D607,672 S 1/2010 Kubryk
D609,037 S * 2/2010 Miller D6/366

(Continued)

Primary Examiner — Mimoso De
(74) *Attorney, Agent, or Firm* — Thomas P. O’Connell;
O’Connell Law Firm

(57) **CLAIM**

The ornamental design for a task chair, as shown and described.

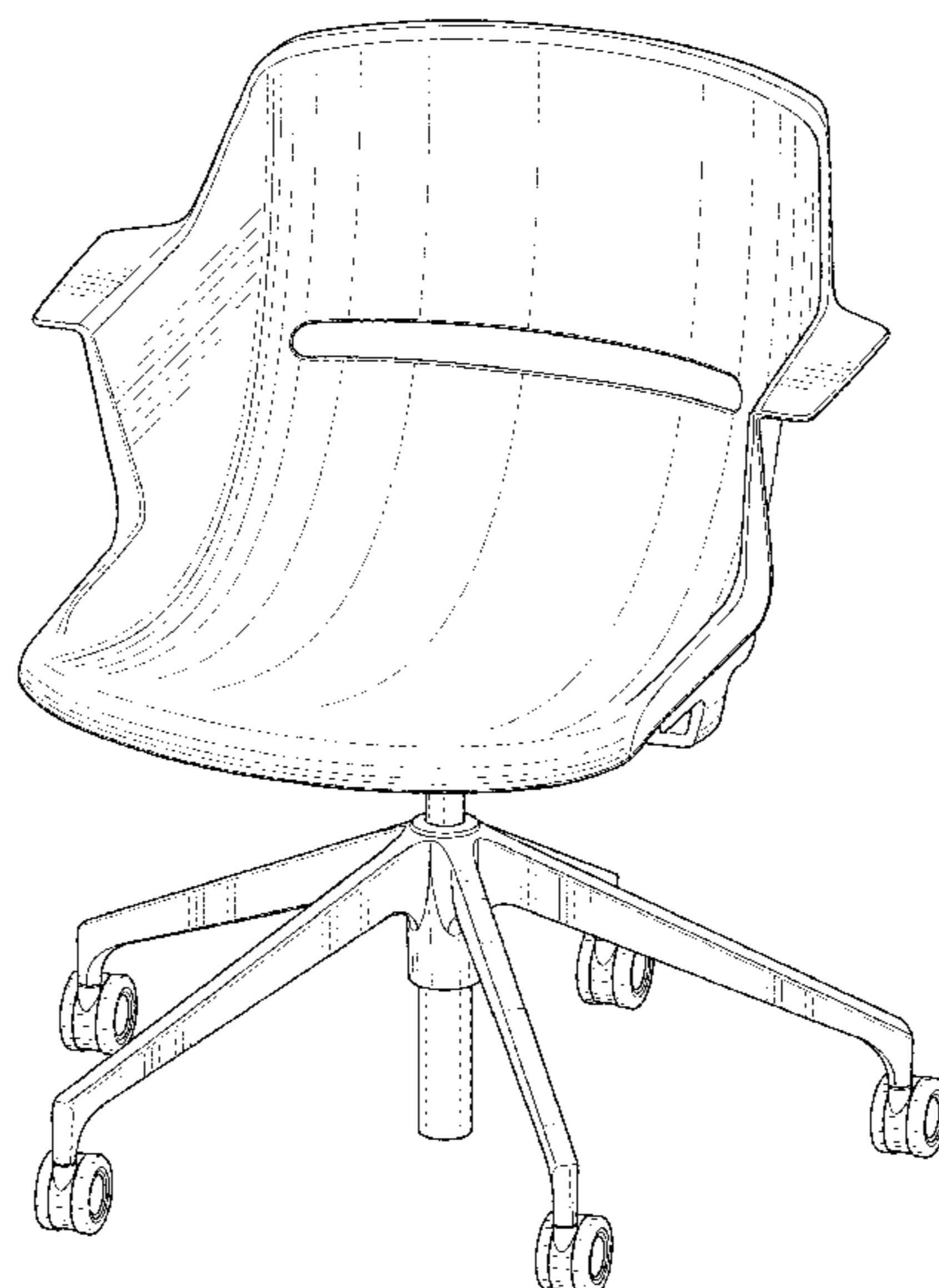
DESCRIPTION

FIG. 1 is a perspective view of a task chair showing my new design;
FIG. 2 is a view in front elevation thereof;
FIG. 3 is a view in right side elevation thereof with the view in left side elevation being a mirror image of the view in right side elevation;
FIG. 4 is a top plan view thereof;
FIG. 5 is a bottom plan view thereof; and,
FIG. 6 is a view in rear elevation thereof.
The broken lines in the drawings represent unclaimed features of the task chair and form no part of the claimed design.

1 Claim, 6 Drawing Sheets

(56) **References Cited**
U.S. PATENT DOCUMENTS

233,140 A	10/1880	Candrian	
2,818,911 A	1/1958	Syak	
4,854,641 A	8/1989	Reineman et al.	
5,772,282 A	6/1998	Stumpf et al.	
6,386,634 B1	5/2002	Stumpf et al.	
6,709,058 B1	3/2004	Diffrient	
D493,626 S	8/2004	James	
D499,895 S	12/2004	Olson et al.	
6,959,965 B2	11/2005	Diffrient	
6,966,604 B2	11/2005	Stumpf et al.	
D514,832 S	2/2006	Tsai	
D517,820 S	3/2006	Citterio	
D521,755 S	5/2006	Kinoshita et al.	
D535,112 S	1/2007	Bernett et al.	
D535,838 S *	1/2007	Ritch	D6/366
D546,085 S *	7/2007	Ritch	D6/366
D557,027 S	12/2007	Hara	
D558,995 S	1/2008	Igarashi	



(56)

References Cited

U.S. PATENT DOCUMENTS

D609,482 S	2/2010	Englisch et al.	
D613,085 S	4/2010	Fujita	
D613,087 S	4/2010	Fujita	
7,806,478 B1	10/2010	Cvek	
D636,612 S *	4/2011	Overthun	D6/338
D636,613 S *	4/2011	Overthun	D6/338
D636,614 S	4/2011	Sander et al.	
D646,085 S *	10/2011	Overthun	D6/375
D646,497 S *	10/2011	Overthun	D6/375
D649,795 S	12/2011	Izawa	
D652,223 S	1/2012	Fujita	
D654,709 S	2/2012	Fujita	
D654,710 S	2/2012	Fujita	
D654,711 S	2/2012	Fujita	
D655,522 S	3/2012	Czumaj-Bront et al.	
D656,752 S	4/2012	Moll	
D662,331 S	6/2012	Czumaj-Bront et al.	
D663,129 S	7/2012	Greutmann	
D665,589 S	8/2012	Wagner	
D665,592 S	8/2012	Citterio	
D666,016 S	8/2012	Citterio	
D667,231 S	9/2012	Citterio	
D667,243 S *	9/2012	Su	D6/716
D670,927 S	11/2012	Hurford	
D671,332 S	11/2012	Izawa	
D671,759 S	12/2012	Hurford	
D679,107 S	4/2013	Darrow et al.	
D679,517 S *	4/2013	Corcorran	A47C 3/12 D6/375
D687,641 S	8/2013	Barrell	
D688,056 S	8/2013	Phillips et al.	
D688,483 S	8/2013	Aratani	
D690,523 S	10/2013	Choi	
D694,537 S	12/2013	Smith et al.	
D694,538 S	12/2013	Smith et al.	
D696,886 S	1/2014	Nakamura	
D701,068 S	3/2014	Usumoto et al.	
D703,988 S	5/2014	Smith et al.	
D704,487 S	5/2014	Smith et al.	
D704,944 S	5/2014	Koepke et al.	
D707,976 S	7/2014	Smith et al.	
D710,640 S	8/2014	Usumoto et al.	
D711,127 S	8/2014	Wilkinson et al.	
D713,664 S	9/2014	Vetter et al.	
D714,069 S	9/2014	Cvek	
D714,070 S	9/2014	Cvek	
D724,367 S	3/2015	Sander	
D726,468 S *	4/2015	McKenna	D6/716
D727,076 S	4/2015	Usumoto	
D727,079 S	4/2015	Usumoto	
D728,292 S	5/2015	Ooki	
D729,529 S *	5/2015	Robins	D6/338
D729,530 S *	5/2015	Robins	D6/338
D729,564 S *	5/2015	Robins	D6/716
D731,801 S *	6/2015	McKenna	D6/366
D731,802 S *	6/2015	McKenna	D6/366
D738,657 S *	9/2015	Robins	D6/375
D763,612 S *	8/2016	Goetz	D6/716
D771,961 S *	11/2016	Mahan-Rudolph	D6/341
D772,626 S *	11/2016	Mahan-Rudolph	D6/716.1
2005/0275265 A1	12/2005	Deimen et al.	

* cited by examiner

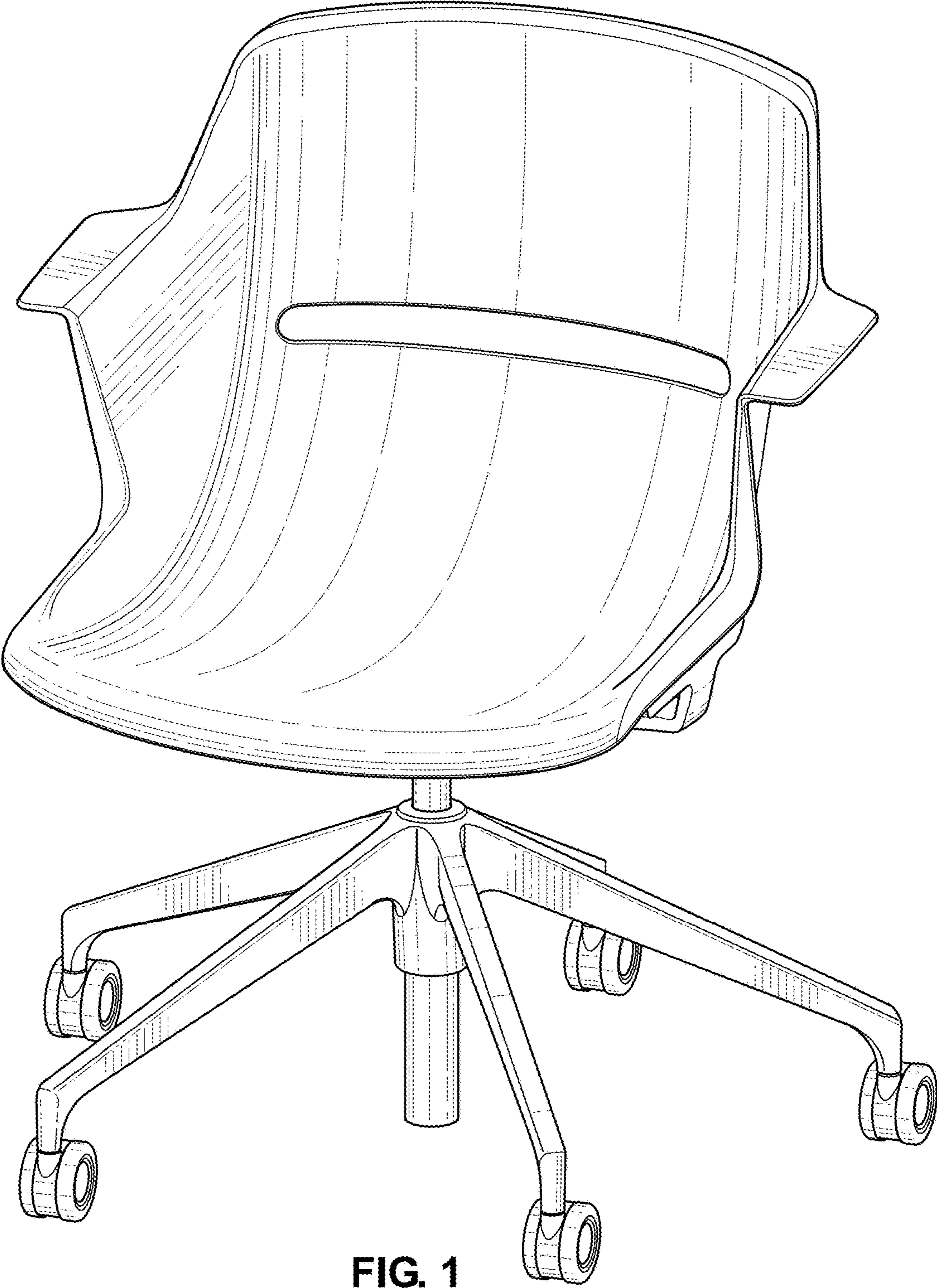


FIG. 1

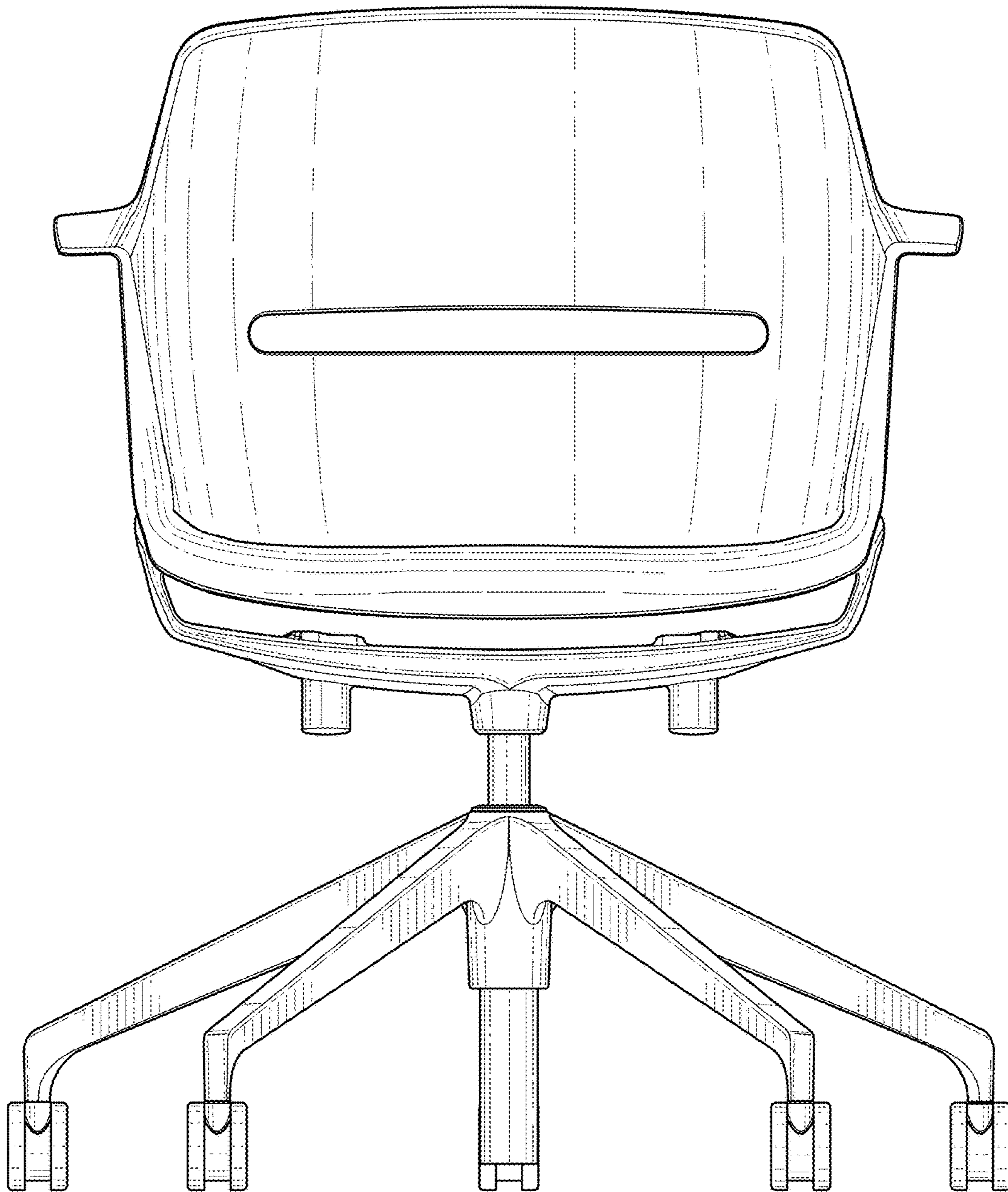


FIG. 2

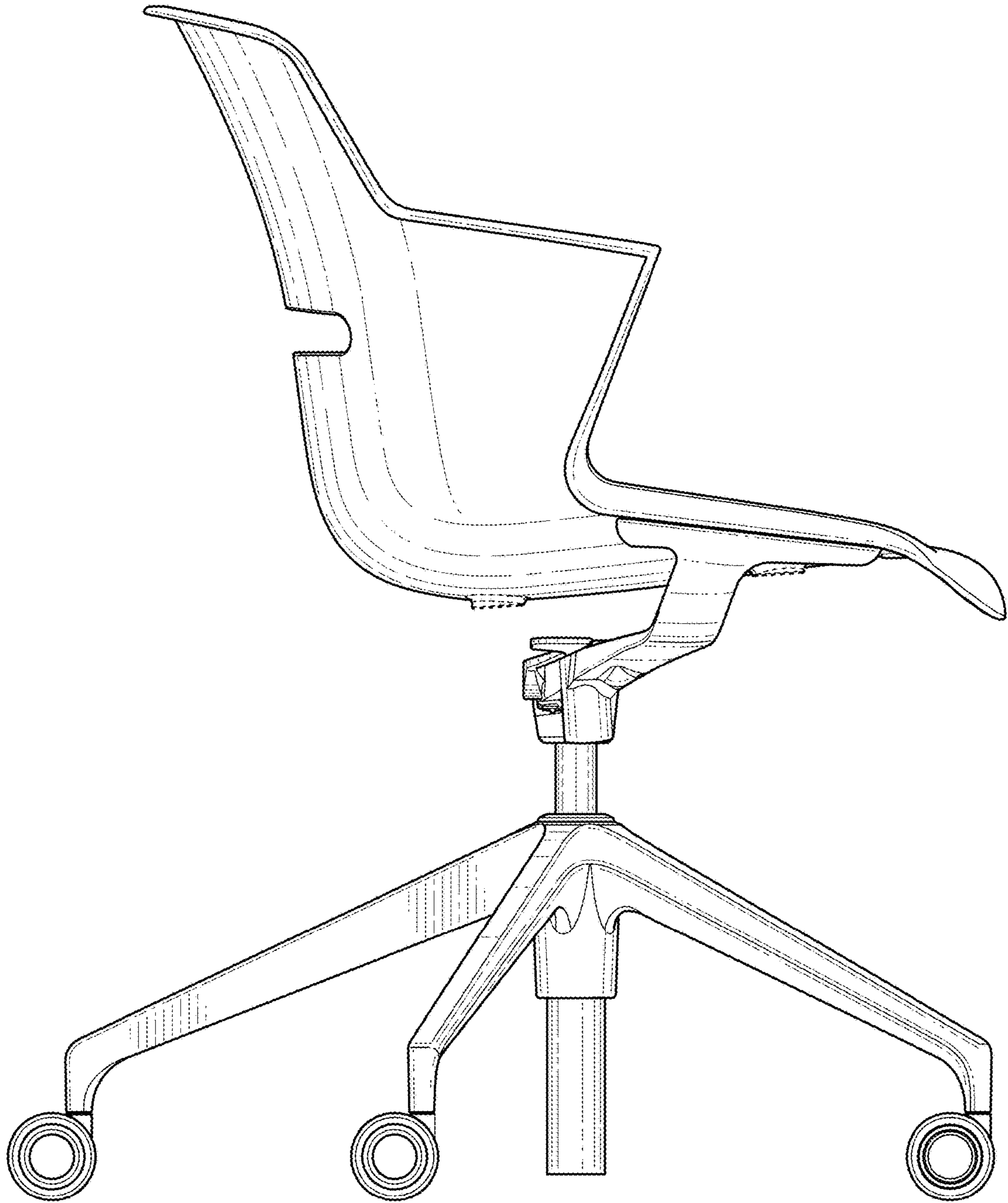


FIG. 3

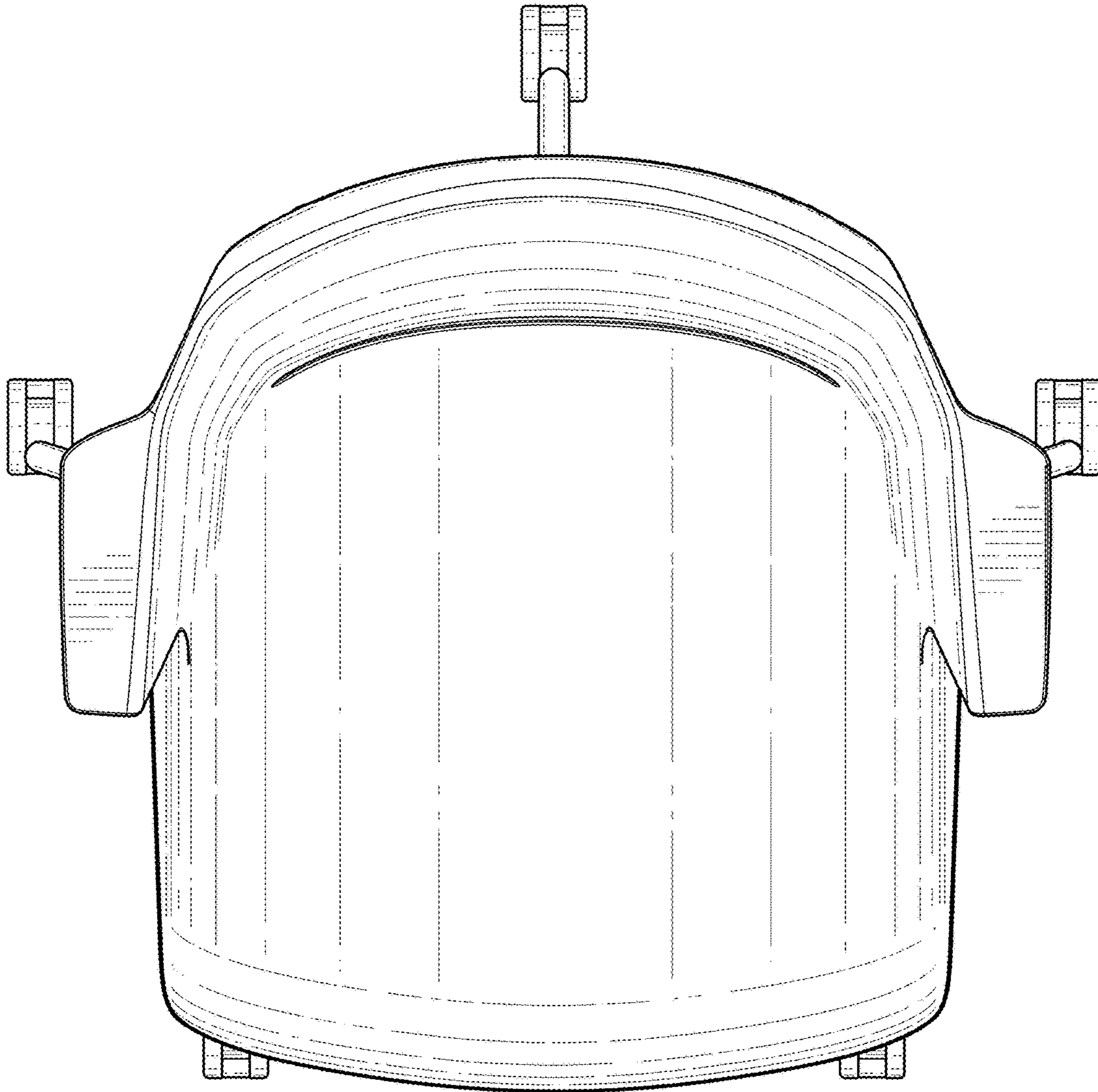


FIG. 4

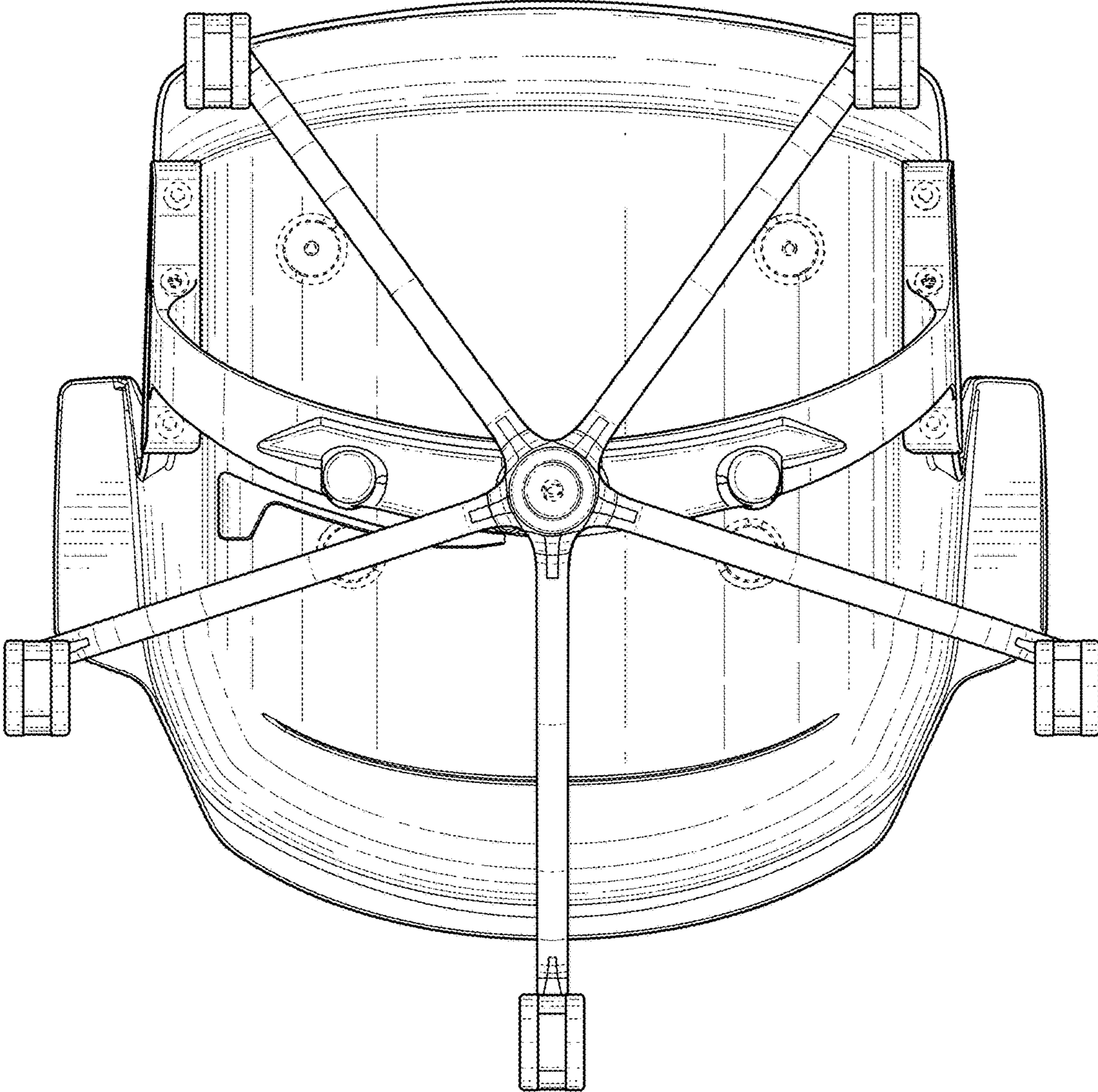


FIG. 5

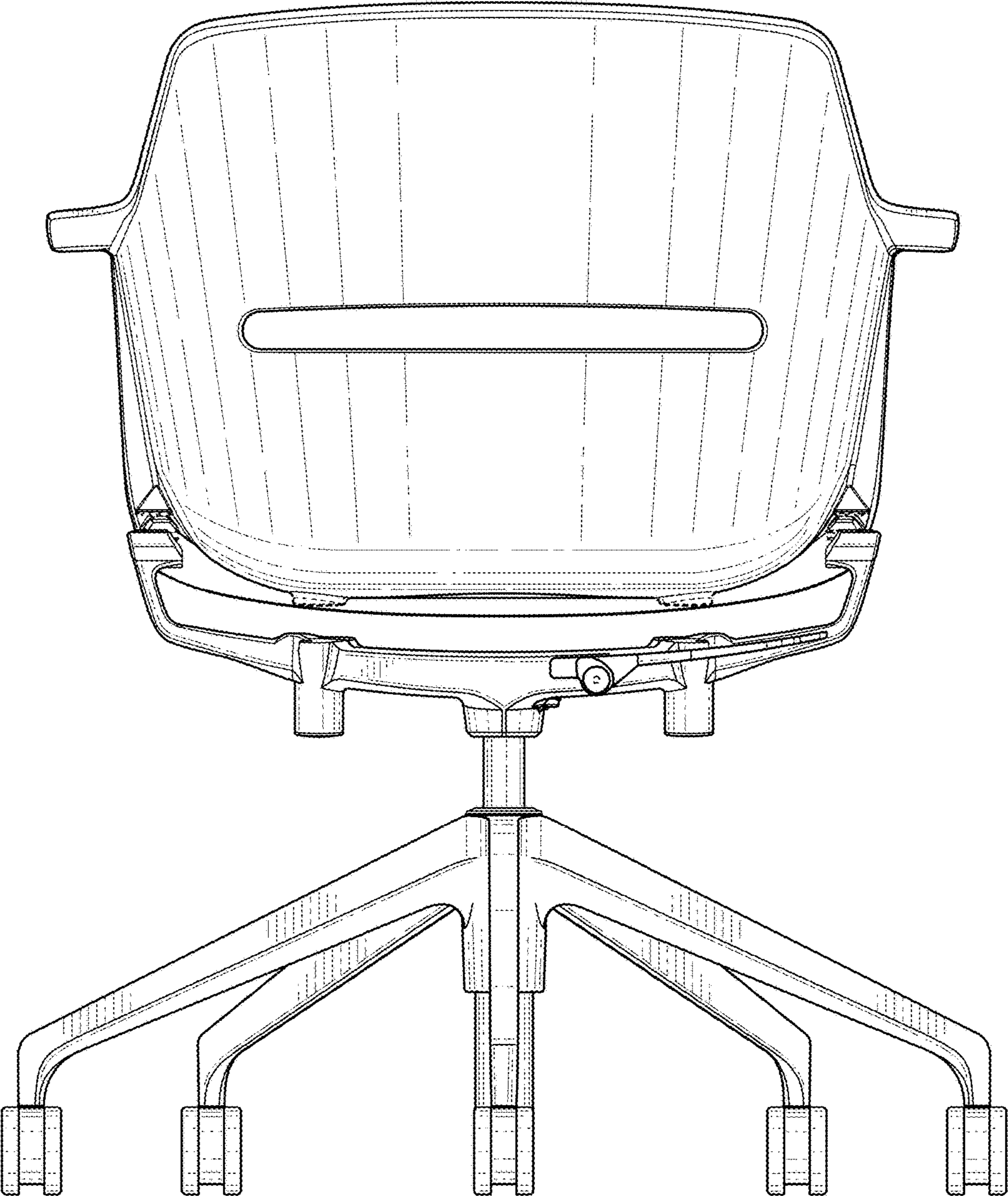


FIG. 6