

US00D799224S

(12) **United States Design Patent** (10) **Patent No.:** **US D799,224 S**
Callum et al. (45) **Date of Patent:** **** Oct. 10, 2017**

(54) **VEHICLE REAR SEAT**
(71) Applicant: **Ford Global Technologies, LLC**,
Dearborn, MI (US)
(72) Inventors: **Moray S. Callum**, Ann Arbor, MI
(US); **Soo Kang-Morales**, Northville,
MI (US); **James Smithbauer**, West
Bloomfield, MI (US); **Nahshon**
Francis, Novi, MI (US); **David**
Woodhouse, Troy, MI (US)
(73) Assignee: **Ford Global Technologies, LLC**,
Dearborn, MI (US)
(**) Term: **15 Years**
(21) Appl. No.: **29/505,608**
(22) Filed: **Dec. 23, 2015**
(51) **LOC (10) Cl.** **06-01**
(52) **U.S. Cl.**
USPC **D6/356**
(58) **Field of Classification Search**
USPC D6/334, 335, 336, 356, 367, 368, 374,
D6/375, 708.21, 716, 716.1, 716.2, 716.3,
D6/716.4, 16.5

(Continued)

(56) **References Cited**

U.S. PATENT DOCUMENTS

D270,876 S * 10/1983 Ikeda D6/356
D332,181 S * 1/1993 Sacco D6/356

(Continued)

FOREIGN PATENT DOCUMENTS

CA 2718177 A1 * 9/2009 B60N 2/0881
JP DE 102014211877 * 12/2014 B60N 2/682

(Continued)

OTHER PUBLICATIONS

2011 Rear Seat, Posted on Ridelust [online] by Kurt Ernst on Jun.
12, 2011, Retrieved from the internet on Oct. 18, 2016

URL< <http://www.ridelust.com/2011-audi-a8l-4-2-quattro-ridelust-review/rear-seats-49/> >.*

(Continued)

Primary Examiner — Manpreet Matharu
Assistant Examiner — Keith Wilson
(74) *Attorney, Agent, or Firm* — Damian Porcari; Burris
Law, PLLC

(57) **CLAIM**

The ornamental design for a vehicle rear seat, as shown and
described.

DESCRIPTION

FIG. 1 is a top front right perspective view of a first
embodiment of a vehicle rear seat;
FIG. 2 is a bottom front right perspective view of the first
embodiment of the vehicle rear seat;
FIG. 3 is a top rear right perspective view of the first
embodiment of the vehicle rear seat;
FIG. 4 is a front elevational view of the first embodiment of
the vehicle rear seat;
FIG. 5 is a rear elevational view of the first embodiment of
the vehicle rear seat;
FIG. 6 is a right side elevational view of the first embodi-
ment of the vehicle rear seat;
FIG. 7 is a left side elevational view of the first embodiment
of the vehicle rear seat;
FIG. 8 is a top plan view of the first embodiment of the
vehicle rear seat;
FIG. 9 is a top front right perspective view of a second
embodiment of the vehicle rear seat;
FIG. 10 is a bottom front right perspective view of the
second embodiment of the vehicle rear seat;
FIG. 11 is a top rear right perspective view of the second
embodiment of the vehicle rear seat;
FIG. 12 is a front elevational view of the second embodi-
ment of the vehicle rear seat;
FIG. 13 is a rear elevational view of the second embodiment
of the vehicle rear seat;
FIG. 14 is a right side elevational view of the second
embodiment of the vehicle rear seat;

(Continued)

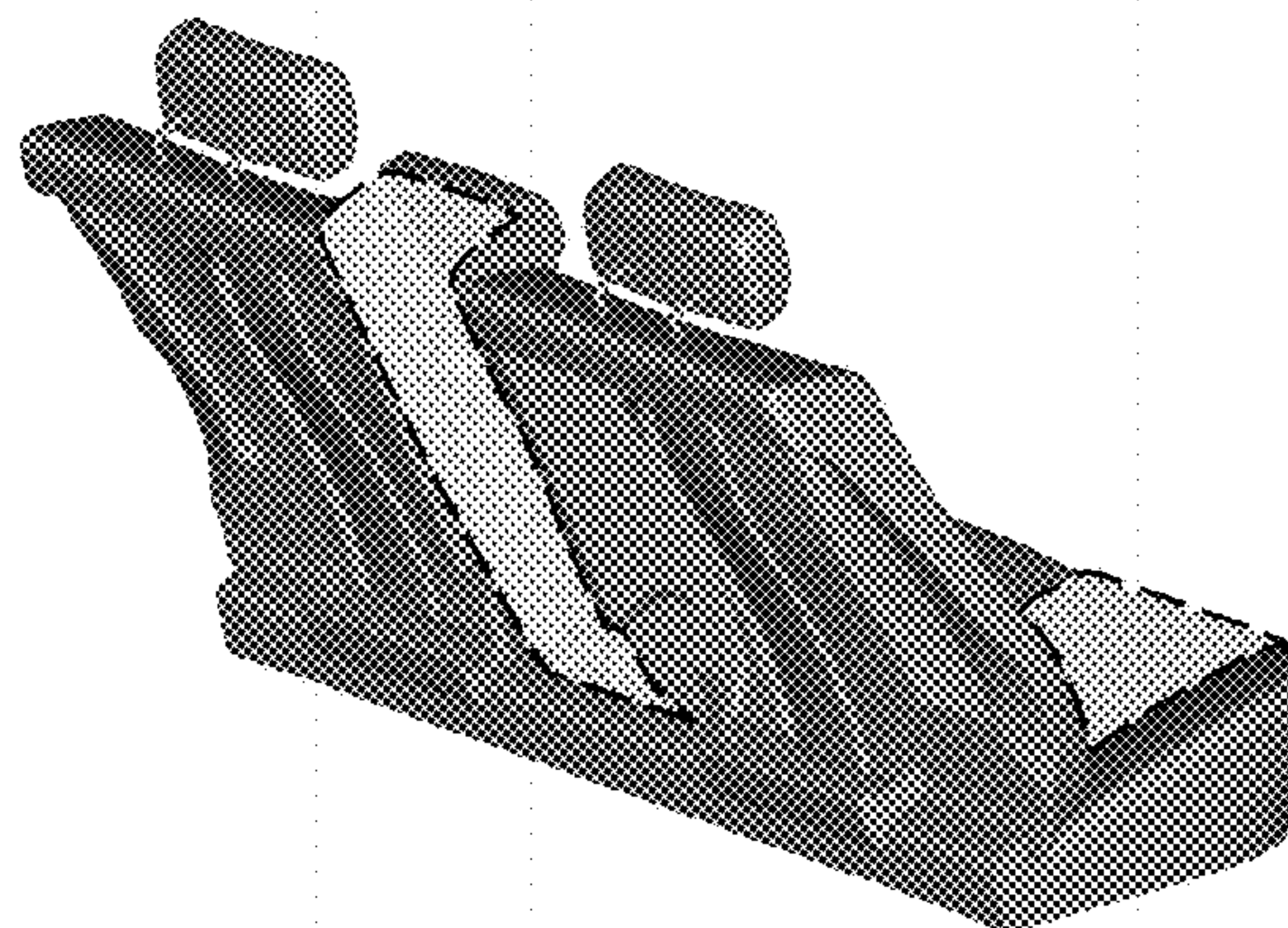
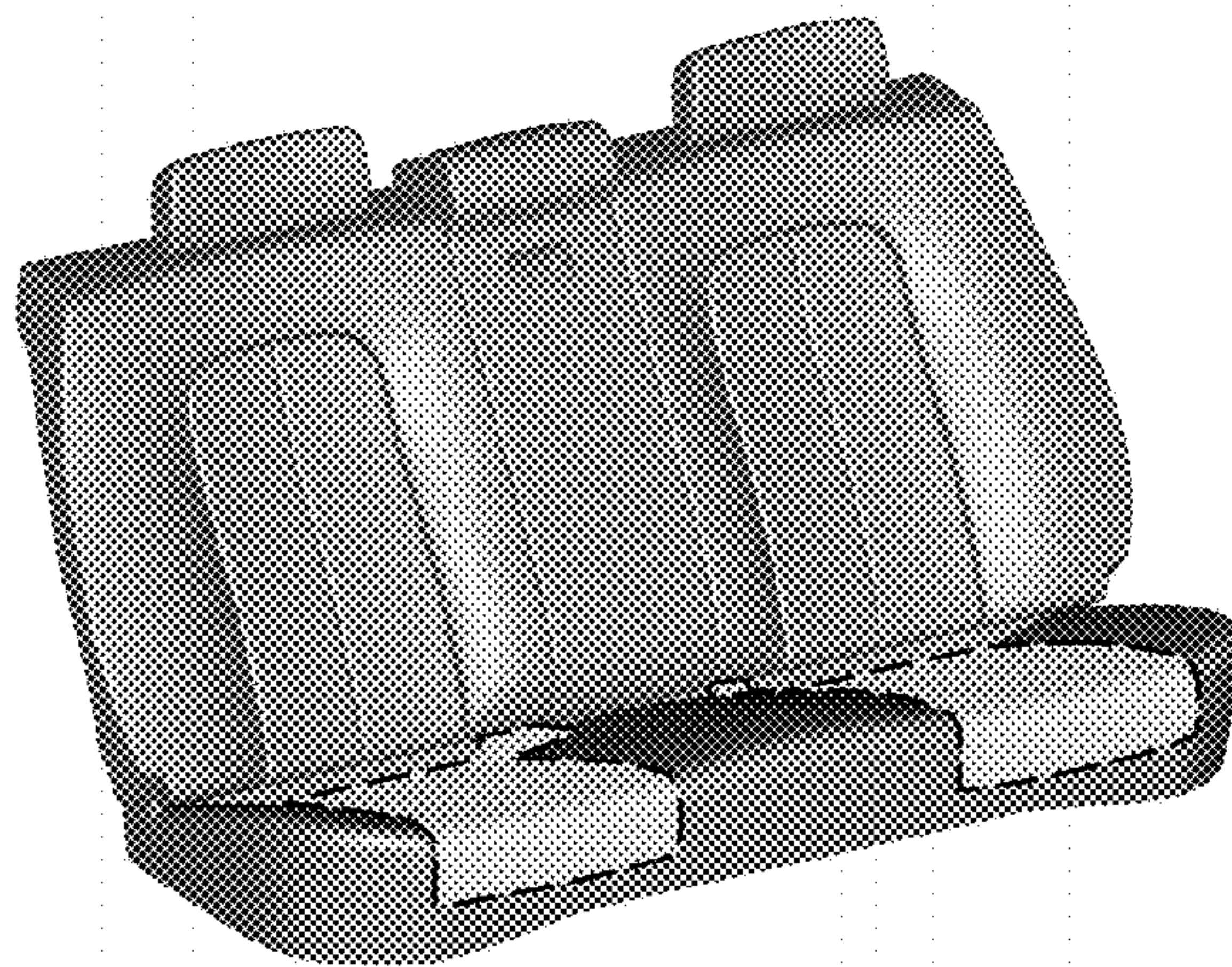


FIG. 15 is a left side elevational view of the second embodiment of the vehicle rear seat; and, FIG. 16 is a top plan view of the second embodiment of the vehicle rear seat.

The broken lines define the bounds of the claim. The broken lines and the lightened portions of the article shown inside the broken lines form no part of the claimed design.

1 Claim, 16 Drawing Sheets

(58) **Field of Classification Search**

CPC .. A47C 7/022; A47C 7/18; A47C 7/40; A47C 7/383; B60N 2/22; B60N 2/48; B60N 2/66; B60N 2/449; B60N 2/4882; B60N 2/067; B60N 2/0715

See application file for complete search history.

(56)

References Cited

U.S. PATENT DOCUMENTS

D355,777	S	*	2/1995	Emoto	D6/334
D358,262	S	*	5/1995	Smoczynski	D6/334
D391,087	S	*	2/1998	Sacco	D6/356
D439,775	S	*	4/2001	Sauey	D6/356
D442,376	S	*	5/2001	Norman	D6/356
D460,279	S	*	7/2002	Moburg	D6/356
D513,132	S	*	12/2005	Yamazaki	D6/356
D576,811	S	*	9/2008	Wyszogrod	D6/356
D578,315	S	*	10/2008	Wyszogrod	D6/356
D653,866	S	*	2/2012	Wada	D6/356
D749,332	S	*	2/2016	Prince	D6/356
D750,926	S	*	3/2016	Line	D6/716.1
D750,927	S	*	3/2016	Line	D6/716.4

2002/0070594	A1*	6/2002	Mochizuki	B60N 2/02 297/344.1
2014/0203611	A1*	7/2014	Kondrad	B60N 2/22 297/354.12
2014/0238188	A1*	8/2014	Ito	B60N 2/0228 74/664
2014/0361590	A1*	12/2014	Line	B60N 2/449 297/284.9
2015/0008716	A1*	1/2015	Dry	B60N 2/44 297/452.18
2015/0061338	A1*	3/2015	Nagayasu	B60N 2/449 297/353
2015/0191106	A1*	7/2015	Inoue	B60N 2/0715 248/429
2015/0231997	A1*	8/2015	Itoi	B60N 2/44 297/391
2016/0031351	A1*	2/2016	Galbreath	B60N 2/64 297/284.1
2016/0059740	A1*	3/2016	Shimizu	B60N 2/682 248/429

FOREIGN PATENT DOCUMENTS

WO	WO 2013137065	A1 *	9/2013	B60N 2/66
WO	WO 2013146547	A1 *	10/2013	B60N 2/68
WO	WO 2013160990	A1 *	10/2013	B60N 2/70
WO	WO 2014024936	A1 *	2/2014	B60N 2/48
WO	WO 2014027627	A1 *	2/2014	B60N 2/68
WO	WO 2014077392	A1 *	5/2014	B60N 2/68
WO	WO 2014167638	A1 *	10/2014	B60N 2/72

OTHER PUBLICATIONS

2017 Ford Rear Seat, Posted on Ford Cars Info. [online], Retrived from th einternet on Oct. 18, 2016 URL < <http://www.fordcarsinfo.com/2017/2017-ford-fusion-platinum/> >.*

* cited by examiner

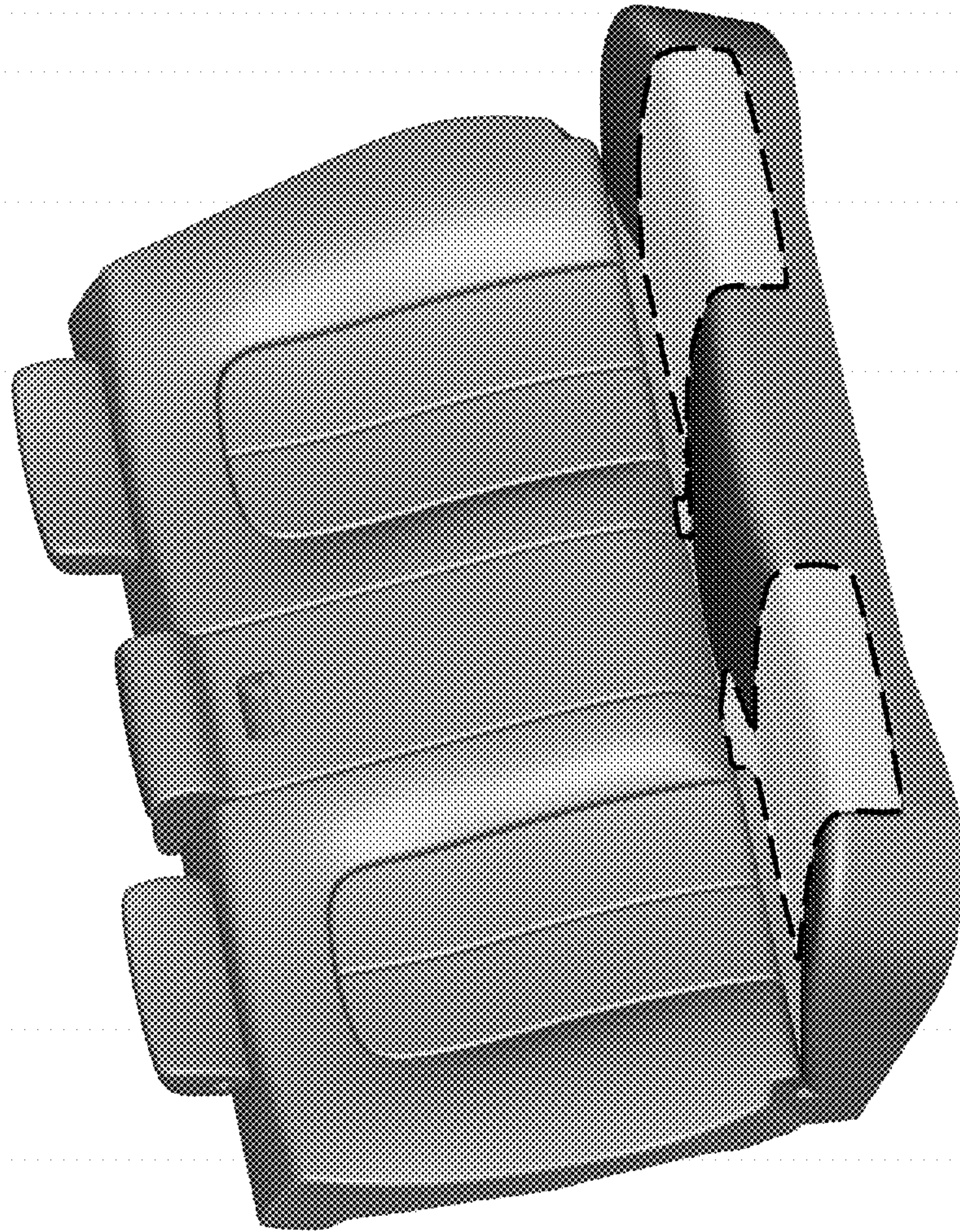


Figure 1

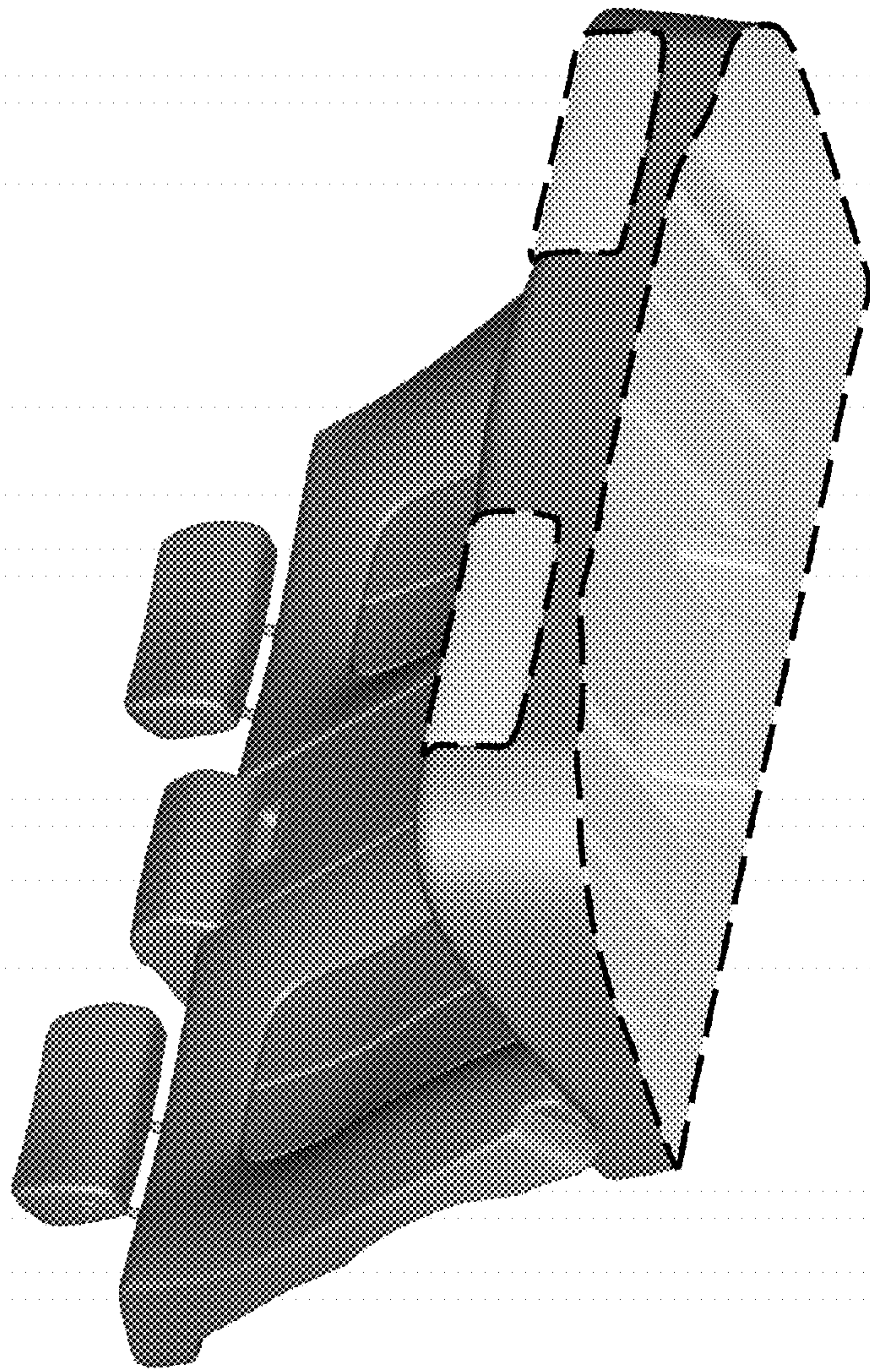


Figure 2

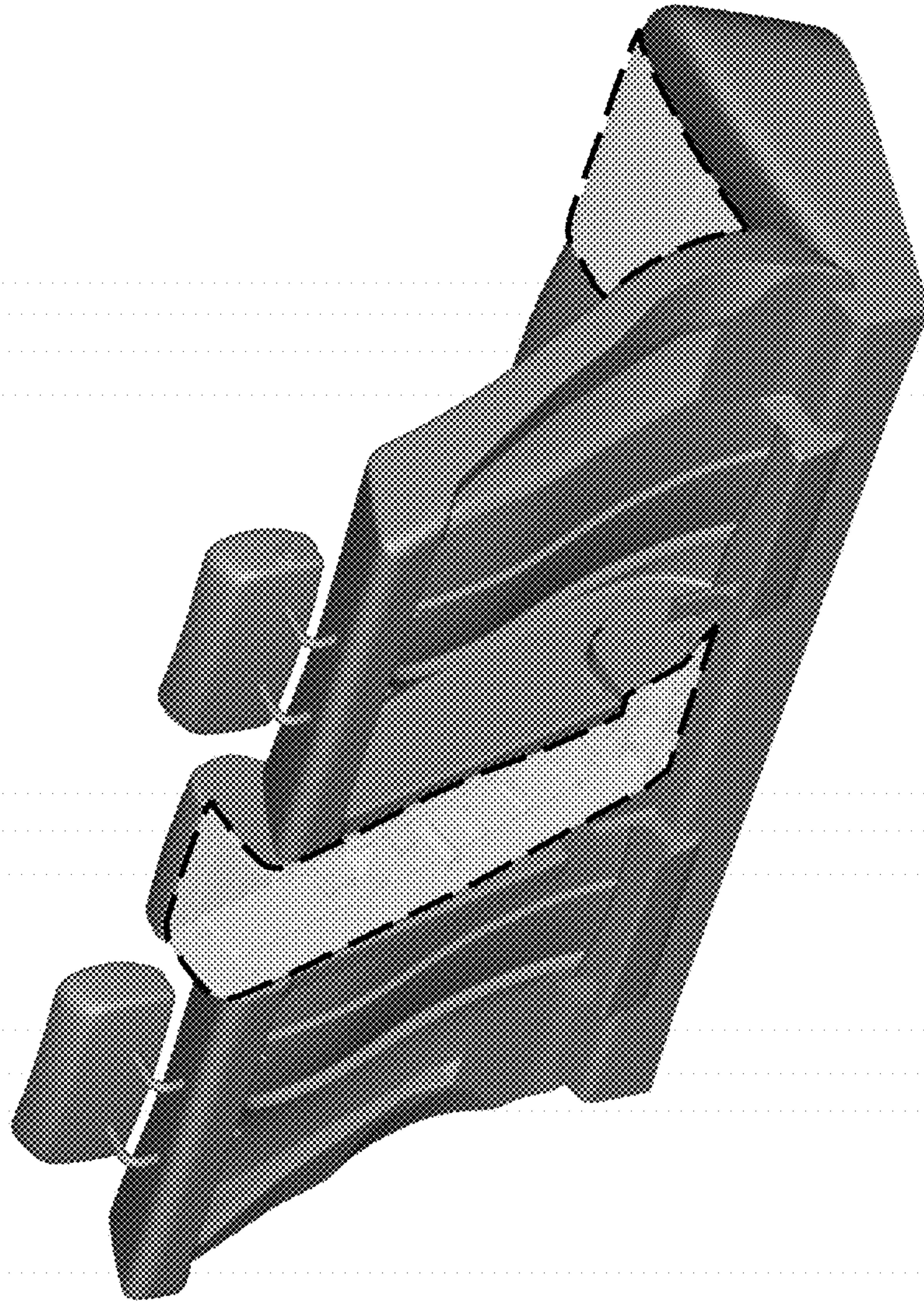


Figure 3

Figure 4

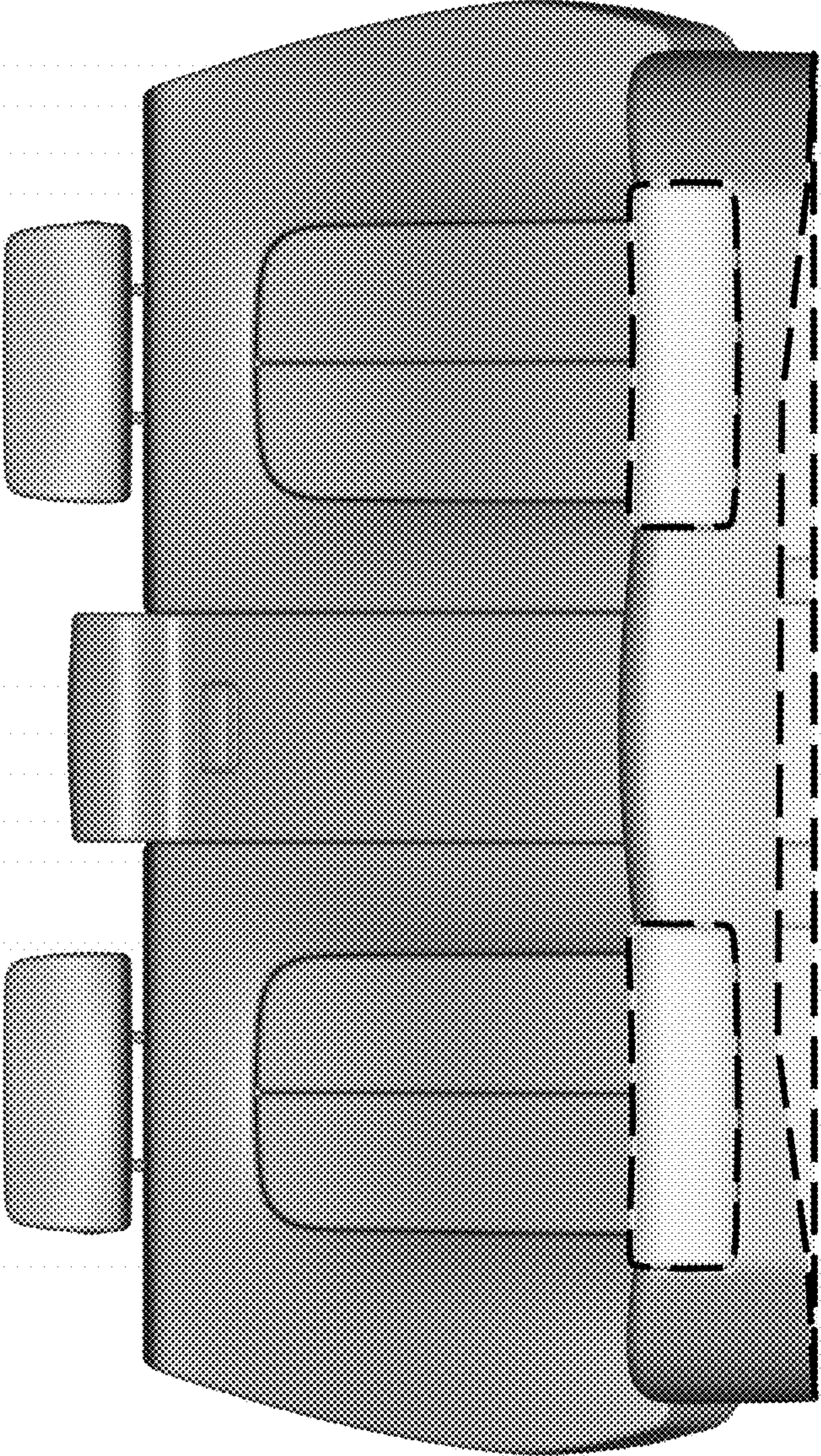
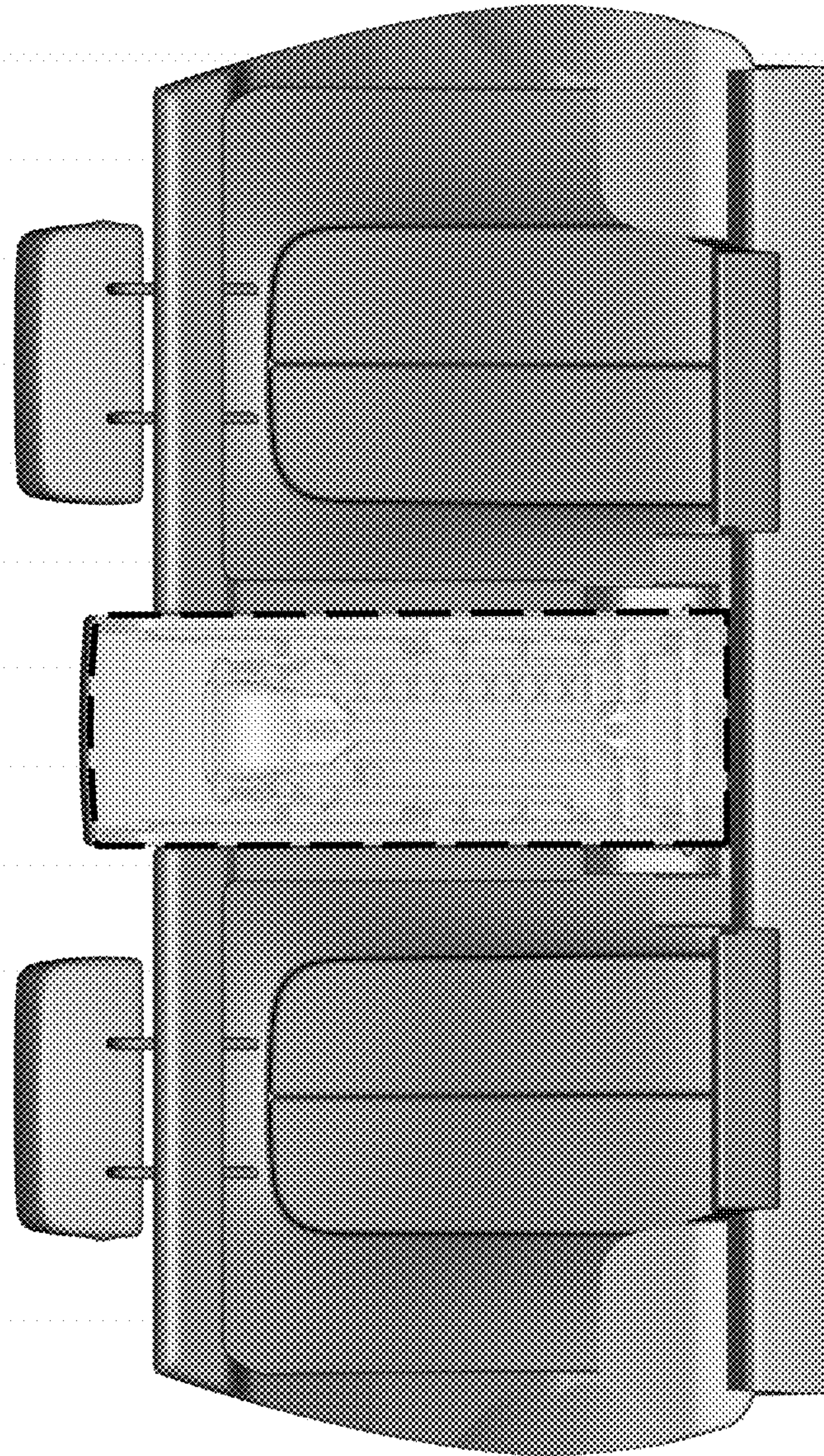


Figure 5



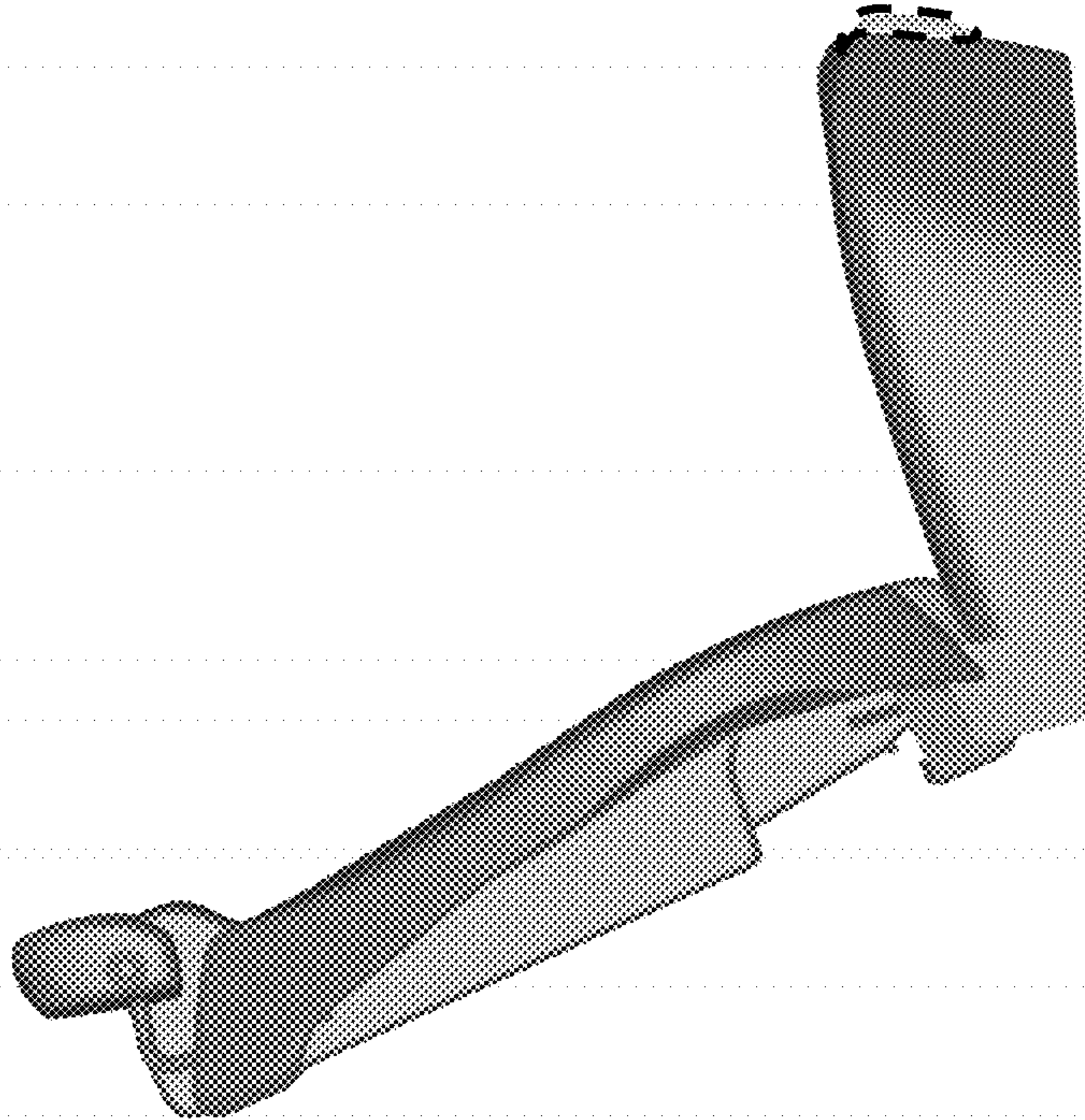


Figure 6

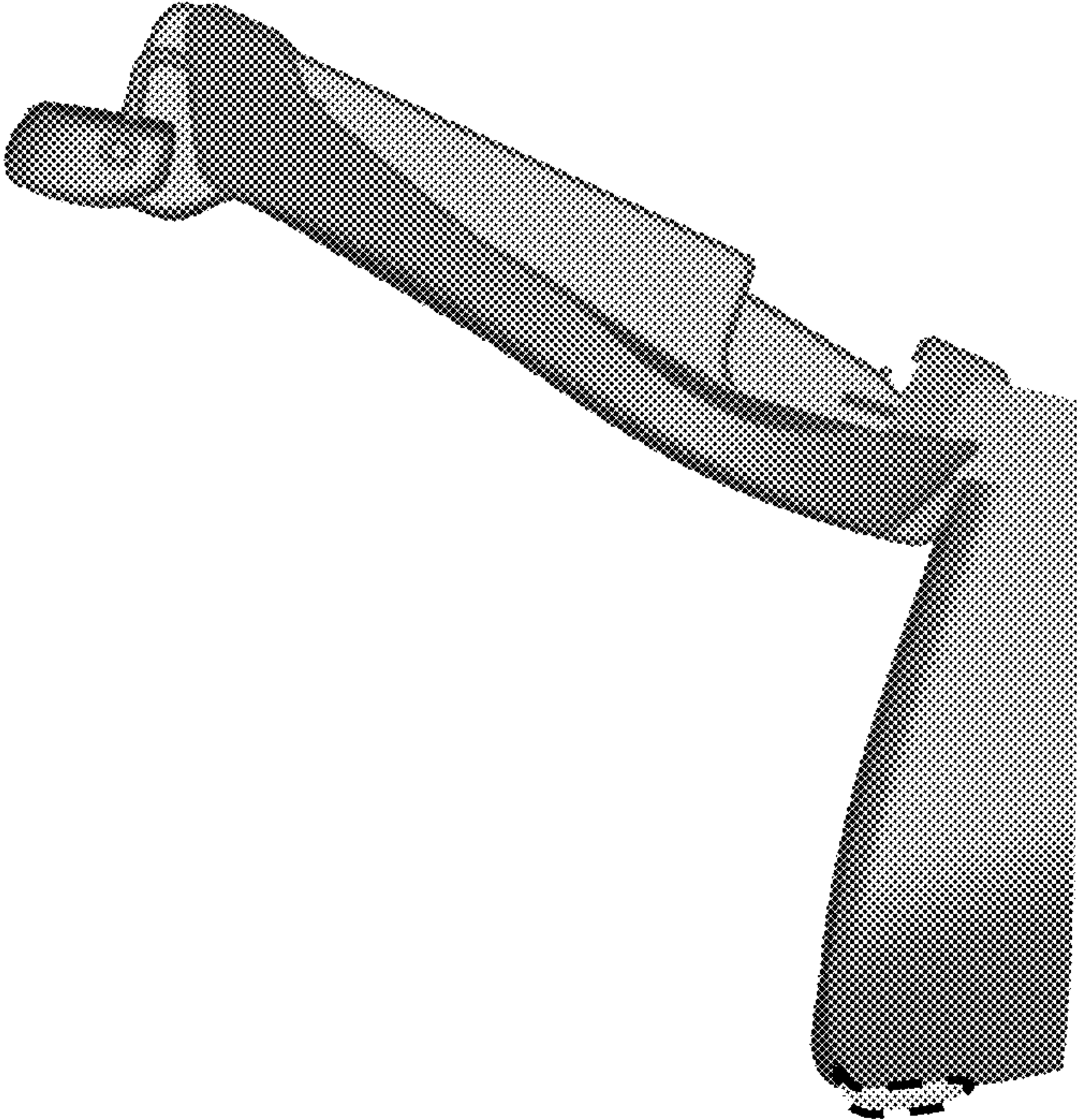


Figure 7

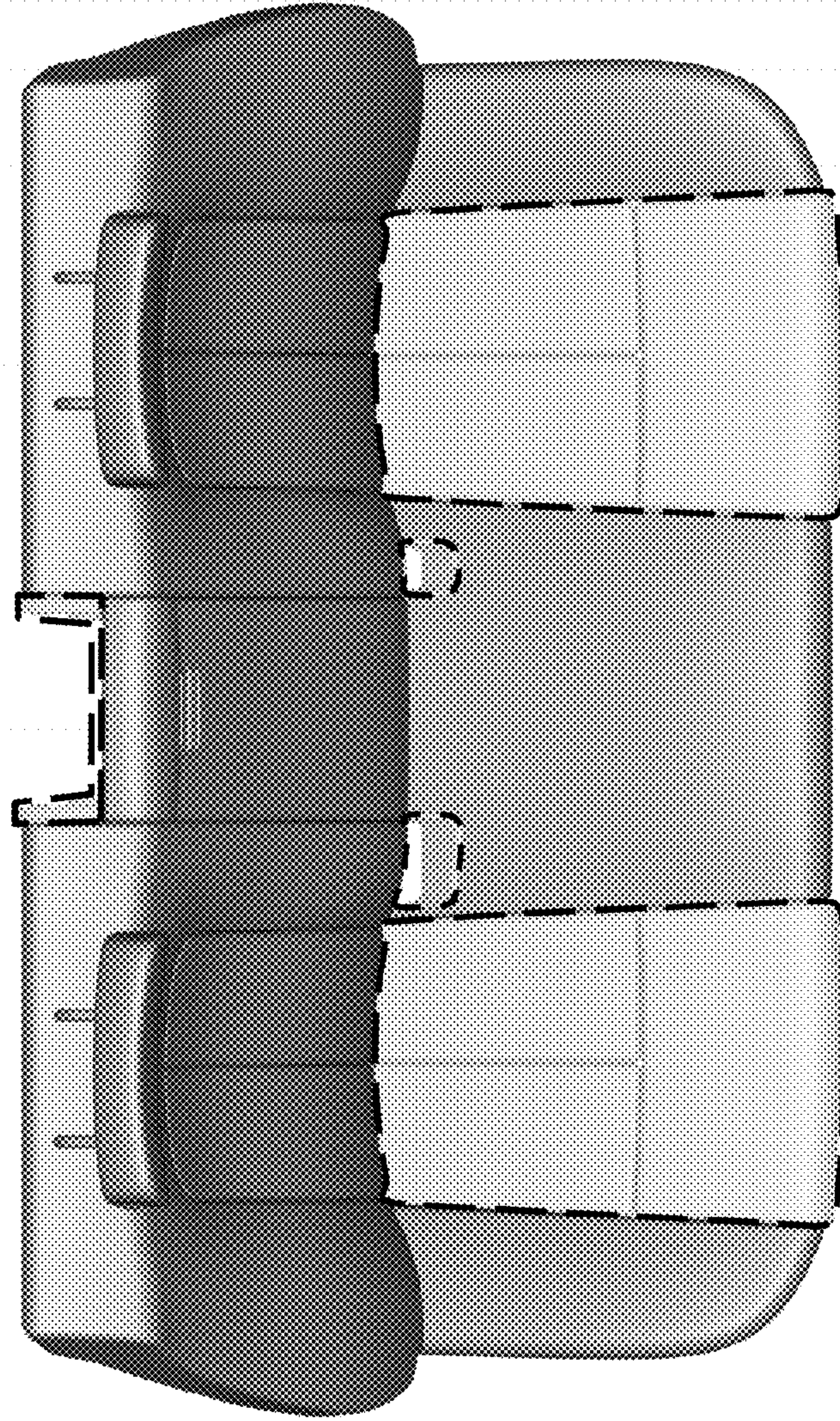


Figure 8

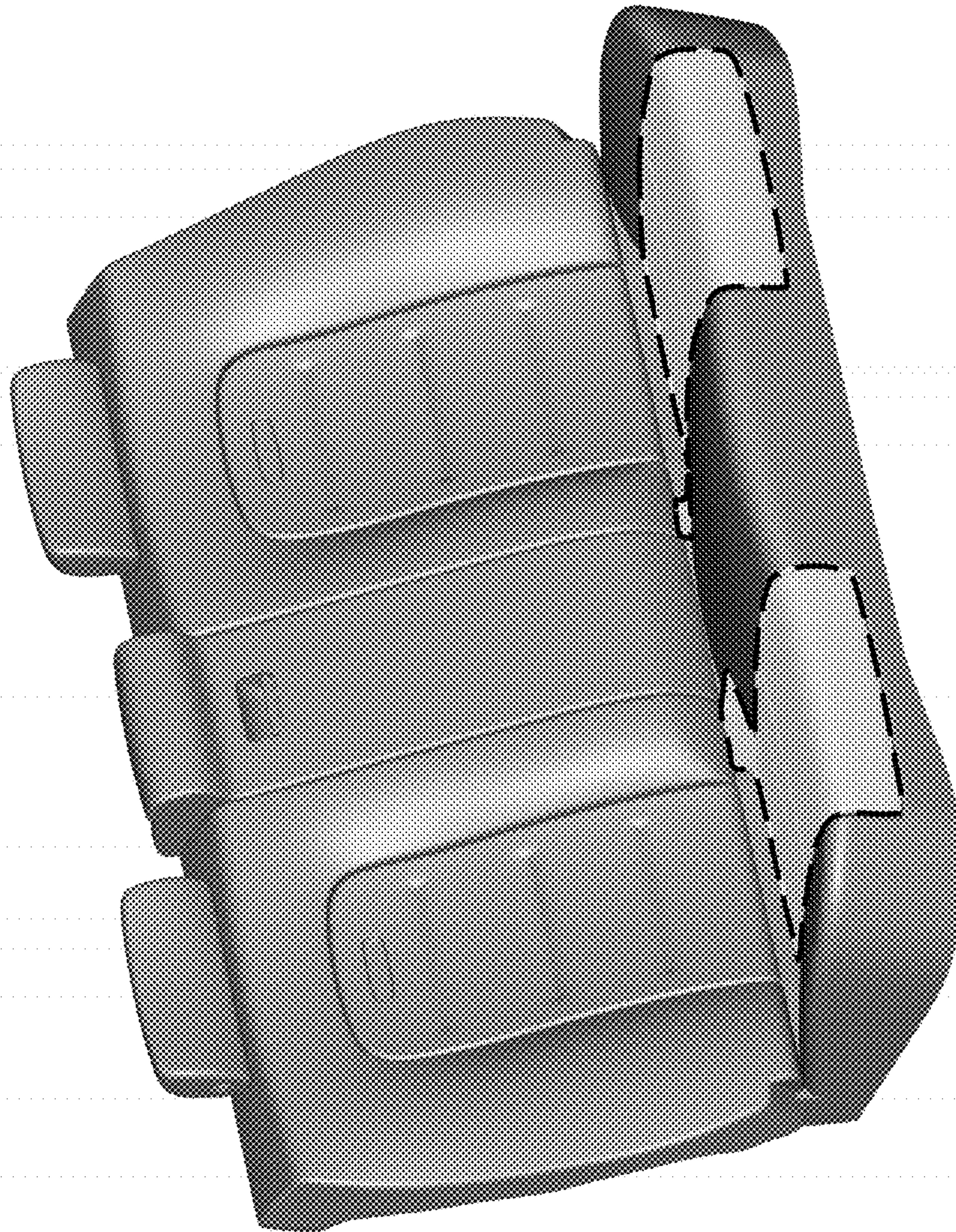


Figure 9

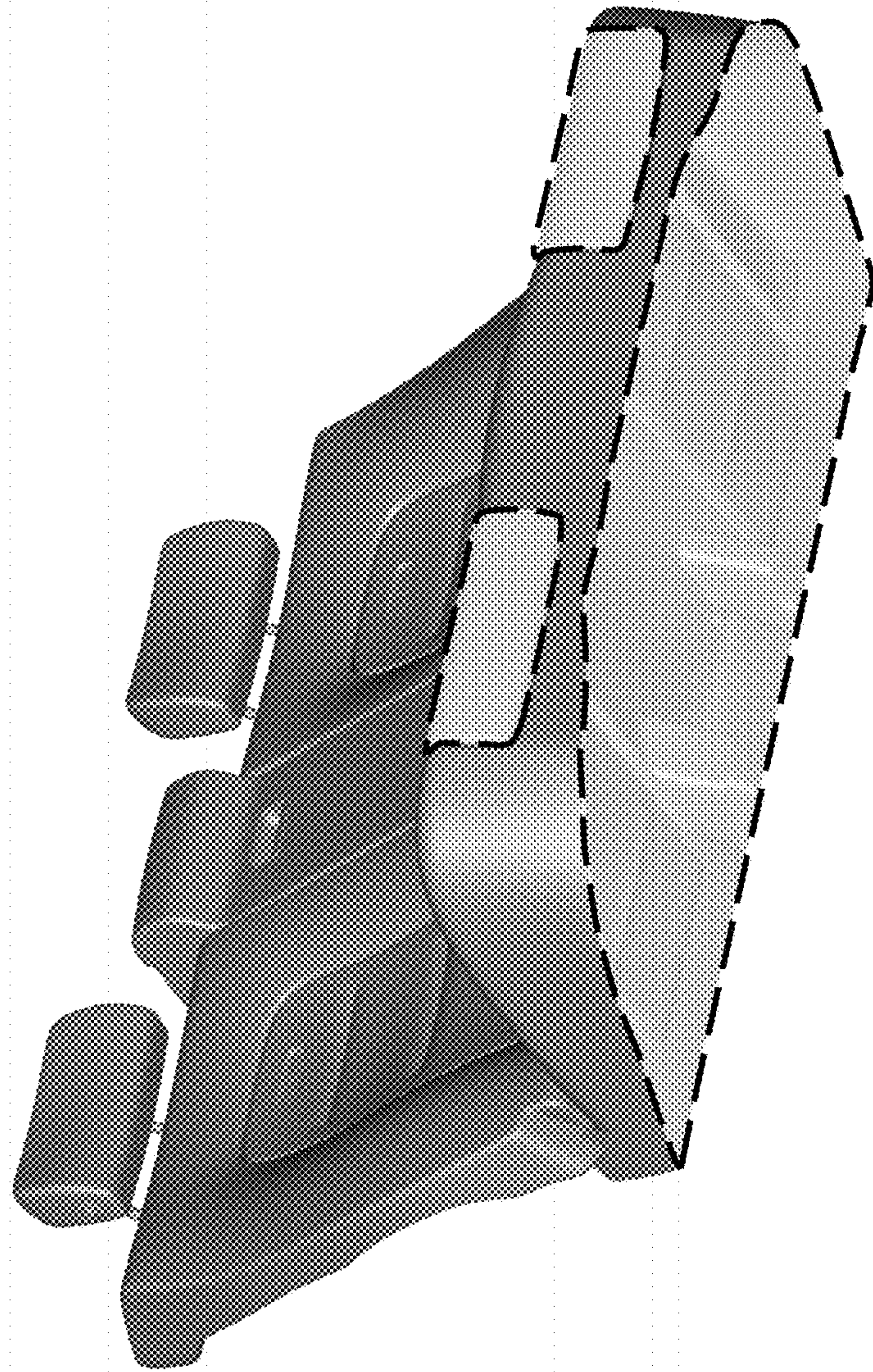


Figure 10



Figure 11

Figure 12

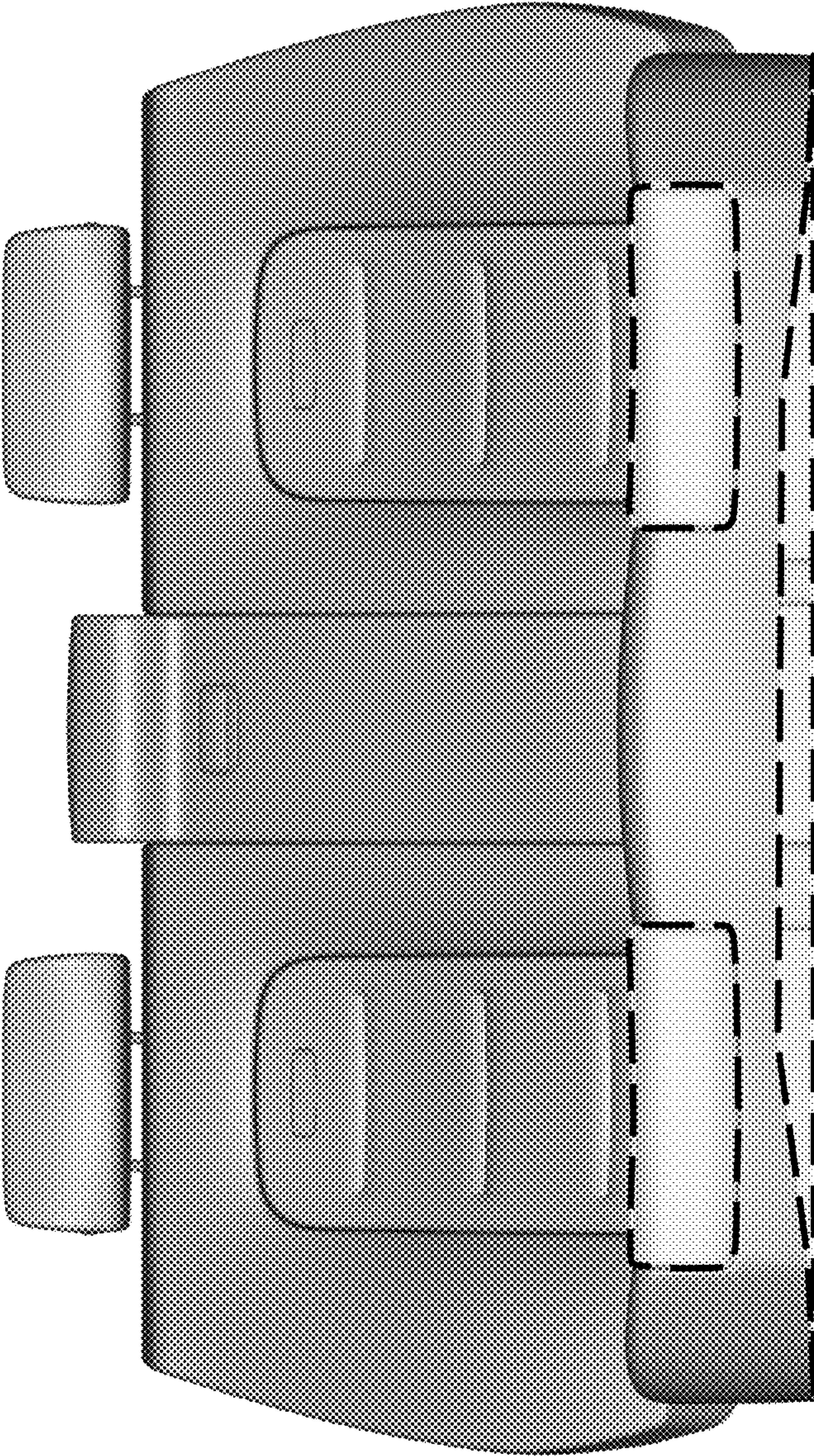
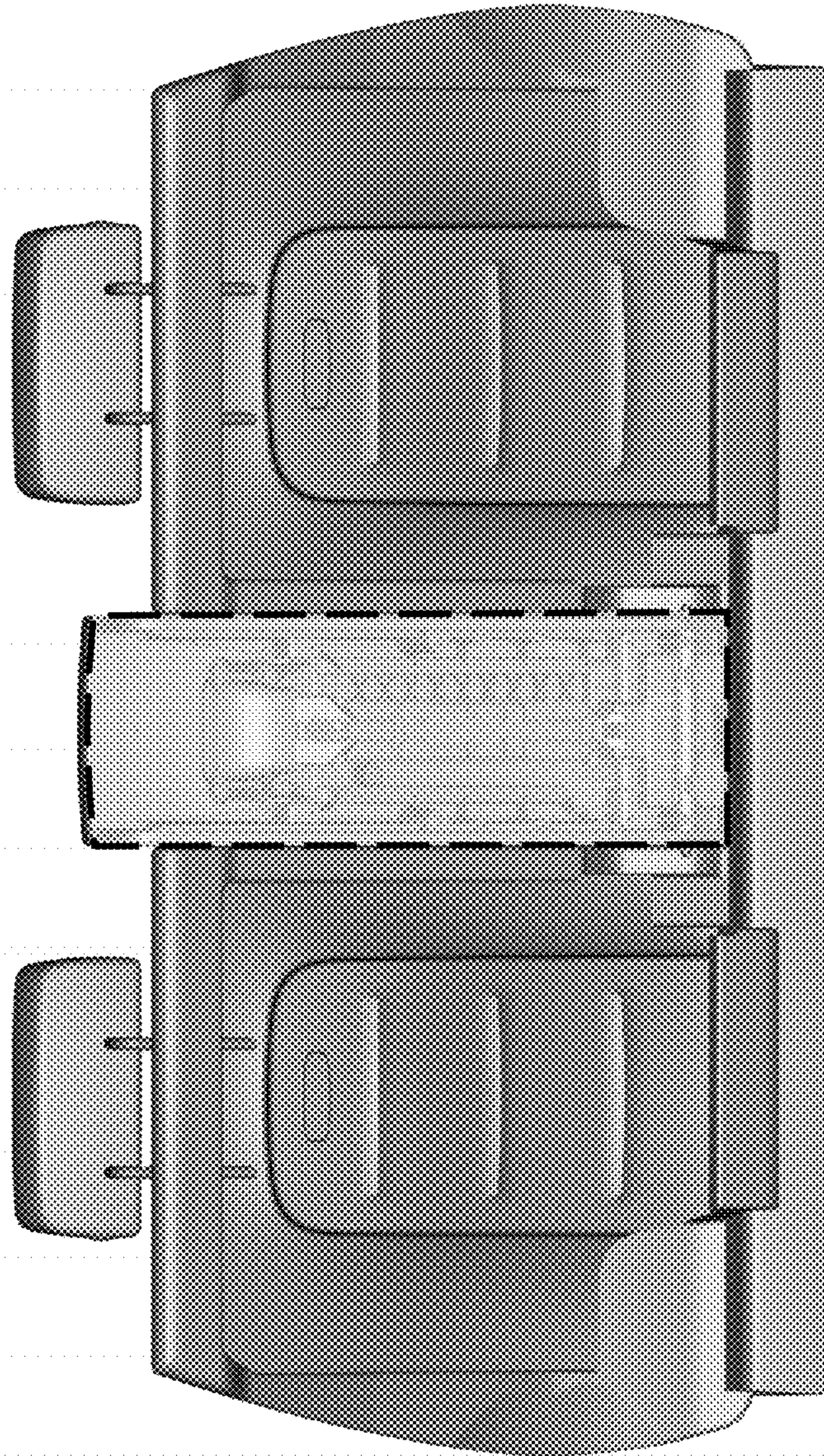


Figure 13



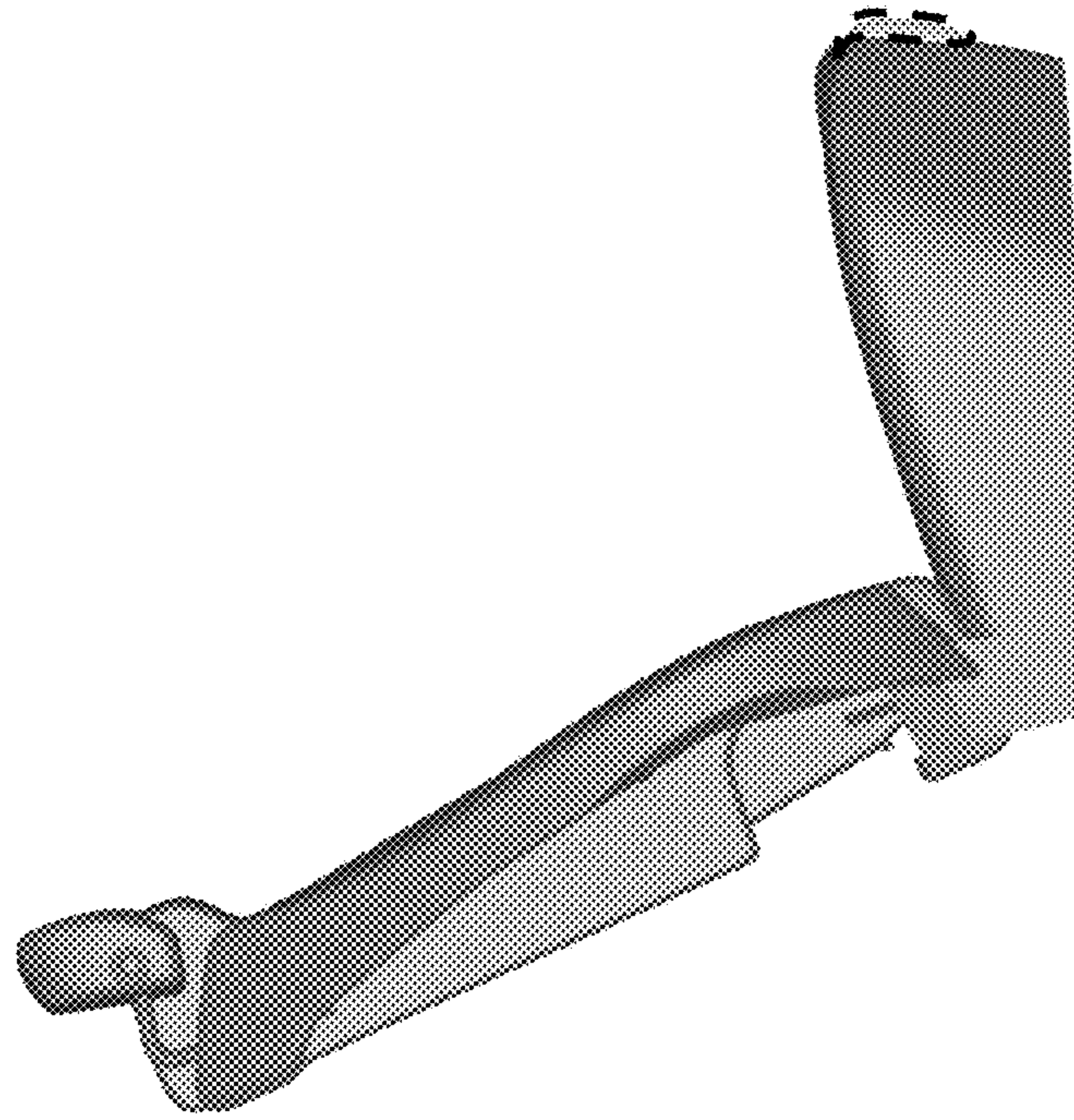


Figure 14

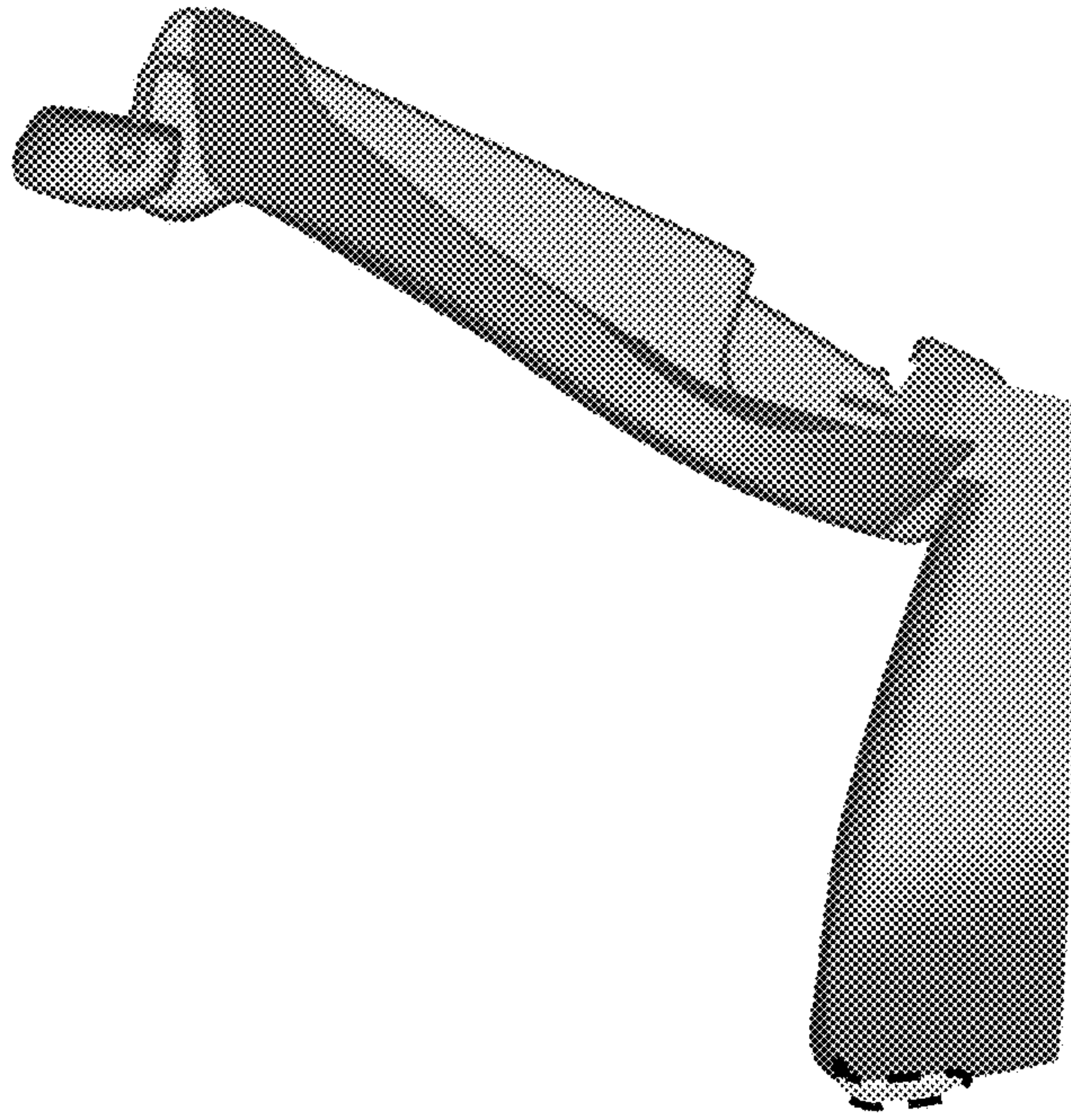


Figure 15

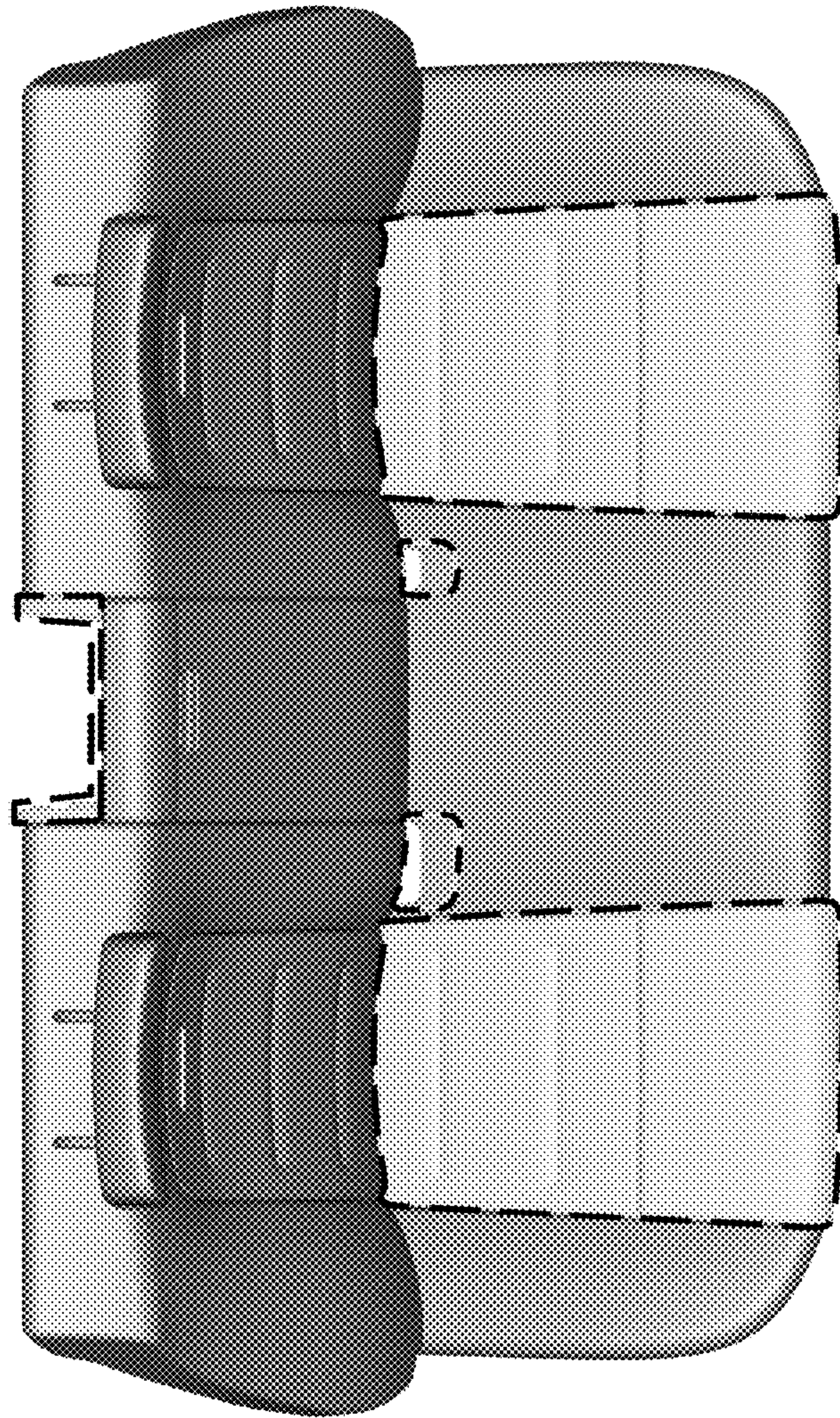


Figure 16