



US00D799223S

(12) **United States Design Patent**
Shen et al.

(10) **Patent No.:** **US D799,223 S**

(45) **Date of Patent:** **** Oct. 10, 2017**

- (54) **CAM FOR A ROCKER/RECLINER BASE**
- (71) Applicant: **ZHEJIANG FEILI TECHNOLOGY CO., LTD.**, Dingqiao, Haining (CN)
- (72) Inventors: **Geng Shen**, Haining (CN); **Weijie Gu**, Haining (CN)
- (73) Assignee: **ZHEJIANG FEILI TECHNOLOGY CO., LTD.**, Dingqiao, Haining (CN)

- 3,141,700 A 7/1964 Fletcher
- 3,162,483 A 12/1964 Fletcher
- 3,163,464 A 12/1964 Martin et al.
- 3,243,226 A 3/1966 Katz
- 3,279,847 A 10/1966 Re
- 3,302,969 A 2/1967 Mizelle et al.
- 3,339,971 A 9/1967 Fletcher
- 3,462,190 A 8/1969 Campbell
- 3,730,585 A 5/1973 Rogers, Jr. et al.
- 3,767,257 A 10/1973 Rogers, Jr. et al.
- 3,802,735 A 4/1974 Re

(Continued)

- (**) Term: **15 Years**
- (21) Appl. No.: **29/570,555**

Primary Examiner — Kevin K Rudzinski
Assistant Examiner — Paul D Bohannon
 (74) *Attorney, Agent, or Firm* — Marshall, Gerstein & Borun LLP

- (22) Filed: **Jul. 8, 2016**
- (51) **LOC (10) Cl.** **06-01**
- (52) **U.S. Cl.**
USPC **D6/348**
- (58) **Field of Classification Search**
USPC D6/333, 348, 709.22; D21/333, 414,
D21/360, 365, 361, 351, 349
CPC A47C 3/029; A47C 3/027; A47C 3/02;
A47C 1/02; A47C 13/00; A47C 4/38;
A47D 9/02; A47D 9/04; Y10S 297/07;
Y10T 29/49826; B63B 35/793
See application file for complete search history.

(57) **CLAIM**

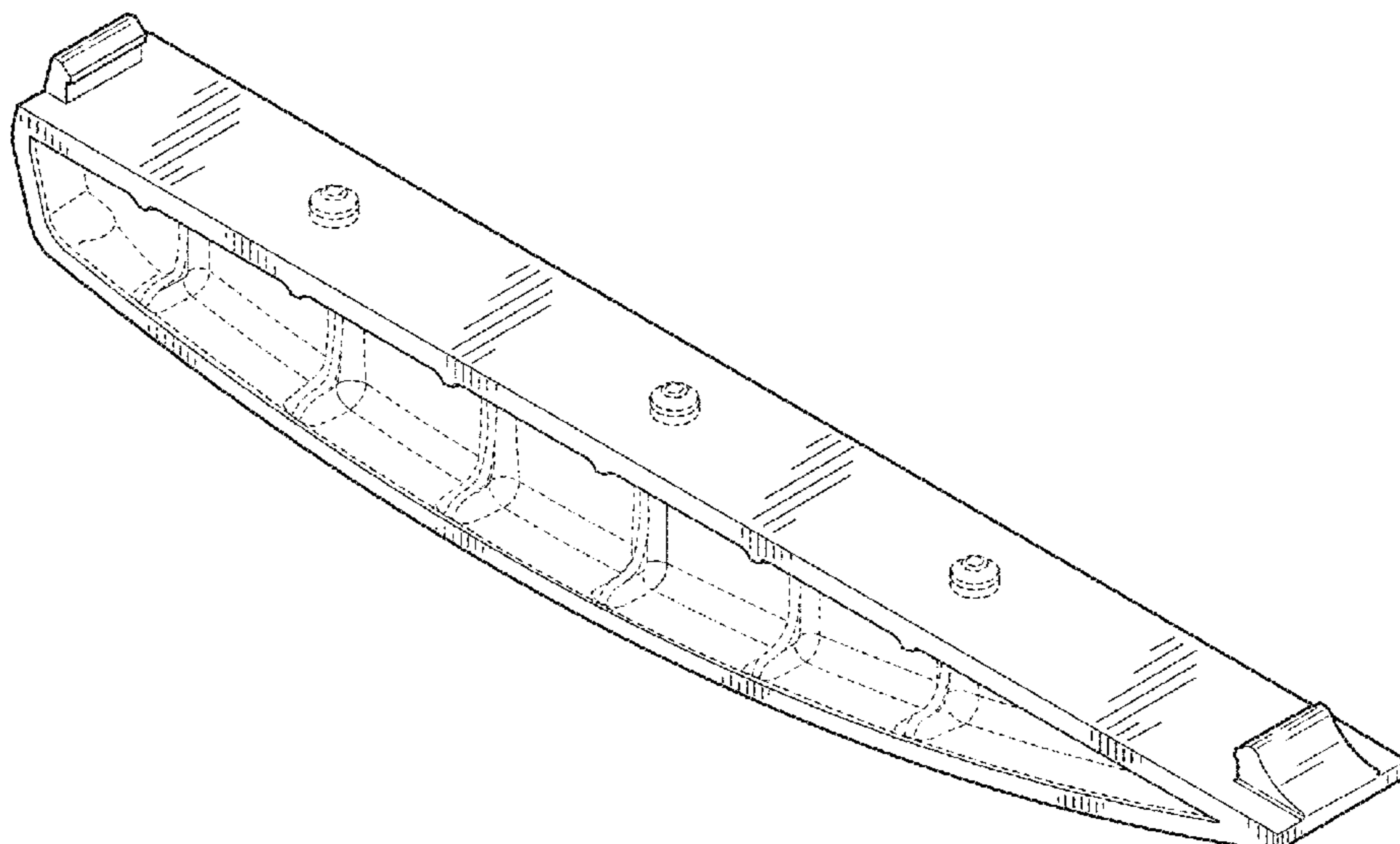
The ornamental design for a cam for a rocker/recliner base, as shown and described.

DESCRIPTION

FIG. 1 is front, right, and top perspective view of a cam for a rocker/recliner base of the present invention;
 FIG. 2 is a right plan view of the invention illustrated in FIG. 1;
 FIG. 3 is a left plan view of the invention illustrated in FIG. 1;
 FIG. 4 is a front plan view of the invention illustrated in FIG. 1;
 FIG. 5 is a rear plan view of the invention illustrated in FIG. 1;
 FIG. 6 is a top view of the invention illustrated in FIG. 1; and,
 FIG. 7 is a bottom view of the invention illustrated in FIG. 1.
 The broken lines in FIGS. 1-7 of the drawings illustrate portions of the cam for a rocker/recliner base that form no part of the claimed design.

- (56) **References Cited**
U.S. PATENT DOCUMENTS
- 232,147 A * 9/1880 Reynolds A47C 3/029
297/133
- 264,917 A * 9/1882 Andrews A47C 3/029
297/133
- 296,931 A 4/1884 Cupp
- 524,151 A * 8/1894 Walker A47D 9/04
297/272.1
- 665,005 A 1/1901 Harmon
- D142,512 S * 10/1945 Cronk 297/133
- 2,772,723 A 12/1956 Tunnell
- 2,963,077 A 12/1960 Knabusch et al.
- 3,093,409 A 6/1963 Fletcher

1 Claim, 3 Drawing Sheets



(56)

References Cited

U.S. PATENT DOCUMENTS

3,904,240 A 9/1975 Rogers, Jr. et al.
 3,938,857 A 2/1976 Craig
 3,966,251 A 6/1976 Belisle
 4,071,276 A 1/1978 Cecil
 4,079,991 A * 3/1978 Harris A47C 3/029
 297/133
 D253,204 S * 10/1979 Rymes D6/333
 4,212,494 A 7/1980 Dabney
 4,438,973 A 3/1984 LaPointe
 4,519,647 A 5/1985 Rogers, Jr.
 4,891,852 A * 1/1990 Lopez, Jr. A47D 9/02
 5/105
 RE33,704 E 10/1991 Rogers, Jr.
 5,246,268 A * 9/1993 Lerner A47C 3/02
 297/133
 5,486,034 A * 1/1996 Dalke A47C 13/00
 297/133

D380,633 S * 7/1997 Shaw D6/348
 5,927,816 A * 7/1999 Hsu A47C 4/021
 297/270.5
 6,257,660 B1 * 7/2001 Calvey A47C 4/38
 297/16.1
 6,309,015 B1 10/2001 Pine
 6,634,706 B2 10/2003 May
 6,733,071 B2 5/2004 Guillot et al.
 6,918,632 B2 7/2005 Maki et al.
 7,252,334 B2 * 8/2007 Hale A47C 3/027
 297/258.1
 7,252,339 B2 * 8/2007 Owens A47C 4/02
 297/440.1
 7,628,452 B2 * 12/2009 Du A47C 3/027
 297/259.2
 7,896,437 B2 3/2011 Donovan
 9,265,347 B2 * 2/2016 Griggs, Jr. A47C 1/02
 2006/0232113 A1 10/2006 Hale et al.
 2015/0239532 A1 * 8/2015 Wood B63B 35/793
 441/79

* cited by examiner

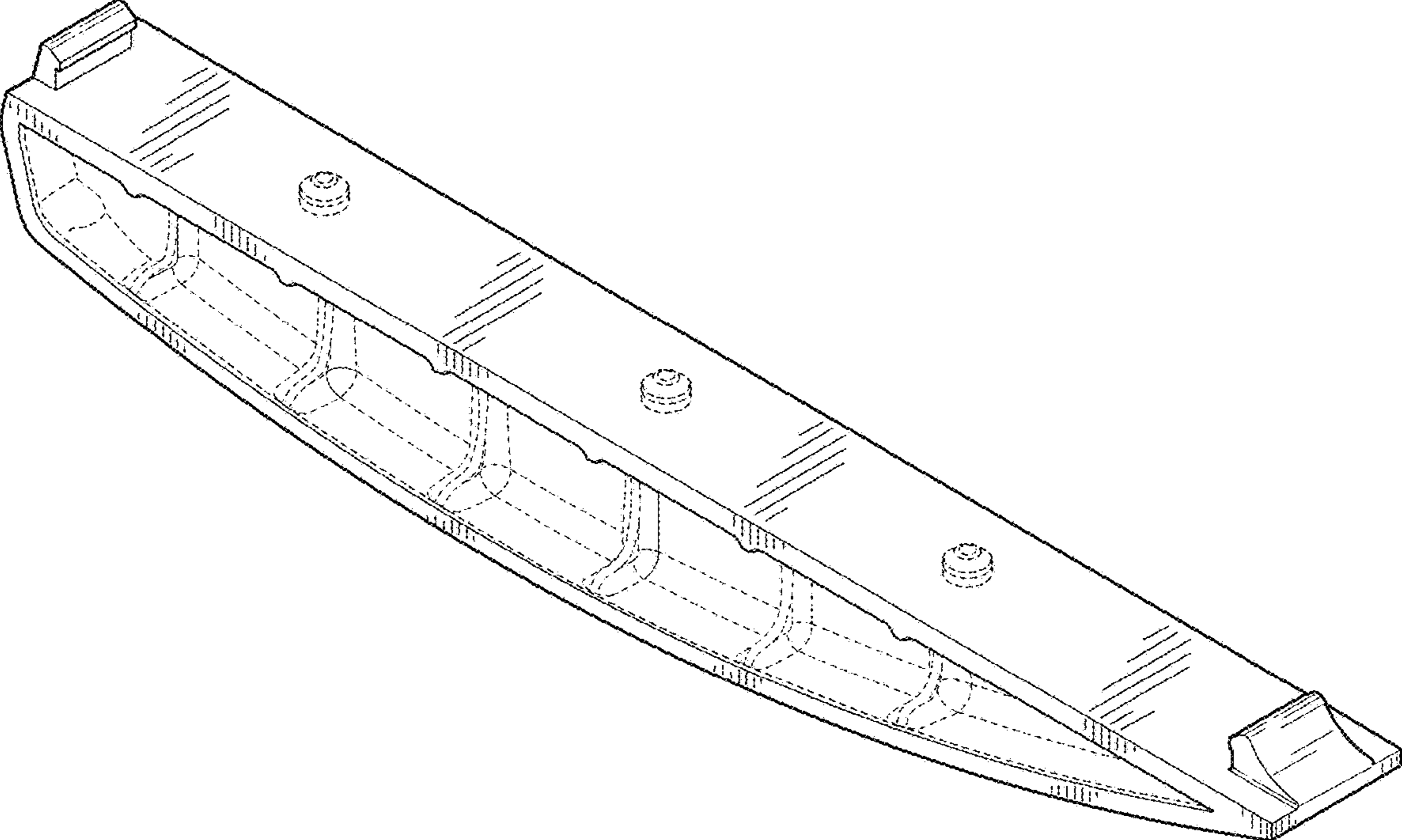


FIG. 1

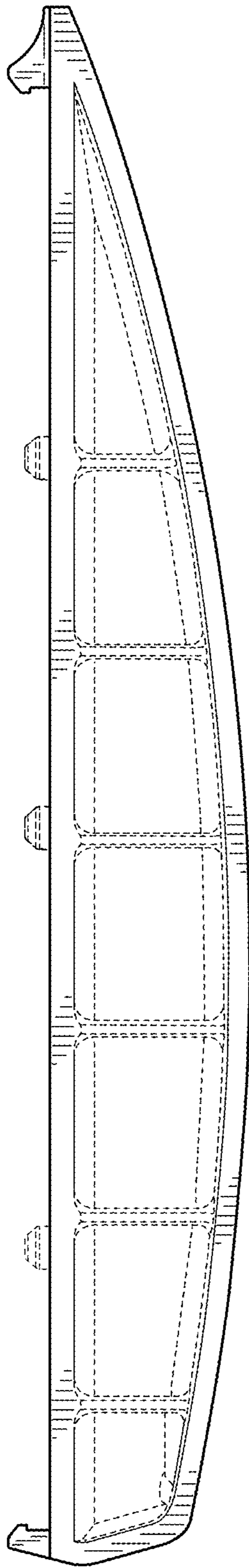


FIG. 2

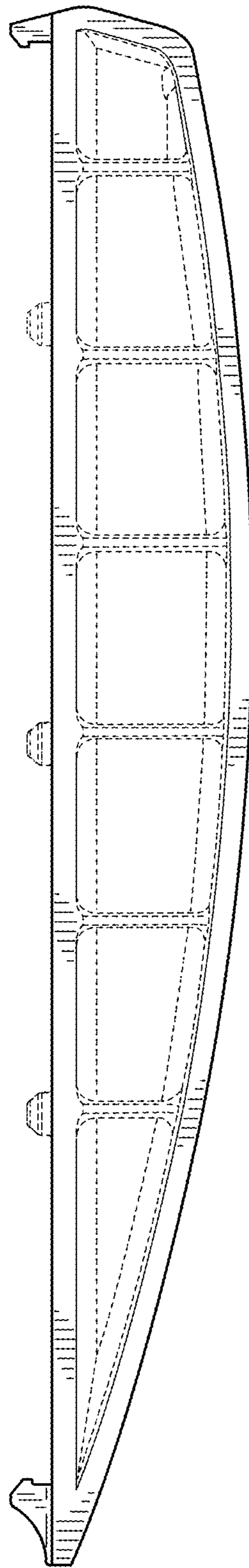


FIG. 3

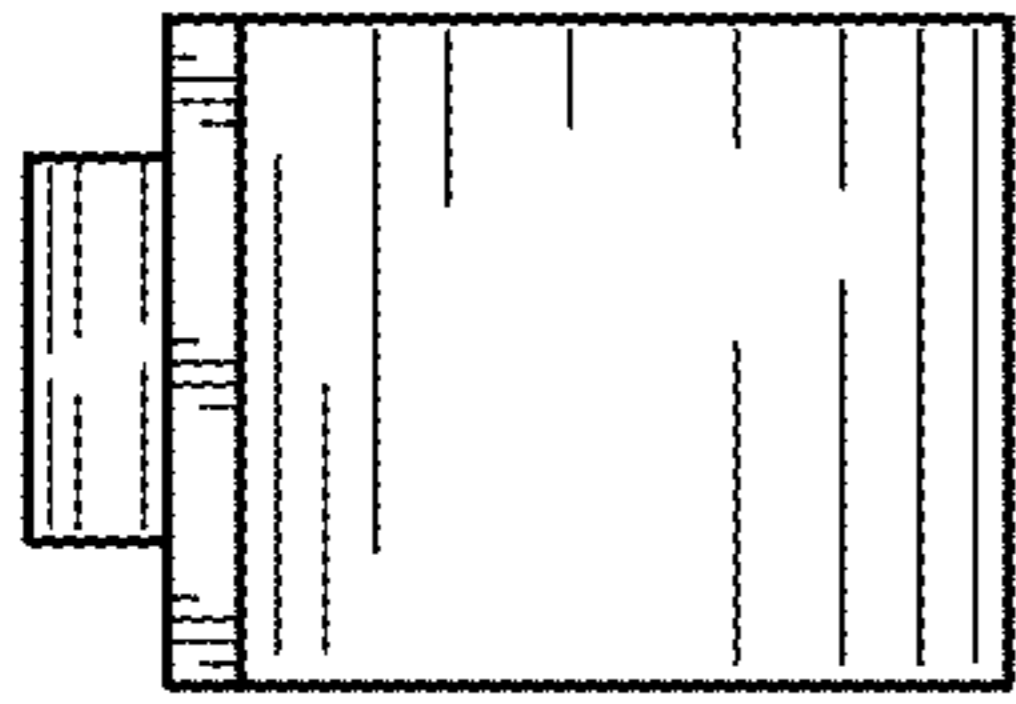


FIG. 4

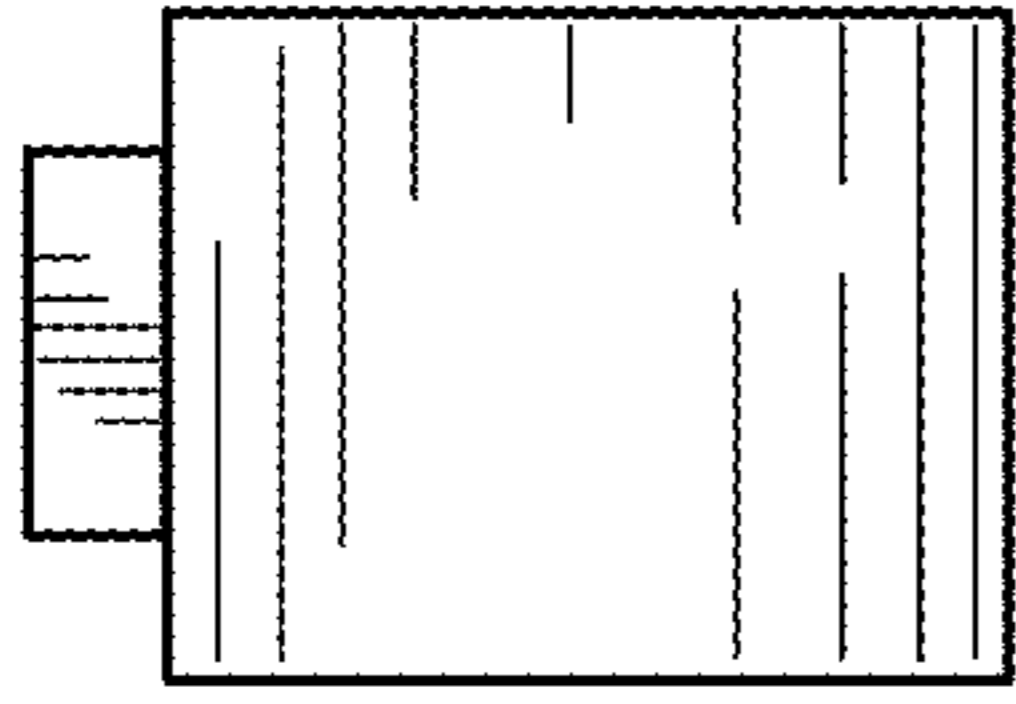


FIG. 5

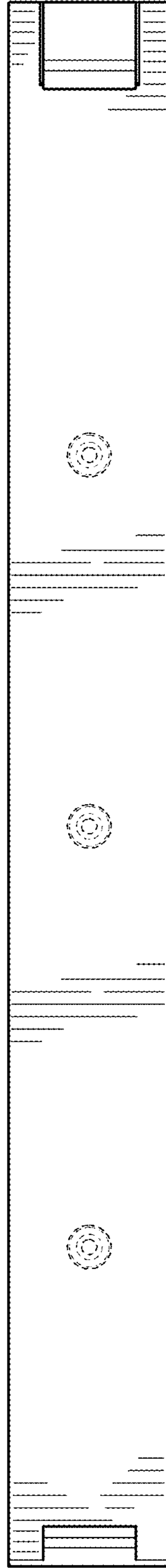


FIG. 6

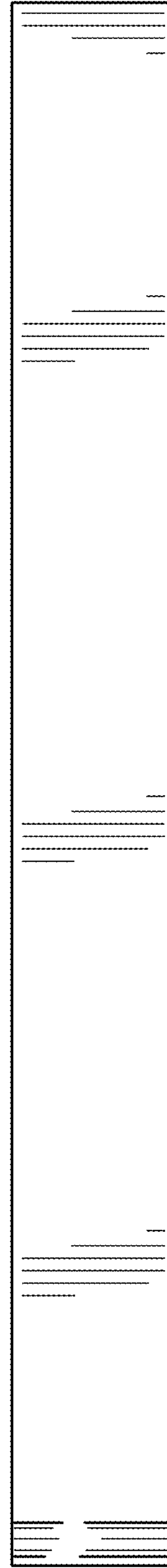


FIG. 7