



US00D799222S

(12) **United States Design Patent**
Pathiratne

(10) **Patent No.:** **US D799,222 S**

(45) **Date of Patent:** **** Oct. 10, 2017**

(54) **SPLIT-BACK CONVERTIBLE SOFA BED**

(71) Applicant: **Lifestyle Solutions, Inc.**, Fremont, CA (US)

(72) Inventor: **Sean Pathiratne**, San Jose, CA (US)

(73) Assignee: **Lifestyle Solutions, Inc.**, Fremont, CA (US)

(**) Term: **15 Years**

(21) Appl. No.: **29/572,552**

(22) Filed: **Jul. 28, 2016**

(51) **LOC (10) Cl.** **06-01**

(52) **U.S. Cl.**
USPC **D6/335**; D6/367; D6/381

(58) **Field of Classification Search**
USPC D6/334, 335, 336, 338, 342, 360, 367, D6/368, 369, 371-375, 377, 378, 381
CPC A47D 11/005; A47C 4/02; A47C 17/04; A47C 17/045; A47C 17/12; A47C 17/13; A47C 17/16; A47C 17/22; A47C 17/32
See application file for complete search history.

(56) **References Cited**

U.S. PATENT DOCUMENTS

D444,305 S	*	7/2001	Mourgue	D6/335
D498,075 S	*	11/2004	Mourgue	D6/335
D603,618 S	*	11/2009	Weiss	D6/381
D603,619 S	*	11/2009	Weiss	D6/381
D604,957 S	*	12/2009	Weiss	D6/381
D610,366 S	*	2/2010	Kanhasamy	D6/381
D615,315 S	*	5/2010	Andersen	D6/367
D616,214 S	*	5/2010	Andersen	D6/367
D635,793 S	*	4/2011	Kanhasamy	D6/381
D635,794 S	*	4/2011	Kanhasamy	D6/381

D639,084 S	*	6/2011	Andersen	D6/381
D642,820 S	*	8/2011	Andersen	D6/381
D652,225 S	*	1/2012	Andersen	D6/373
D652,226 S	*	1/2012	Andersen	D6/373
RE43,754 E	*	10/2012	Andersen	D6/381
D675,460 S	*	2/2013	Kanhasamy	D6/381
D676,680 S	*	2/2013	Arko	D6/334
D677,070 S	*	3/2013	Kanhasamy	D6/381
D677,071 S	*	3/2013	Kanhasamy	D6/381
D686,003 S	*	7/2013	Arko	D6/334
D718,552 S	*	12/2014	Kanhasamy	D6/381
D719,755 S	*	12/2014	Kanhasamy	D6/381
D719,756 S	*	12/2014	Sonmez	D6/381
D721,242 S	*	1/2015	Sonmez	D6/381
D730,656 S	*	6/2015	Urquiola	D6/381
D775,848 S	*	1/2017	Bettin	D6/381

* cited by examiner

Primary Examiner — Deanna L Pratt

(74) *Attorney, Agent, or Firm* — Jackson Walker L.L.P.

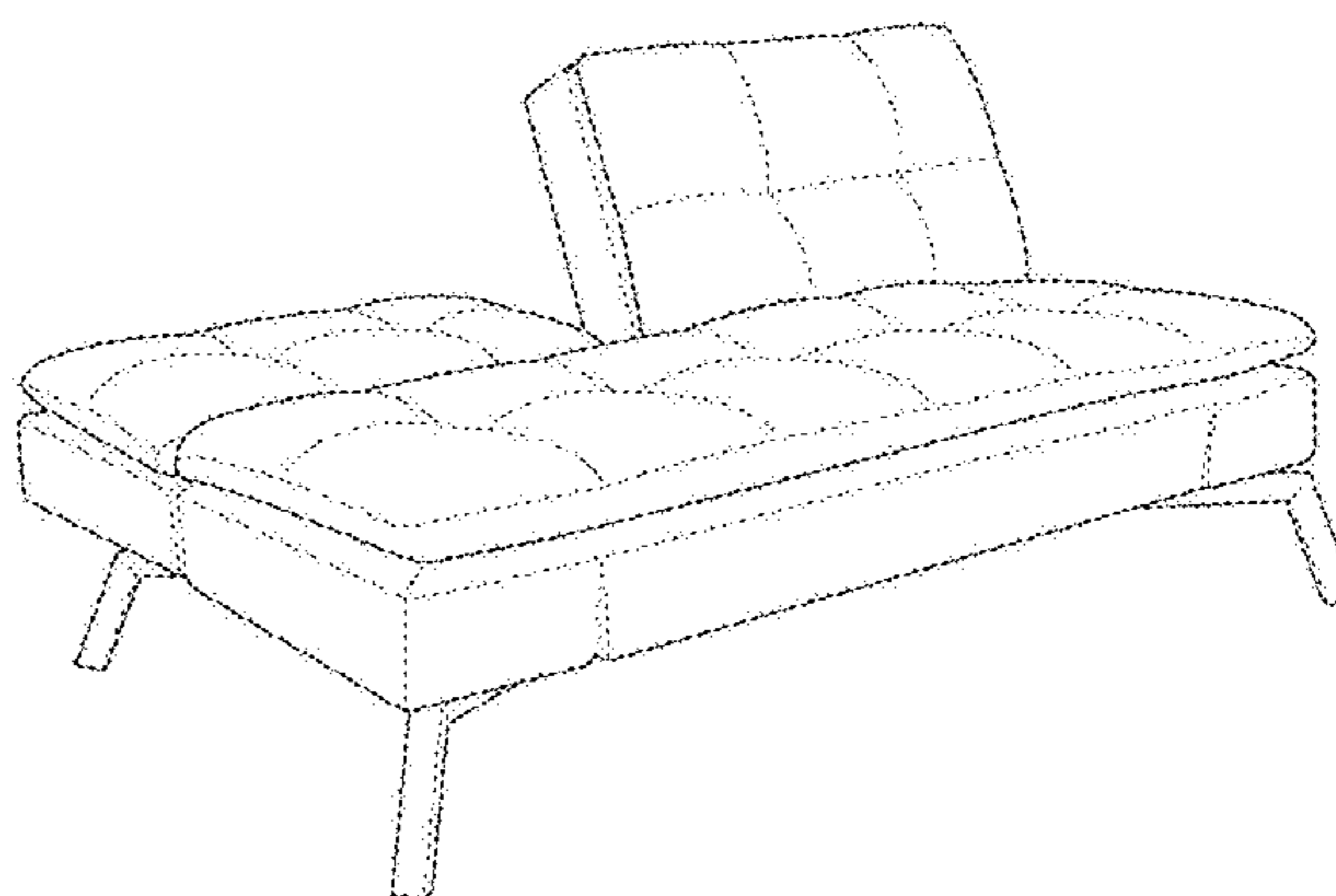
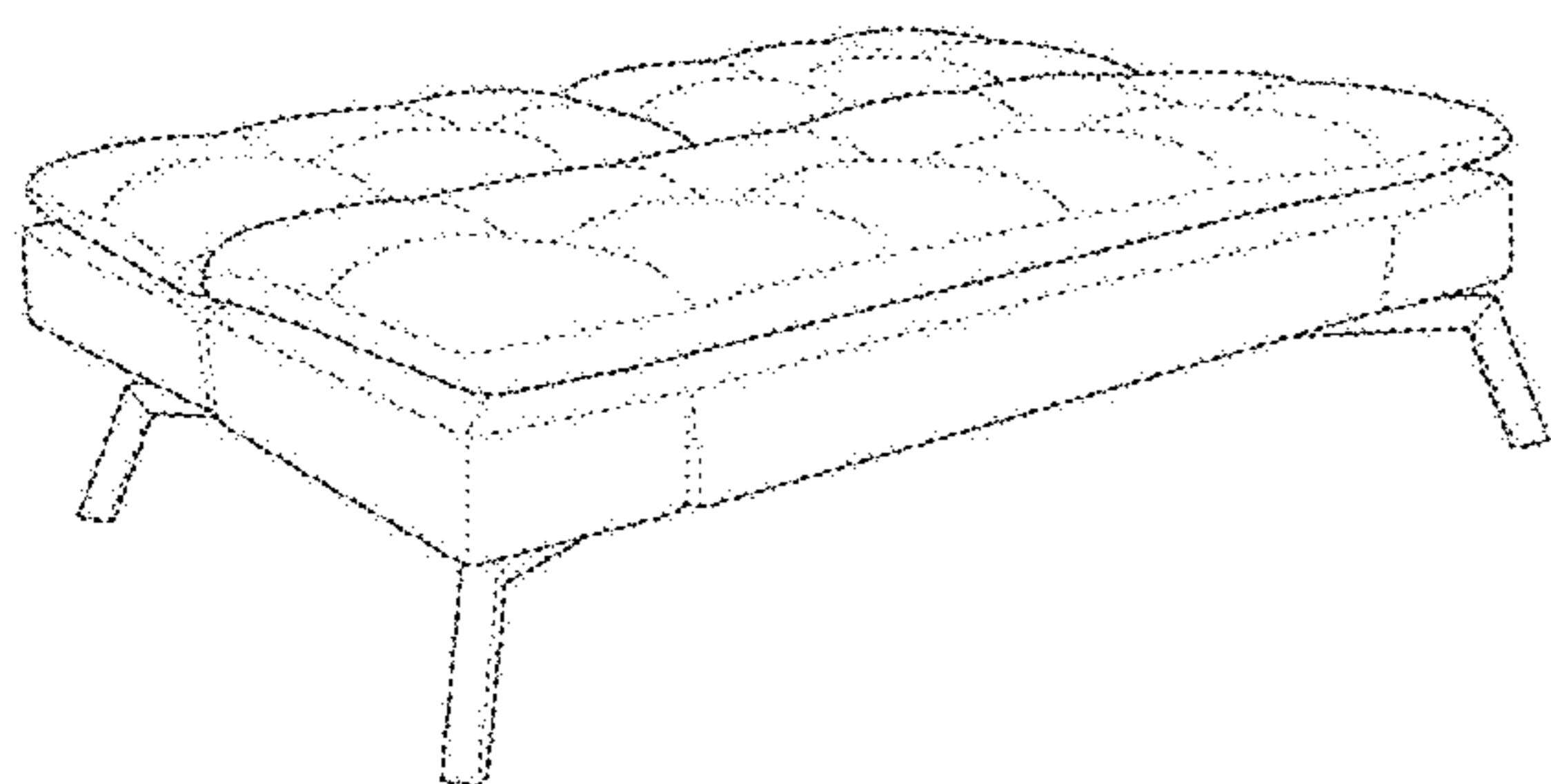
(57) **CLAIM**

The ornamental design for a split-back convertible sofa bed, as shown and described.

DESCRIPTION

FIG. 1 is a front view of the split-back convertible sofa bed; FIG. 2 is a side view of the split-back convertible sofa bed; FIG. 3 is a perspective view of the split-back convertible sofa bed in a bed position; FIG. 4 is a perspective view of the split-back convertible sofa bed with one the two split back portions in a bed position and the other one of the two split back portions in a sofa position; and, FIG. 5 is a perspective view of the split-back convertible sofa bed in a sofa position with the sofa bed arms in a raised position.

1 Claim, 5 Drawing Sheets



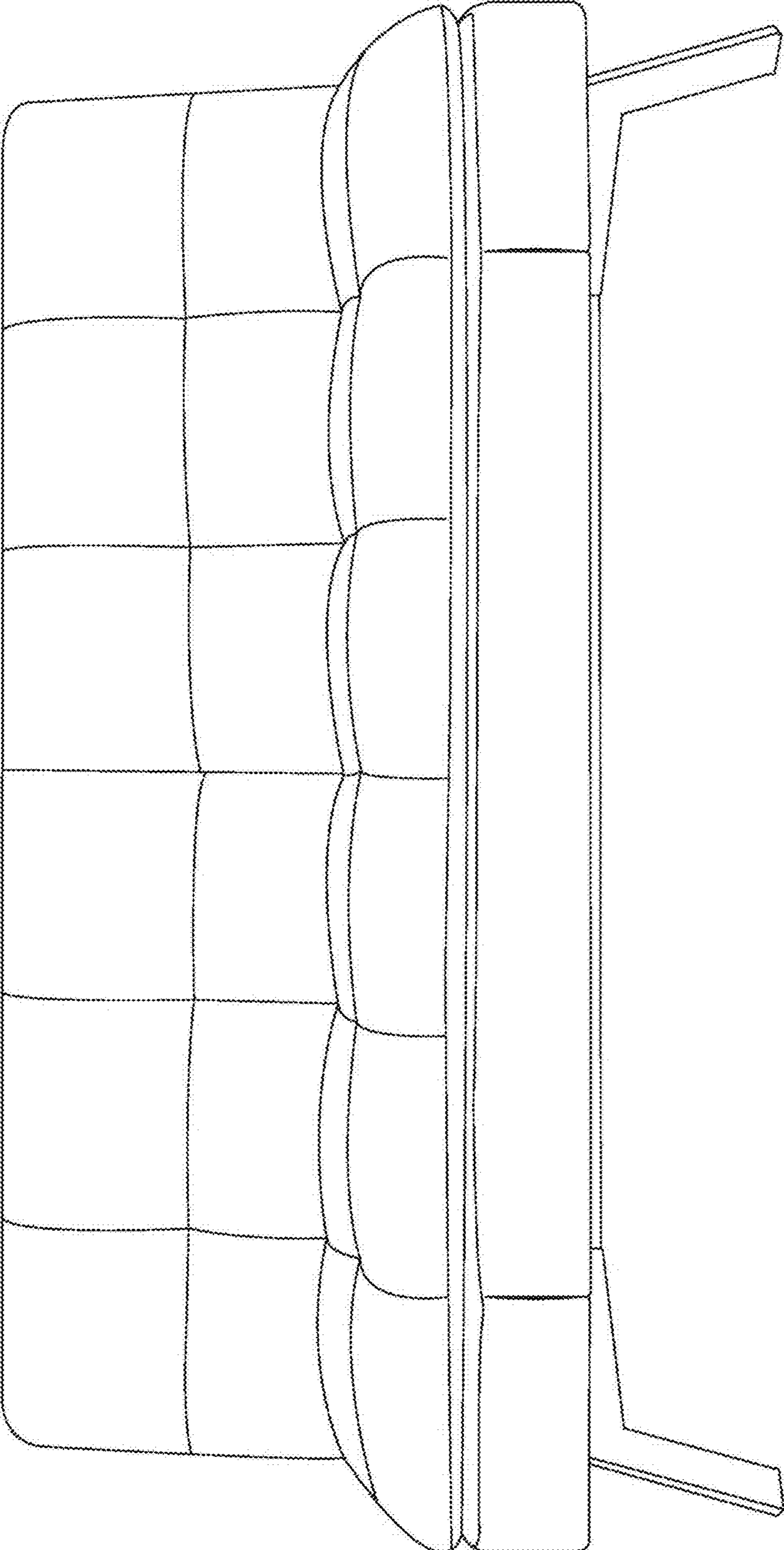


FIG. 1

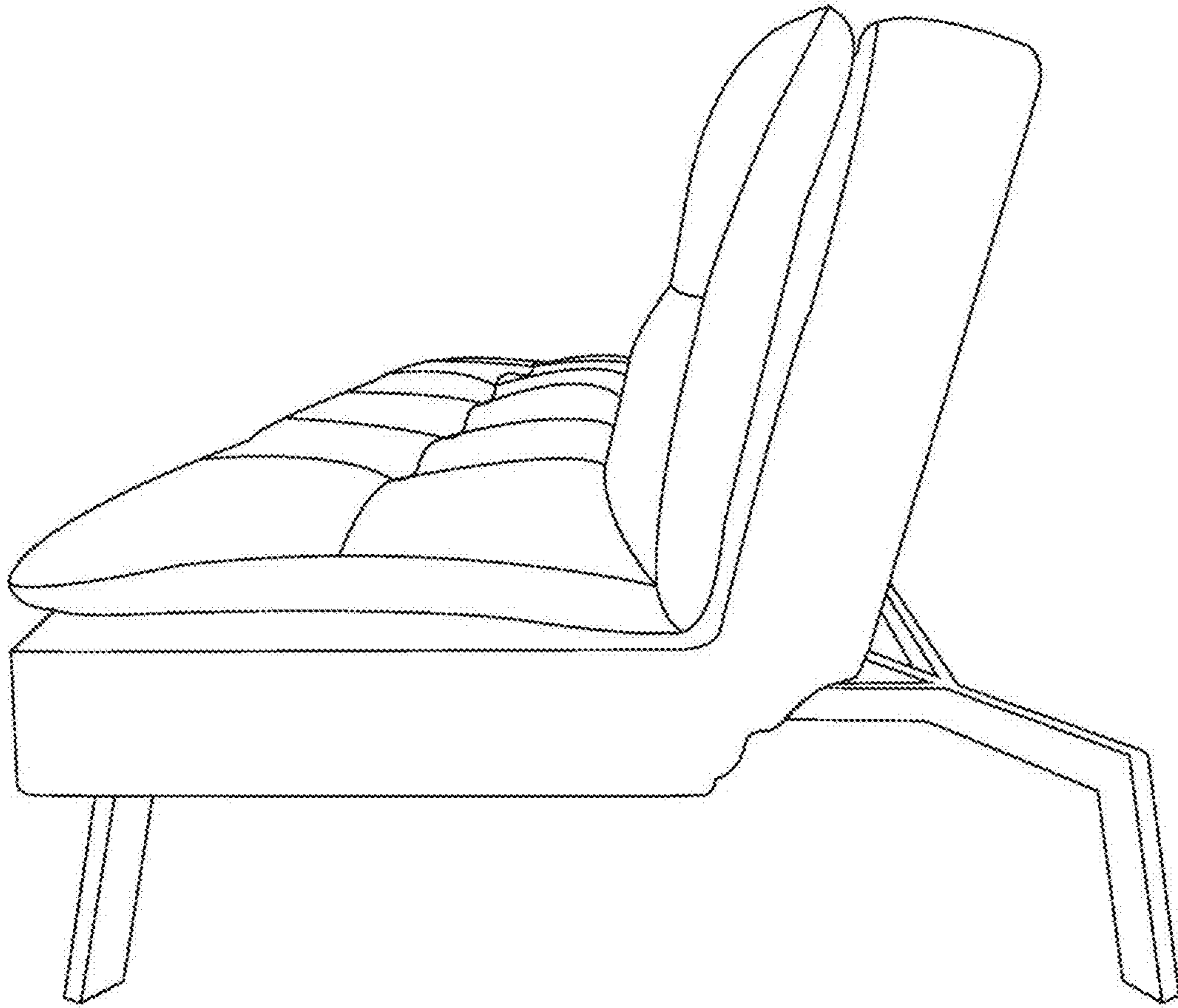


FIG. 2

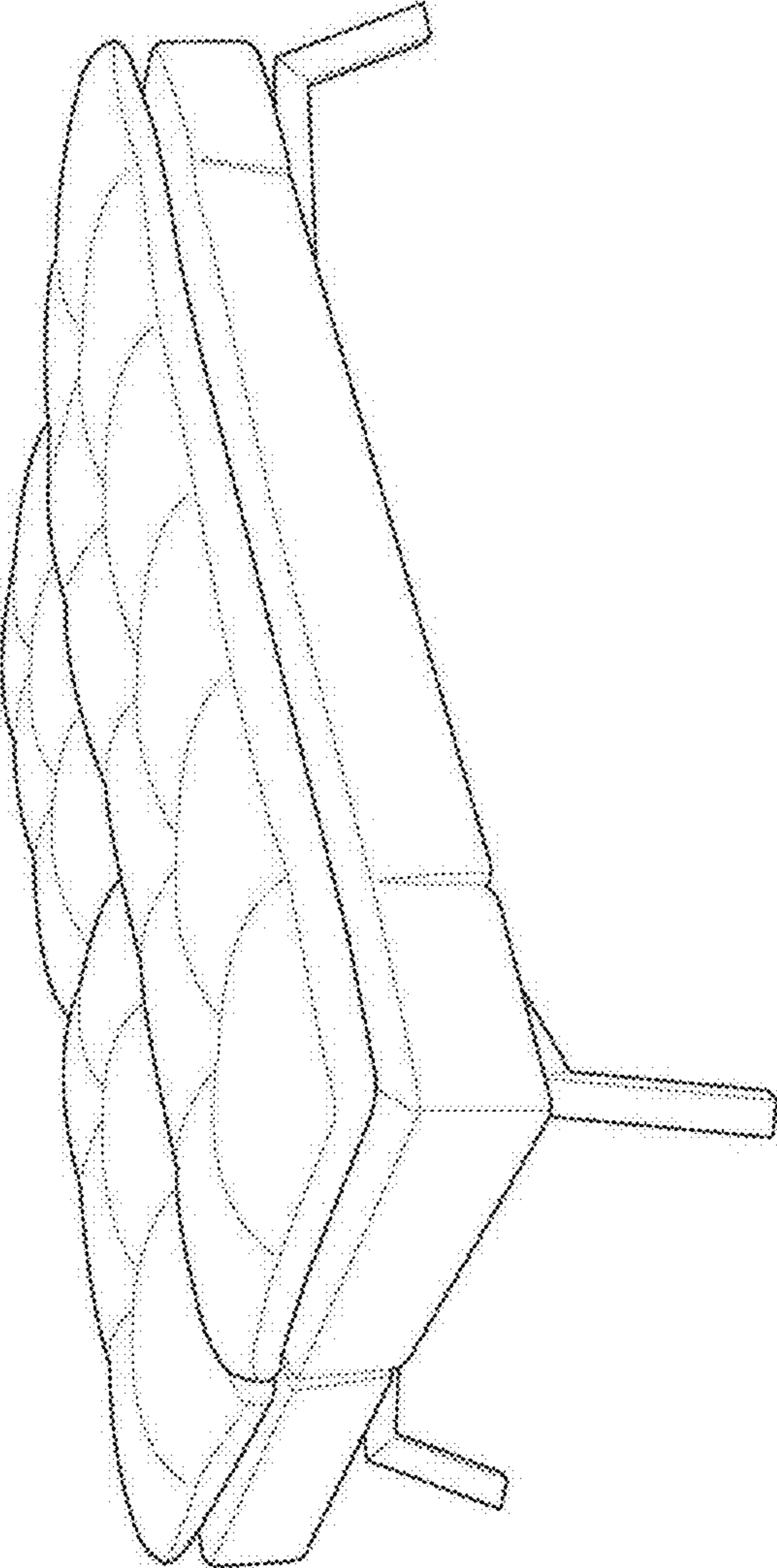


FIG. 3

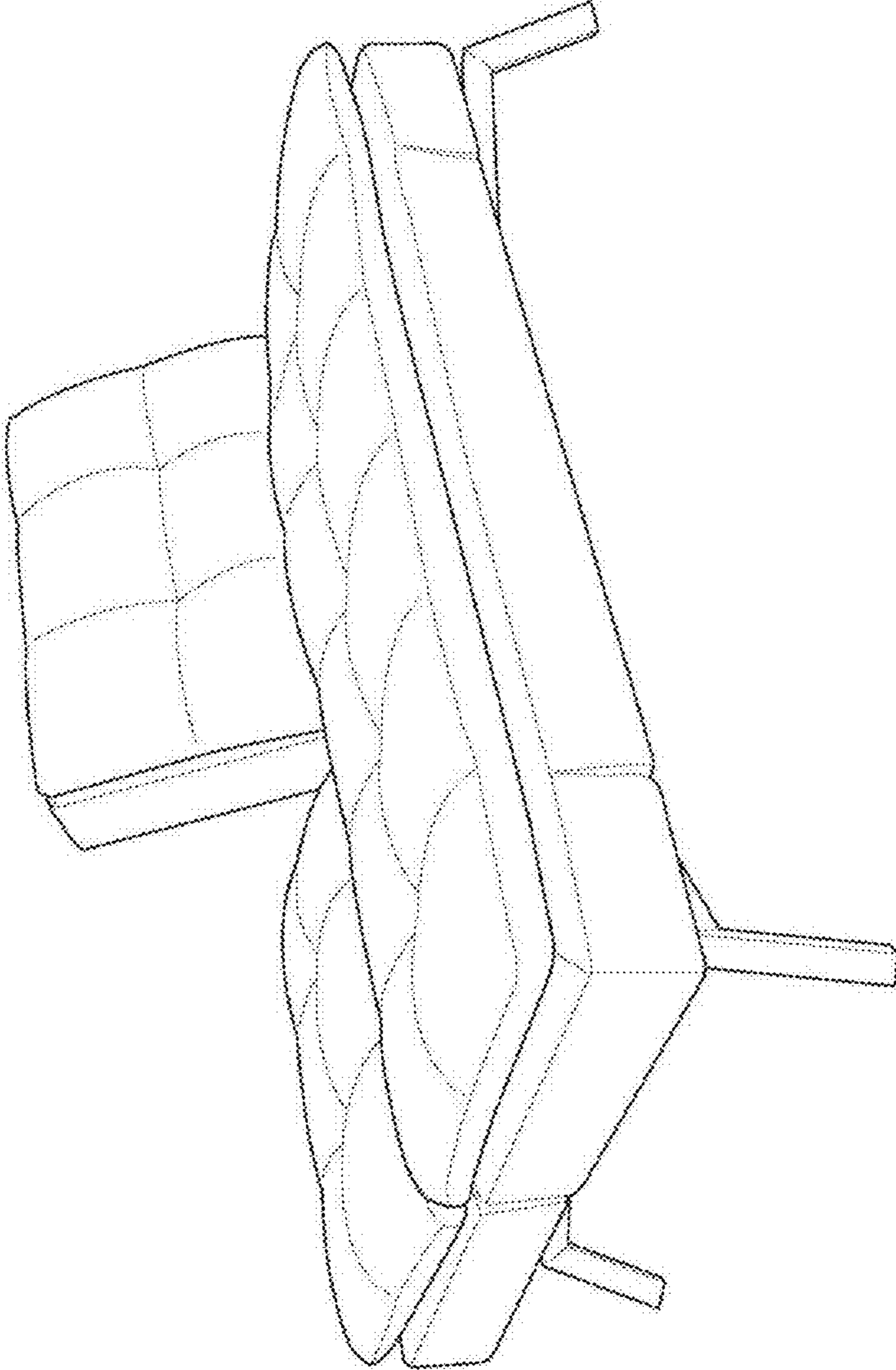


FIG. 4

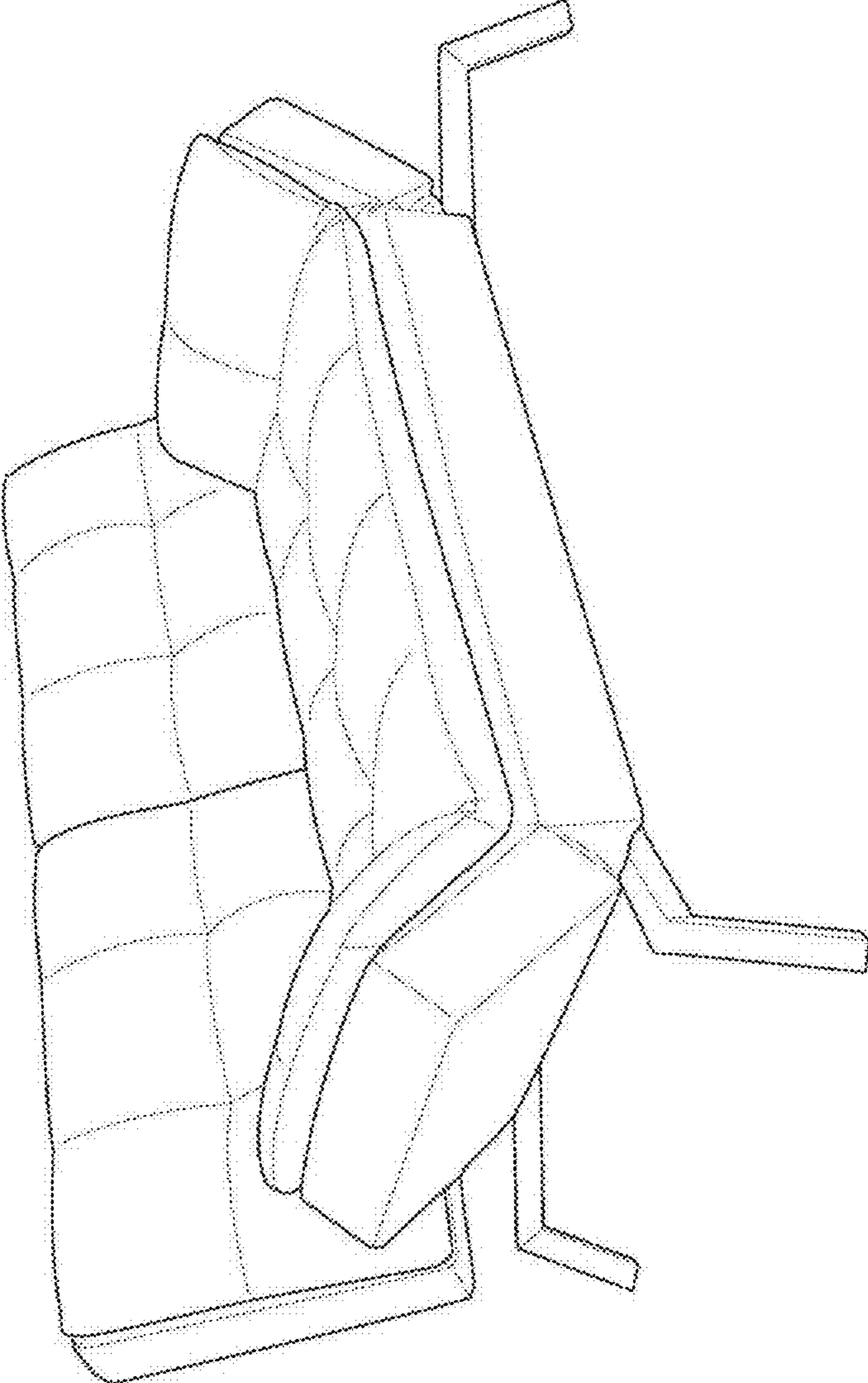


FIG. 5