



US00D799218S

(12) **United States Design Patent** (10) **Patent No.:** **US D799,218 S**  
**Okai** (45) **Date of Patent:** **\*\* Oct. 10, 2017**

(54) **ORAL CARE IMPLEMENT**  
(71) Applicants: **COLGATE-PALMOLIVE COMPANY**, New York, NY (US);  
**OMRON HEALTHCARE CO., LTD.**,  
Kyoto (JP)  
(72) Inventor: **Takahide Okai**, Highland Park, NJ  
(US)

D582,162 S \* 12/2008 Moskovich ..... D4/108  
D589,256 S \* 3/2009 Taylor ..... D4/101  
D598,198 S \* 8/2009 Crossman ..... D4/101  
D611,712 S \* 3/2010 Stoerkel ..... D4/104  
D632,894 S 2/2011 Shigeno et al.  
D644,439 S 9/2011 Shigeno et al.  
D652,626 S \* 1/2012 Gebski ..... D4/101  
D653,035 S \* 1/2012 Gebski ..... D4/101

(Continued)

(73) Assignee: **COLGATE-PALMOLIVE COMPANY**, New York, NY (US)

FOREIGN PATENT DOCUMENTS

JP 2009125080 6/2009  
WO WO2015164486 10/2015

(\*\*) Term: **15 Years**

OTHER PUBLICATIONS

(21) Appl. No.: **29/547,151**  
(22) Filed: **Dec. 1, 2015**  
(51) **LOC (10) Cl.** ..... **04-02**  
(52) **U.S. Cl.**  
USPC ..... **D4/104**  
(58) **Field of Classification Search**  
USPC ..... D4/100, 104, 116, 119, 121, 127, 129,  
D4/130, 136, 137, 138, 102, 105-112;  
D5/4, 43, 47, 50, 53; D28/21, 33, 58, 59;  
D30/158, 159  
CPC ..... A46B 15/0081; A46B 2200/1026; A46B  
3/22; A46B 9/005; A46B 9/026; A46B  
9/06; A46B 15/0055; A46B 15/0075;  
A46B 5/0095; A46B 5/00  
See application file for complete search history.

Colgate® 360°® Total® Advanced Floss-Tip† Bristles Toothbrush,  
<http://www.colgatetotal.com/tootbrushes/360-floss-tip>, date  
unknown but downloaded from the Internet prior to the date of the  
subject application, 3 pp.

*Primary Examiner* — Thomas Johannes  
*Assistant Examiner* — Katrina Gonzalez

(57) **CLAIM**

The ornamental design for an oral care implement, as shown  
and described.

**DESCRIPTION**

FIG. 1 is a front right top perspective view of an oral care  
implement according to the new design;  
FIG. 2 is a rear left bottom perspective view thereof;  
FIG. 3 is a front view thereof;  
FIG. 4 is a rear view thereof;  
FIG. 5 is a right side view thereof,  
FIG. 6 is a left side view thereof;  
FIG. 7 is a top view thereof; and,  
FIG. 8 is a bottom view thereof.

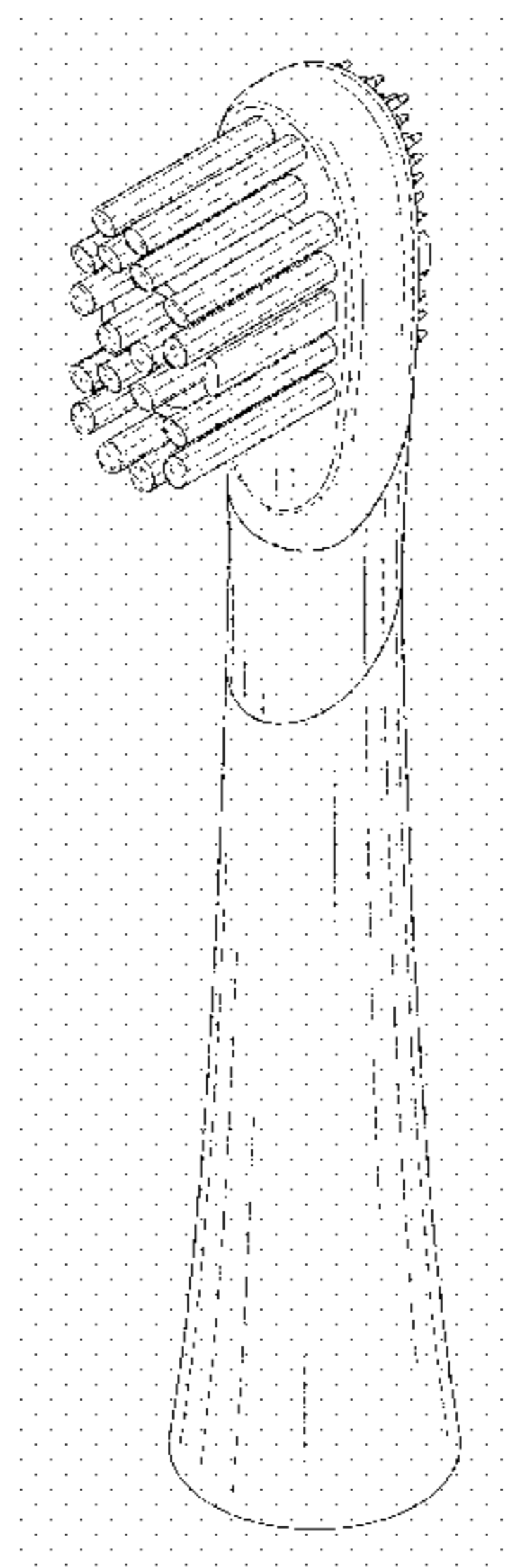
All broken lines shown in the drawings are for environmen-  
tal purposes only and form no part of the claimed design.

(56) **References Cited**

U.S. PATENT DOCUMENTS

D278,481 S \* 4/1985 Ditgen ..... D4/104  
D282,317 S \* 1/1986 Herzfeld ..... D4/101  
D297,784 S \* 9/1988 Moret ..... 15/176.6  
D361,209 S \* 8/1995 Curtis ..... D4/104  
D397,251 S \* 8/1998 Eguchi ..... D4/101  
6,766,548 B1 7/2004 Lukas et al.  
6,920,659 B2 7/2005 Cacka et al.  
D563,106 S \* 3/2008 Chan ..... D4/101

**1 Claim, 4 Drawing Sheets**



(56)

## References Cited

## U.S. PATENT DOCUMENTS

D657,565	S *	4/2012	Gebski .....	D4/101
D669,687	S *	10/2012	Heil .....	D4/101
D673,775	S *	1/2013	Jimenez .....	D4/101
D676,660	S *	2/2013	Crossman .....	D4/101
D676,661	S *	2/2013	Jimenez .....	D4/101
8,453,285	B2	6/2013	Dickie	
D688,045	S *	8/2013	Key .....	D4/101
D690,941	S *	10/2013	Fritsch .....	D4/101
D696,029	S	12/2013	Seyler	
D700,436	S *	3/2014	Fritsch .....	D4/101
D702,946	S	4/2014	Shigeno et al.	
D703,443	S *	4/2014	Gatzemeyer .....	D4/101
8,800,091	B2	8/2014	Hohlbein	
D724,845	S	3/2015	Yoshida et al.	
D734,613	S	7/2015	Yoshida et al.	
D743,700	S *	11/2015	Fritsch .....	D4/101
D756,121	S *	5/2016	Gruber .....	D4/104
D759,383	S *	6/2016	Watkins .....	D4/101
2005/0000049	A1 *	1/2005	Hohlbein .....	A46B 9/026 15/111
2005/0015901	A1 *	1/2005	Gavney .....	A46B 9/005 15/28
2005/0210612	A1 *	9/2005	Hohlbein .....	A46B 9/04 15/110
2012/0266397	A1	10/2012	Iwahori	
2013/0198980	A1	8/2013	Iwahori et al.	
2014/0123414	A1	5/2014	Okazaki	
2014/0366289	A1	12/2014	Shimoyama et al.	

\* cited by examiner

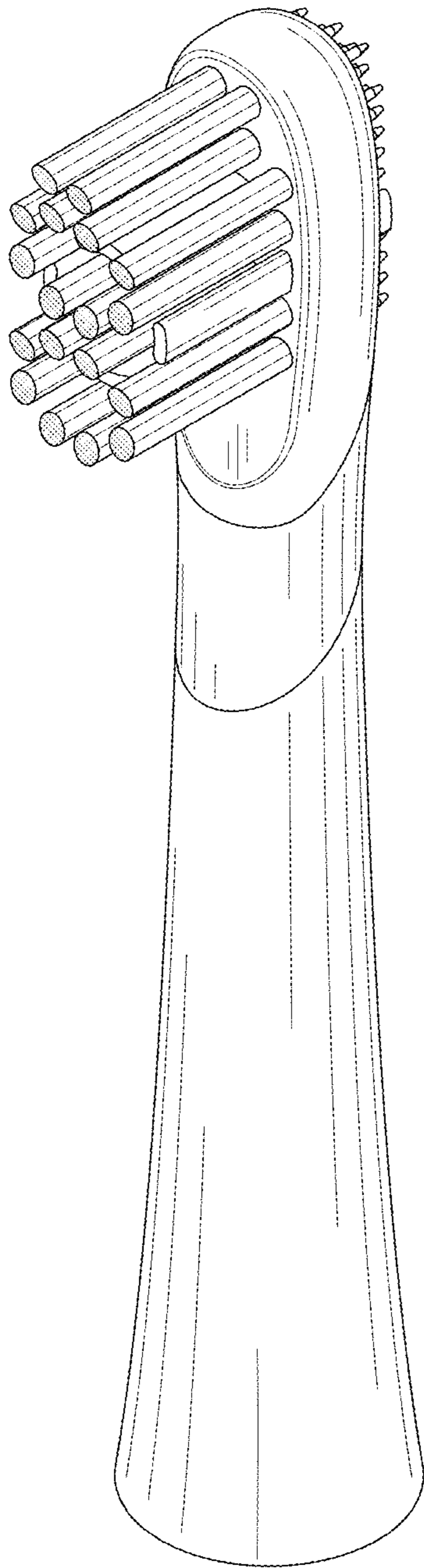


FIG. 1

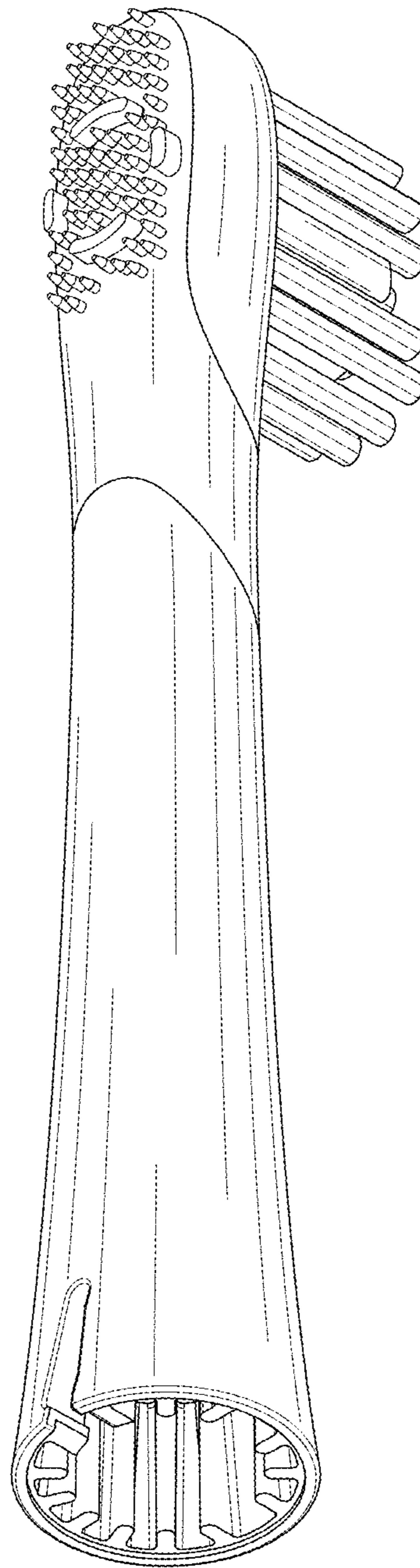


FIG. 2

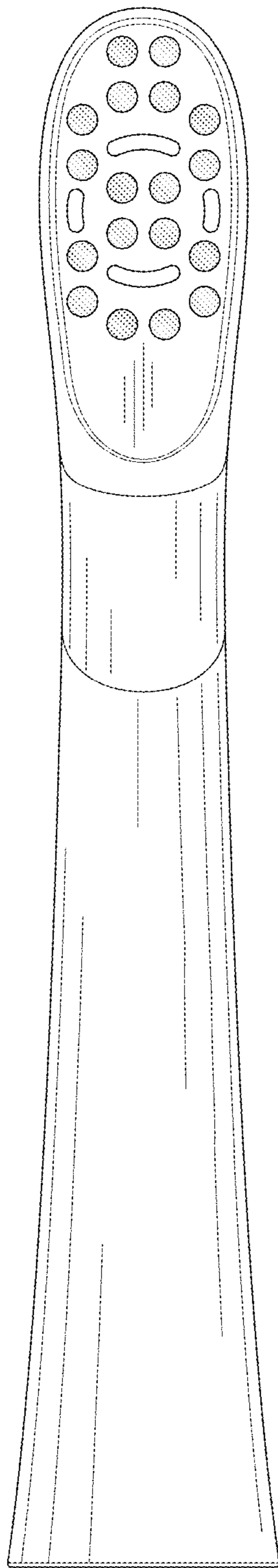


FIG. 3

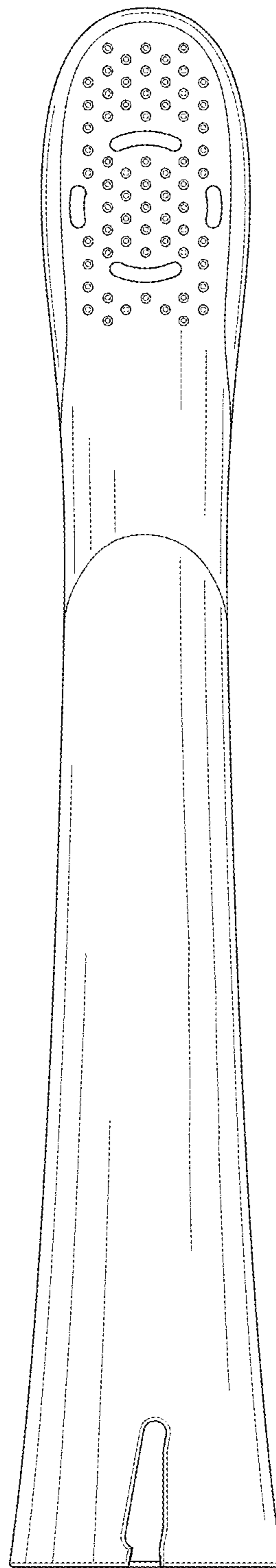


FIG. 4



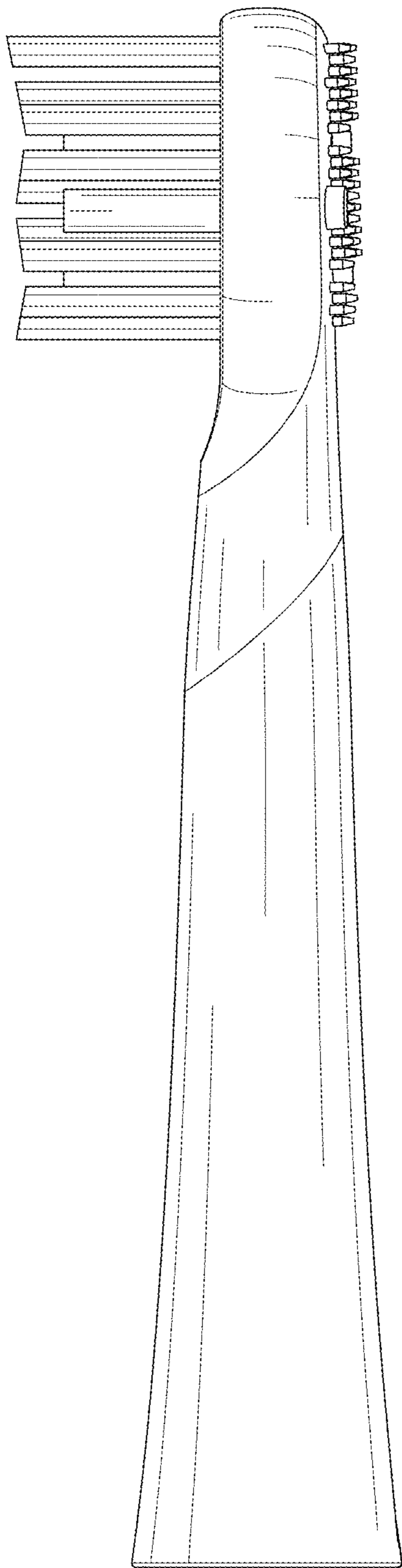


FIG. 5

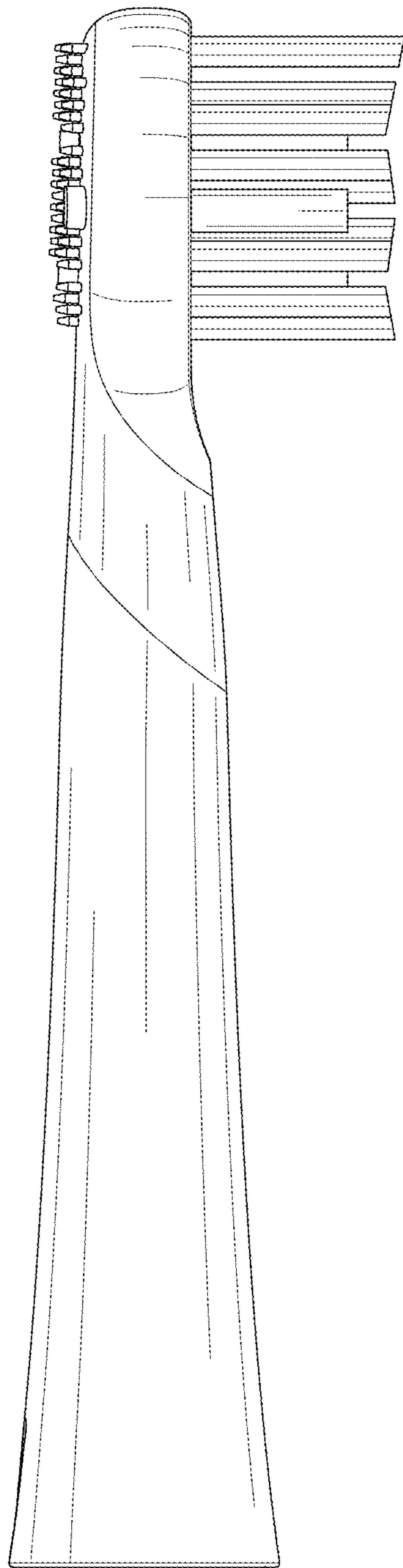


FIG. 6

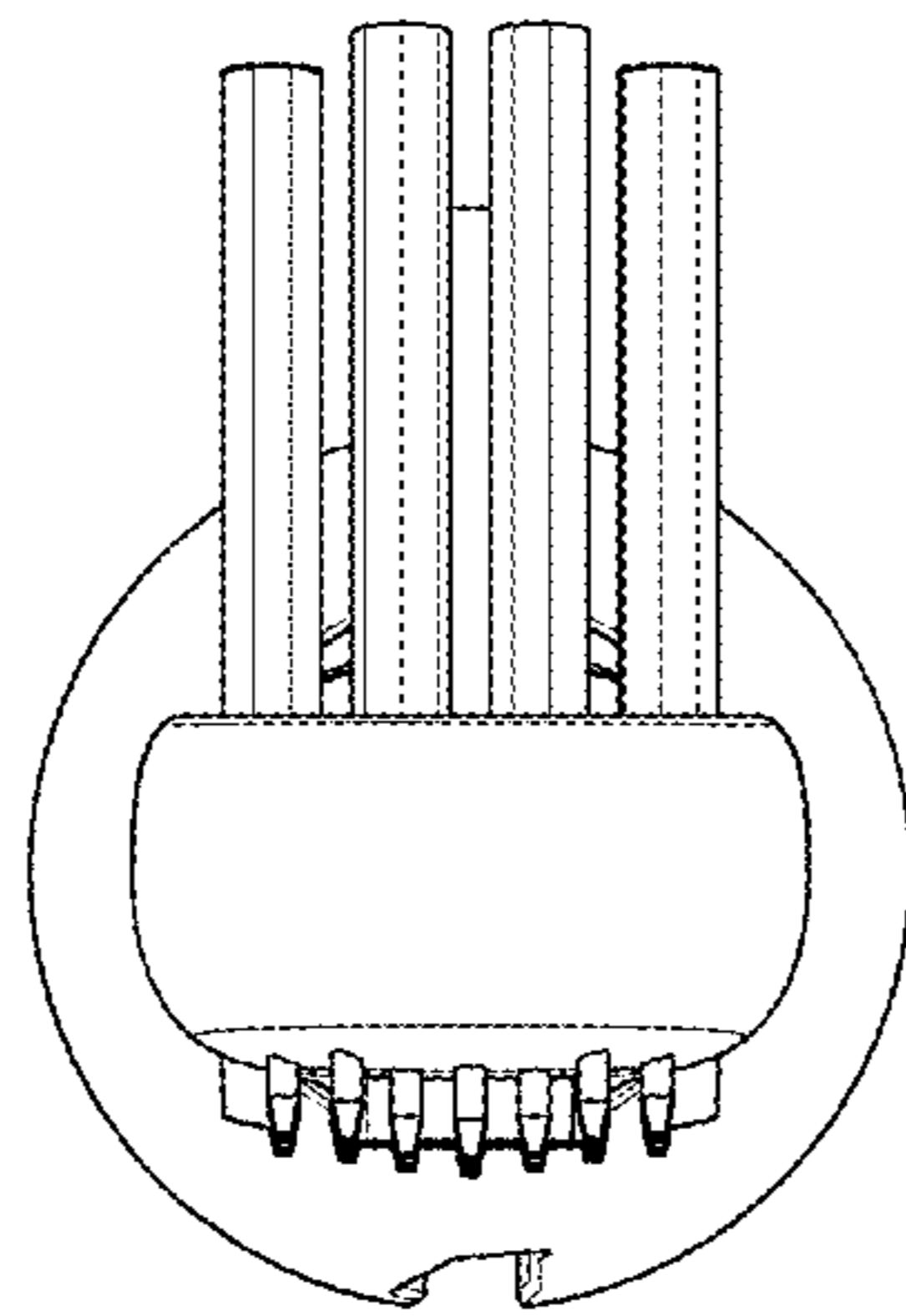


FIG. 7

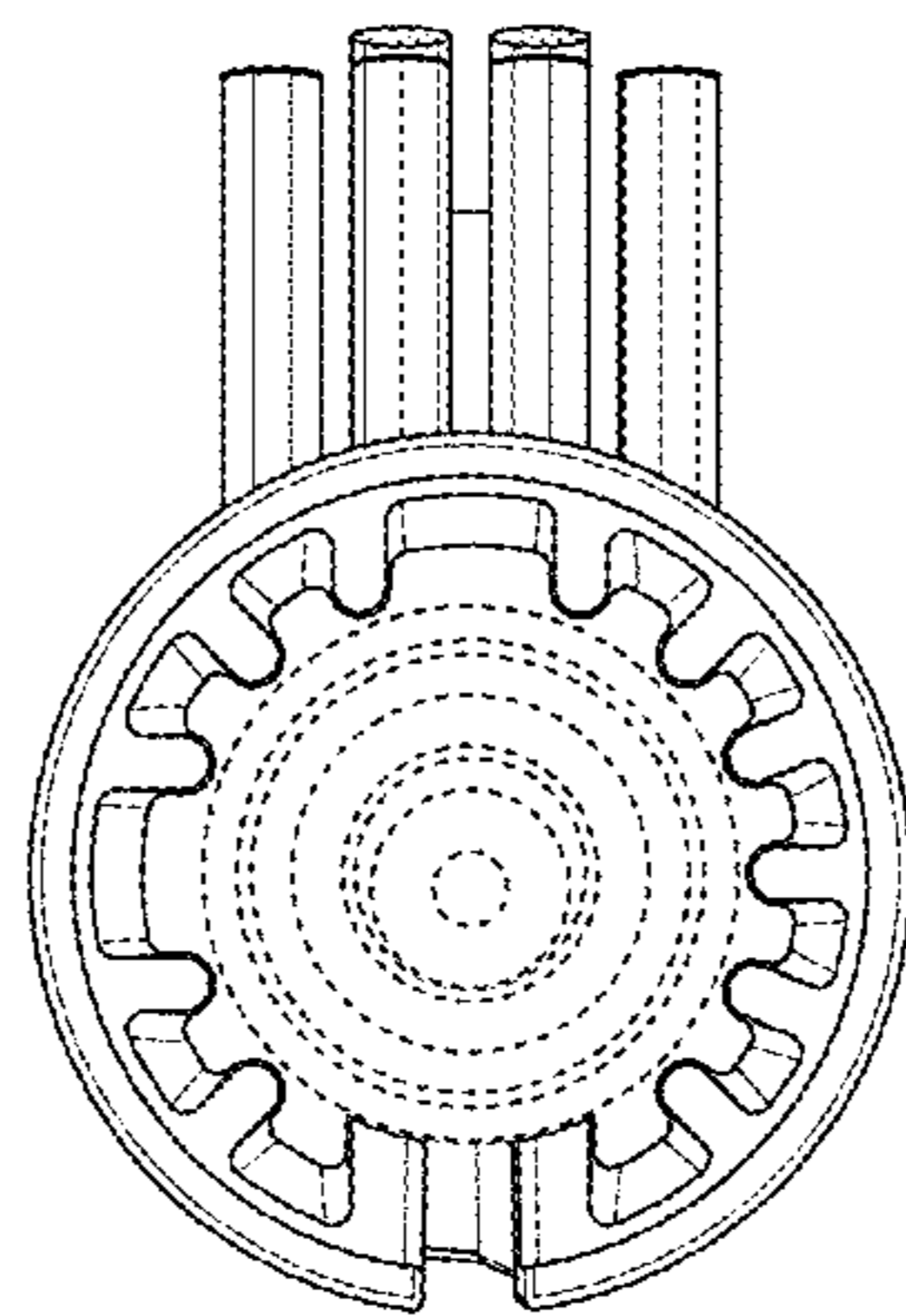


FIG. 8