



US00D799215S

(12) **United States Design Patent**
Pacha

(10) **Patent No.:** **US D799,215 S**
(45) **Date of Patent:** **** Oct. 10, 2017**

(54) **GOLF BAG BOTTOM**

(71) Applicant: **PARSONS XTREME GOLF, LLC**,
Scottsdale, AZ (US)

(72) Inventor: **Duane E. Pacha**, Chandler, AZ (US)

(73) Assignee: **PARSONS XTREME GOLF, LLC**,
Scottsdale, AZ (US)

(**) Term: **15 Years**

(21) Appl. No.: **29/568,247**

(22) Filed: **Jun. 16, 2016**

Related U.S. Application Data

(63) Continuation-in-part of application No. 29/567,217,
filed on Jun. 7, 2016, now abandoned.

(51) **LOC (10) Cl.** **03-01**

(52) **U.S. Cl.**
USPC **D3/318; D8/374**

(58) **Field of Classification Search**
USPC **D3/255, 318; D8/374**
CPC .. **A45C 5/00; A45C 13/36; A45C 5/14; A63B**
57/00; A63B 55/00
See application file for complete search history.

(56) **References Cited**

U.S. PATENT DOCUMENTS

D44,996 S * 12/1913 Buser D8/374
D167,876 S * 9/1952 Auer D8/374

D332,030 S * 12/1992 Kauffman D7/624.1
D340,638 S * 10/1993 Campbell D19/88
D513,125 S * 12/2005 Anderson D3/320
D517,401 S * 3/2006 Carnevali D8/374
D523,293 S * 6/2006 Disbrow D7/619.1
D578,765 S * 10/2008 Anderson D3/318
D644,837 S * 9/2011 Anderson D3/255
D649,442 S * 11/2011 Gardner D8/374
D660,136 S * 5/2012 Jarowenko D8/374
D677,994 S * 3/2013 Williams D7/624.1
2002/0179466 A1* 12/2002 Maeng A63B 55/00
206/315.3

* cited by examiner

Primary Examiner — Holly H Baynham

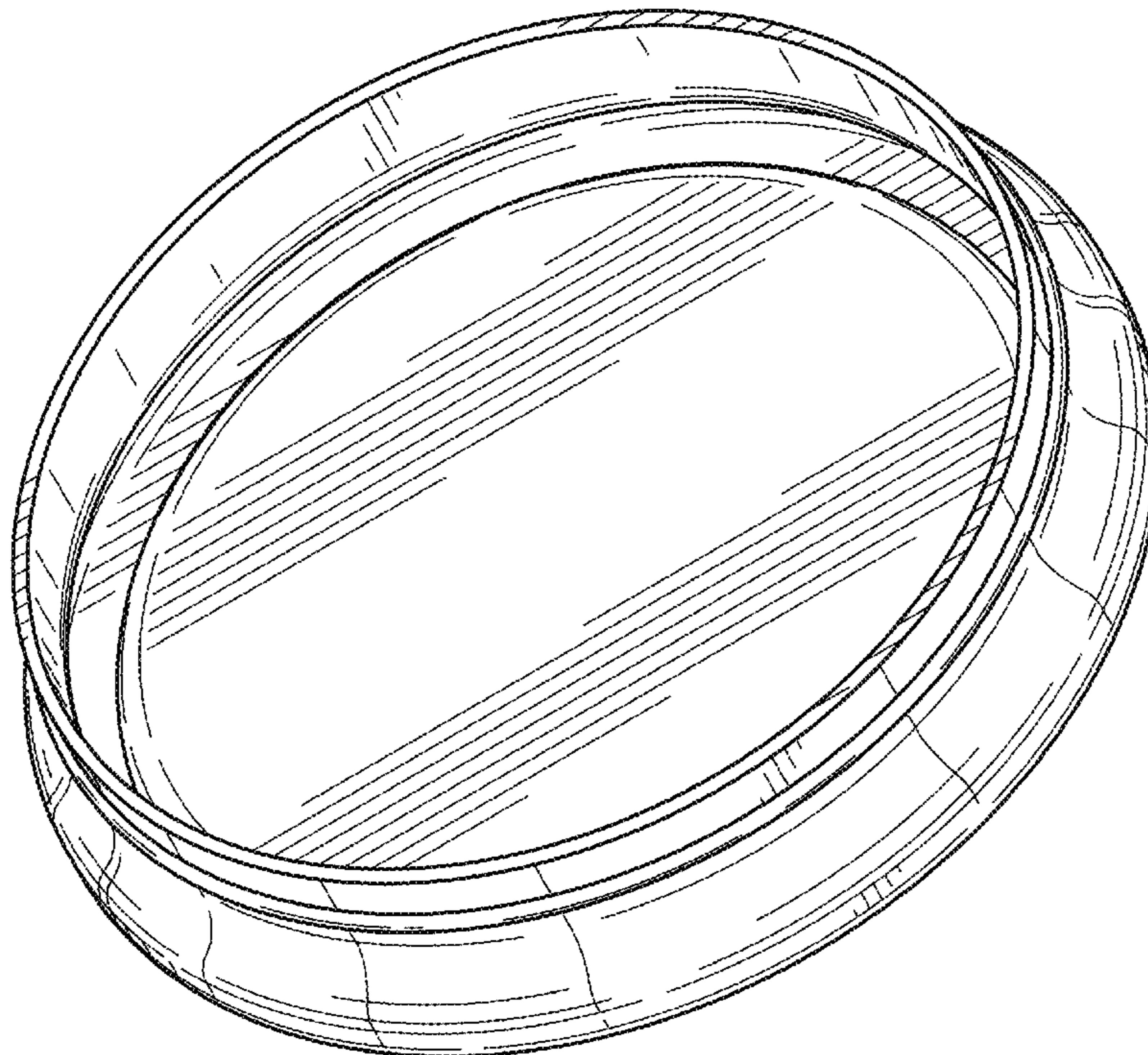
(57) **CLAIM**

The ornamental design for a golf bag bottom, as shown and described.

DESCRIPTION

FIG. 1 is a top perspective view of a golf bag bottom;
FIG. 2 is a bottom perspective view of the golf bag bottom
of FIG. 1;
FIG. 3 is a side view of the golf bag bottom of FIG. 1;
FIG. 4 is a top view of the golf bag bottom of FIG. 1; and,
FIG. 5 is a bottom view of the golf bag bottom of FIG. 1.

1 Claim, 5 Drawing Sheets



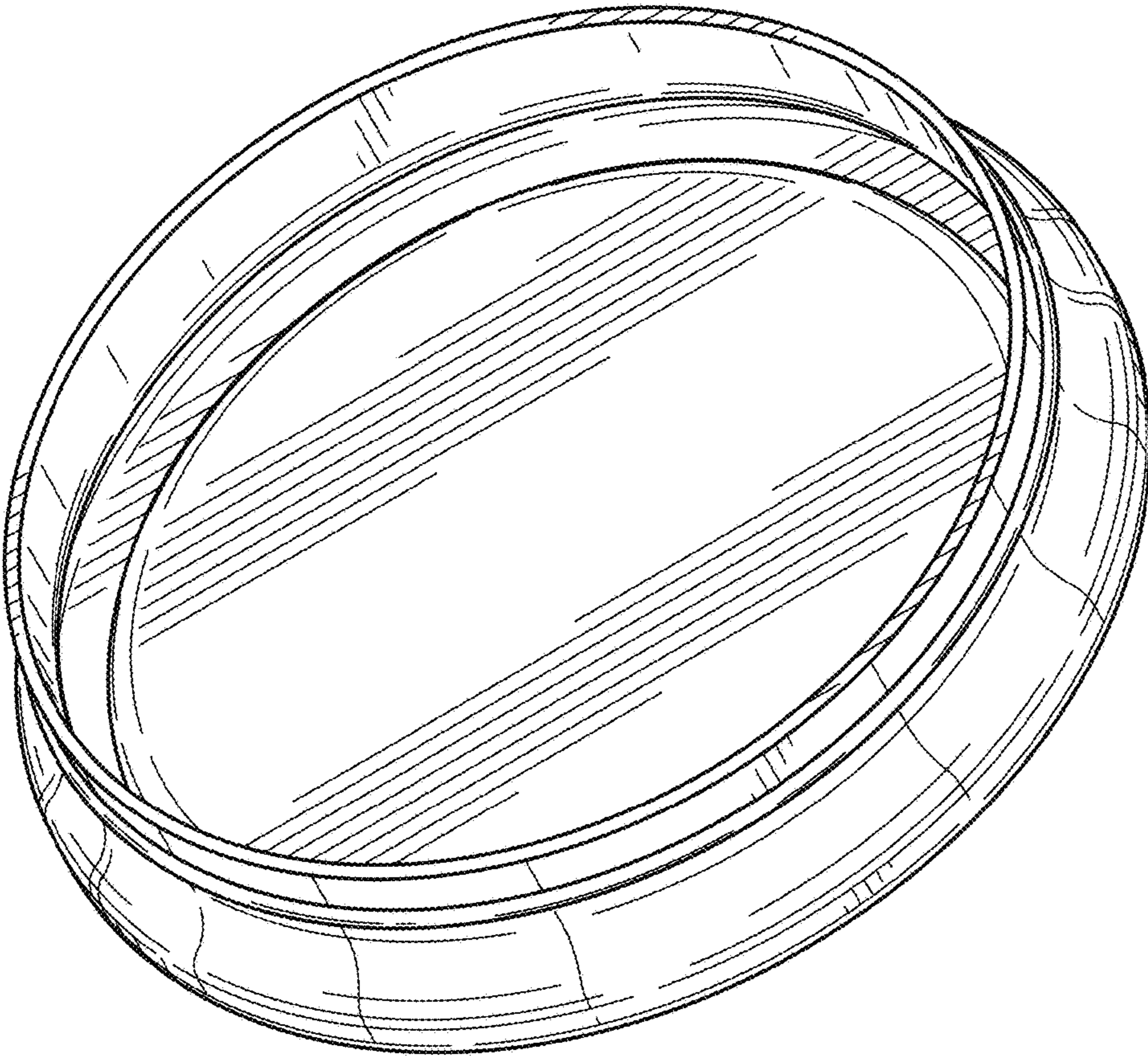


FIG. 1

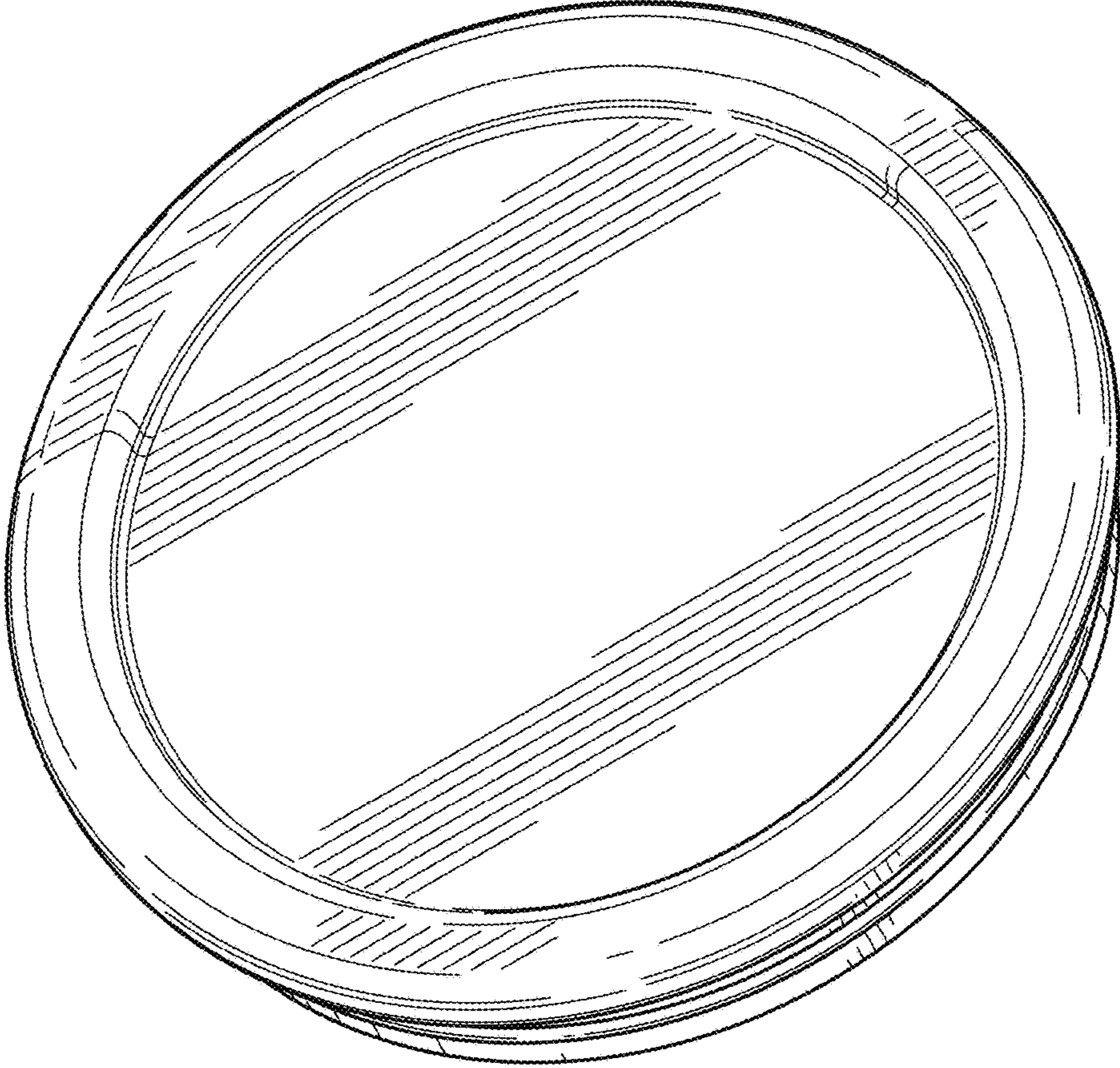


FIG. 2

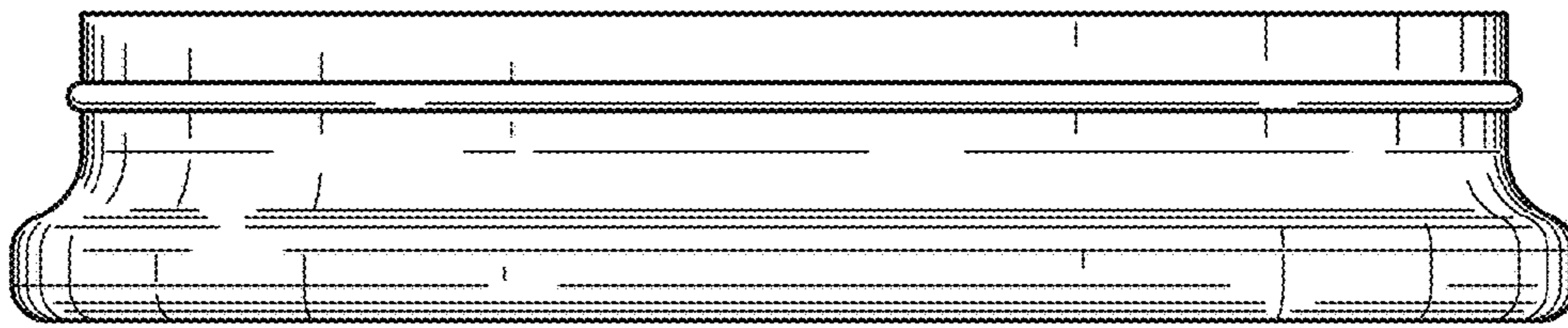


FIG. 3

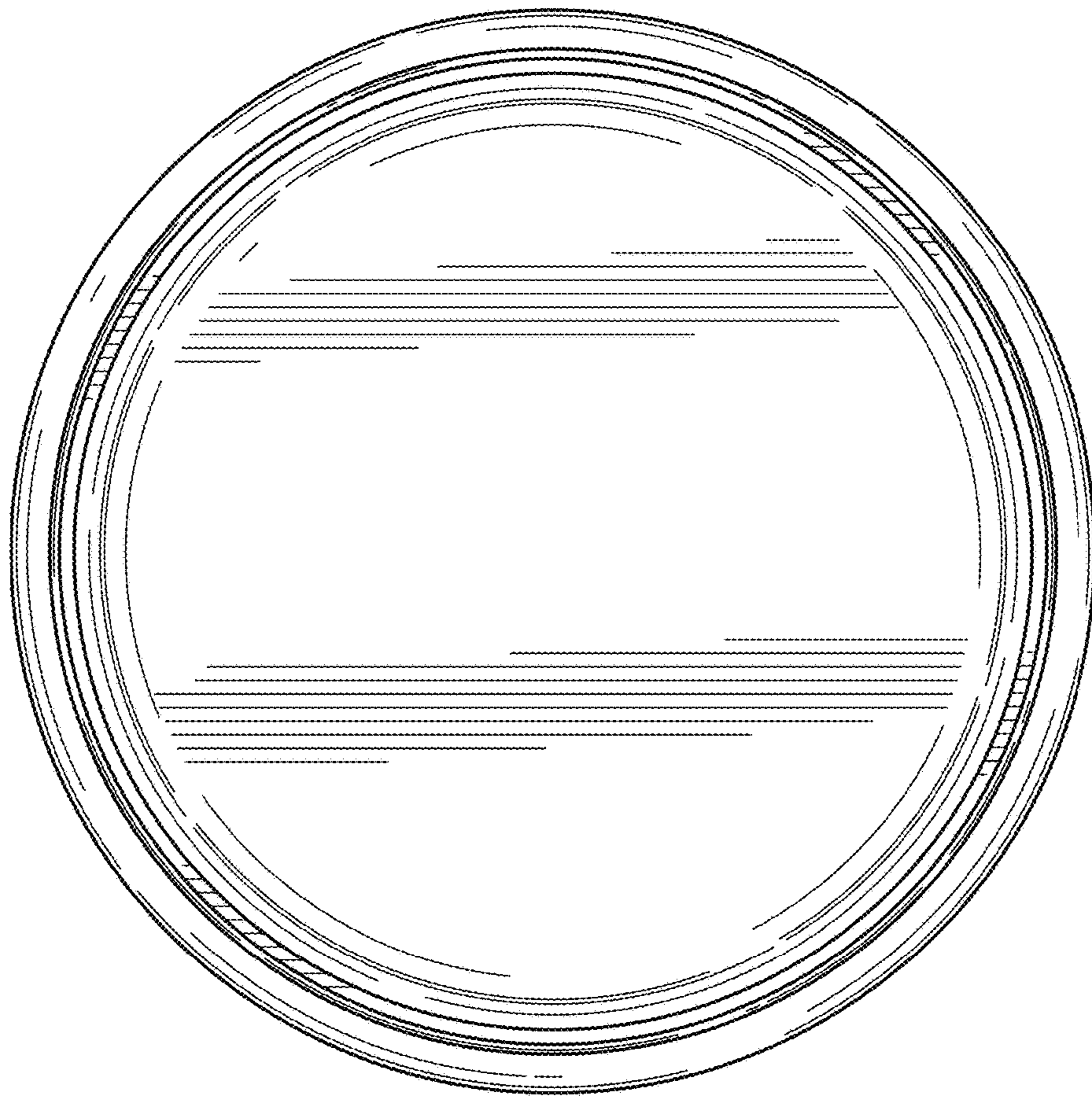


FIG. 4

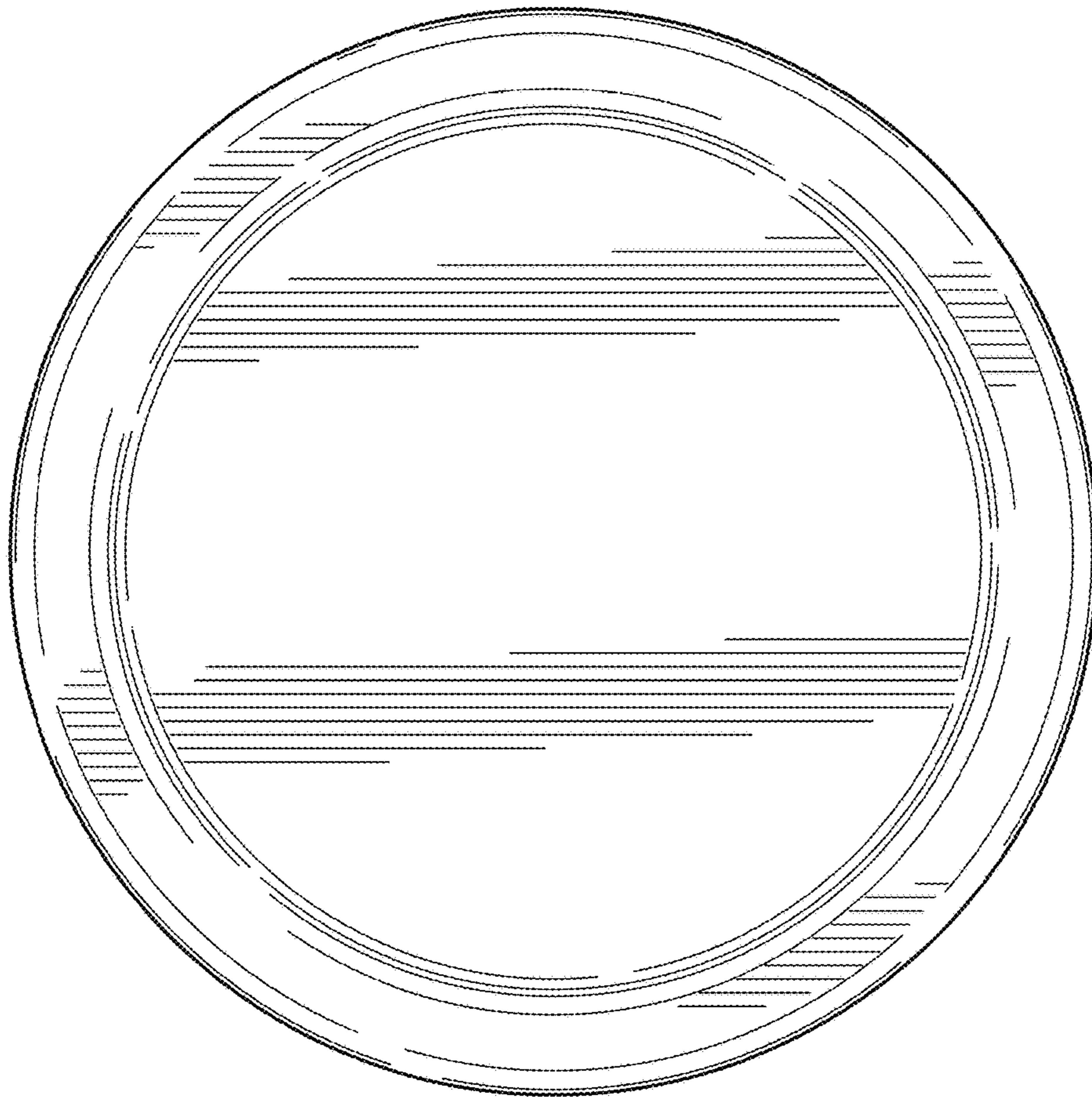


FIG. 5