

US00D799214S

(12) **United States Design Patent**
Chalk

(10) **Patent No.:** **US D799,214 S**

(45) **Date of Patent:** **** *Oct. 10, 2017**

(54) **BACKPACK**

D672,141 S * 12/2012 Harbinson D3/232

(71) Applicant: **NFINITY IP, LLC**, Atlanta, GA (US)

* cited by examiner

(72) Inventor: **Grace Chalk**, Atlanta, GA (US)

Primary Examiner — Holly Baynham

(73) Assignee: **Nfinity IP, LLC**, Atlanta, GA (US)

(74) *Attorney, Agent, or Firm* — Thomas | Horstmeyer, LLP

(*) Notice: This patent is subject to a terminal disclaimer.

(57) **CLAIM**

The ornamental design for a backpack, as shown and described.

(**) Term: **15 Years**

DESCRIPTION

(21) Appl. No.: **29/542,584**

(22) Filed: **Oct. 15, 2015**

(51) **LOC (10) Cl.** **03-01**

(52) **U.S. Cl.**
USPC **D3/318**

(58) **Field of Classification Search**
USPC D3/216, 232, 318
CPC A45F 4/02; A45F 3/04
See application file for complete search history.

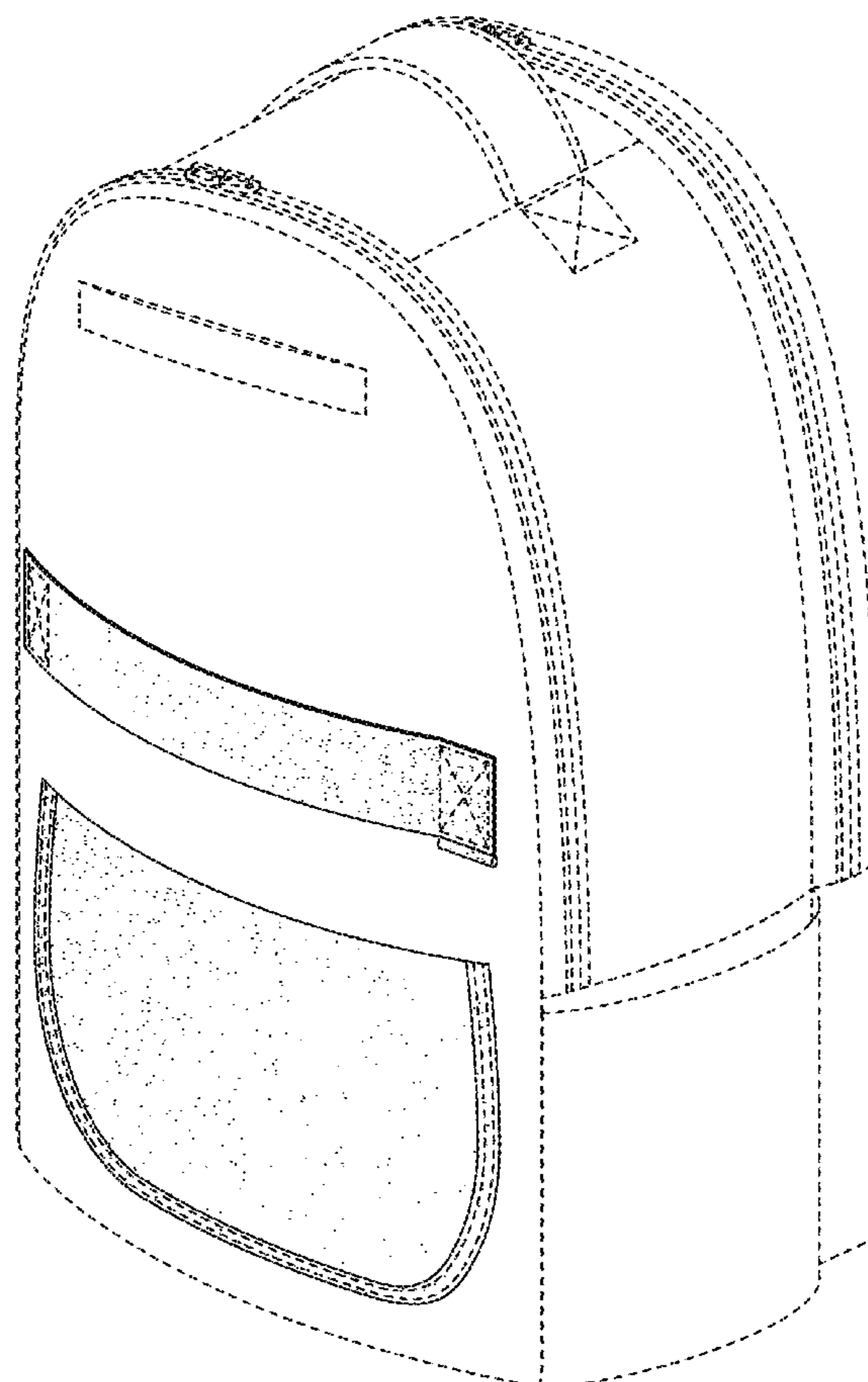
FIG. 1 is a perspective view of a first embodiment of a backpack showing my new design; FIG. 2 is a front elevational view of the backpack of FIG. 1; FIG. 3 is a left side elevational view of the backpack of FIG. 1; FIG. 4 is a right side elevational view of the backpack of FIG. 1; FIG. 5 is a top plan view of the backpack of FIG. 1; FIG. 6 is a bottom plan view of the backpack of FIG. 1; and, FIG. 7 is a perspective view of the backpack of FIG. 1 in use. The broken lines showing portions of the backpack and shoes are for the purposes of illustrating environment and forms no part of the claimed design.

(56) **References Cited**

U.S. PATENT DOCUMENTS

D591,500 S * 5/2009 Siegel D3/232
D595,051 S * 6/2009 Namey D3/232

1 Claim, 7 Drawing Sheets



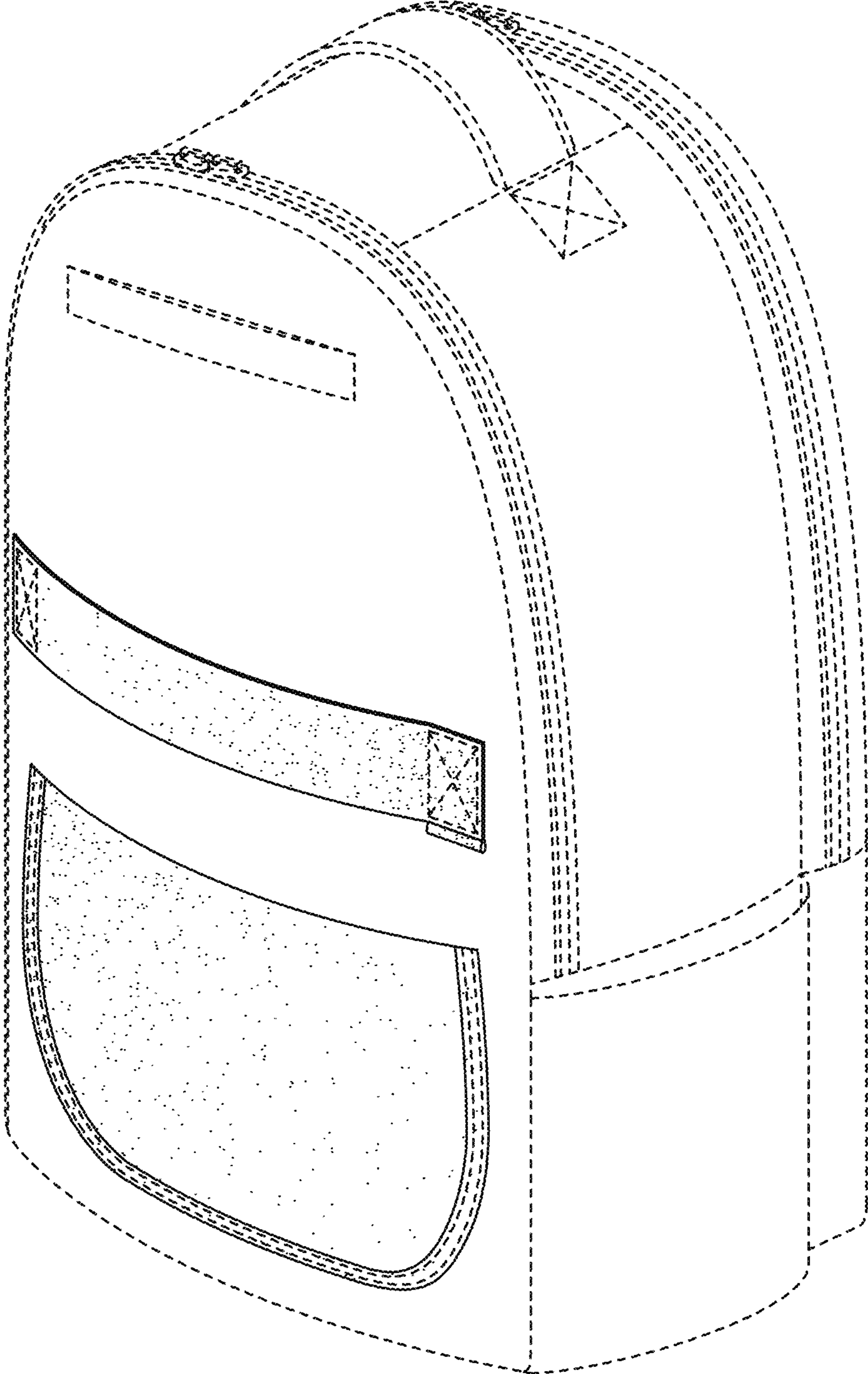


FIG. 1

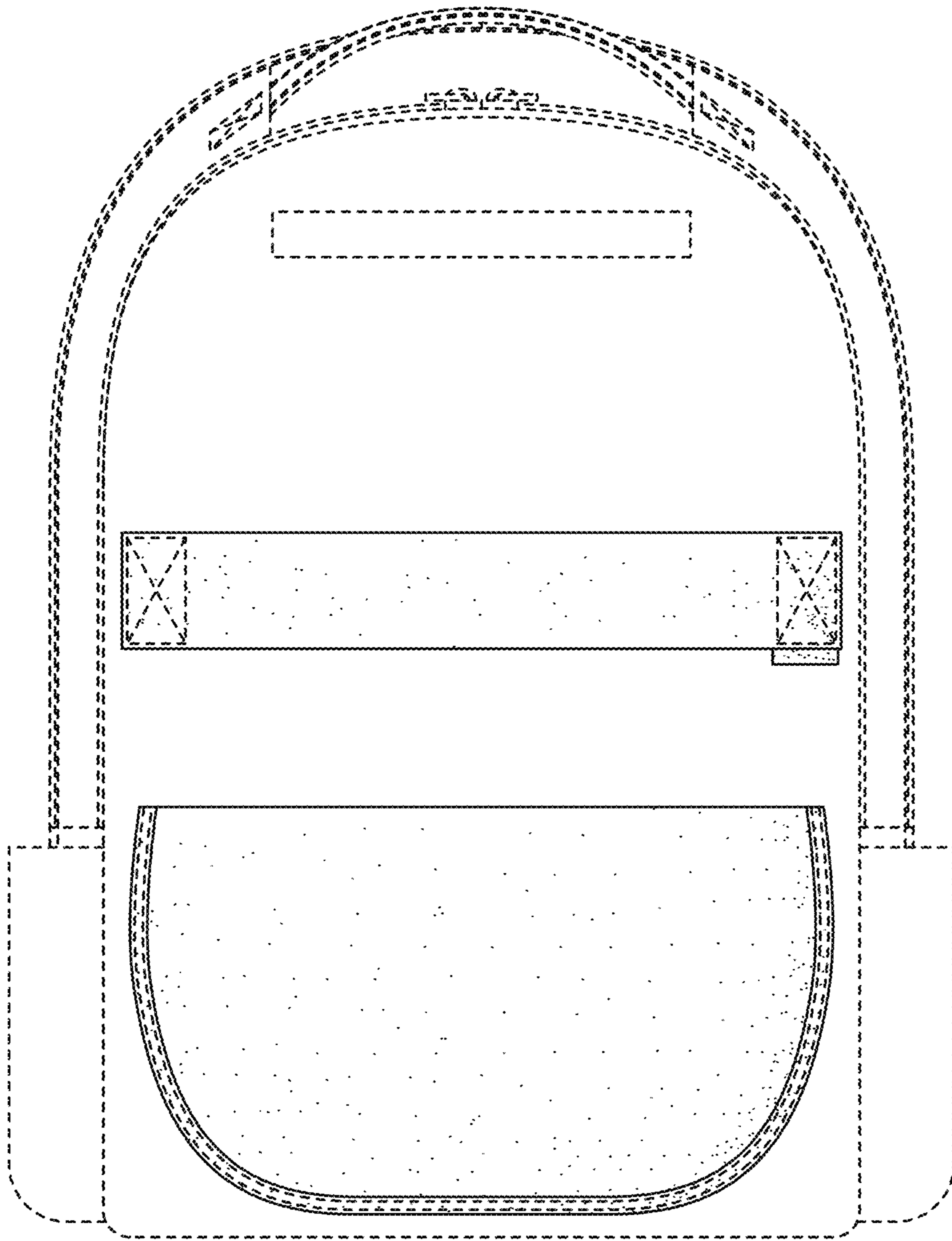


FIG. 2

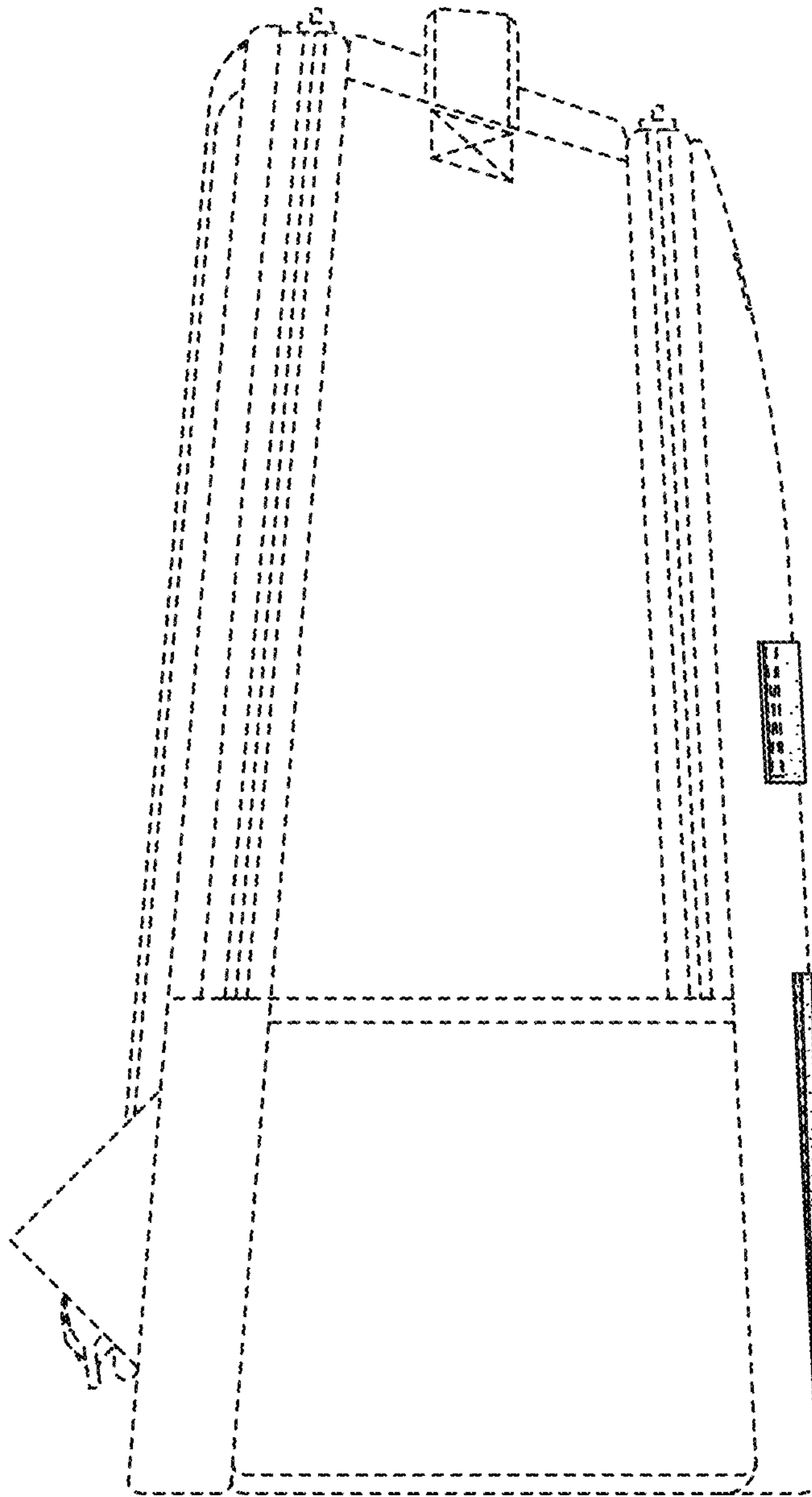


FIG. 3

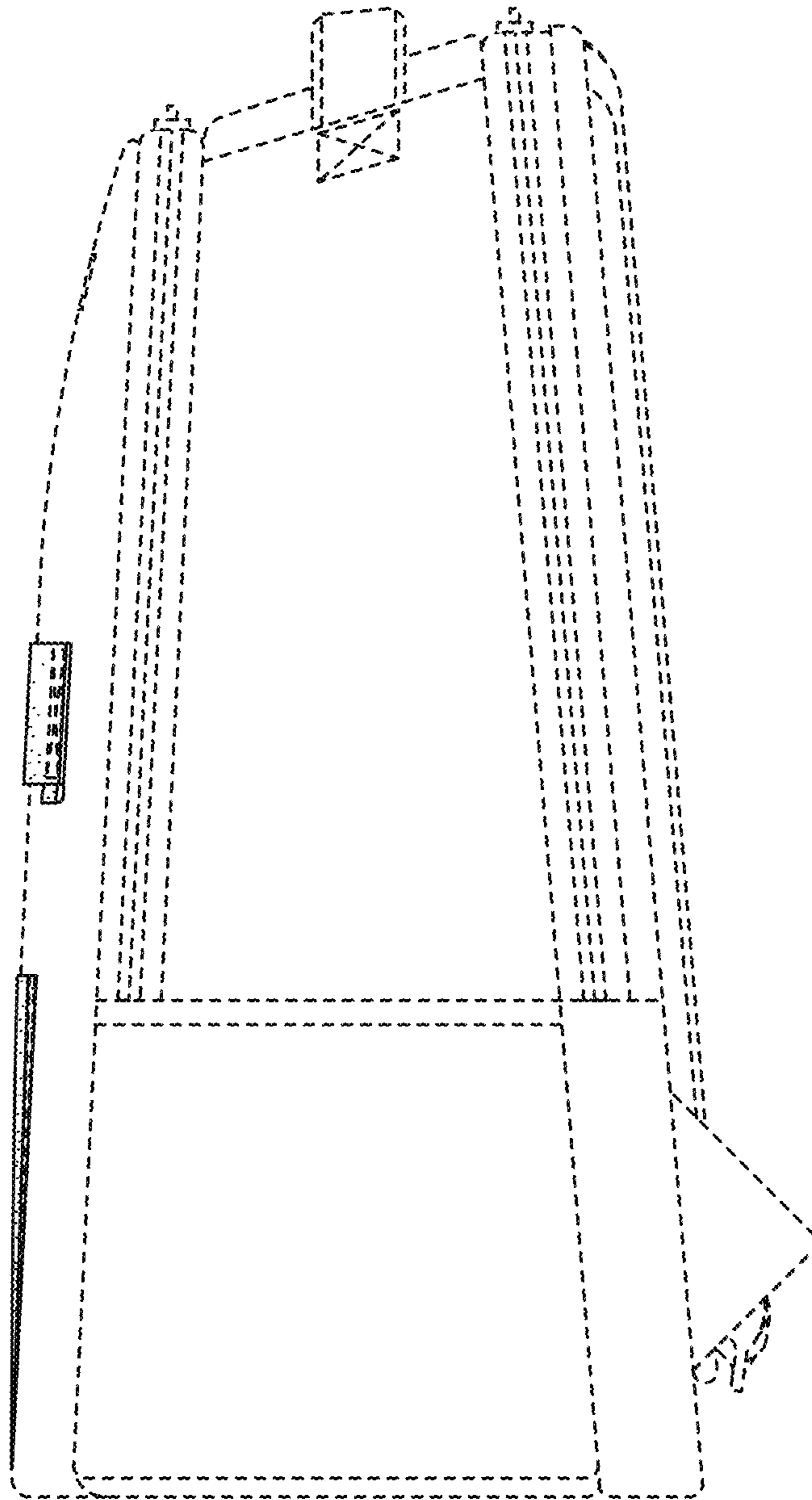


FIG. 4

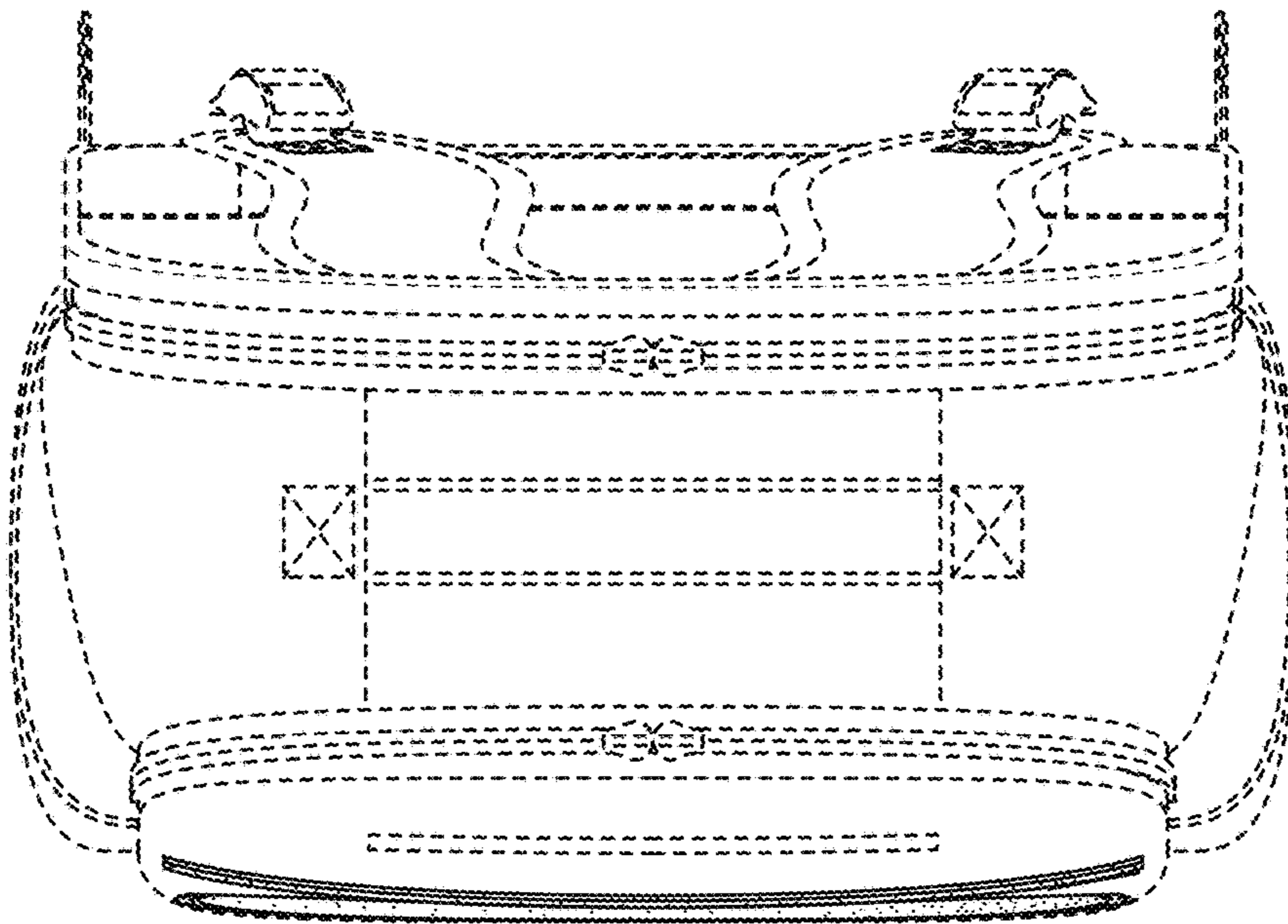


FIG. 5

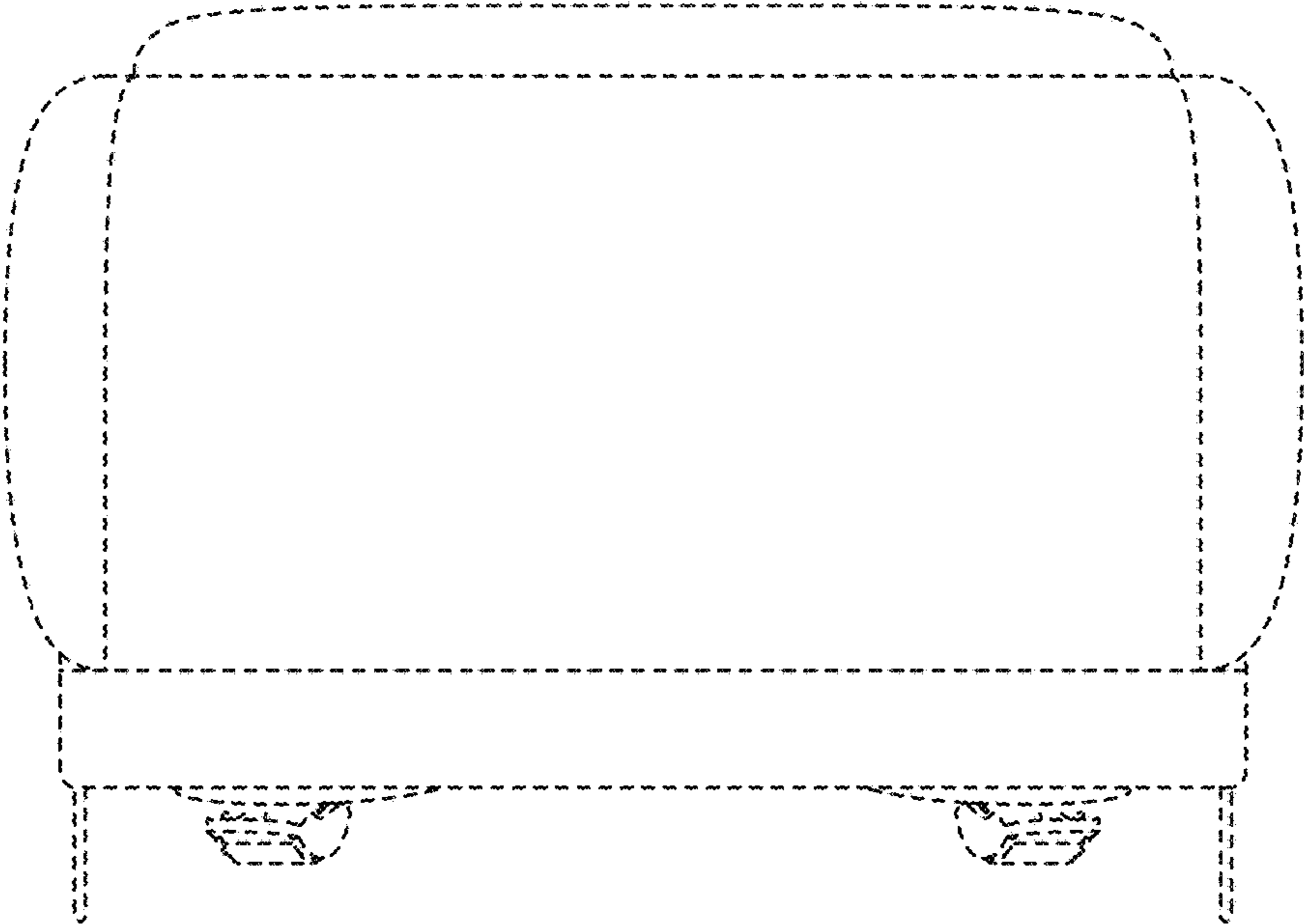


FIG. 6

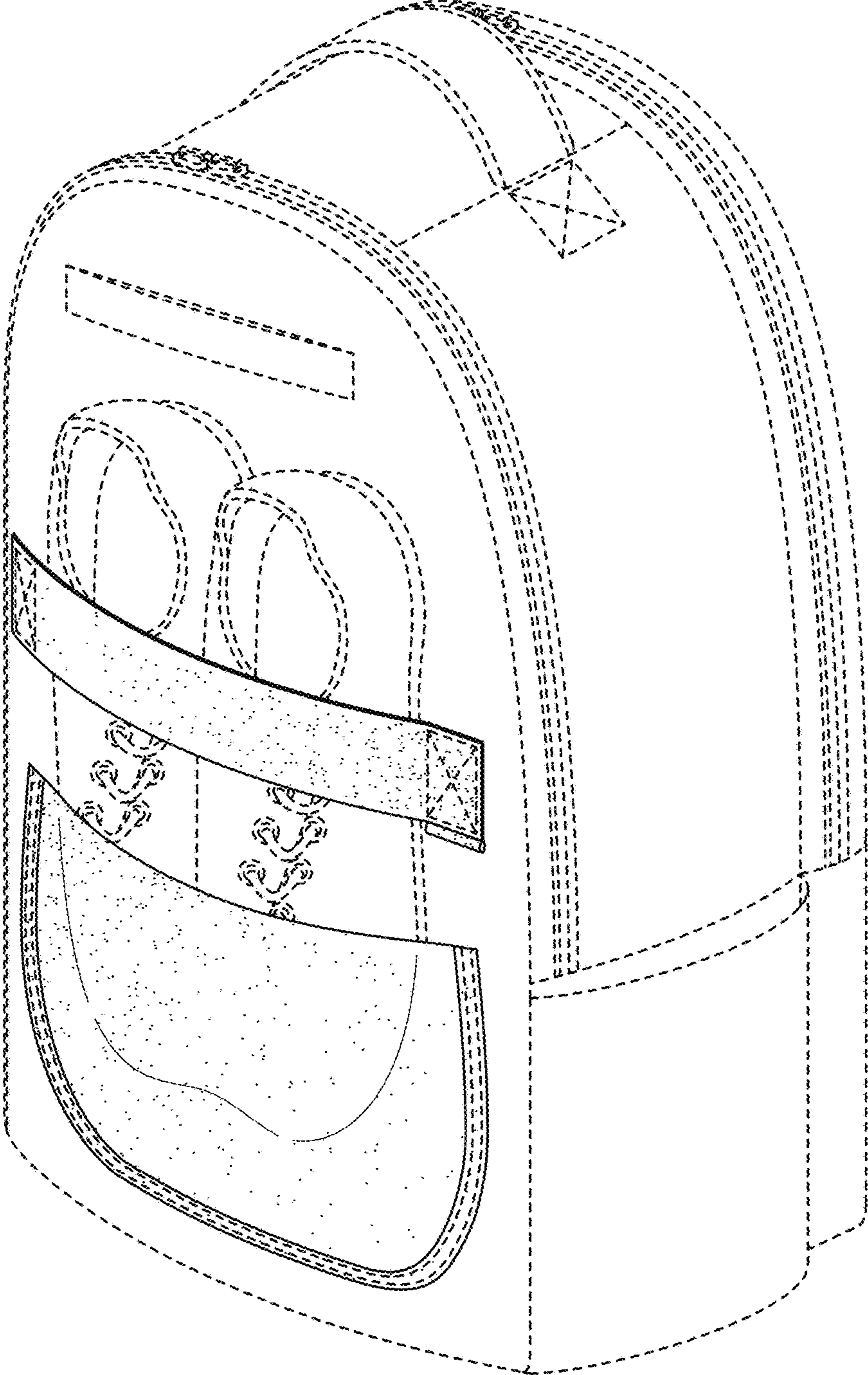


FIG. 7