



US00D799213S

(12) **United States Design Patent** (10) **Patent No.:** **US D799,213 S**
Goodman et al. (45) **Date of Patent:** **** Oct. 10, 2017**

(54) BASKET	4,763,606 A *	8/1988	Ondrasik, II	A01K 31/08 119/474
(71) Applicant: Spectrum Diversified Designs, LLC , Streetsboro, OH (US)	4,830,200 A *	5/1989	Zambano	A47L 15/505 211/133.5
(72) Inventors: Aaron Goodman , Beachwood, OH (US); Phaysouk Xayoiphonh , Akron, OH (US); Wenyue Wang , Stow, OH (US)	D338,749 S *	8/1993	McConnell	D32/3
	D364,272 S *	11/1995	Brightbill	D3/312
	D421,336 S *	3/2000	Demore	D3/201
	D427,730 S *	7/2000	Powers	D30/114
	D508,321 S *	8/2005	Anderson	D3/306
	D670,080 S *	11/2012	James	D3/304
	D776,430 S *	1/2017	Chinni Vergottini	D3/304
(73) Assignee: SPECTRUM DIVERSIFIED DESIGNS, LLC , Streetsboro, OH (US)	2010/0133309 A1 *	6/2010	Lee	B62J 7/04 224/420
	2012/0152993 A1 *	6/2012	Chen	B62J 9/00 224/419

(**) Term: **15 Years**

(21) Appl. No.: **29/594,616**

(22) Filed: **Feb. 21, 2017**

Related U.S. Application Data

(63) Continuation-in-part of application No. 29/555,699,
filed on Feb. 24, 2016, now Pat. No. Des. 789,689.

(51) **LOC (10) Cl.** **03-01**

(52) **U.S. Cl.**
USPC **D3/304**

(58) **Field of Classification Search**
USPC D3/304, 307-309, 311-314, 315, 328;
D9/424-425, 432
CPC ... B65D 1/00; B65D 1/22; B65D 1/38; B65D
1/243
See application file for complete search history.

(56) **References Cited**

U.S. PATENT DOCUMENTS

D237,483 S * 11/1975 Utiz D12/407
D296,600 S * 7/1988 Singerman D3/306

* cited by examiner

Primary Examiner — Kelley Donnelly

(74) *Attorney, Agent, or Firm* — Tucker Ellis LLP

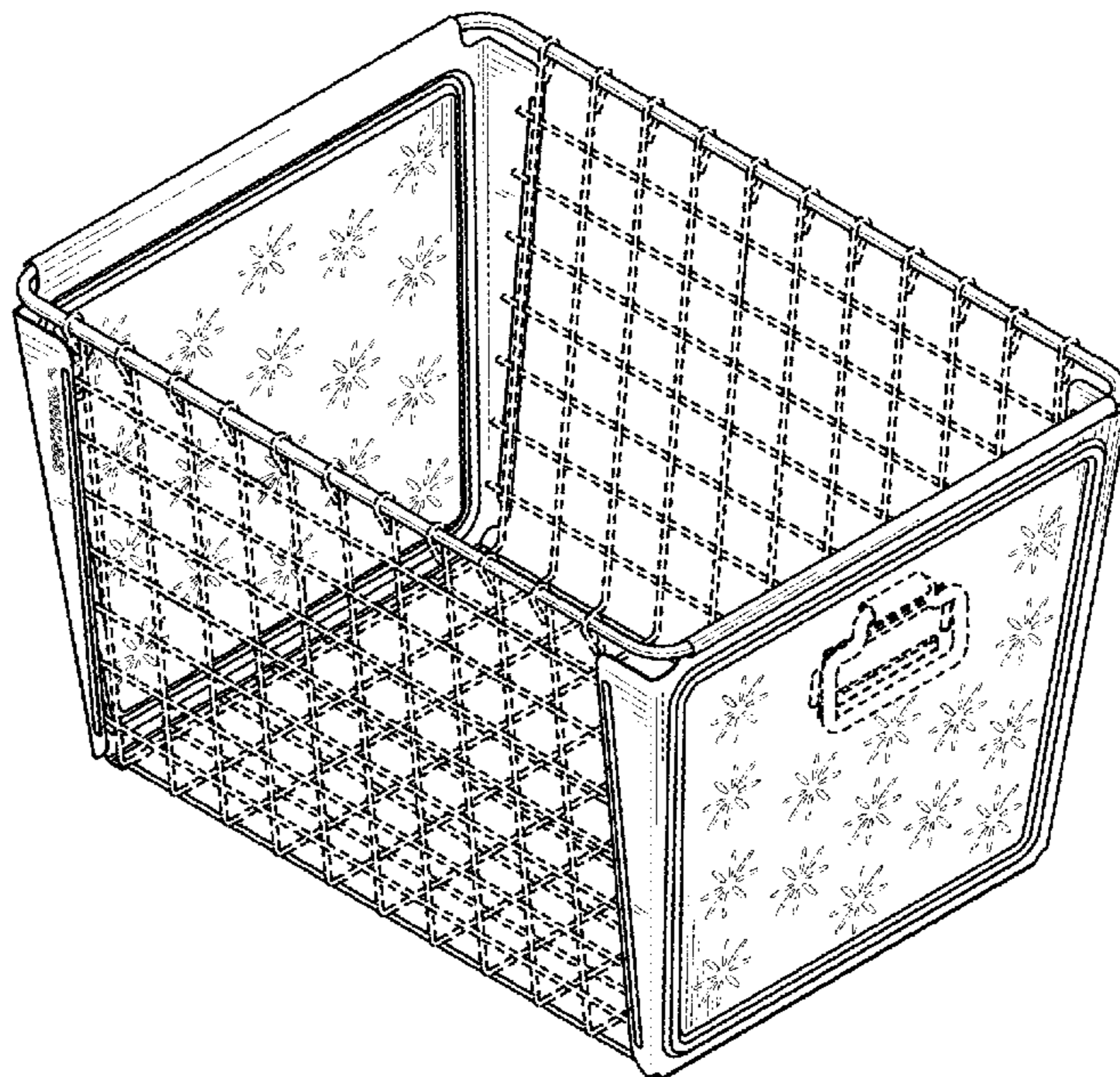
(57) **CLAIM**

The ornamental design for a basket, as shown and described.

DESCRIPTION

FIG. 1 is a perspective view of a basket showing our new design.
FIG. 2 is a right side view thereof.
FIG. 3 is a left side view thereof.
FIG. 4 is a rear view thereof.
FIG. 5 is a front view thereof.
FIG. 6 is a top view thereof; and,
FIG. 7 is a bottom view thereof.
The broken lines shown herein are for illustrative purposes only and form no part of the claimed design.

1 Claim, 4 Drawing Sheets



1/4

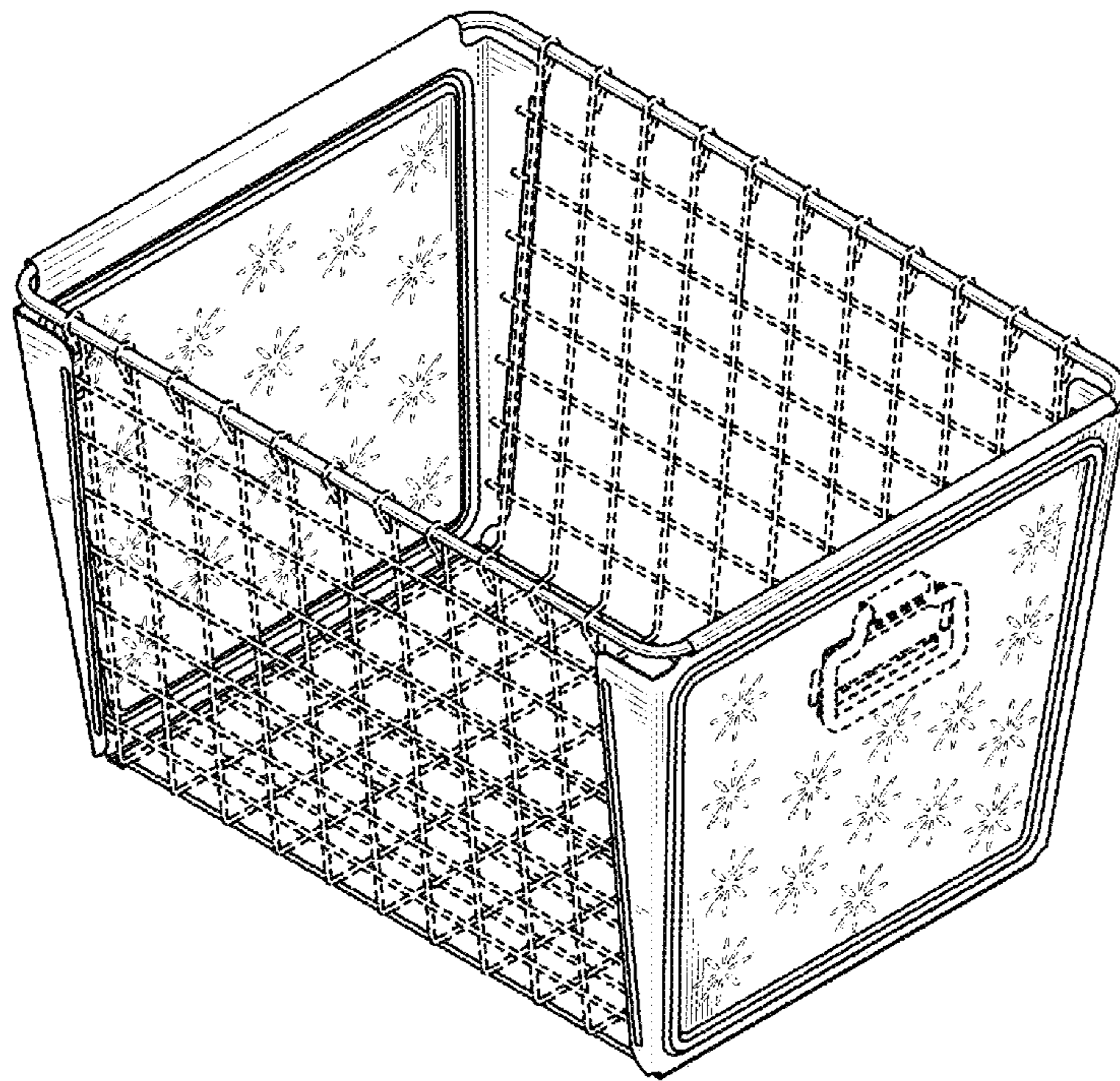


FIG. 1

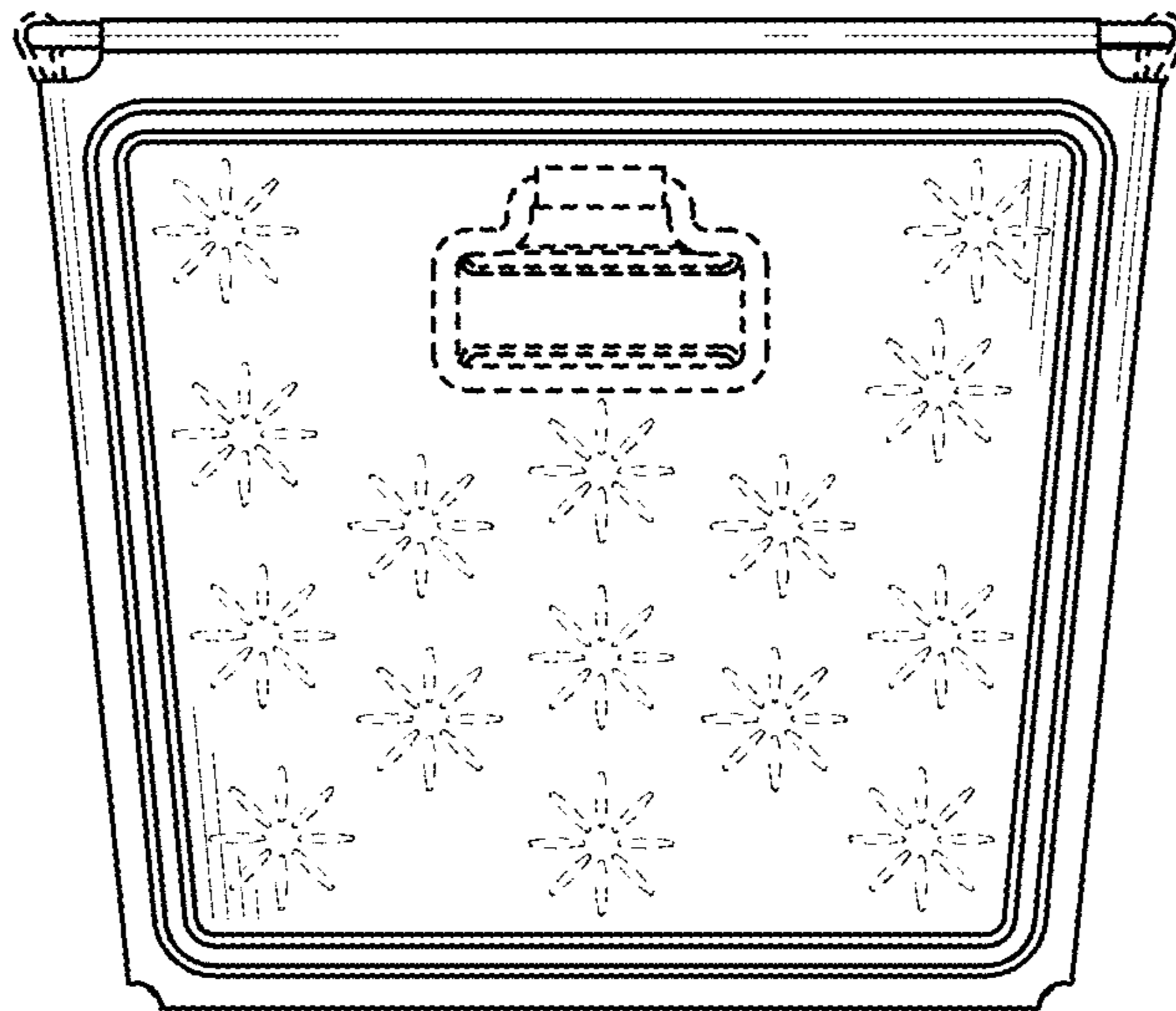


FIG. 2

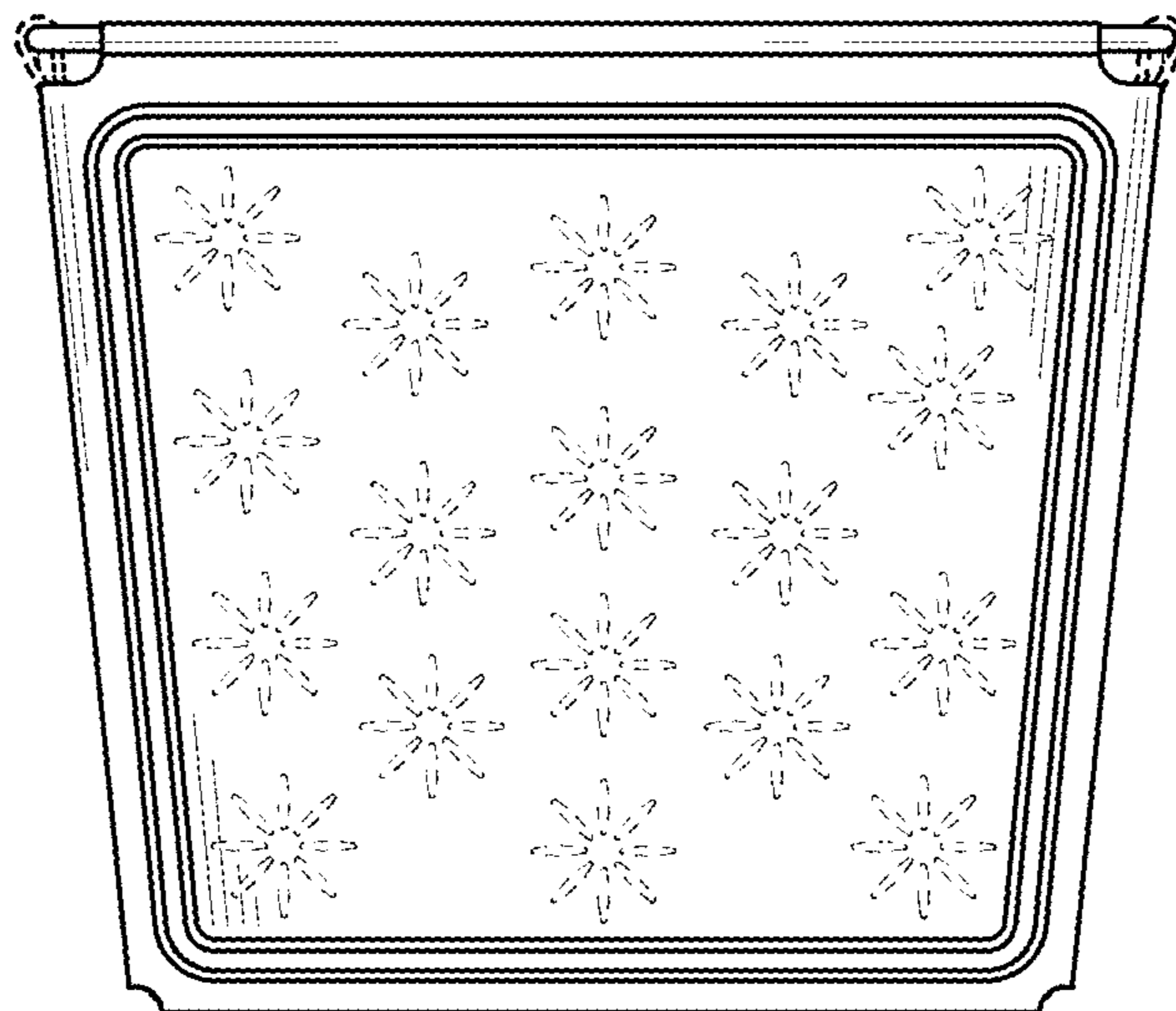


FIG. 3

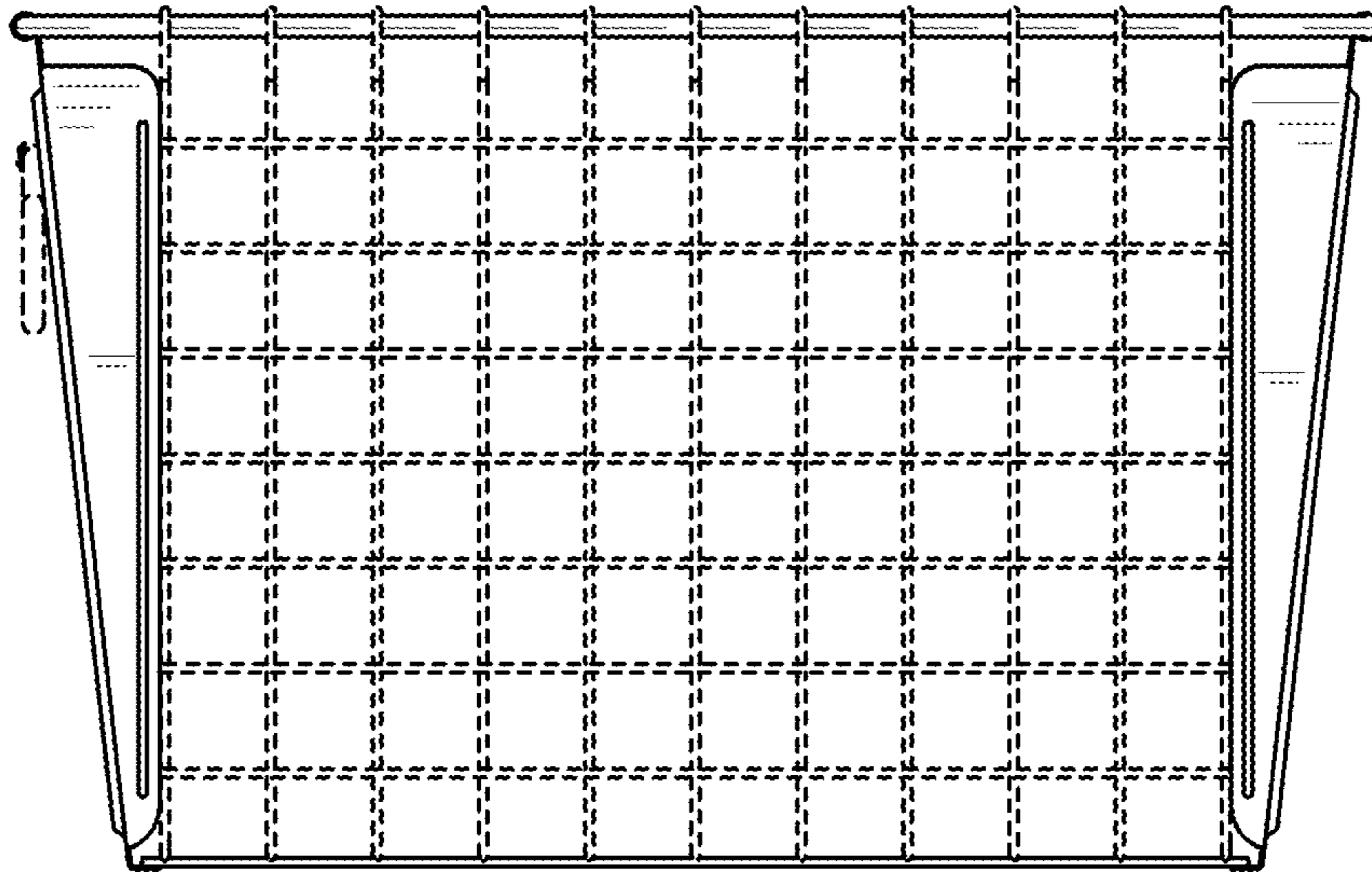


FIG. 4

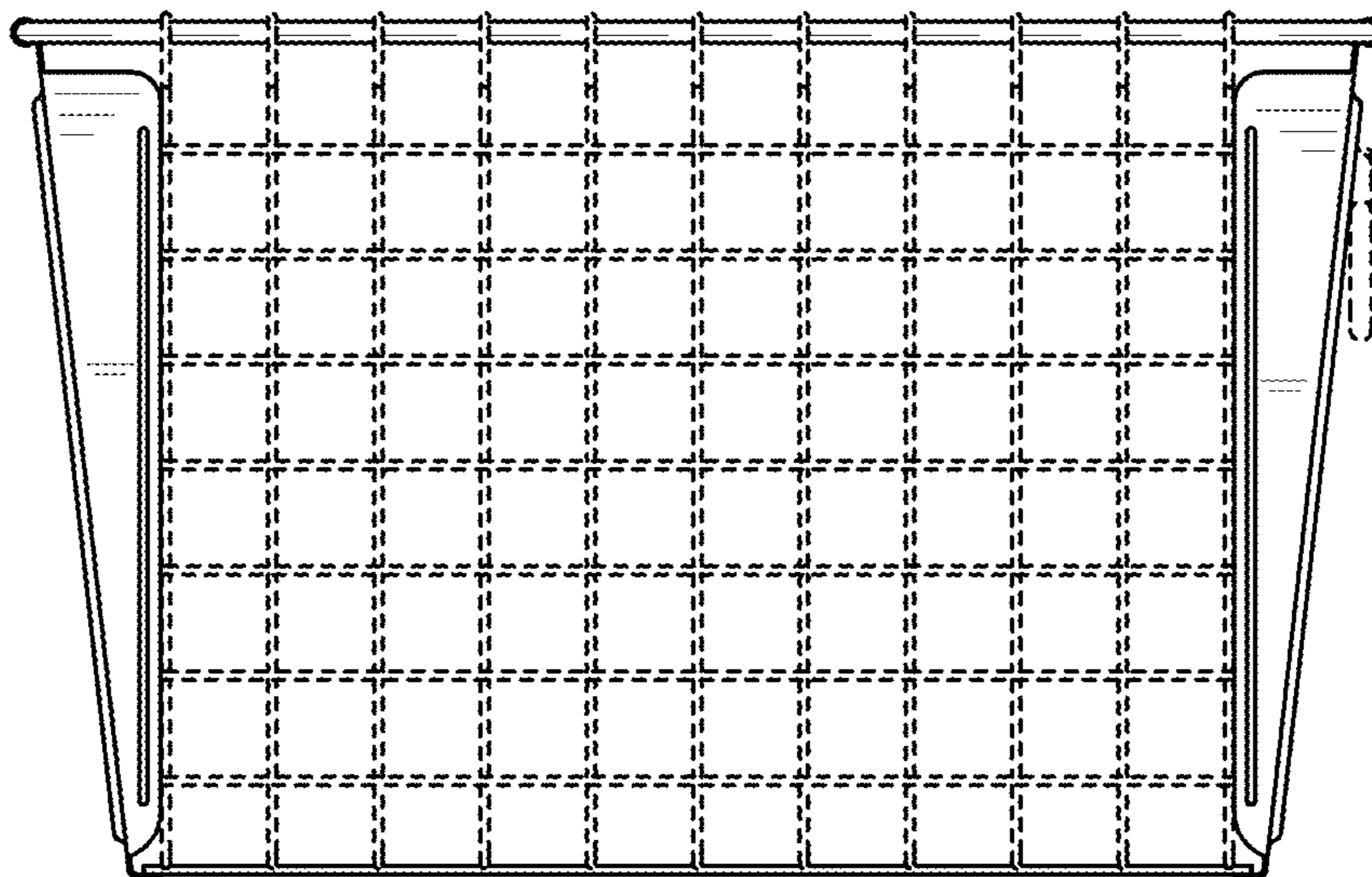


FIG. 5

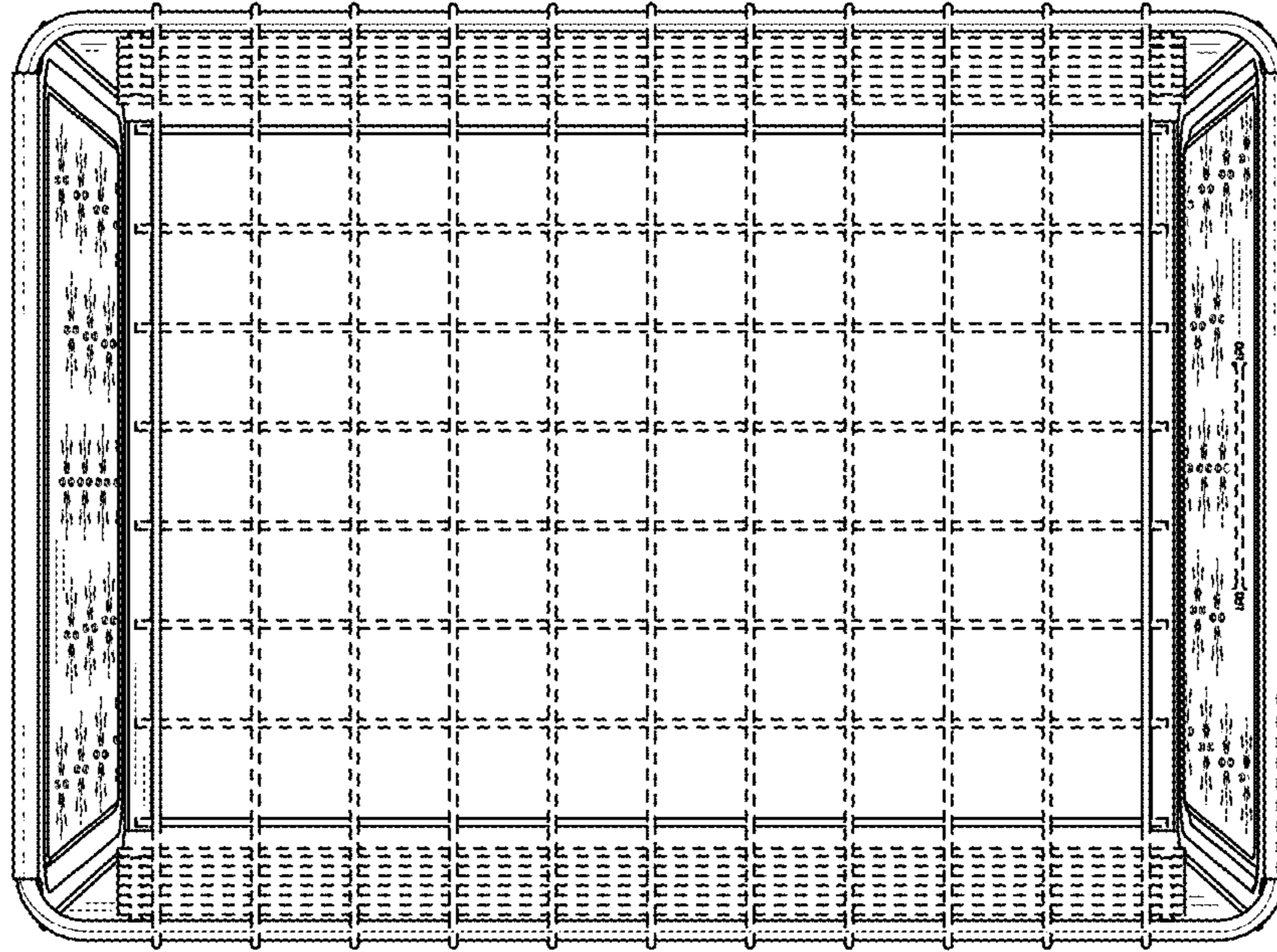


FIG. 6

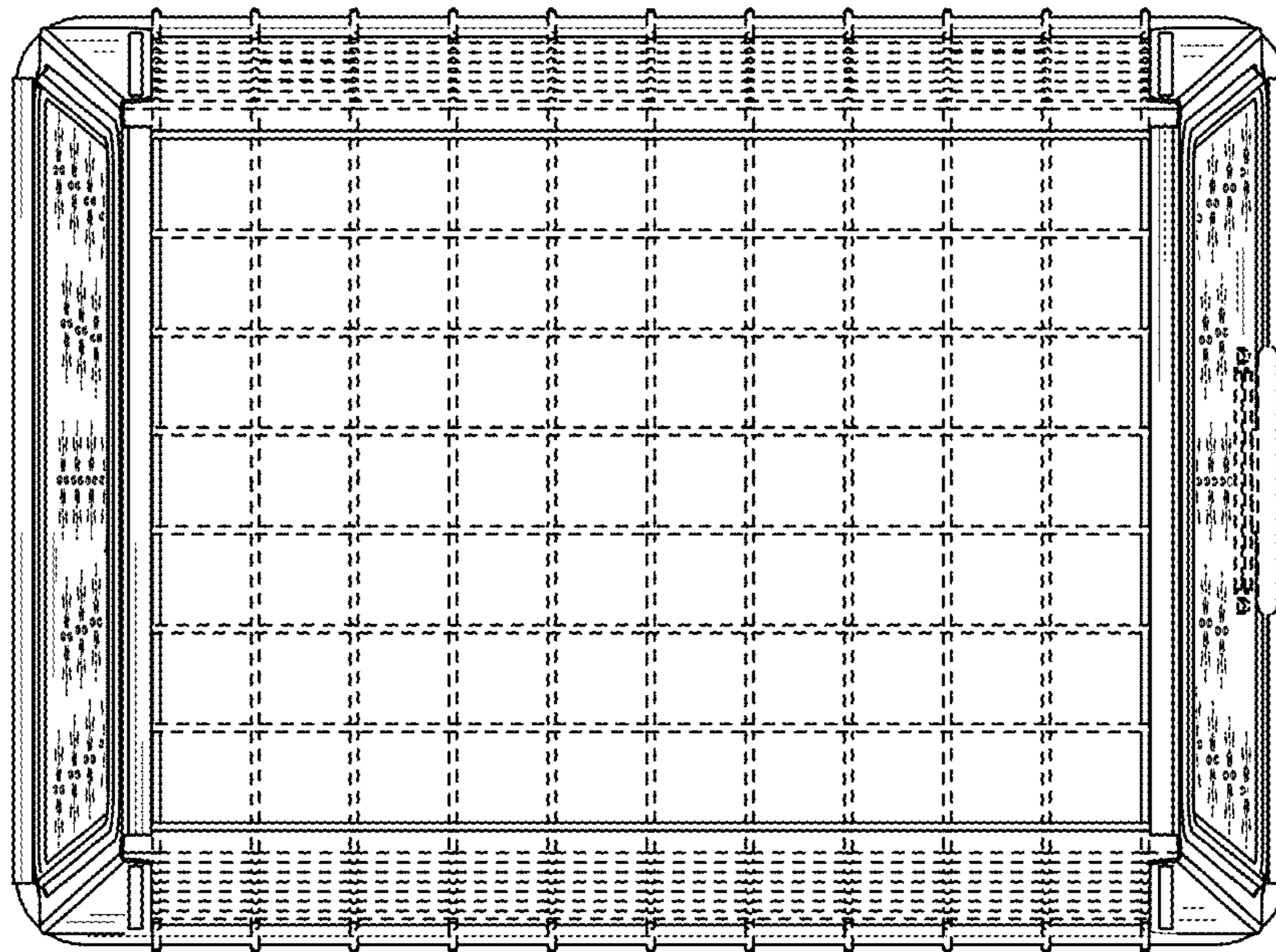


FIG. 7