



US00D799212S

(12) **United States Design Patent** (10) **Patent No.:** **US D799,212 S**
Huante (45) **Date of Patent:** **** Oct. 10, 2017**

(54) **MAGNETIC CARRYING CASE**
(71) Applicant: **Gabriel Huante**, Long Beach, CA (US)
(72) Inventor: **Gabriel Huante**, Long Beach, CA (US)
(**) Term: **15 Years**
(21) Appl. No.: **29/551,588**
(22) Filed: **Jan. 14, 2016**
(51) **LOC (10) Cl.** **03-01**
(52) **U.S. Cl.**
USPC **D3/303**
(58) **Field of Classification Search**
USPC D3/228, 224, 215, 221, 269, 299, 273,
D3/276, 289, 293, 290, 301, 303, 318,
D3/319; D9/702, 703, 705, 707, 709,
D9/710, 433, 901
CPC A47C 7/62; A47C 1/14
See application file for complete search history.

D713,143 S * 9/2014 Ashley D3/247
D716,048 S 10/2014 Bradfield
D730,052 S * 5/2015 Curran-Blaney D14/251
D772,567 S * 11/2016 Tappeiner D3/247
2003/0178460 A1 9/2003 Shattuck
2005/0205622 A1 9/2005 Liu
2006/0282989 A1 12/2006 Dietz
(Continued)

FOREIGN PATENT DOCUMENTS

CN 202819990 3/2013
Primary Examiner — Sandra Snapp
Assistant Examiner — Holly E Thurman
(74) *Attorney, Agent, or Firm* — Hankin Patent Law,
APC; Kevin Schraven; Anooj Patel

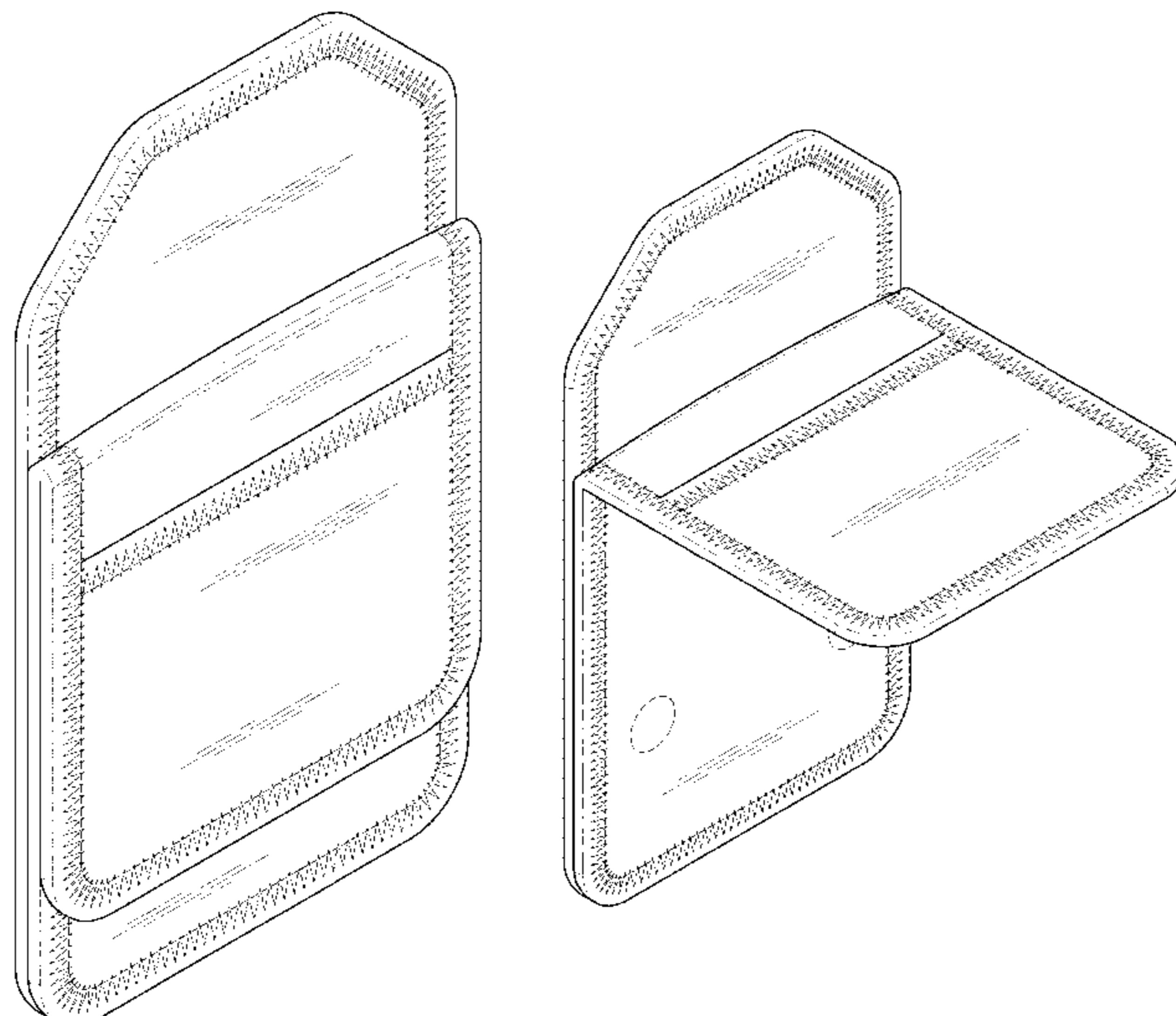
(57) **CLAIM**
The ornamental design for a magnetic carrying case, as shown and described.

DESCRIPTION

FIG. 1 is a top perspective view of a magnetic carrying case, showing my new design.
FIG. 2 is a top plan view thereof.
FIG. 3 is a bottom plan view thereof.
FIG. 4 is a RIGHT side elevational view thereof.
FIG. 5 is a LEFT side elevational view thereof.
FIG. 6 is a front elevational view thereof.
FIG. 7 is a rear elevational view thereof.
FIG. 8 is a top perspective view of the magnetic carrying case and shows the magnetic carrying case when the flap is unfolded; and,
FIG. 9 is a top perspective of the magnetic carrying case and shows the magnetic carrying case when the flap is halfway folded.
The broken lines are for the purpose of illustrating unclaimed subject matter and form no part of the claimed design.

(56) **References Cited**
U.S. PATENT DOCUMENTS
3,051,130 A 8/1962 Morris
3,741,376 A 6/1973 Brown et al.
3,854,639 A * 12/1974 Genchi B26B 29/00
224/234
D396,951 S * 8/1998 Huber D3/299
D438,008 S * 2/2001 Snider D3/299
6,684,544 B1 2/2004 Buettell
6,752,305 B2 6/2004 Shattuck
D522,750 S * 6/2006 Girod D3/303
7,270,255 B2 9/2007 Badillo et al.
7,808,392 B1 10/2010 Anklesaria
7,854,021 B2 12/2010 Compton et al.
D663,951 S * 7/2012 Flores D3/247
D694,013 S * 11/2013 Hyzdu D3/303
8,646,971 B2 2/2014 Doyle
D706,536 S * 6/2014 Nikosey D3/247
D706,537 S * 6/2014 Brandt D3/247
D707,967 S * 7/2014 Spallone D3/303
D712,140 S * 9/2014 Klusener D3/247

1 Claim, 7 Drawing Sheets



(56)

References Cited

U.S. PATENT DOCUMENTS

| | | | |
|--------------|----|---------|----------------|
| 2009/0014105 | A1 | 1/2009 | Shattuck |
| 2011/0056001 | A1 | 3/2011 | Missett et al. |
| 2011/0174846 | A1 | 7/2011 | Racaniello |
| 2012/0061431 | A1 | 3/2012 | Raines |
| 2012/0190413 | A1 | 7/2012 | Ojeda |
| 2014/0259298 | A1 | 9/2014 | Esagoff |
| 2014/0261541 | A1 | 9/2014 | Lawler |
| 2014/0312083 | A1 | 10/2014 | Scott |

* cited by examiner

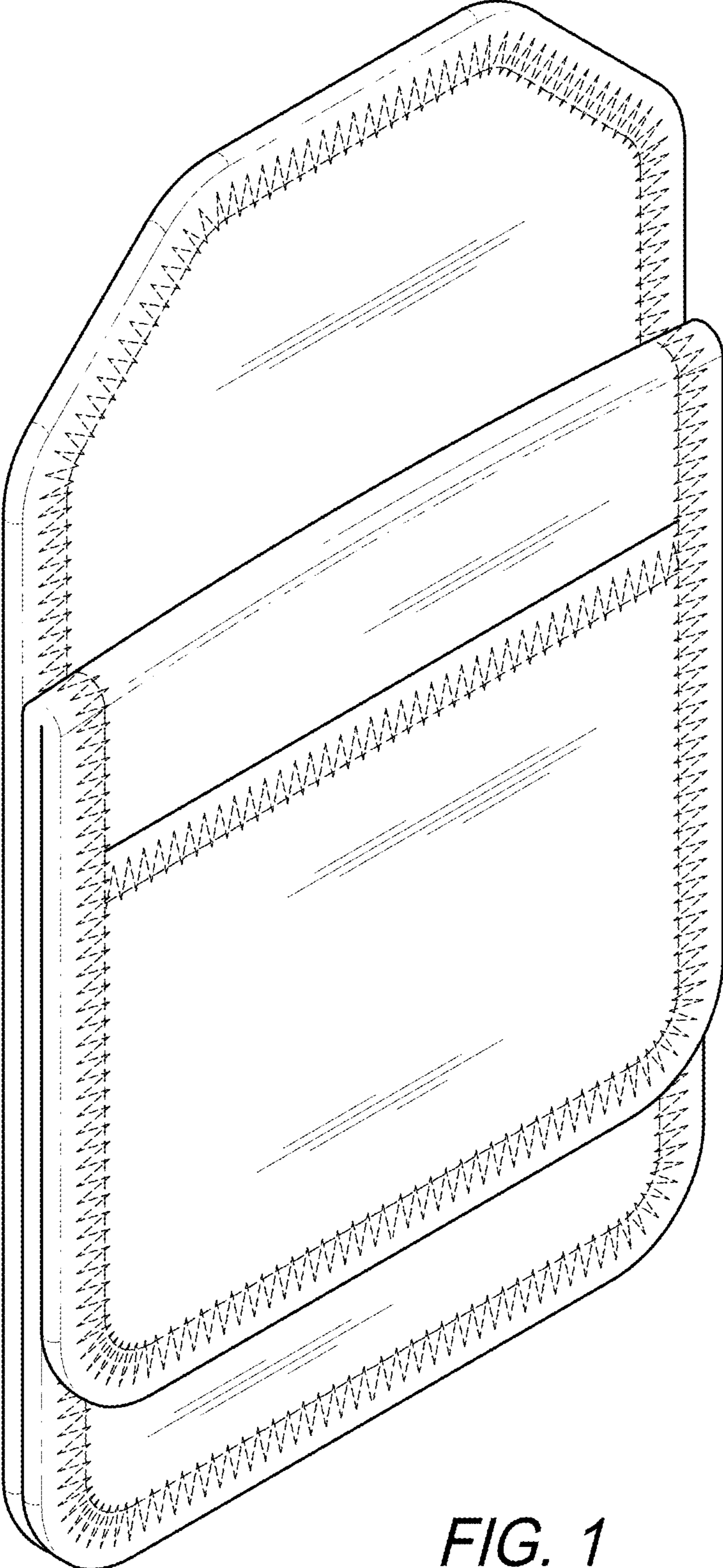


FIG. 1

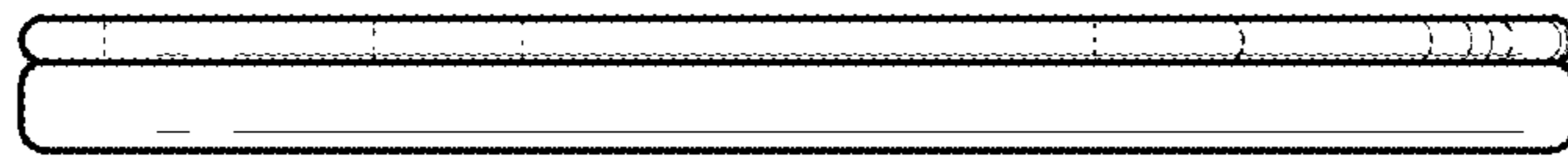


FIG. 2



FIG. 3



FIG. 4

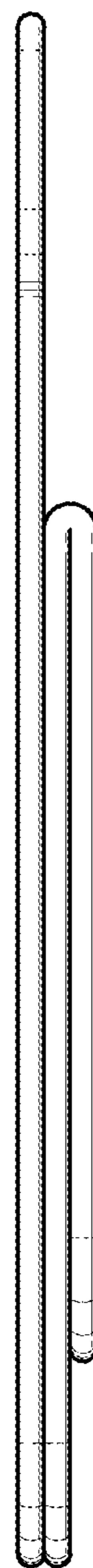


FIG. 5

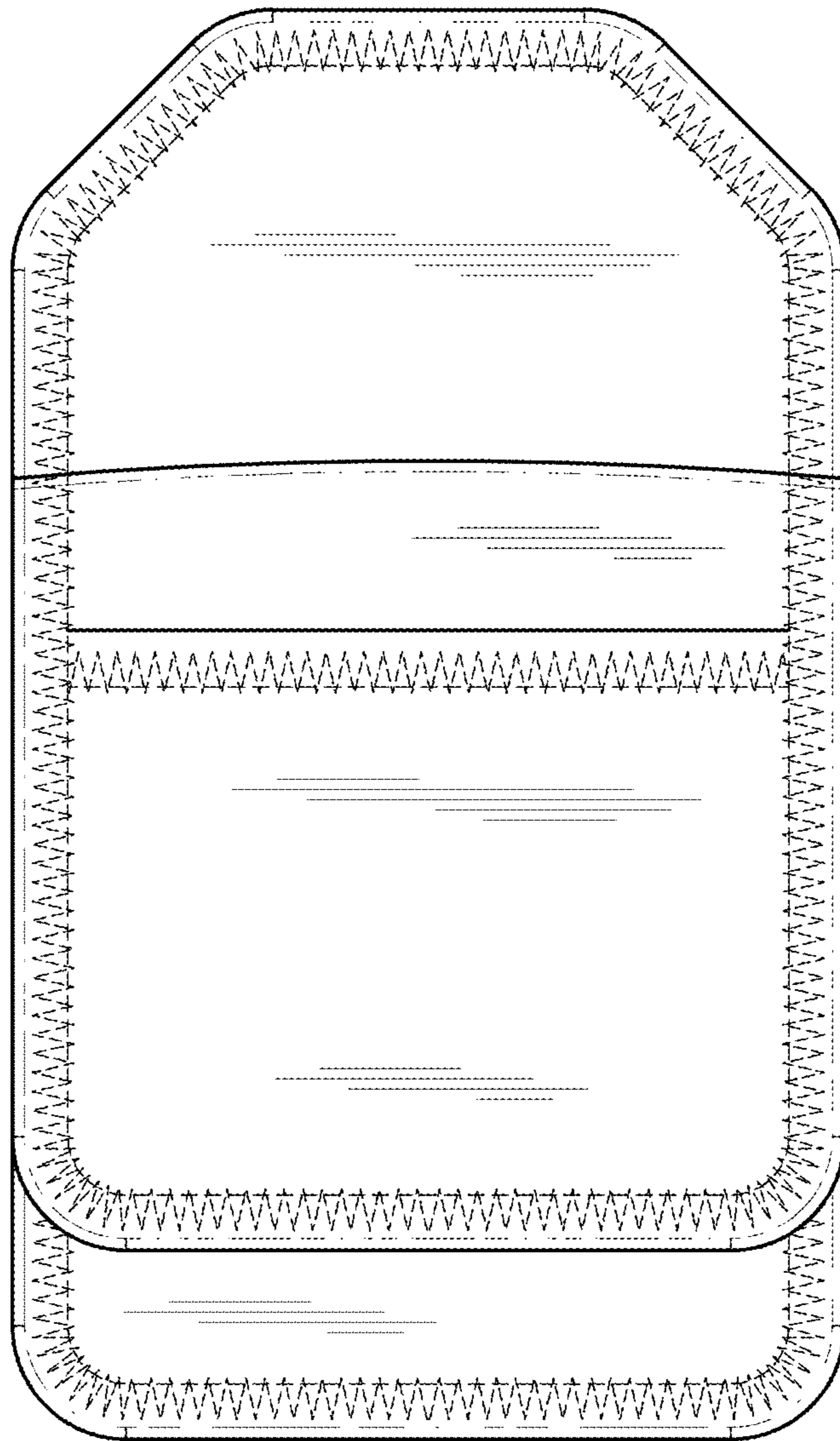


FIG. 6

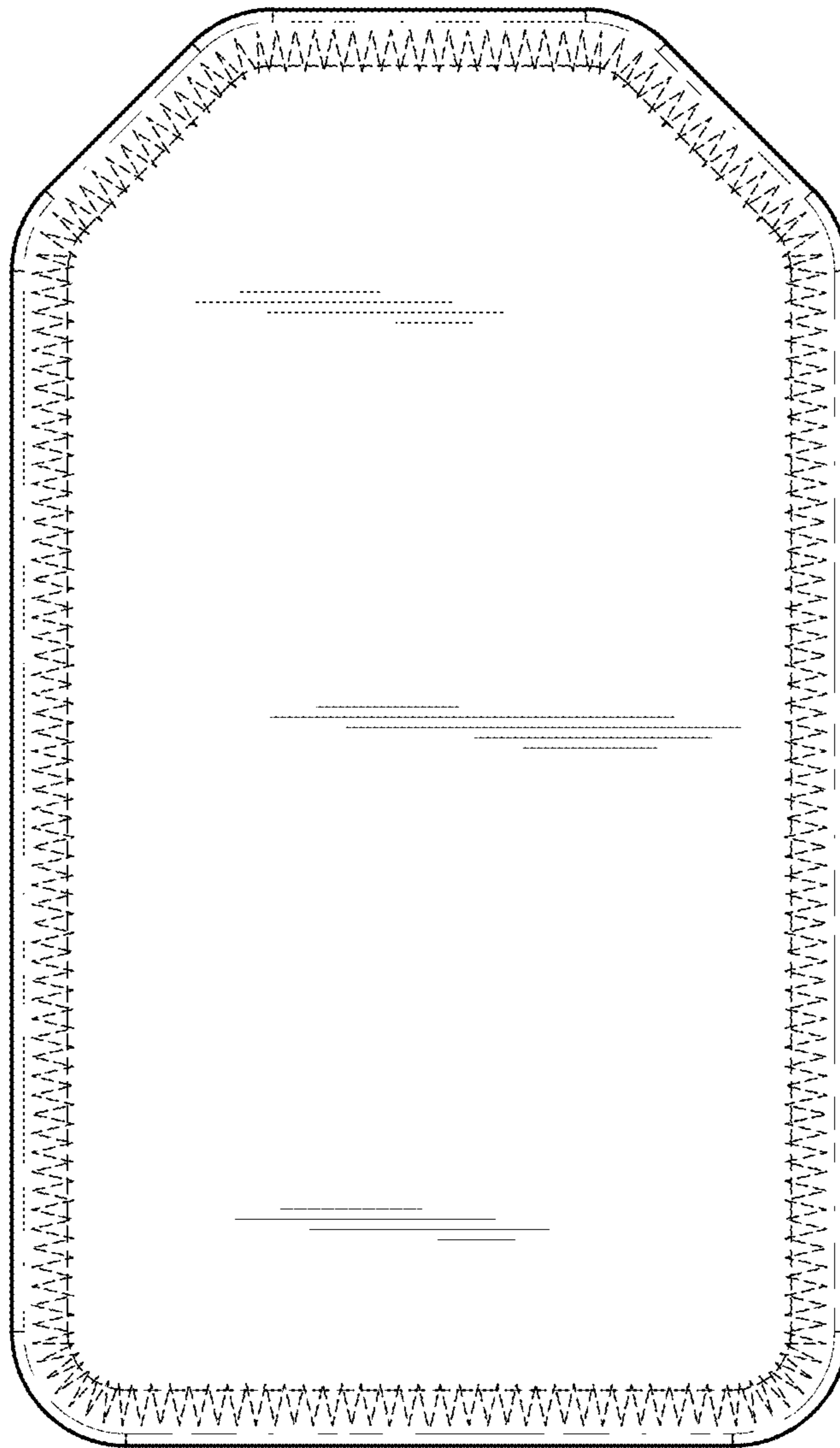


FIG. 7

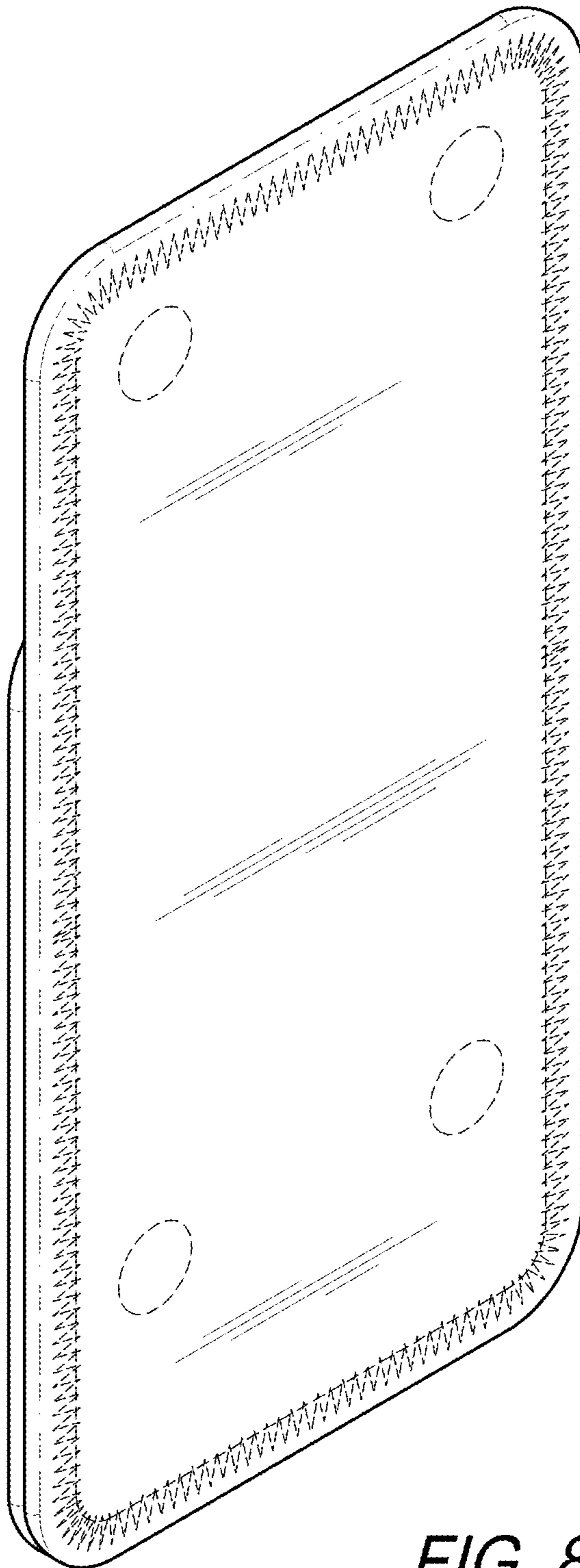


FIG. 8

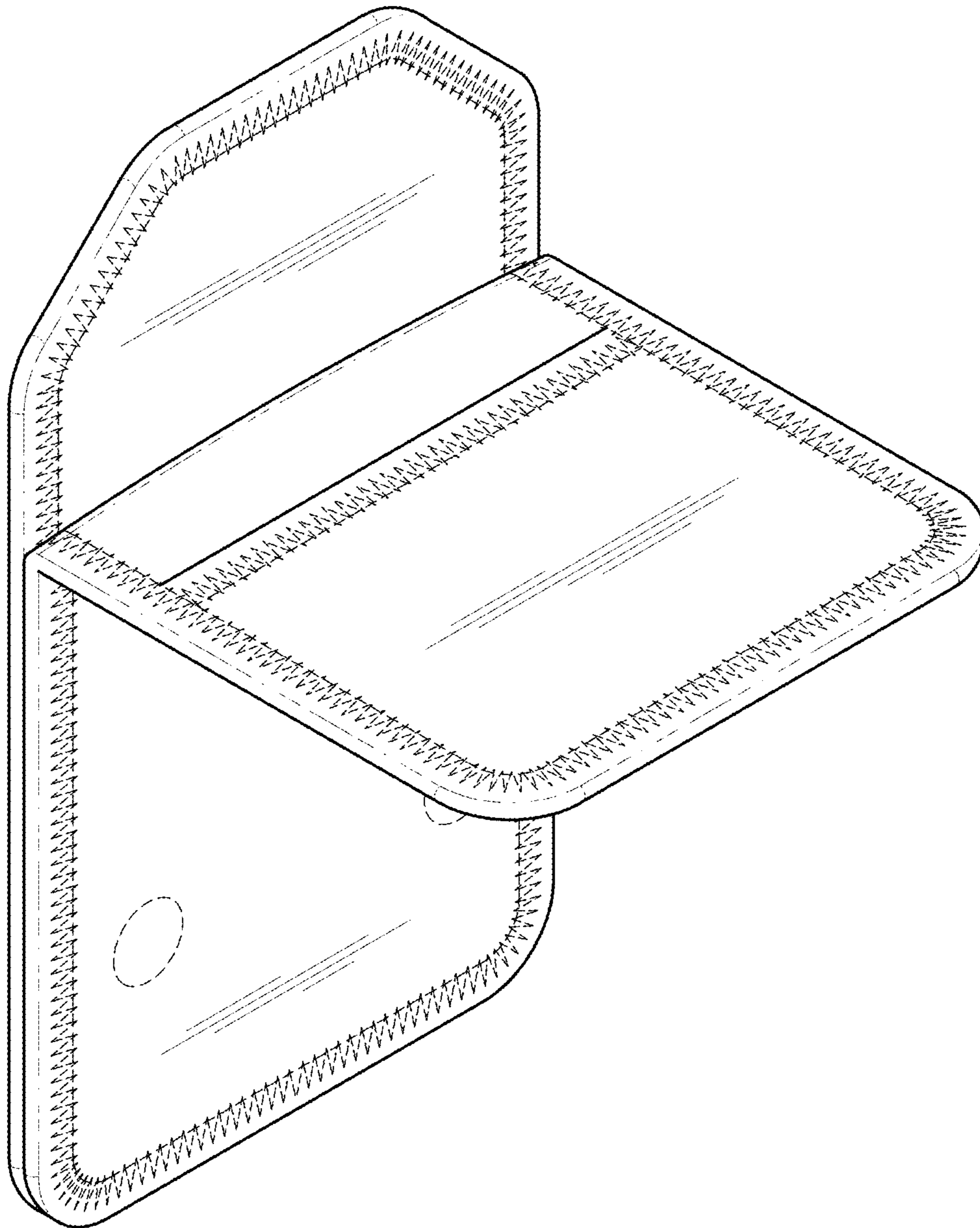


FIG. 9