



US00D799206S

(12) **United States Design Patent**
Smith

(10) **Patent No.:** **US D799,206 S**
(45) **Date of Patent:** **** Oct. 10, 2017**

- (54) **BAG**
- (71) Applicant: **Airpocket Pty Ltd.**, O'Connor (AU)
- (72) Inventor: **Patricia Smith**, O'Connor (AU)
- (73) Assignee: **AIRPOCKET PTY LTD**, O'Connor (AU)

- (**) Term: **15 Years**
- (21) Appl. No.: **29/553,383**
- (22) Filed: **Feb. 1, 2016**

(30) **Foreign Application Priority Data**

- Aug. 3, 2015 (AU) 363652
- (51) **LOC (10) Cl.** **03-01**
- (52) **U.S. Cl.**
USPC **D3/232**
- (58) **Field of Classification Search**
USPC D3/232-233, 240-243, 245-246
CPC A45C 3/06; A45C 1/024
See application file for complete search history.

(56) **References Cited**

U.S. PATENT DOCUMENTS

- 2,023,144 A * 12/1935 Miller A45C 3/08
150/105

D769,623 S * 10/2016 Dooney D3/318

* cited by examiner

Primary Examiner — Holly Baynham

(74) *Attorney, Agent, or Firm* — Kaplan Breyer Schwarz, LLP

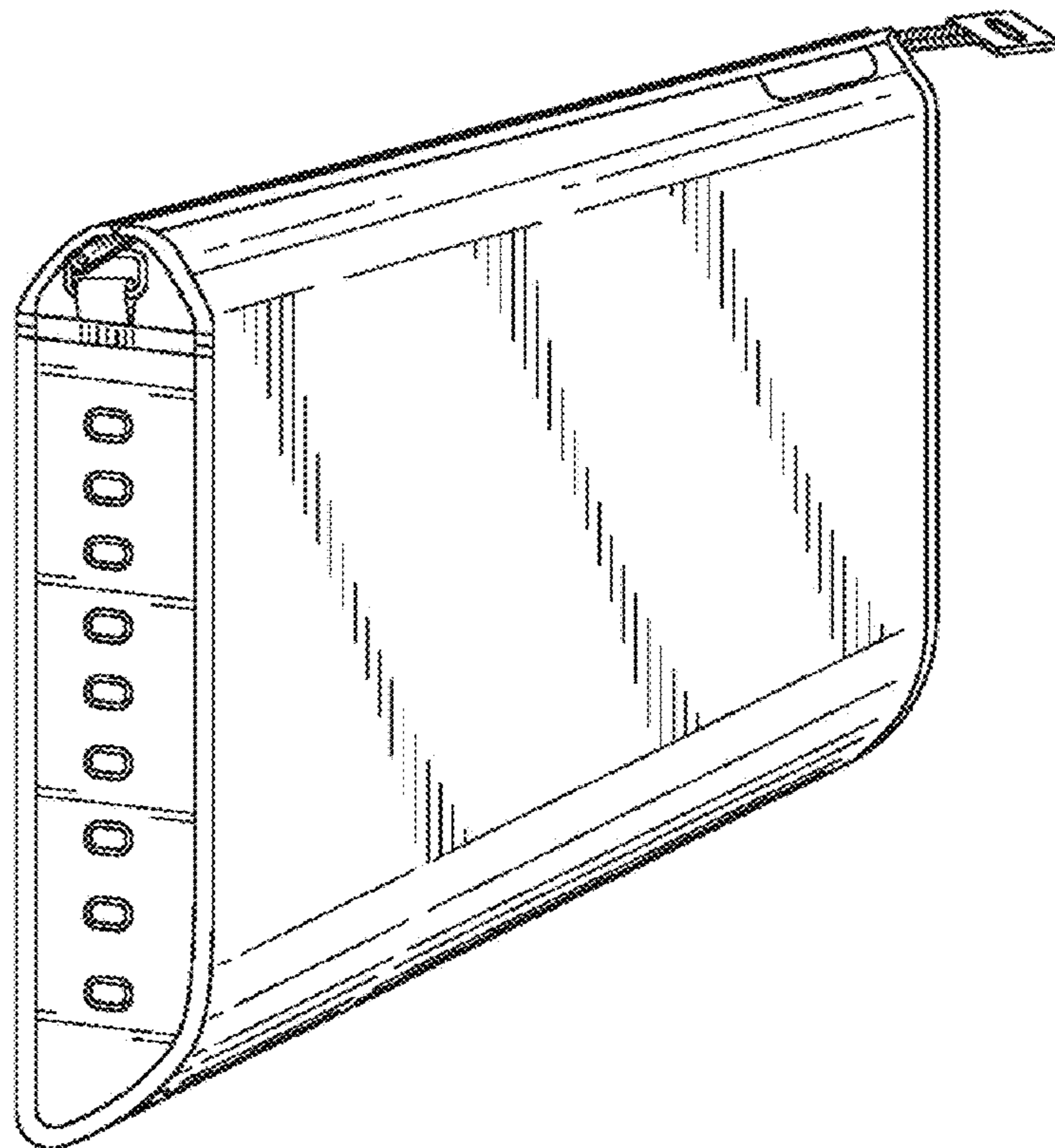
(57) **CLAIM**

I claim the ornamental design for a bag, as shown and described.

DESCRIPTION

FIG. 1 is a front perspective view of a bag, showing my new design;
 FIG. 2 is a back perspective view thereof;
 FIG. 3 is a top view thereof;
 FIG. 4 is a bottom view thereof;
 FIG. 5 is a front view thereof;
 FIG. 6 is a back view thereof;
 FIG. 7 is a left side view thereof;
 FIG. 8 is a right side view thereof;
 FIG. 9 is an enlarged, cross-sectional view cut along line 9-9 of FIG. 10 in an opened position; and,
 FIG. 10 is a top view in open configuration thereof.

1 Claim, 5 Drawing Sheets



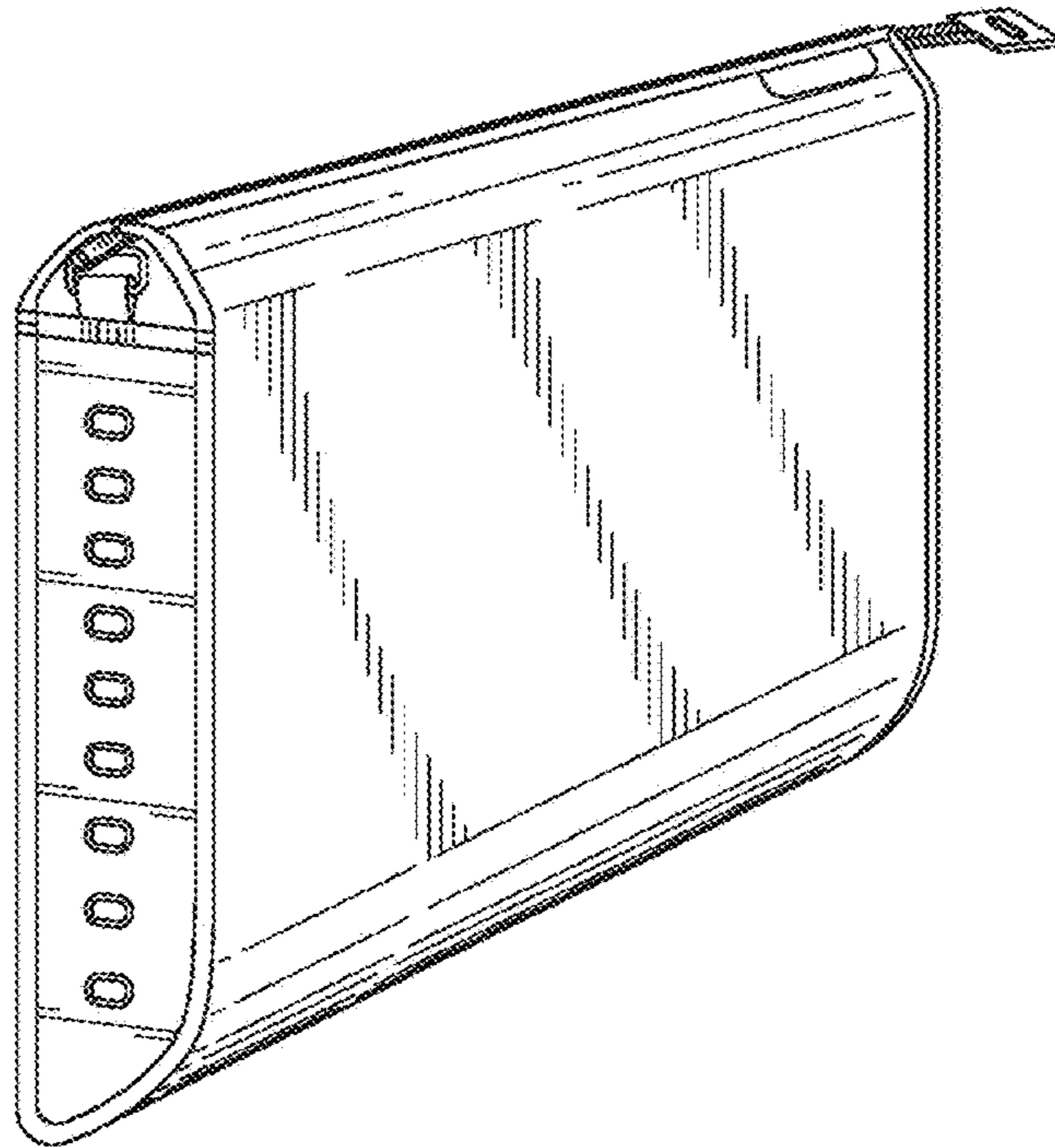


FIG. 1

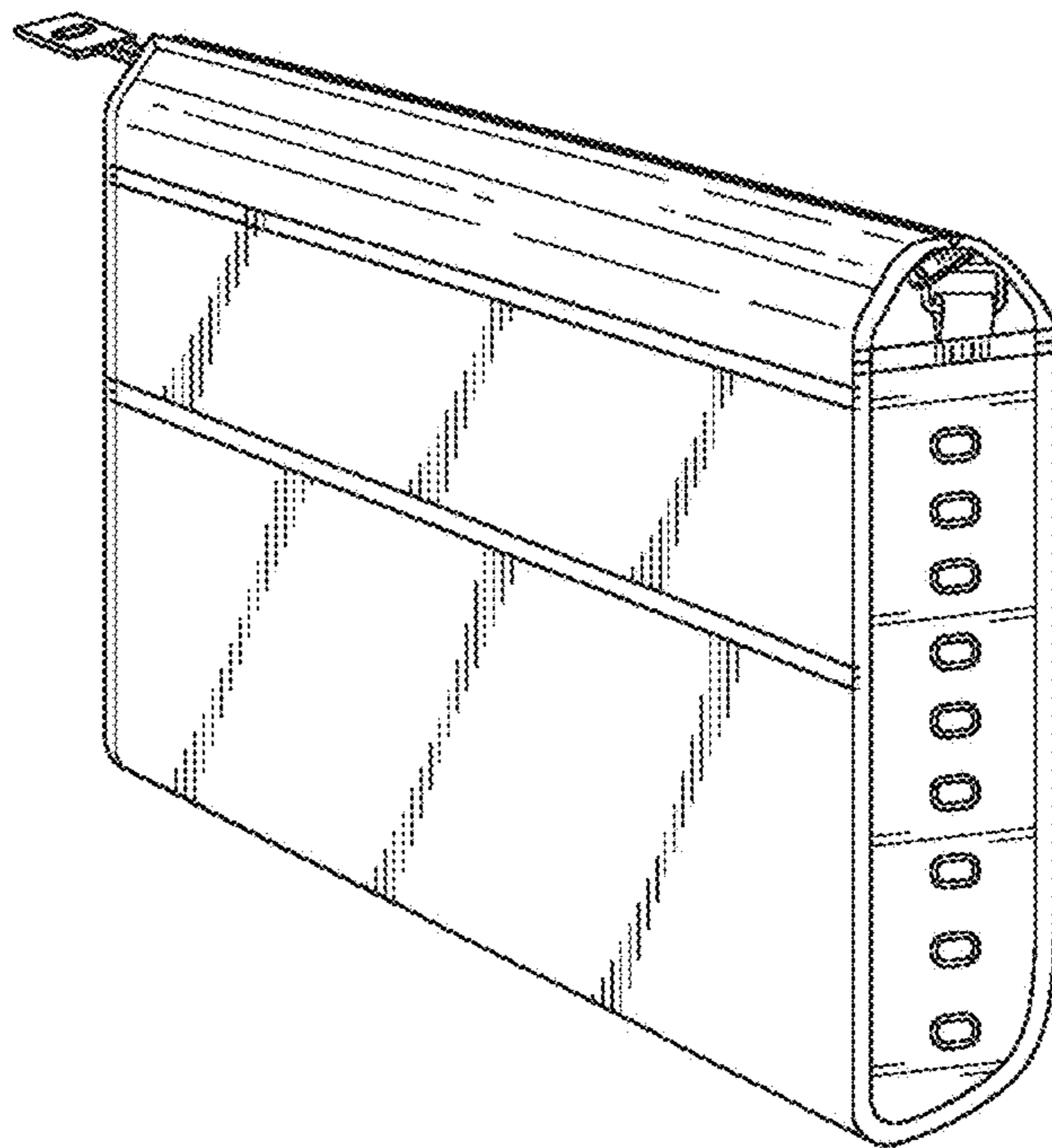


FIG. 2

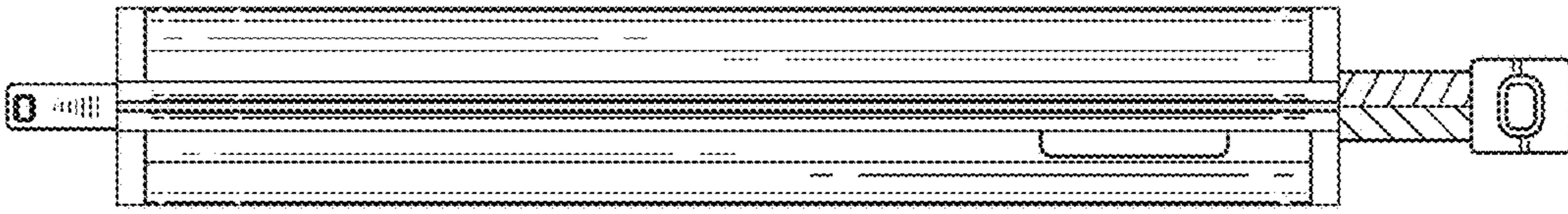


FIG. 3

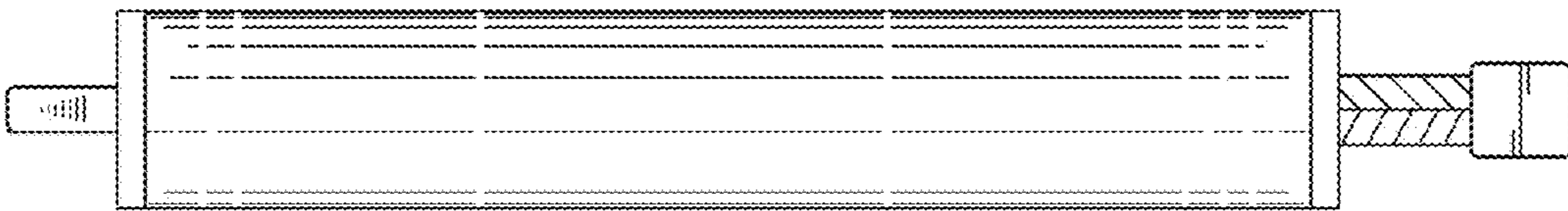


FIG. 4

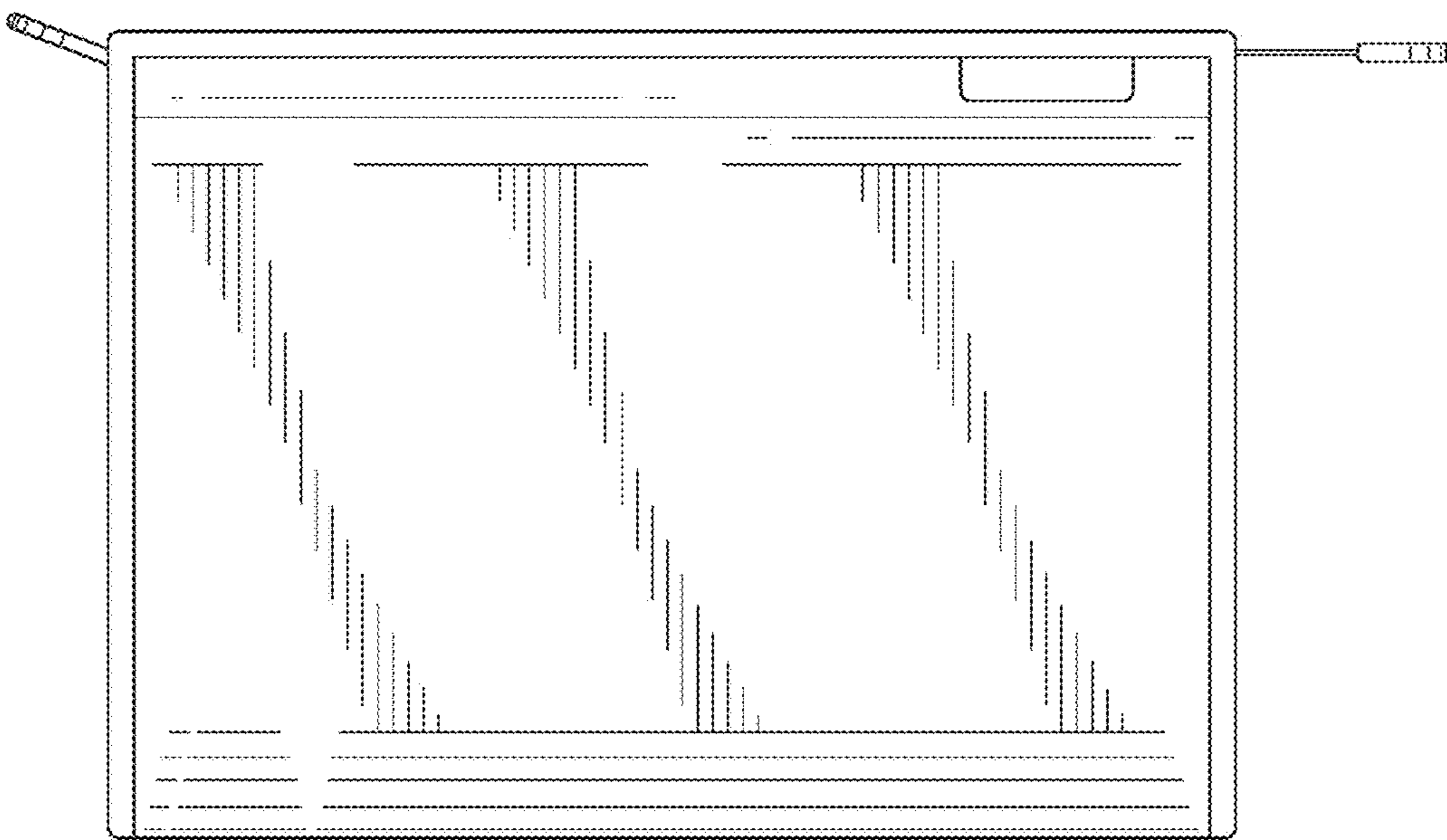


FIG. 5

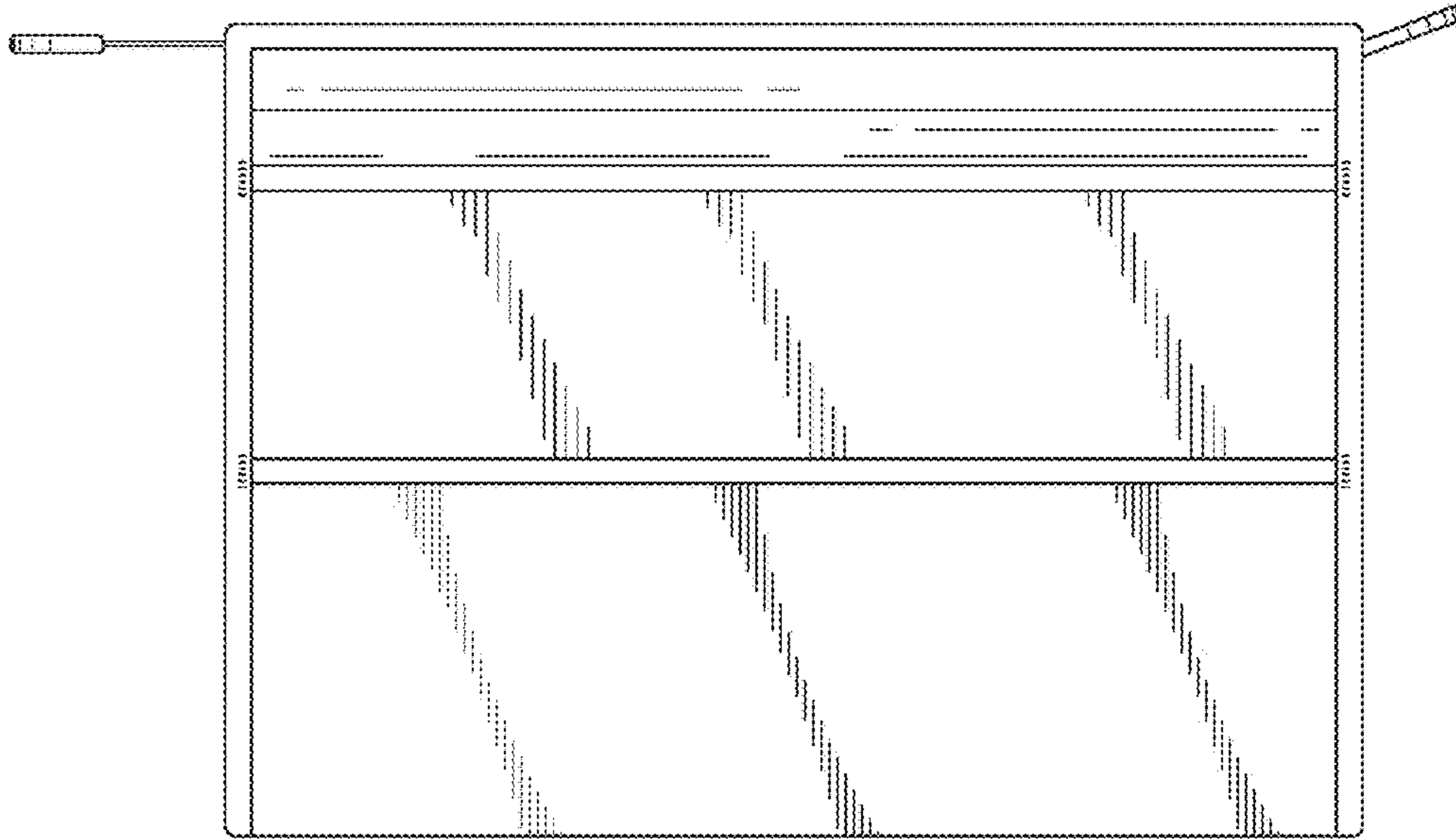


FIG. 6

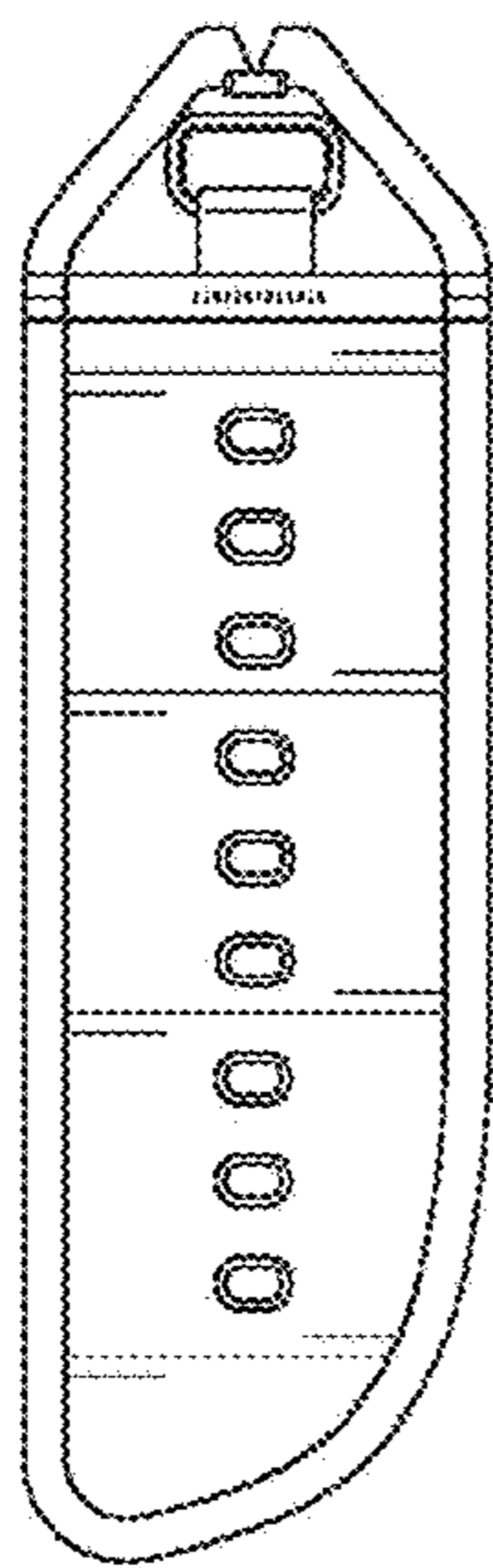


FIG. 7

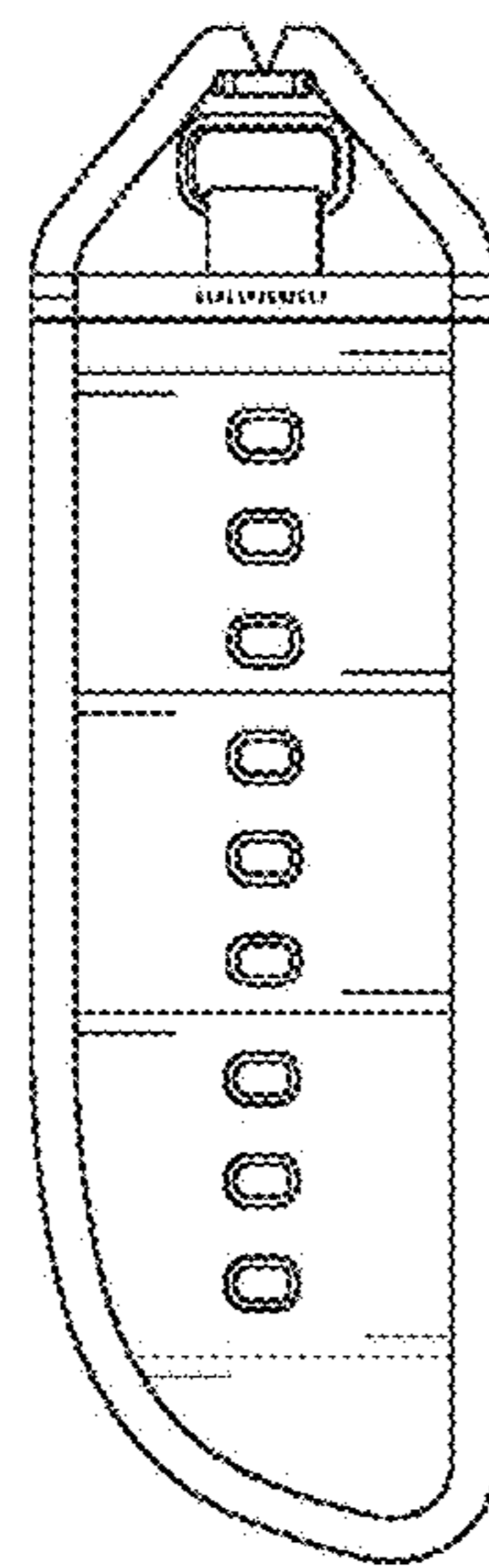


FIG. 8

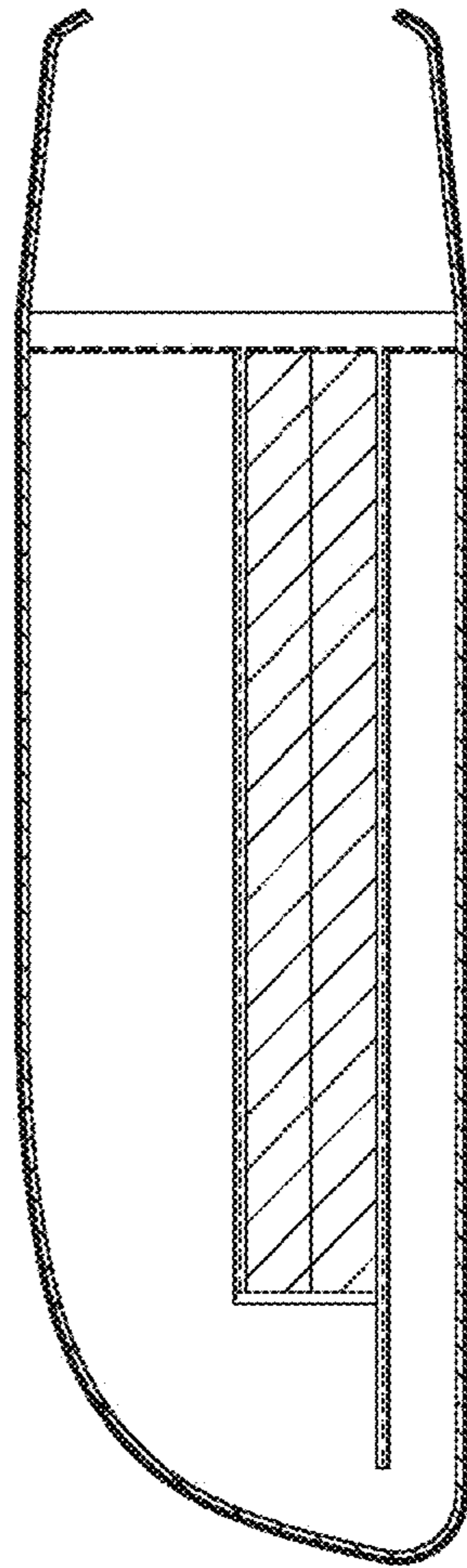


FIG. 9

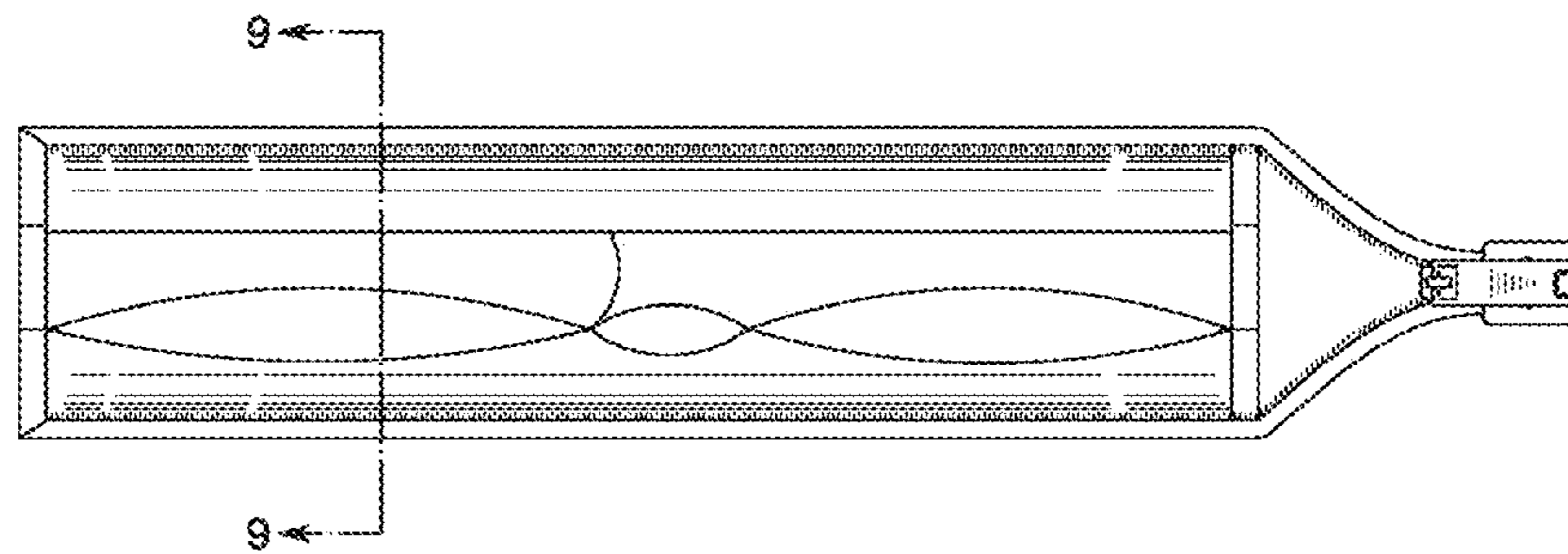


FIG. 10