



US00D799205S

(12) **United States Design Patent** (10) **Patent No.:** **US D799,205 S**
Munson (45) **Date of Patent:** **** Oct. 10, 2017**

- (54) **CARRY CASE**
- (71) Applicant: **Saddleback Leather Company, LLC**,
San Antonio, TX (US)
- (72) Inventor: **David C. Munson**, San Antonio, TX
(US)
- (73) Assignee: **Saddleback Leather Company, LLC**,
San Antonio, TX (US)
- (**) Term: **15 Years**
- (21) Appl. No.: **29/543,092**
- (22) Filed: **Oct. 21, 2015**
- (51) **LOC (10) Cl.** **03-01**
- (52) **U.S. Cl.**
USPC **D3/229**
- (58) **Field of Classification Search**
USPC D3/201, 272, 273, 276, 283–286, 302,
D3/304–315, 318–319, 202, 229, 255;
D9/414, 424, 425, 427, 432, 456, 457,
D9/755, 756; 220/1.5, 6, 4.29, 676;
206/503, 203, 512; 224/148.6, 148.7;
D21/385, 392, 393, 394, 348, 349
CPC B65D 1/34; B65D 21/00; B65D 21/0204;
B65D 9/12; B65D 21/0209; B65D
21/0216; A45C 7/0022; A45C 11/00;
A45C 11/20; A45F 5/00; A45F 2005/006;
A63B 47/001; A63B 55/00
See application file for complete search history.

- D272,774 S * 2/1984 Weissenburger D3/229
- D343,293 S * 1/1994 Montgomery D3/229
- D350,024 S * 8/1994 Ryker D3/202
- 5,335,809 A * 8/1994 Toida A47J 41/0011
220/23.88

(Continued)

OTHER PUBLICATIONS

Brown Leather Scroll Case / Holster / Tube—Chaos, posted at etsy.com, posting date not given, © 2017 Etsy, Inc., [online], [site visited Mar. 8, 2017. Available from Internet, <https://www.etsy.com/listing/122033493/brown-leather-scroll-case-holster-tube?ref=v1_other_1>.*

(Continued)

Primary Examiner — Anhdao Doan
Assistant Examiner — Mary Malley
(74) *Attorney, Agent, or Firm* — Alston & Bird LLP

(57) **CLAIM**

The ornamental design for a carry case, as shown and described.

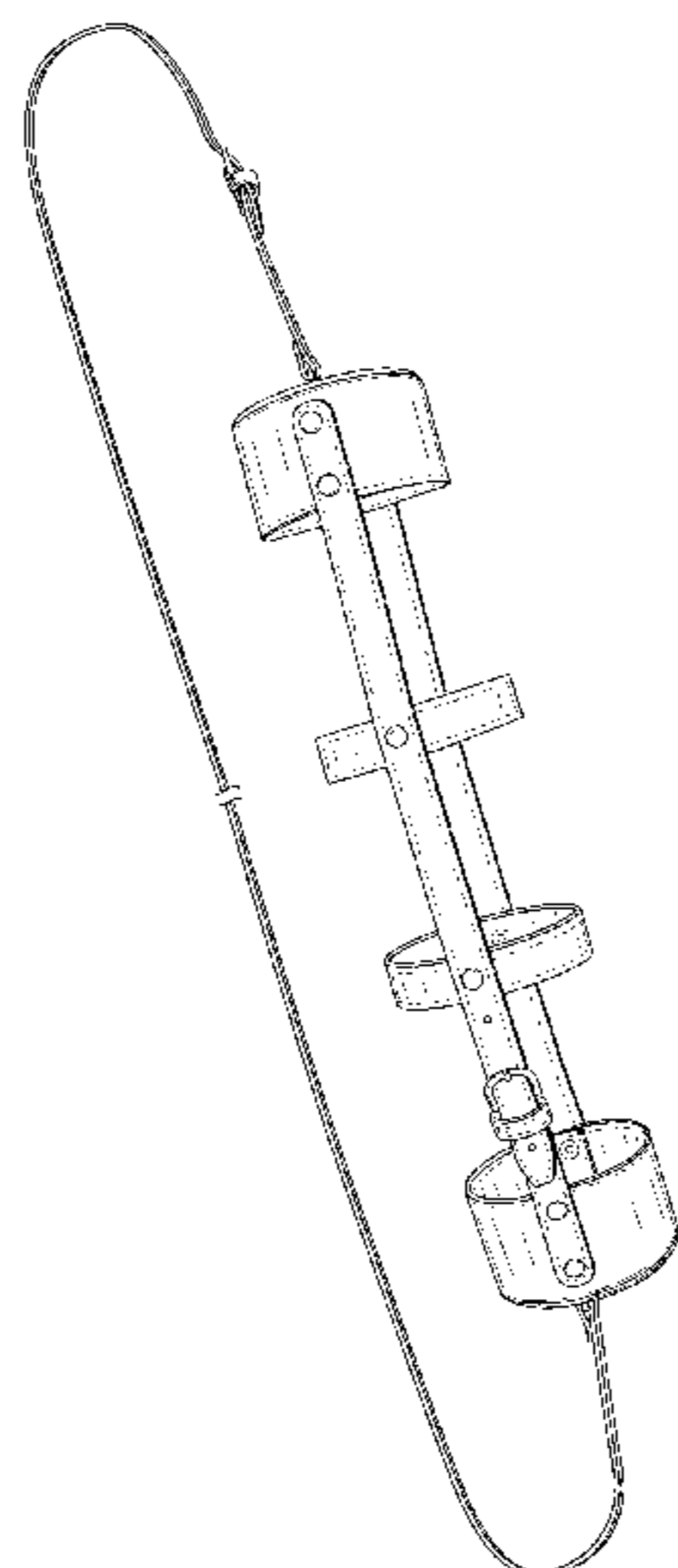
DESCRIPTION

FIG. 1 is a perspective view of a carry case according to our new design;
FIG. 2 is a front elevation view thereof;
FIG. 3 is a back elevation view thereof;
FIG. 4 is a right side elevation view thereof;
FIG. 5 is a left side elevation view thereof;
FIG. 6 is a top plan view thereof; and,
FIG. 7 is a bottom plan view thereof.
The dash-dash-break broken lines visible in FIGS. 1-7 are representative of stitching of the carry case for illustrative purposes only and form no part of the claimed design. The strap of the carry case is shown with a symbolic break in its length. The appearance of any portion of the article between the break lines forms no part of the claimed design.

1 Claim, 6 Drawing Sheets

(56) **References Cited**
U.S. PATENT DOCUMENTS

- 1,208,728 A * 12/1916 Bartlett et al. A45F 5/00
224/148.5
- D57,526 S * 4/1921 Hunt D3/255
- D59,662 S * 11/1921 Lauzon 224/148.6
- 1,726,245 A * 8/1929 Shelton A63B 55/00
206/315.4
- 4,088,251 A * 5/1978 Rodriguez A63B 47/001
206/315.9



(56)

References Cited

U.S. PATENT DOCUMENTS

5,407,110 A * 4/1995 Marsh, Jr. A45F 5/00
224/148.6
D381,805 S * 8/1997 Case D3/229
D478,726 S * 8/2003 Masso D3/260
D650,586 S * 12/2011 Hutcheson D3/316

OTHER PUBLICATIONS

Leather Fly Fishing Tube, posted at custommade.com, posting date not given, © 2015 CustomMade, Inc., [online], [site visited Mar. 8, 2017]. Available from Internet, <<https://www.custommade.com/leather-fly-fishing-tube/by/undeberg/>>.*

Rodtube and Hardy Perfect. | Outstanding fly fishing gear | Pinterest.com posting date not given, [online], [site visited Mar. 8, 2017]. Available from Internet, <<https://www.pinterest.com/pin/17451517282976549/>>.*

Leather Tournament Chess and Checkers Set, posted at saddlebackleather.com, available Aug. 21, 2016, © 2015 Saddleback Leather Company, [online], [site visited May 24, 2017]. Available from Internet, <URL:<http://www.saddlebackleather.com/leather-chess-and-checkers-set/>>.*

* cited by examiner

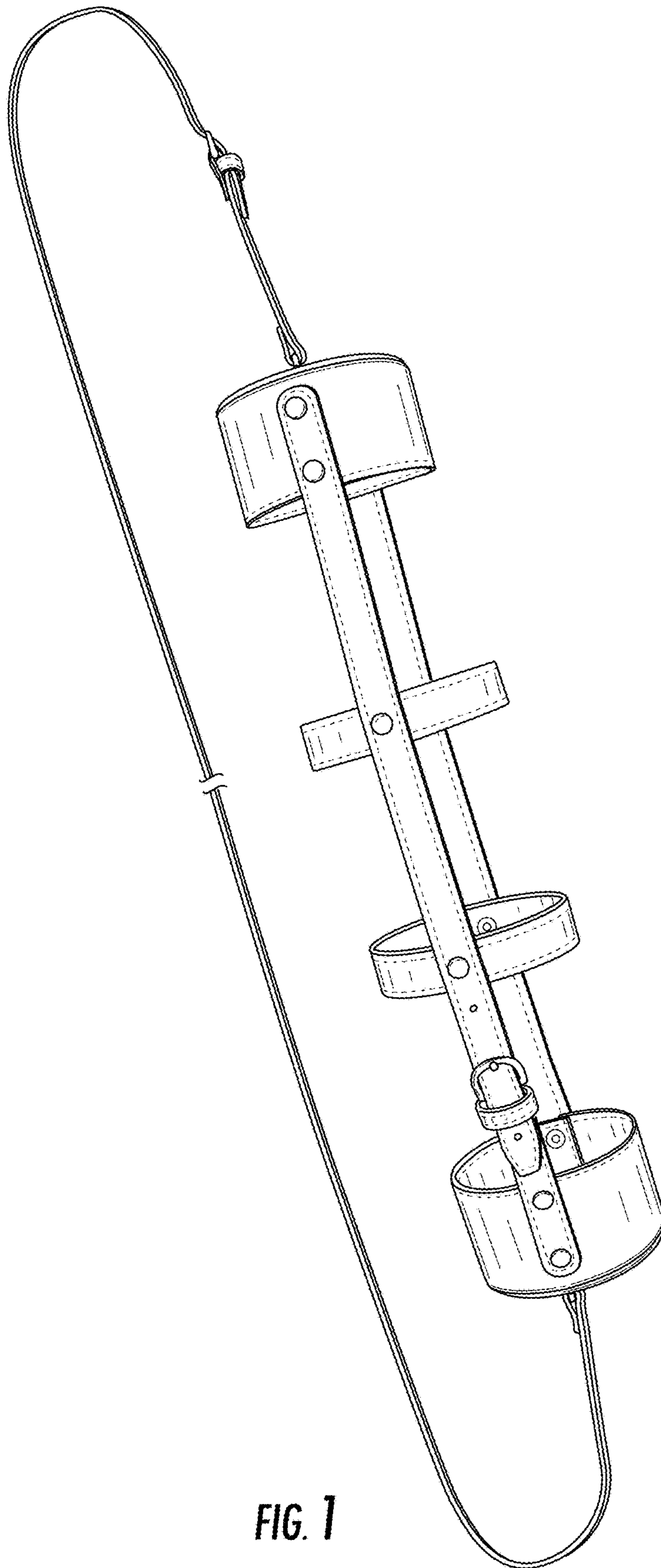


FIG. 1

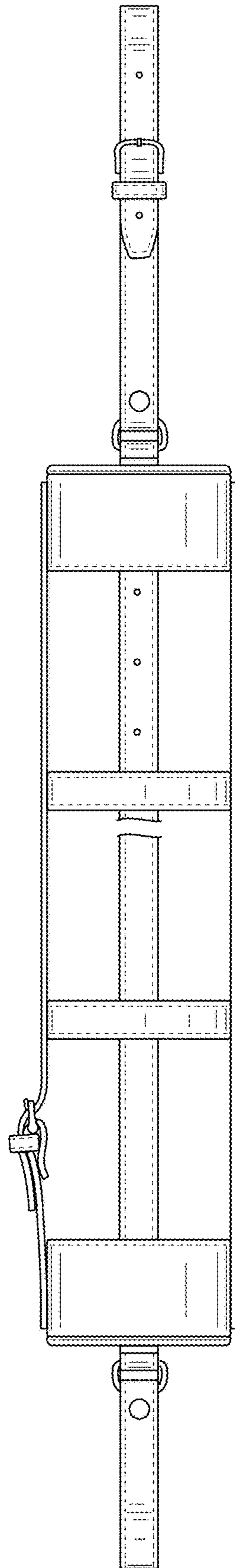


FIG. 2

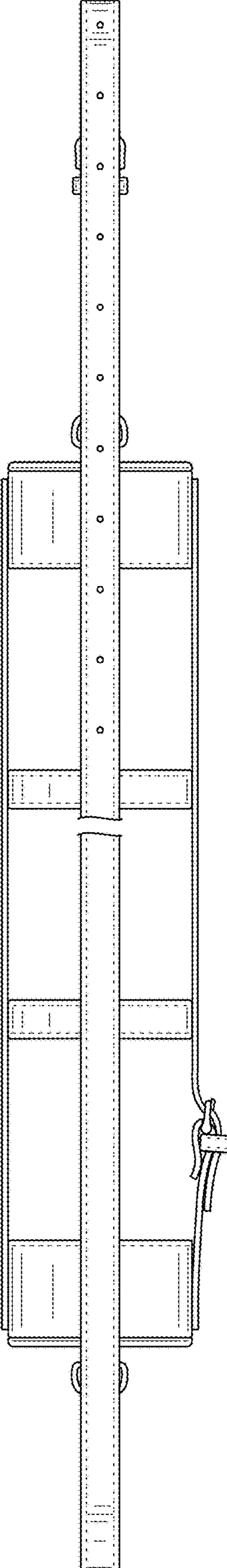


FIG. 3

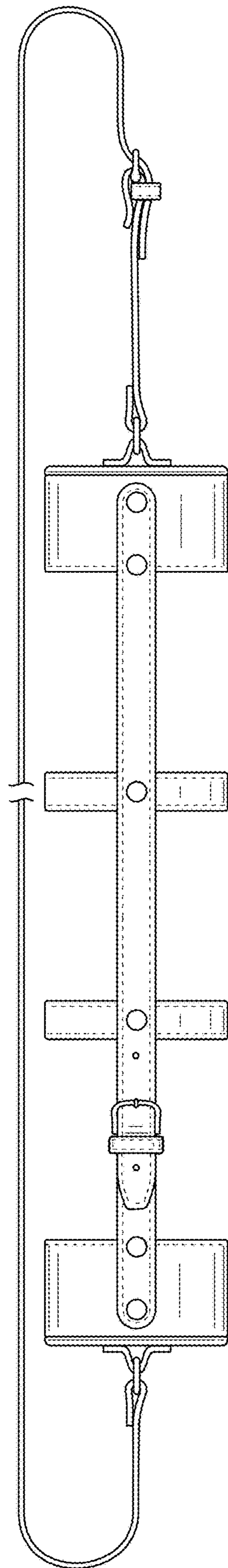


FIG. 4

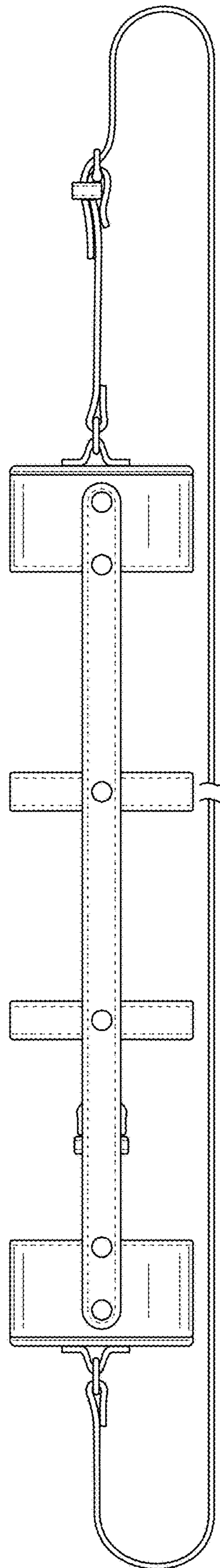


FIG. 5

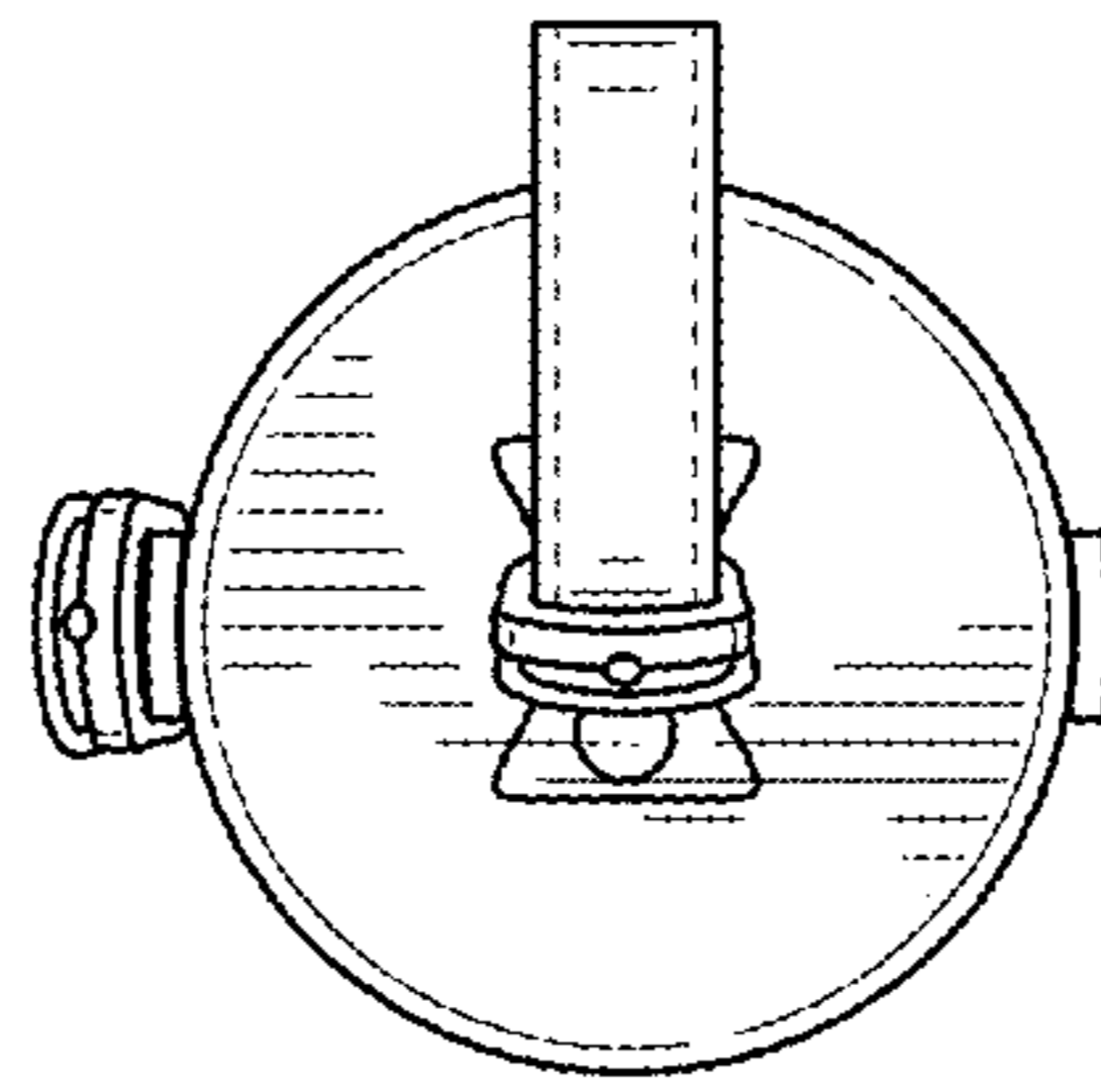


FIG. 6

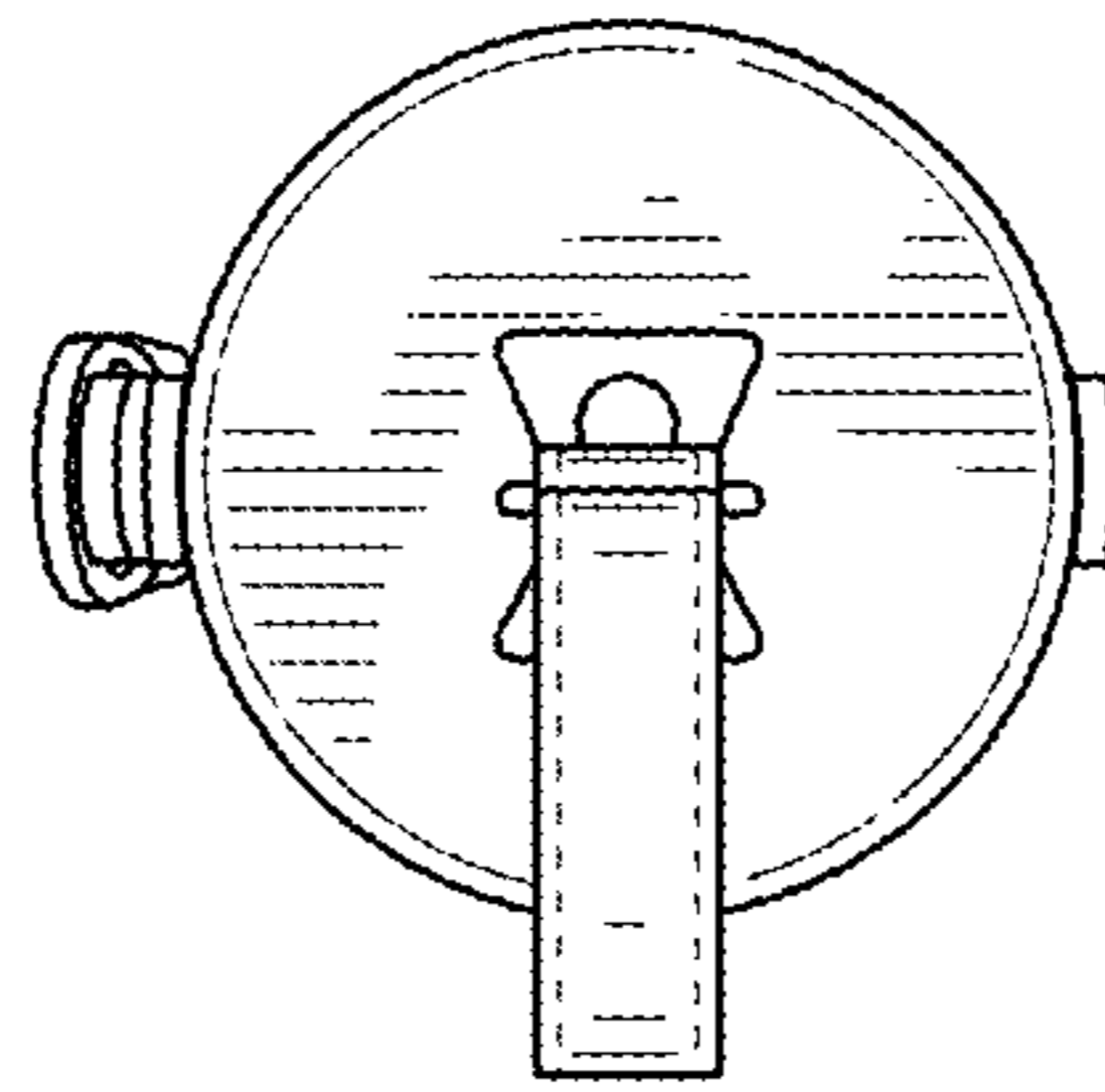


FIG. 7