



US00D799203S

(12) **United States Design Patent**  
**Karl, IV et al.**

(10) **Patent No.:** **US D799,203 S**  
(45) **Date of Patent:** **\*\* Oct. 10, 2017**

(54) **MOBILE PHONE CARRIER**

7/022; B62J 11/00; H05K 7/00; G03B  
17/56

(71) Applicant: **SHOCK DOCTOR, INC.**, Minnetonka,  
MN (US)

See application file for complete search history.

(72) Inventors: **Adam Peter Karl, IV**, Burlington, VT  
(US); **Benjamin Casey Lanza**,  
Sheldon, VT (US)

(56) **References Cited**

U.S. PATENT DOCUMENTS

(73) Assignee: **Shock Doctor, Inc.**, Minnetonka, MN  
(US)

D529,905 S *	10/2006	Richter	.....	D14/253
D530,713 S *	10/2006	Richter	.....	D14/253
D685,379 S *	7/2013	Richter	.....	D14/253
D690,707 S *	10/2013	Minn	.....	D14/447
D696,241 S *	12/2013	Paugh	.....	D14/253
D707,672 S *	6/2014	Lai	.....	D14/253
D708,603 S *	7/2014	Kim	.....	D14/253
D762,971 S *	8/2016	Gronewoller	.....	D3/218
D765,393 S *	9/2016	Kim	.....	D14/253
D765,651 S *	9/2016	Liu	.....	D14/253
D768,125 S *	10/2016	Kim	.....	D14/253
D770,171 S *	11/2016	Lai	.....	D14/253

(\*\*) Term: **15 Years**

(Continued)

(21) Appl. No.: **29/538,907**

*Primary Examiner* — Janice Hallmark

(22) Filed: **Sep. 9, 2015**

(74) *Attorney, Agent, or Firm* — Faegre Baker Daniels  
LLC

(51) **LOC (10) Cl.** ..... **03-01**

(52) **U.S. Cl.**  
USPC ..... **D3/218**; D14/253

(57) **CLAIM**

(58) **Field of Classification Search**

We claim the ornamental design for a mobile telephone  
carrier, as shown and described.

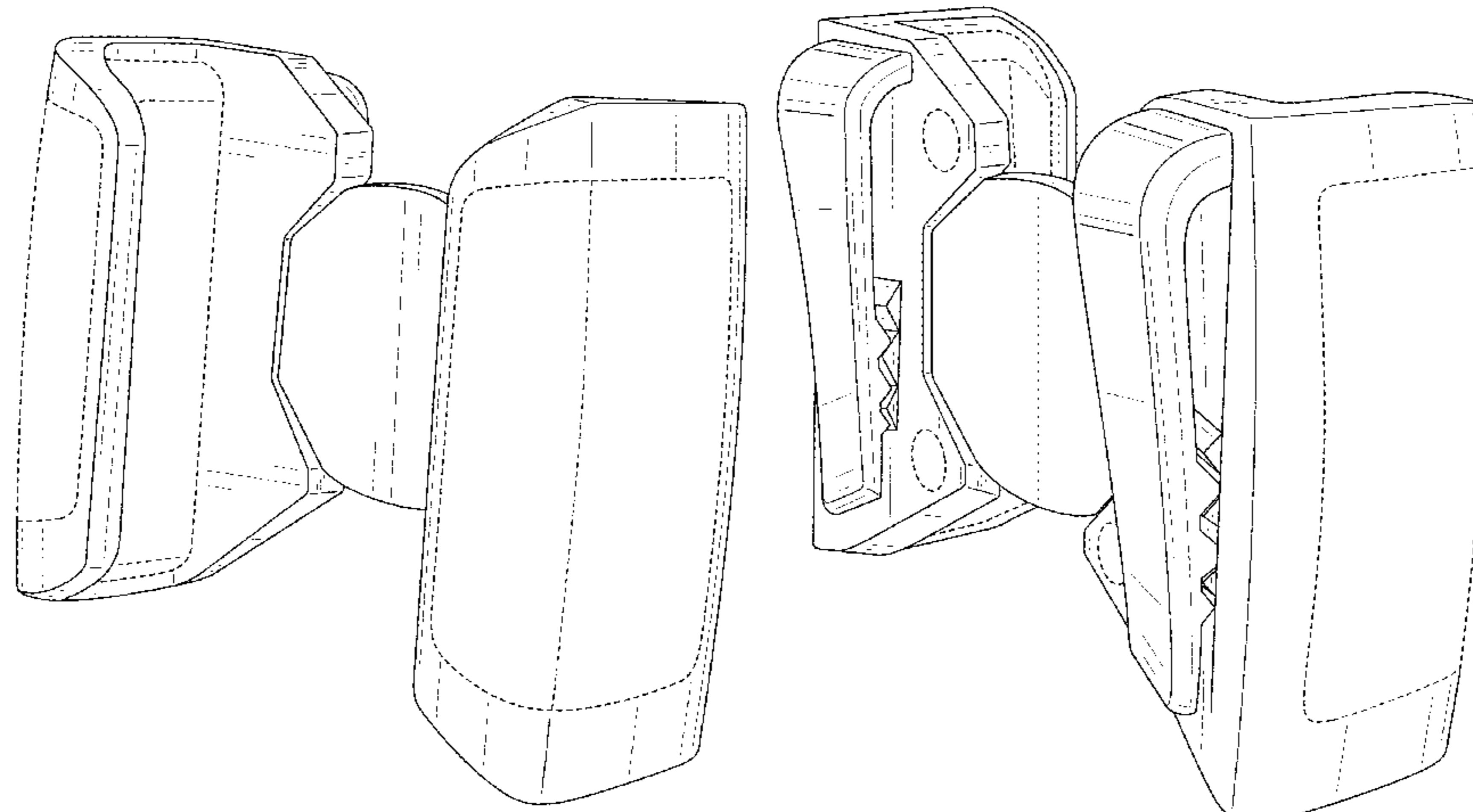
USPC ..... D14/253, 251, 252, 447, 451, 452, 440,  
D14/434, 458, 432, 439, 457, 460, 238.1,  
D14/140, 142, 149, 217, 148, 140.8,  
D14/140.11, 209.1, 151, 140.9, 250, 238;  
D13/107, 108; D12/415, 223, 114, 420,  
D12/417, 407, 177; D3/218;  
D16/242–245, 250, 237, 203, 214, 219;  
D8/349; D6/675, 672, 673, 675.4, 553,  
D6/676, 310, 406.3, 406.4, 406.5, 406.6,  
D6/407, 567, 300, 682.3; 248/459, 460;  
224/483

**DESCRIPTION**

CPC ..... B60R 2011/0008; B60R 11/02; B60R  
11/0241; B60R 11/0258; B60R 11/0252;  
B60R 2011/0294; F16M 11/00; F16M  
11/04; F16M 11/041; F16M 11/02; F16M  
11/06; F16M 13/00; H04M 1/02; H04M  
1/04; H04M 1/11; H04M 1/12; A47F

FIG. 1 is a front isometric view of our design of a mobile  
telephone carrier according to our invention;  
FIG. 2 is a rear isometric view of the mobile phone carrier  
shown in FIG. 1;  
FIG. 3 is a front view of the mobile telephone carrier shown  
in FIG. 1;  
FIG. 4 is a rear view of the mobile telephone carrier shown  
in FIG. 1;  
FIG. 5 is a right side view of the mobile telephone carrier  
shown in FIG. 1, the left side view being a mirror image;  
FIG. 6 is a top view of the mobile telephone carrier shown  
in FIG. 1; and,  
FIG. 7 is a bottom view of the mobile telephone carrier  
shown in FIG. 1.

(Continued)



The broken lines depict parts of the mobile phone carrier that form no part of the claimed design.

**1 Claim, 7 Drawing Sheets**

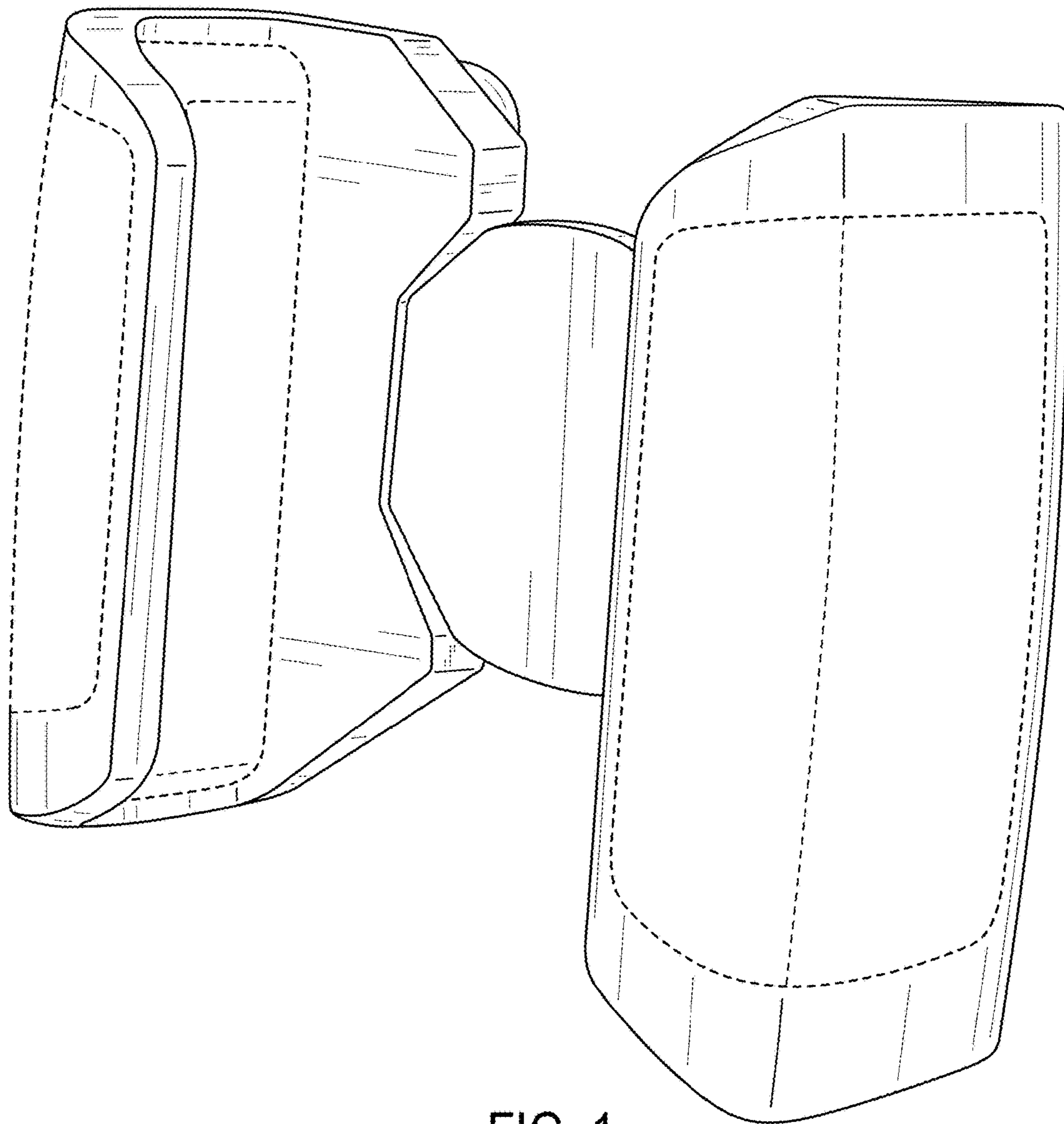
(56)

**References Cited**

U.S. PATENT DOCUMENTS

D772,859 S *	11/2016	Alesi .....	D14/253
D777,422 S *	1/2017	Karl, IV .....	D3/218
2005/0236536 A1 *	10/2005	Fan .....	B60R 11/02 248/176.3
2014/0138419 A1 *	5/2014	Minn .....	B60R 11/0241 224/567

\* cited by examiner



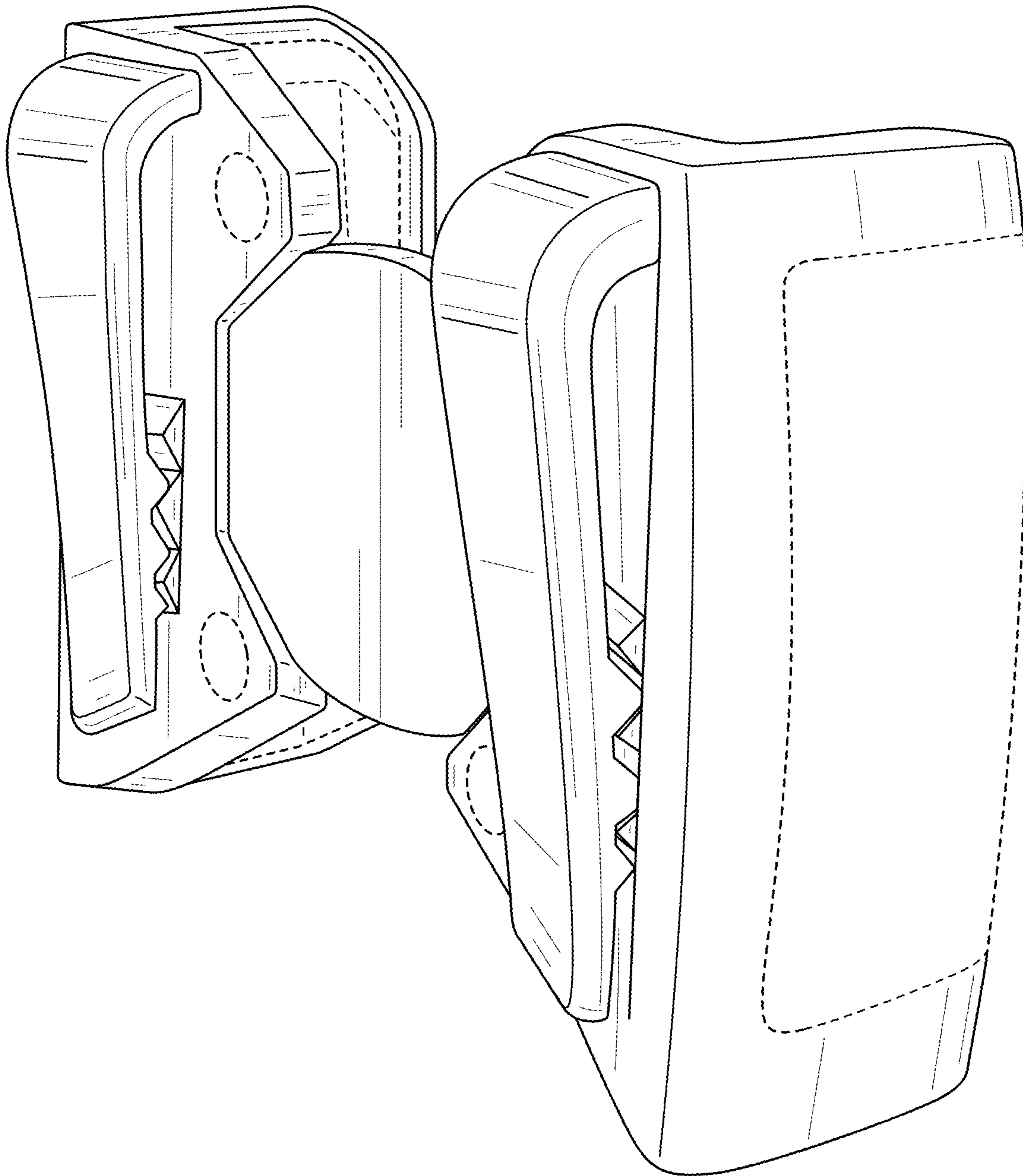


FIG. 2

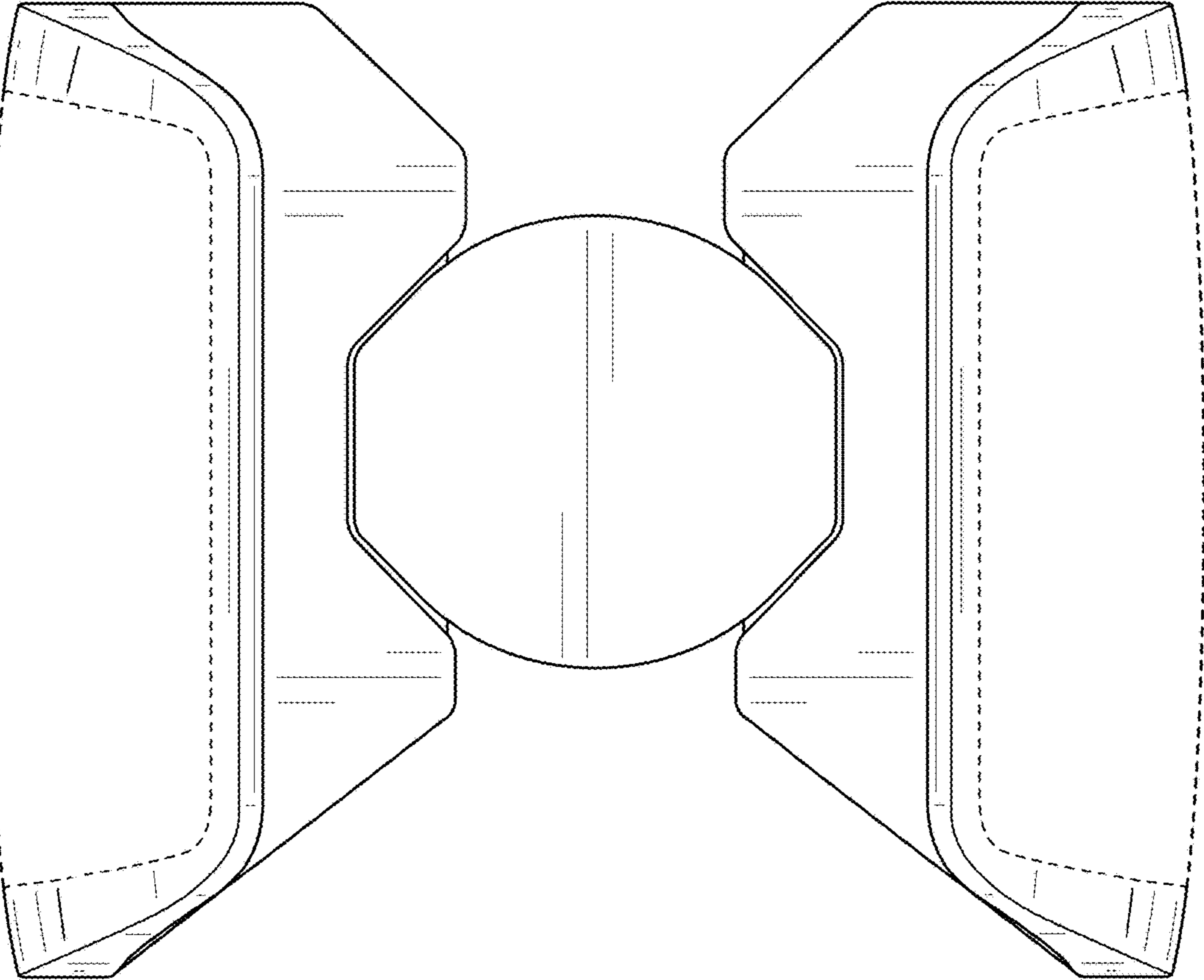


FIG. 3

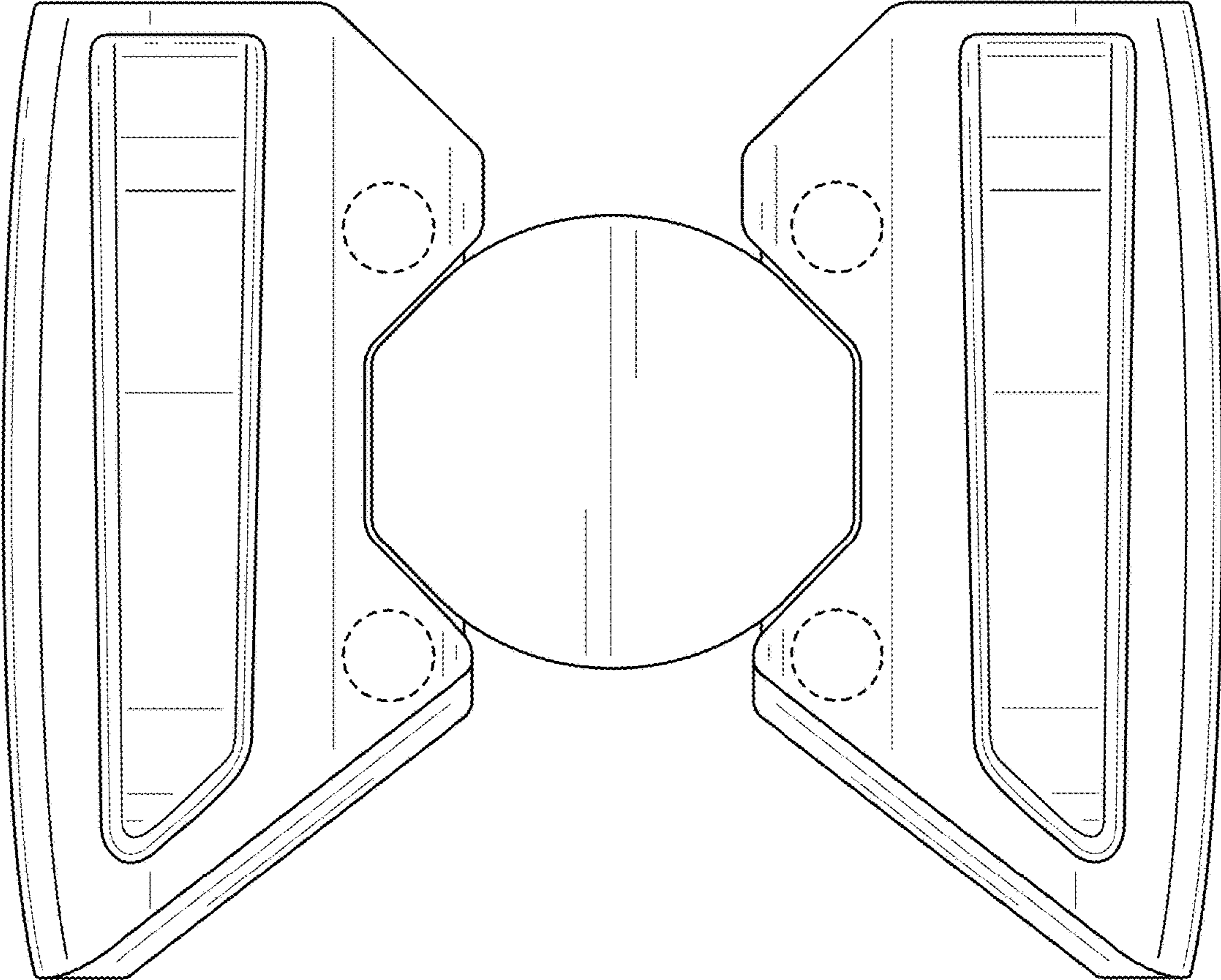


FIG. 4

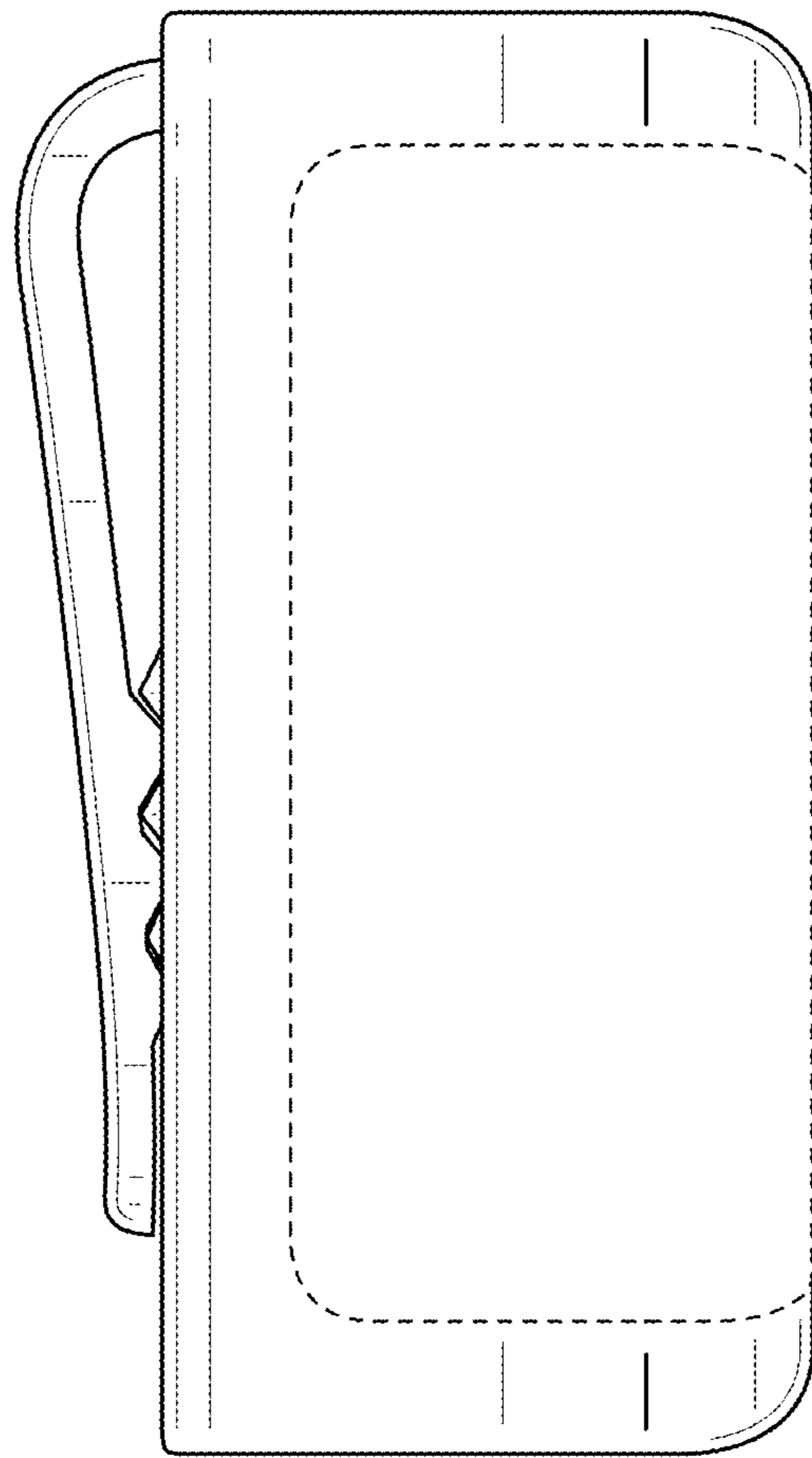


FIG. 5

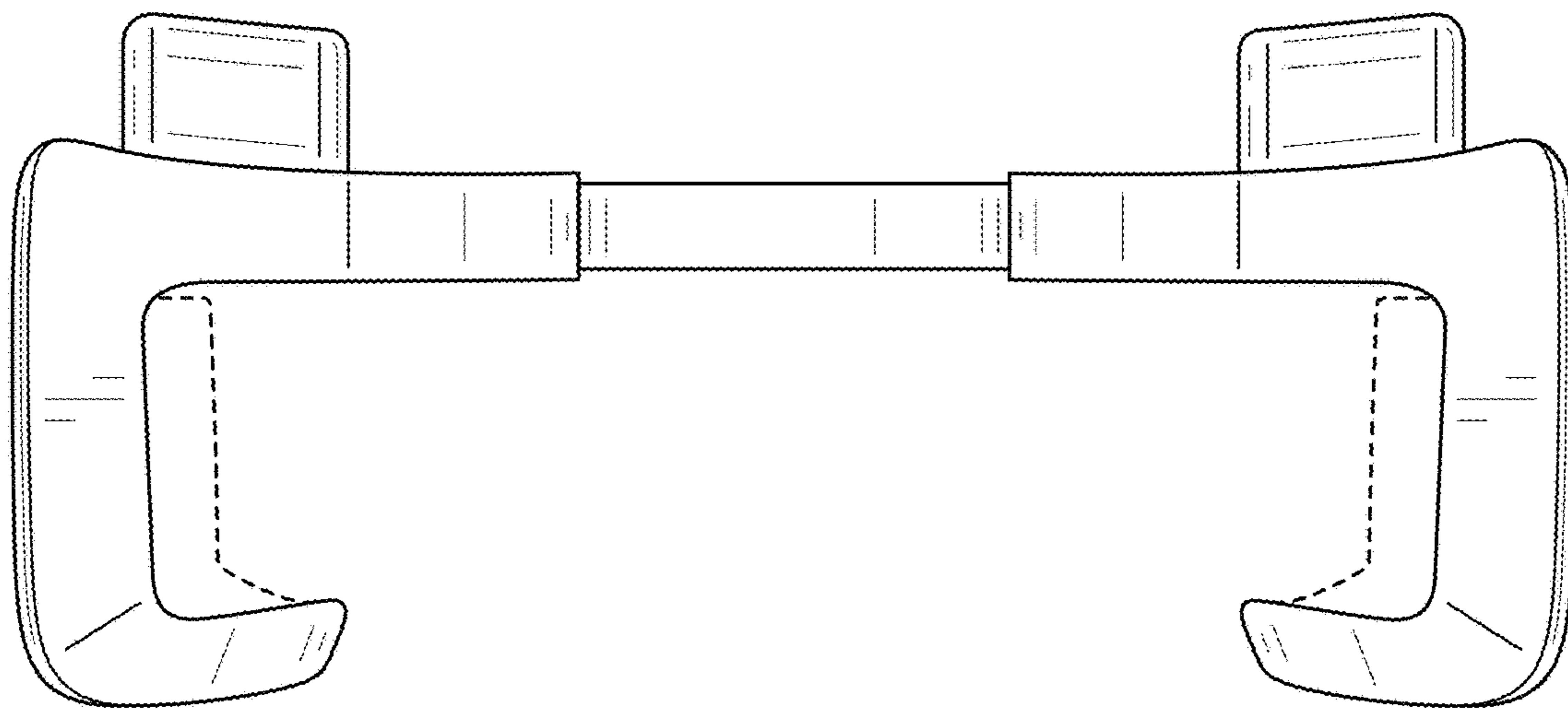


FIG. 6



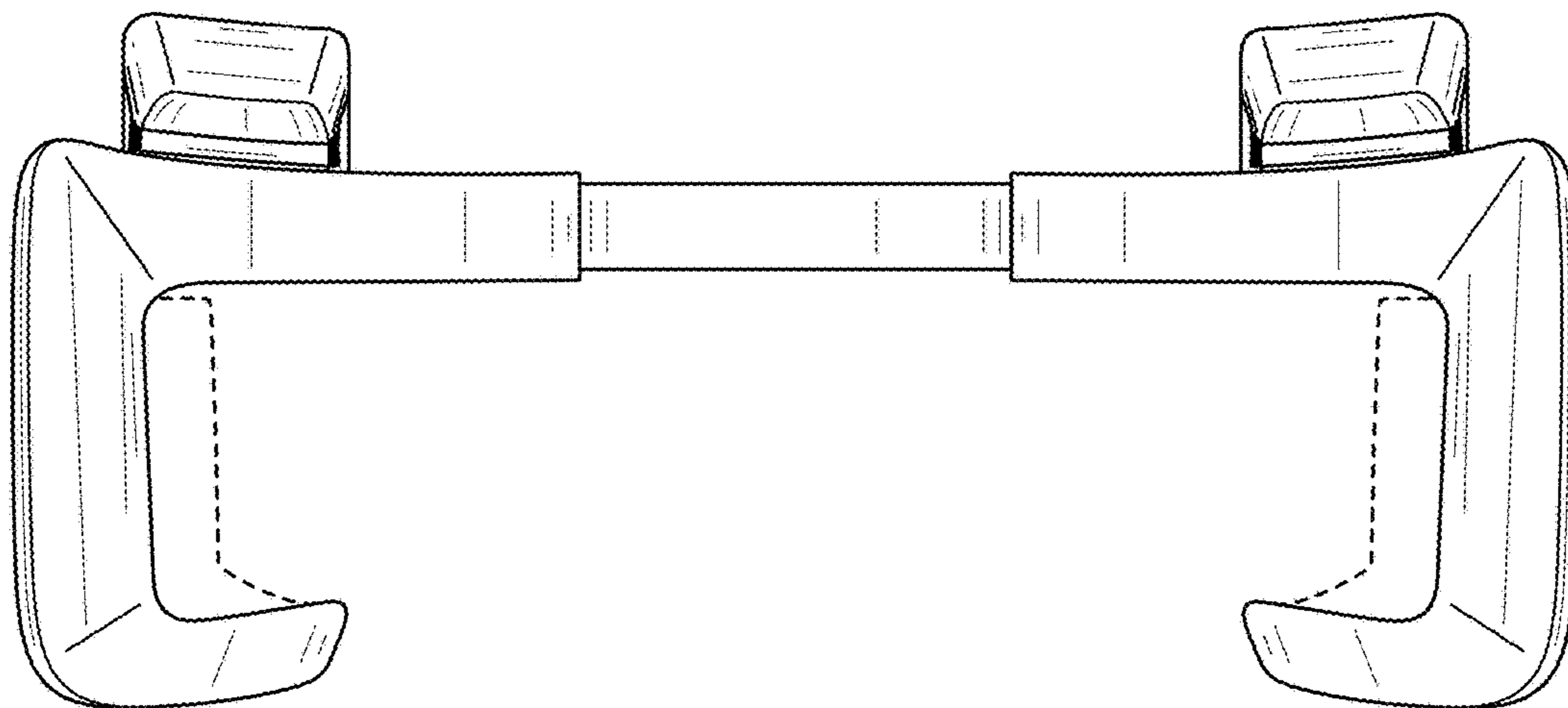


FIG. 7