

US00D799199S

(12) **United States Design Patent** (10) **Patent No.:** **US D799,199 S**
Akin et al. (45) **Date of Patent:** **** Oct. 10, 2017**

(54) **UMBRELLA WITH SOLAR PANELS**

(71) Applicant: **ZON**, Manhattan Beach, CA (US)

(72) Inventors: **Sarah Akin**, Manhattan Beach, CA (US); **David Johnson**, San Francisco, CA (US)

(73) Assignee: **ZON**, Manhattan Beach, CA (US)

(**) Term: **14 Years**

(21) Appl. No.: **29/502,277**

(22) Filed: **Sep. 12, 2014**

(51) **LOC (10) Cl.** **03-03**

(52) **U.S. Cl.**
USPC **D3/10**

(58) **Field of Classification Search**
USPC D3/5, 6, 10; D21/839; D13/102, 118, D13/199
CPC A45B 11/00; A45B 15/00; A45B 17/00; A45B 23/00; A45B 25/00; A45B 25/18; A45B 25/30; A45B 2200/1009; A45B 2200/1018; A45B 2200/1027
See application file for complete search history.

(56) **References Cited**

U.S. PATENT DOCUMENTS

D306,093	S *	2/1990	Lerch	D3/5
7,000,624	B2 *	2/2006	Chang	A45B 3/04 135/16
D600,200	S *	9/2009	Dimov	D13/102
D668,443	S *	10/2012	Sims, II	D3/5
D688,621	S *	8/2013	Mozzardi	D13/102
D693,561	S *	11/2013	Akin	D13/102
D693,562	S *	11/2013	Akin	D13/102
D693,563	S *	11/2013	Akin	D13/102
D702,037	S *	4/2014	Akin	D13/102
D703,939	S *	5/2014	Akin	D13/102
D706,026	S *	6/2014	Akin	D13/102

D727,253	S *	4/2015	Presley	D13/102
D728,466	S *	5/2015	Ehrsam	D13/102
D748,905	S *	2/2016	Akin	D13/102
D749,313	S *	2/2016	Akin	D13/102
D758,062	S *	6/2016	Akin	D13/102
D758,298	S *	6/2016	Akin	D13/102
D763,787	S *	8/2016	Parilla	D13/102
D769,808	S *	10/2016	Derkacs	D13/102
D770,756	S *	11/2016	Akin	D3/5
D770,757	S *	11/2016	Akin	D3/10
D772,802	S *	11/2016	Haas	D13/102
D772,803	S *	11/2016	Haas	D13/102
2003/0000559	A1 *	1/2003	Wu	A45B 3/04 135/16
2004/0228118	A1 *	11/2004	Peterson	A45B 3/04 362/102

(Continued)

Primary Examiner — John Windmuller

Assistant Examiner — Steven Czyz

(74) *Attorney, Agent, or Firm* — Aka Chan LLP

(57) **CLAIM**

The ornamental design for an umbrella with solar panels, as shown and described.

DESCRIPTION

FIG. 1 shows a perspective view of a first embodiment of a design for an umbrella with solar panels.

FIG. 2 shows a top view of FIG. 1.

FIG. 3 shows a first side view of FIG. 1.

FIG. 4 shows a second side view of FIG. 1.

FIG. 5 shows a perspective view of a second embodiment of a design for an umbrella with solar panels.

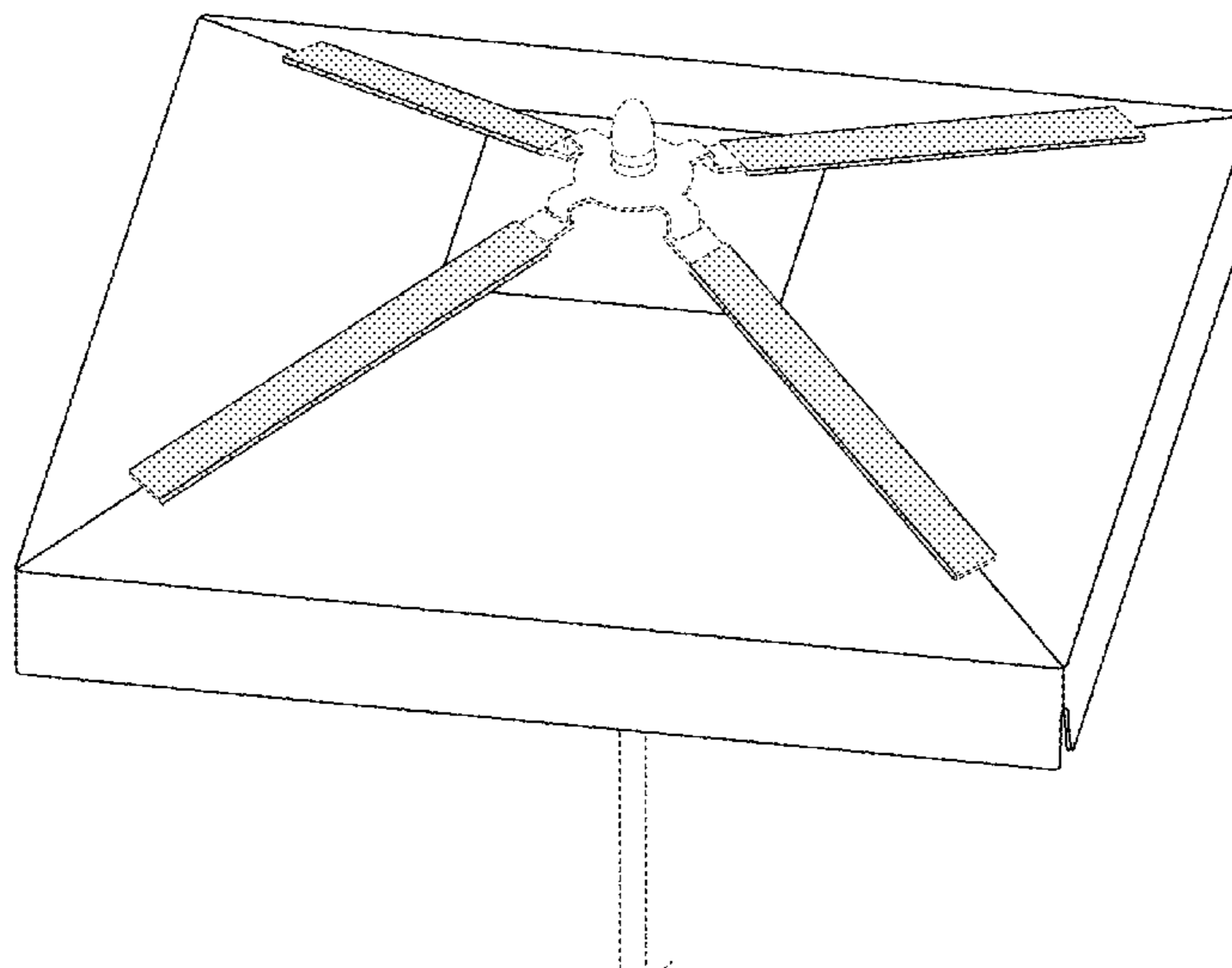
FIG. 6 shows a top view of FIG. 5.

FIG. 7 shows a first side view of FIG. 5; and,

FIG. 8 shows a second side view of FIG. 5.

The broken lines in the figures depict portions of the umbrella with solar panels that form no part of the claimed design. The gray shading in the figures is surface shading that indicates claimed portions of the solar panels.

1 Claim, 8 Drawing Sheets



(56)

References Cited

U.S. PATENT DOCUMENTS

2005/0121063 A1* 6/2005 Chang A45B 3/04
135/15.1
2005/0161067 A1* 7/2005 Hollins A45B 23/00
135/16
2007/0283987 A1* 12/2007 Reyes A45B 3/04
135/16
2009/0058354 A1* 3/2009 Harrison A45B 3/00
320/101
2010/0154786 A1* 6/2010 Li A45B 23/00
126/624
2010/0180922 A1* 7/2010 McKenna A45B 25/18
135/96
2011/0265694 A1* 11/2011 Portis A45B 3/00
108/50.12
2014/0009103 A1* 1/2014 Nita H02J 7/355
320/101
2014/0028242 A1* 1/2014 Akin H02J 7/35
320/101
2014/0144490 A1* 5/2014 Richardson E04H 6/025
136/251
2015/0216273 A1* 8/2015 Akin A45B 25/00
135/16

* cited by examiner

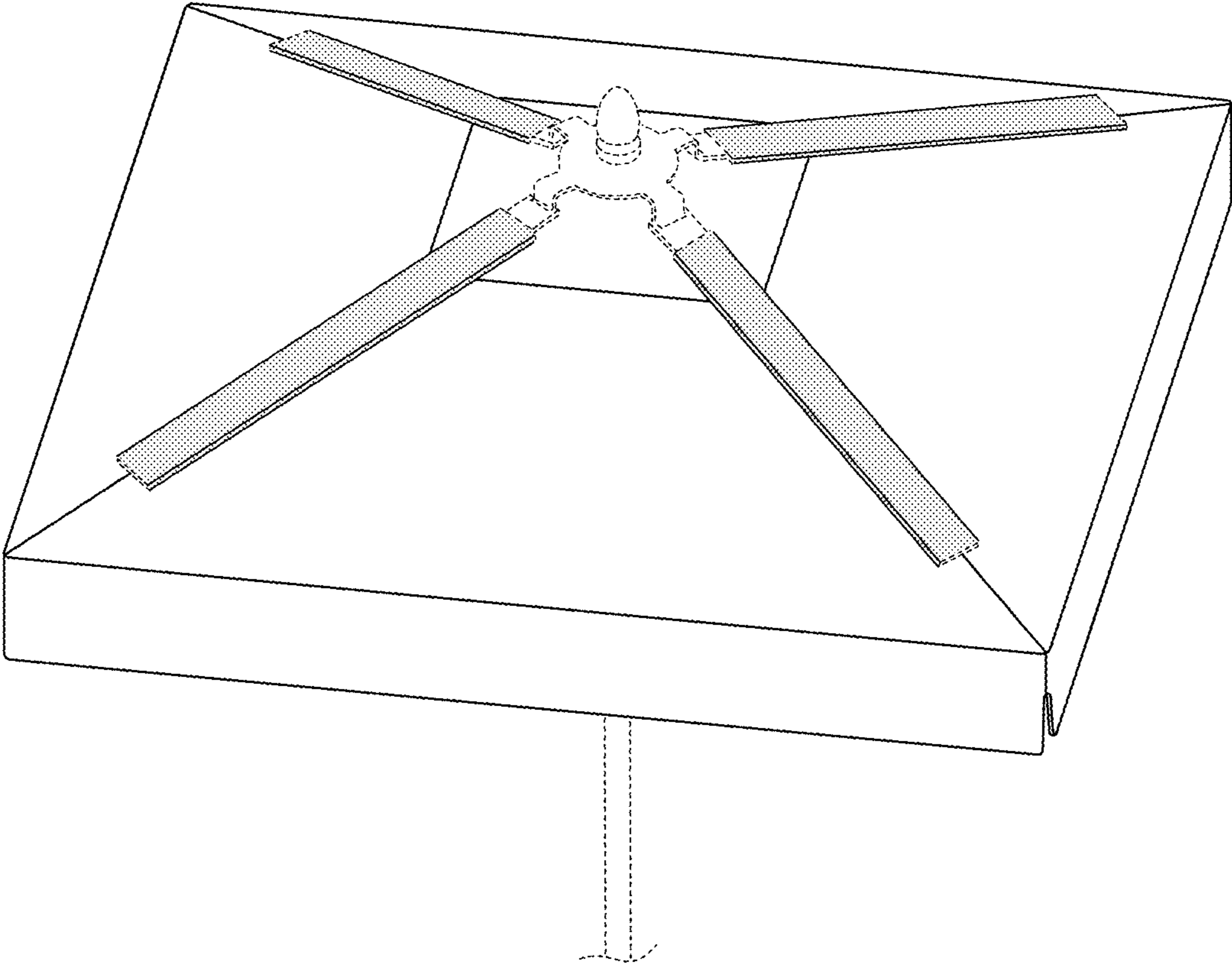


FIG. 1

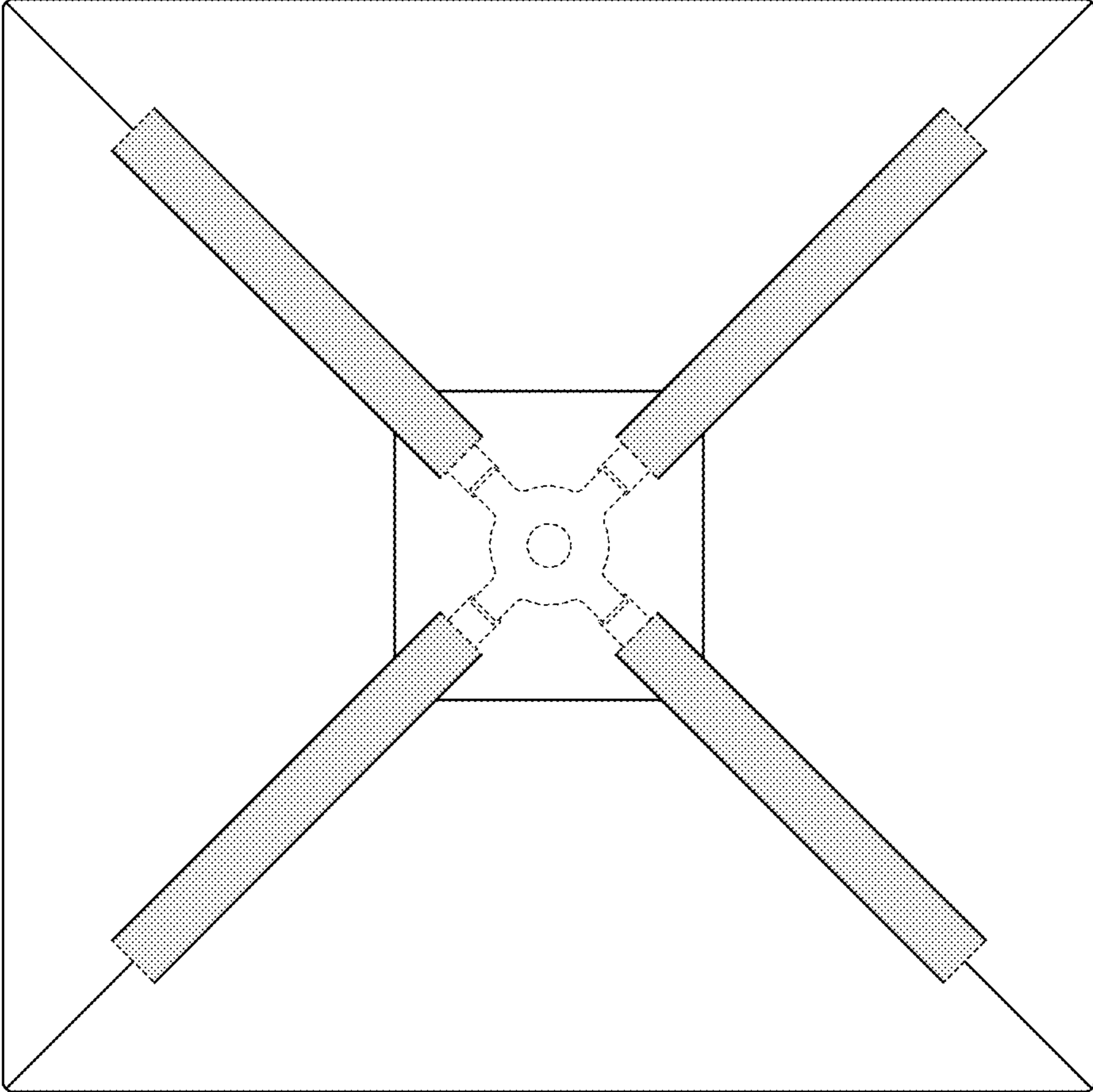


FIG. 2

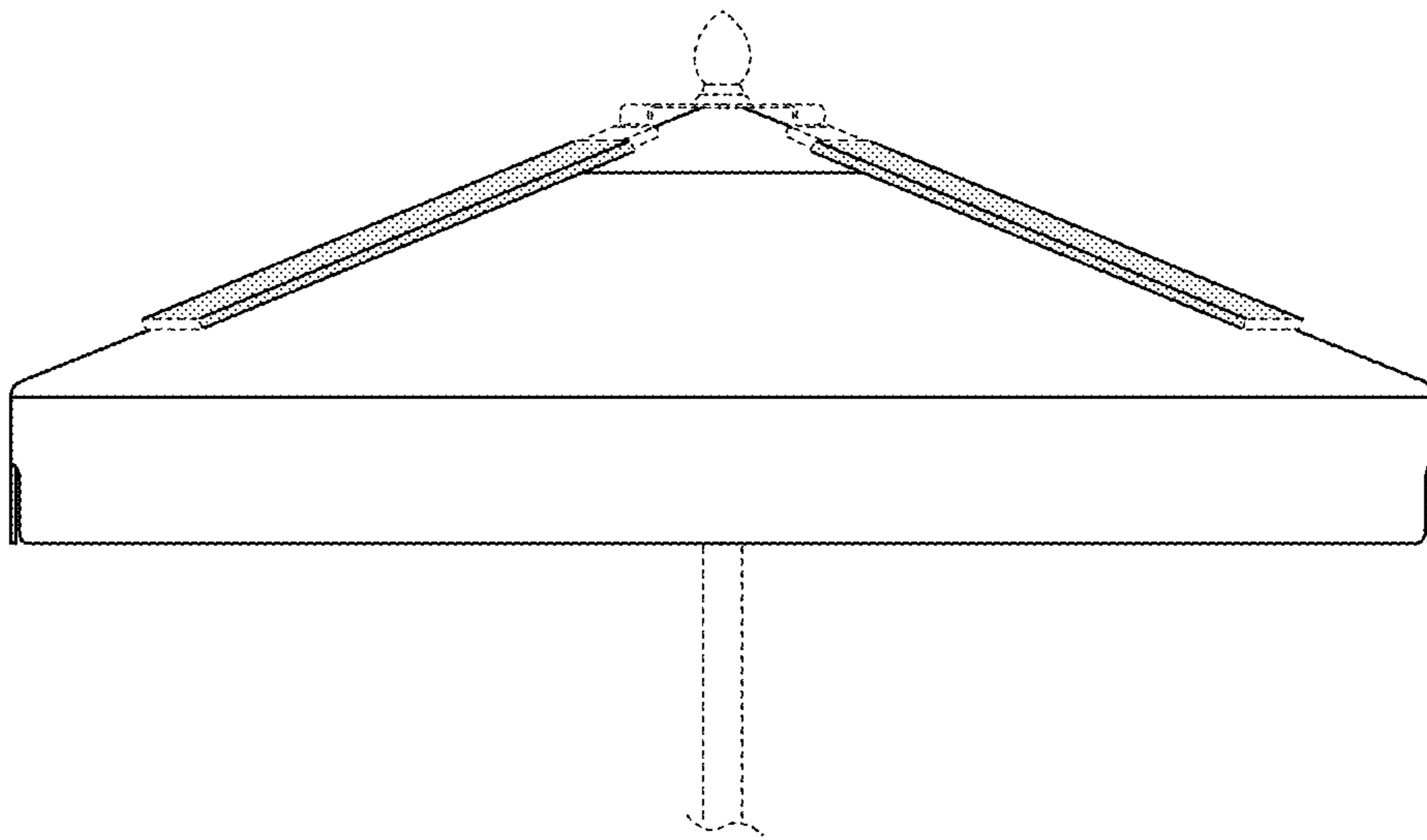


FIG. 3

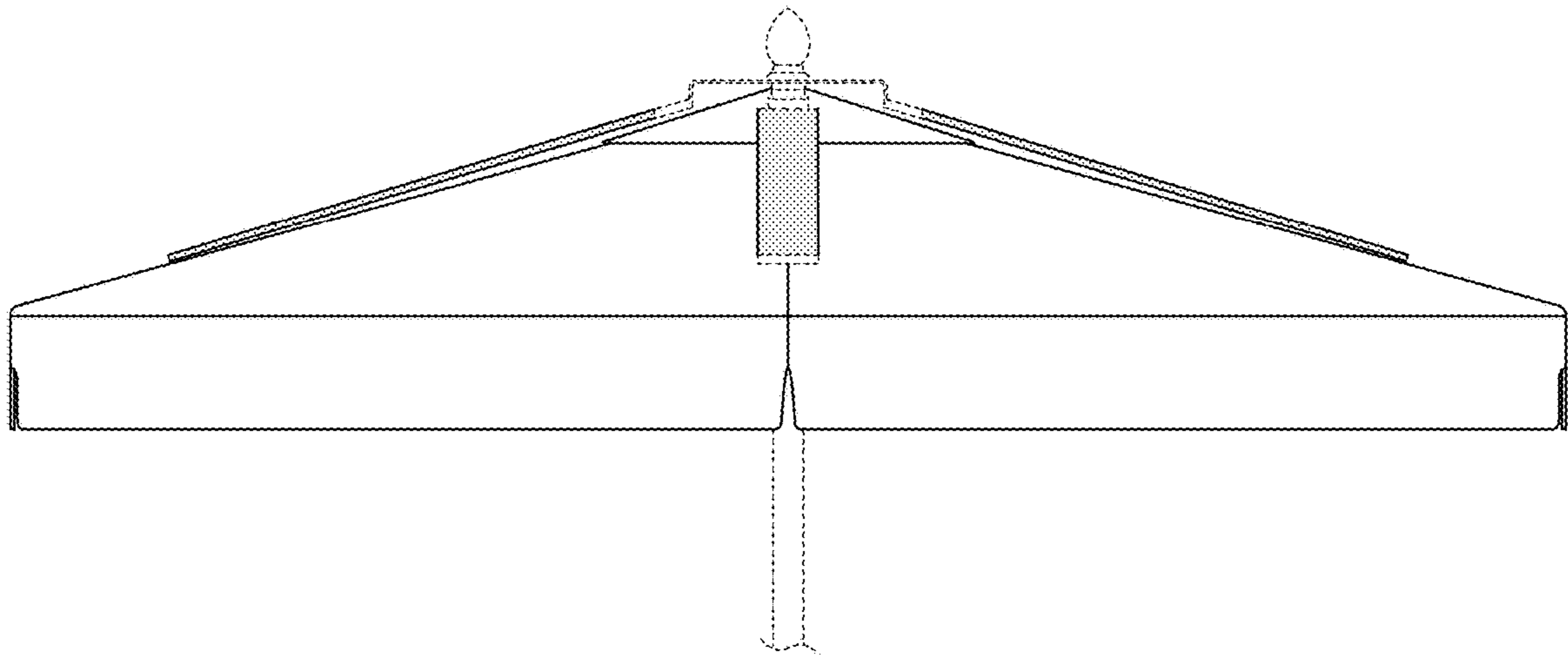


FIG. 4

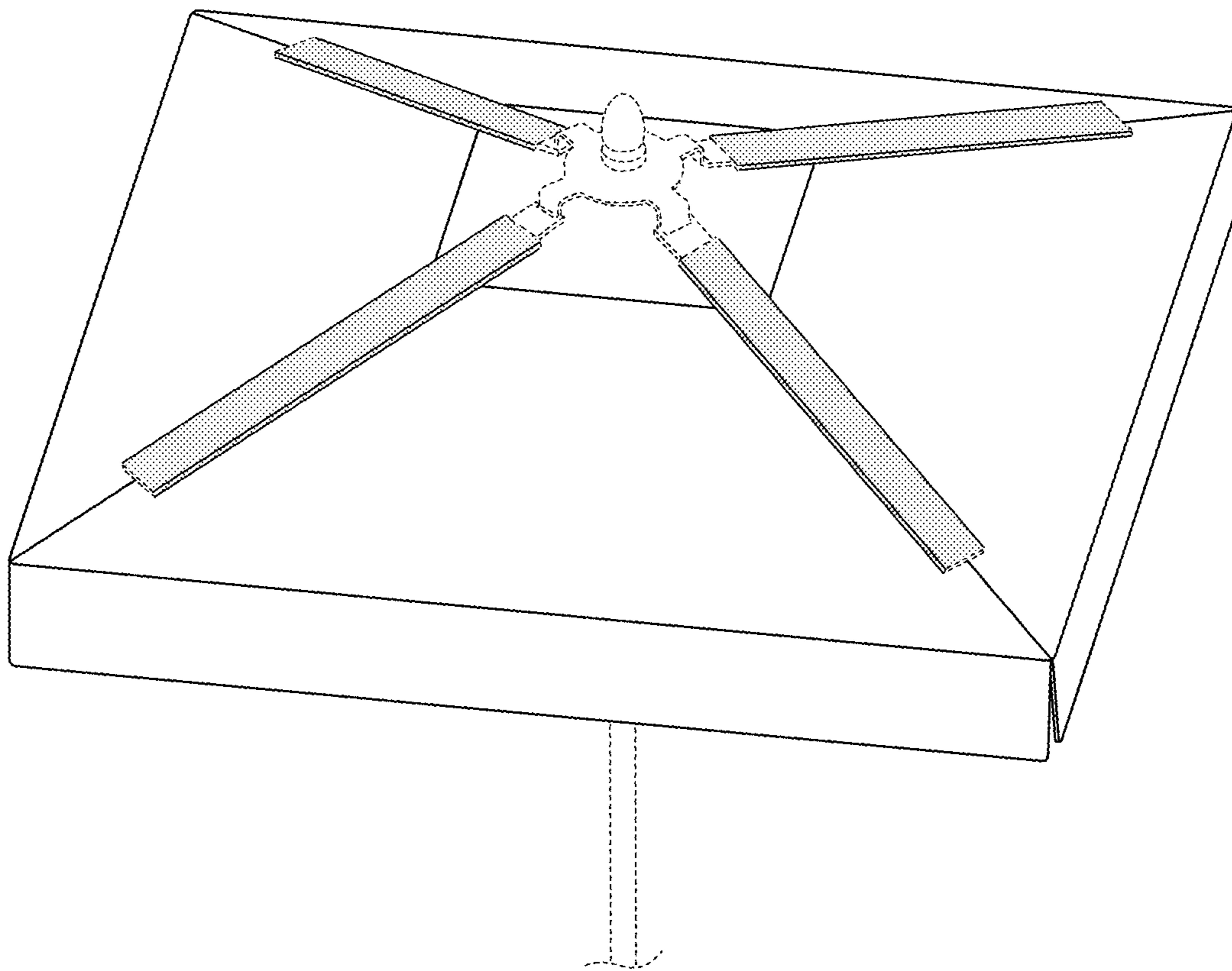


FIG. 5

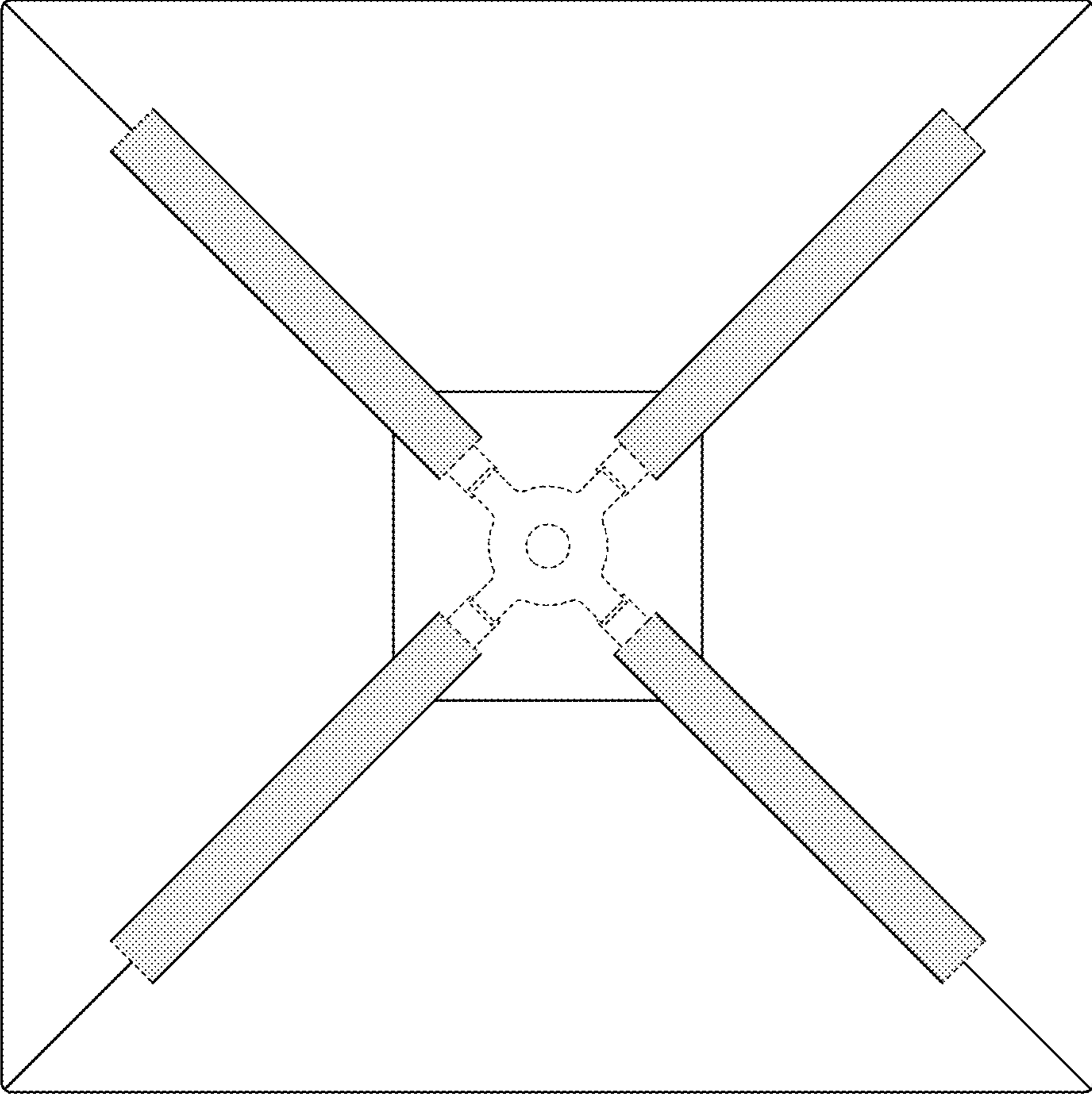


FIG. 6

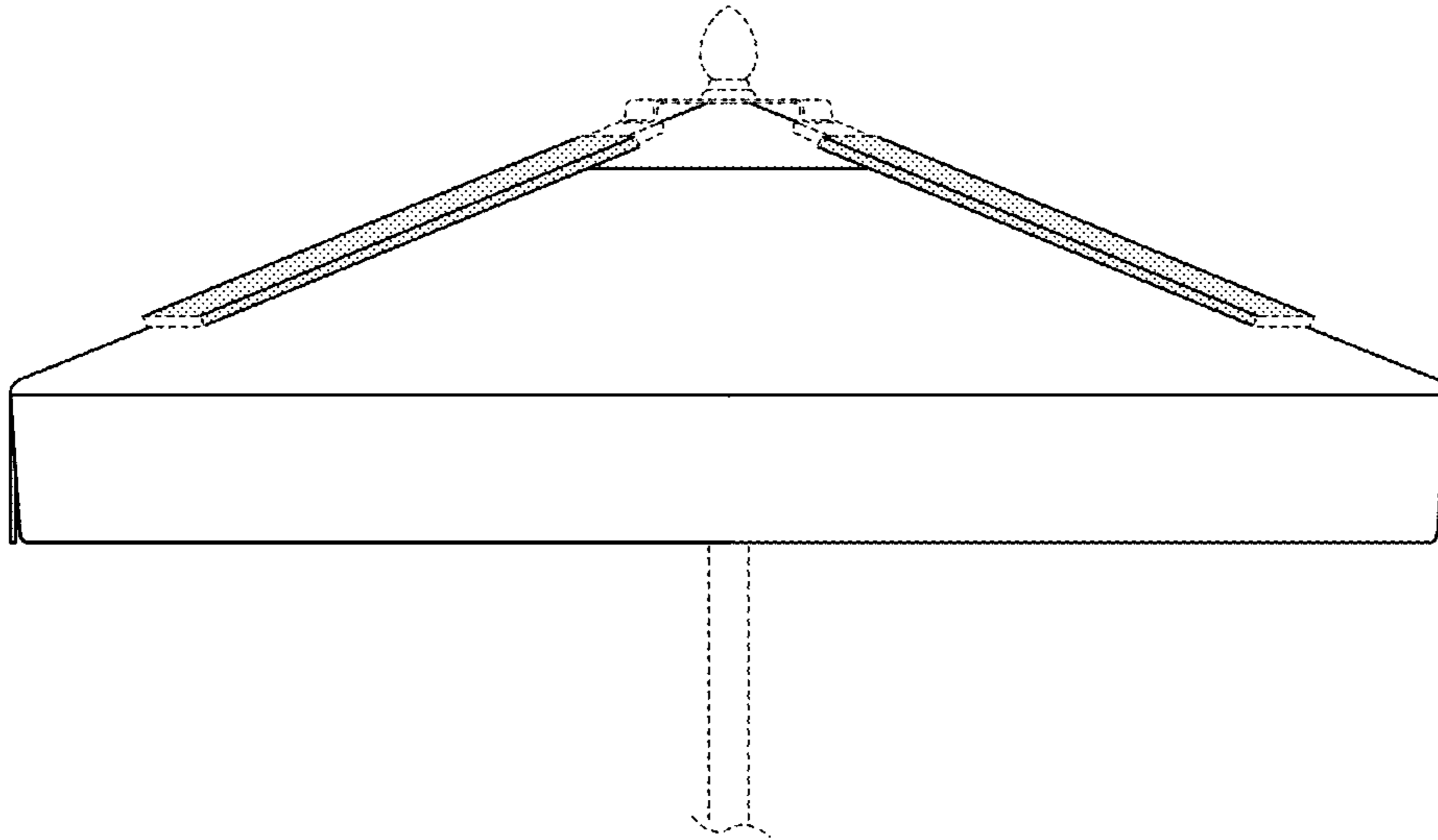


FIG. 7

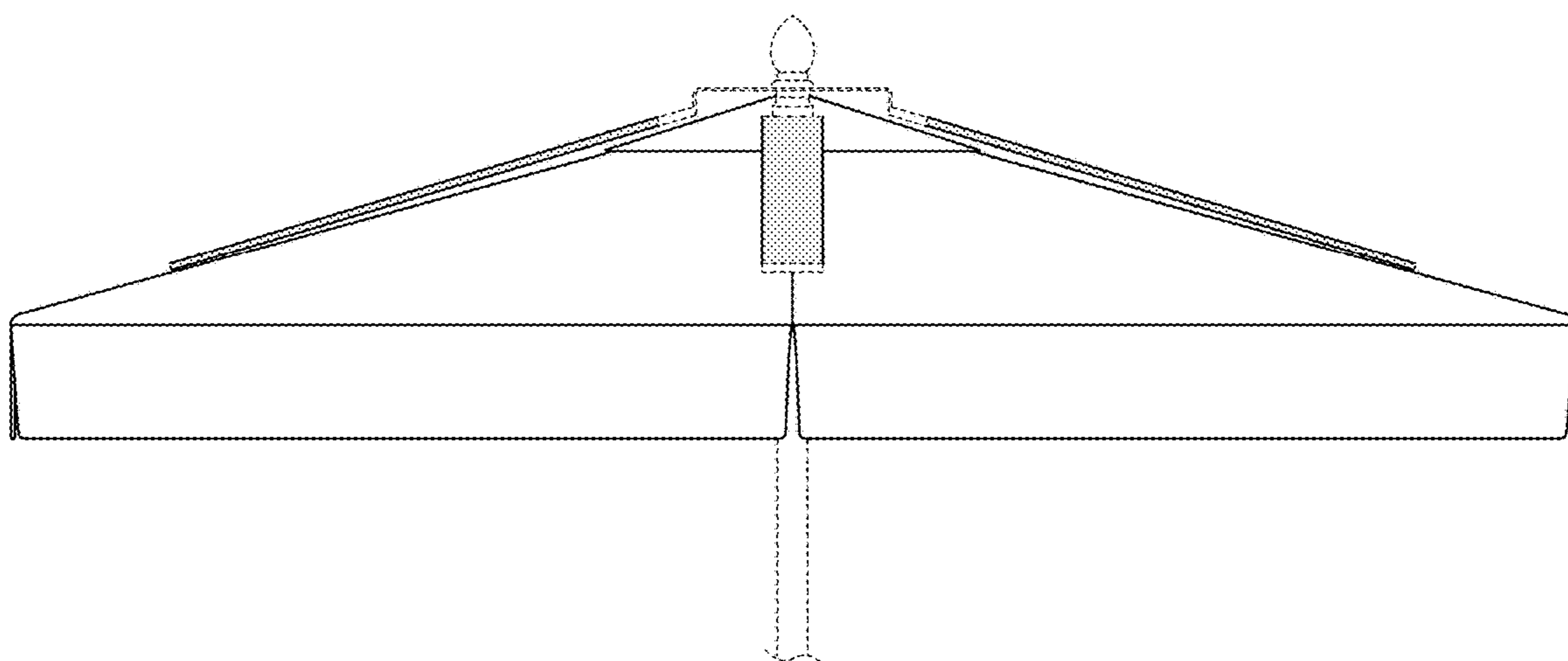


FIG. 8