



US00D799196S

(12) **United States Design Patent**  
**Ploughman**

(10) **Patent No.:** **US D799,196 S**

(45) **Date of Patent:** **\*\* Oct. 10, 2017**

(54) **SPUR STRAP**

(71) Applicant: **Penelope Denise Ploughman**, Albany, NY (US)

(72) Inventor: **Penelope Denise Ploughman**, Albany, NY (US)

(73) Assignee: **Penelope Denise Ploughman**, Albany, NY (US)

(\*\*) Term: **15 Years**

(21) Appl. No.: **29/564,996**

(22) Filed: **May 17, 2016**

(51) **LOC (10) Cl.** ..... **02-02**

(52) **U.S. Cl.**  
USPC ..... **D2/976**

(58) **Field of Classification Search**  
USPC ..... D2/976, 915, 627, 639, 946, 978;  
D30/157

(Continued)

(56) **References Cited**

**U.S. PATENT DOCUMENTS**

702,476 A \* 6/1902 Price ..... A43B 7/32  
36/136  
725,604 A \* 4/1903 Straus ..... A43C 17/00  
54/83.2

(Continued)

**FOREIGN PATENT DOCUMENTS**

CA 56027 \* 3/1986

**OTHER PUBLICATIONS**

Nylon English Spur Strap posted on Sstack review date posted date  
Mar. 12, 2010, © Sstack, [online], [site visited Jun. 23, 2017].  
<http://www.sstack.com/product/nylon-spur-strap-with-velcro-closure/>.\*

(Continued)

*Primary Examiner* — Garth Rademaker

*Assistant Examiner* — Laura Yu

(74) *Attorney, Agent, or Firm* — Heslin Rothenberg  
Farley & Mesiti P.C.

(57) **CLAIM**

The ornamental design for a spur strap, as shown and described.

**DESCRIPTION**

FIG. 1 is a front perspective view of a spur strap showing my new design while worn on a boot;

FIG. 2 is a front-top perspective view of the spur strap attached to a spur;

FIG. 3 is a top plan view of the spur strap;

FIG. 4 is a front elevational view of the spur strap, rear elevational view being a mirror image thereof;

FIG. 5 is a bottom plan view of the spur strap;

FIG. 6 is a right side elevational view of the spur strap;

FIG. 7 is a left side elevational view of the spur strap;

FIG. 8 is an enlarged, top view of the spur strap, showing area 8 of FIG. 3;

FIG. 9 is an enlarged, front view of the spur strap, showing area 9 of FIG. 4;

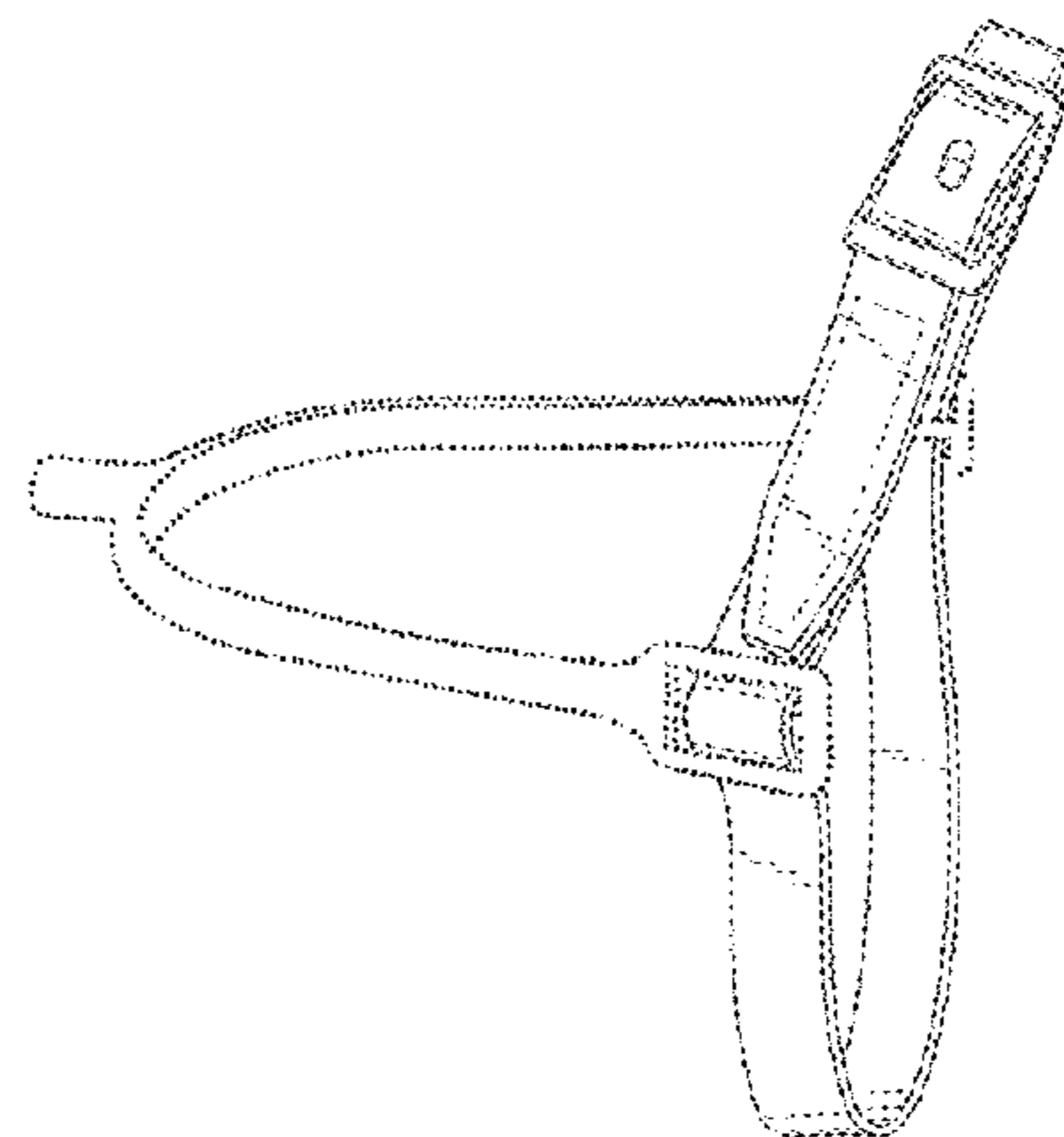
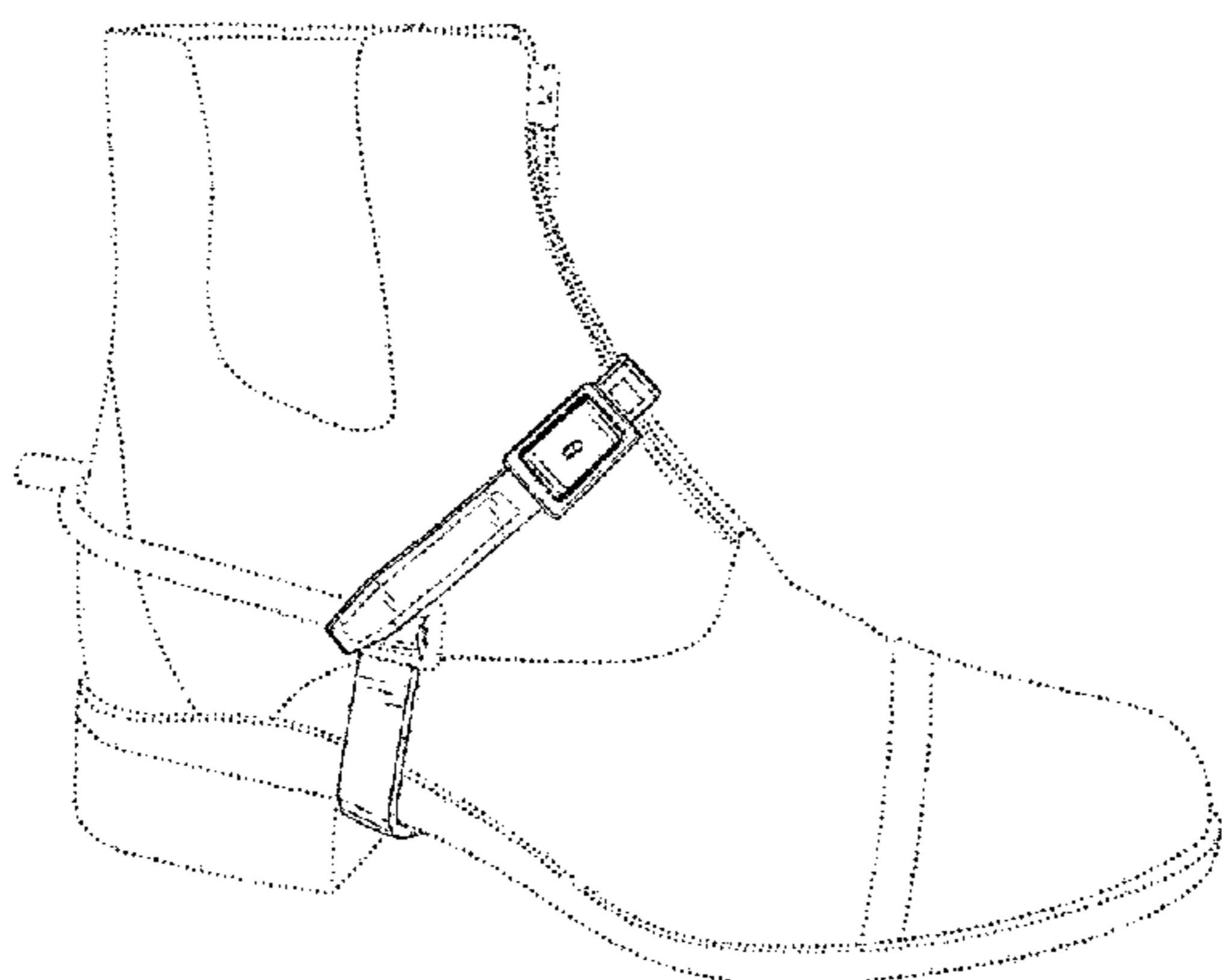
FIG. 10 is an enlarged, top view of the spur strap, showing the same portion as FIG. 8, shown with unclaimed surface indicia applied; and,

FIG. 11 is an enlarged, front view of the spur strap, showing the same portion as FIG. 9 shown with an unclaimed surface indicia applied.

The broken lines showing a boot and spur in FIGS. 1 and -2 are environmental and form no part of the claimed design. The dotted lines in FIGS. 10 and-11 illustrate optional surface indicia and form no part of the claimed design. The claimed design continues beneath the surface indicia, as shown in FIGS. 8 and 9. All other broken lines within the spur strap represent stitching which is part of the claimed design.

FIGS. 3, 4, and 5 include break lines, indicating that portions of the spur strap have been omitted for ease of disclosure. The full length of the spur strap is shown in FIG. 2.

**1 Claim, 5 Drawing Sheets**



(58) **Field of Classification Search**  
 CPC ..... A43C 17/06  
 See application file for complete search history.

(56) **References Cited**

U.S. PATENT DOCUMENTS

846,476	A *	3/1907	Hynard	.....	A44B 11/22 24/174
849,516	A *	4/1907	Van Cleve	.....	A44B 11/006 24/1
969,839	A *	9/1910	Buermann	.....	A43C 17/00 54/83.2
1,882,059	A *	10/1932	Boos	.....	A43C 17/04 54/83.2
2,530,695	A *	11/1950	Helmer	.....	A47F 5/00 224/586
3,086,529	A *	4/1963	Munz	.....	A61B 17/1322 128/878
4,348,854	A	9/1982	Van Scoyk et al.		
D274,557	S *	7/1984	Griffith, III	.....	D2/627
D282,789	S *	3/1986	Remboldt	.....	D2/627
6,381,931	B2	5/2002	Balkenhol		
7,310,928	B2 *	12/2007	Curry	.....	A43C 17/06 54/83.2
D594,220	S *	6/2009	McDaniel	.....	D2/971
D708,795	S	7/2014	Robinson		
D721,466	S *	1/2015	Boyles	.....	D2/627
D744,740	S *	12/2015	Kenison	.....	D2/978

D751,282	S *	3/2016	Larue	.....	D2/946
2001/0013216	A1 *	8/2001	Balkenhol	.....	A43C 17/02 54/83.1
2002/0108357	A1 *	8/2002	Martin	.....	A43C 17/02 54/83.1
2006/0042201	A1 *	3/2006	Curry	.....	A43C 17/06 54/83.1
2011/0107731	A1 *	5/2011	Mauldin	.....	A43C 17/04 54/83.1
2012/0266575	A1 *	10/2012	Chang	.....	A43C 17/02 54/83.1

OTHER PUBLICATIONS

EquiRoyal Leather Spur Strap posted by JT review date posted date Feb. 14, 2014, © Amazon, [online], [site visited Jun. 23, 2017]. <https://www.amazon.com/EquiRoyal-Leather-Spur-Straps-Black/dp/B002HJ1FC4>.\*

Perri's Spur Strap posted by Perri's review date posted date Aug. 20, 2013, © Amazon, [online], [site visited Jun. 23, 2017]. [https://www.amazon.com/Perris-Spur-Straps-with-Crystals/dp/B006WLBOOW/ref=pd\\_sbs\\_200\\_6?\\_encoding=UTF8&pd\\_rd\\_i=B006WLBOOW&pd\\_rd\\_r=KSV285T22D7ZCCG2H472&pd\\_rd\\_w=2EEJQ&pd\\_rd\\_wg=gG3G1&refRID=KSV285T22D7ZCCG2H472](https://www.amazon.com/Perris-Spur-Straps-with-Crystals/dp/B006WLBOOW/ref=pd_sbs_200_6?_encoding=UTF8&pd_rd_i=B006WLBOOW&pd_rd_r=KSV285T22D7ZCCG2H472&pd_rd_w=2EEJQ&pd_rd_wg=gG3G1&refRID=KSV285T22D7ZCCG2H472).\*

<http://www.sstack.com/product/nylon-spur-strap-with-velcro-closure/>; downloaded on May 12, 2016.

\* cited by examiner

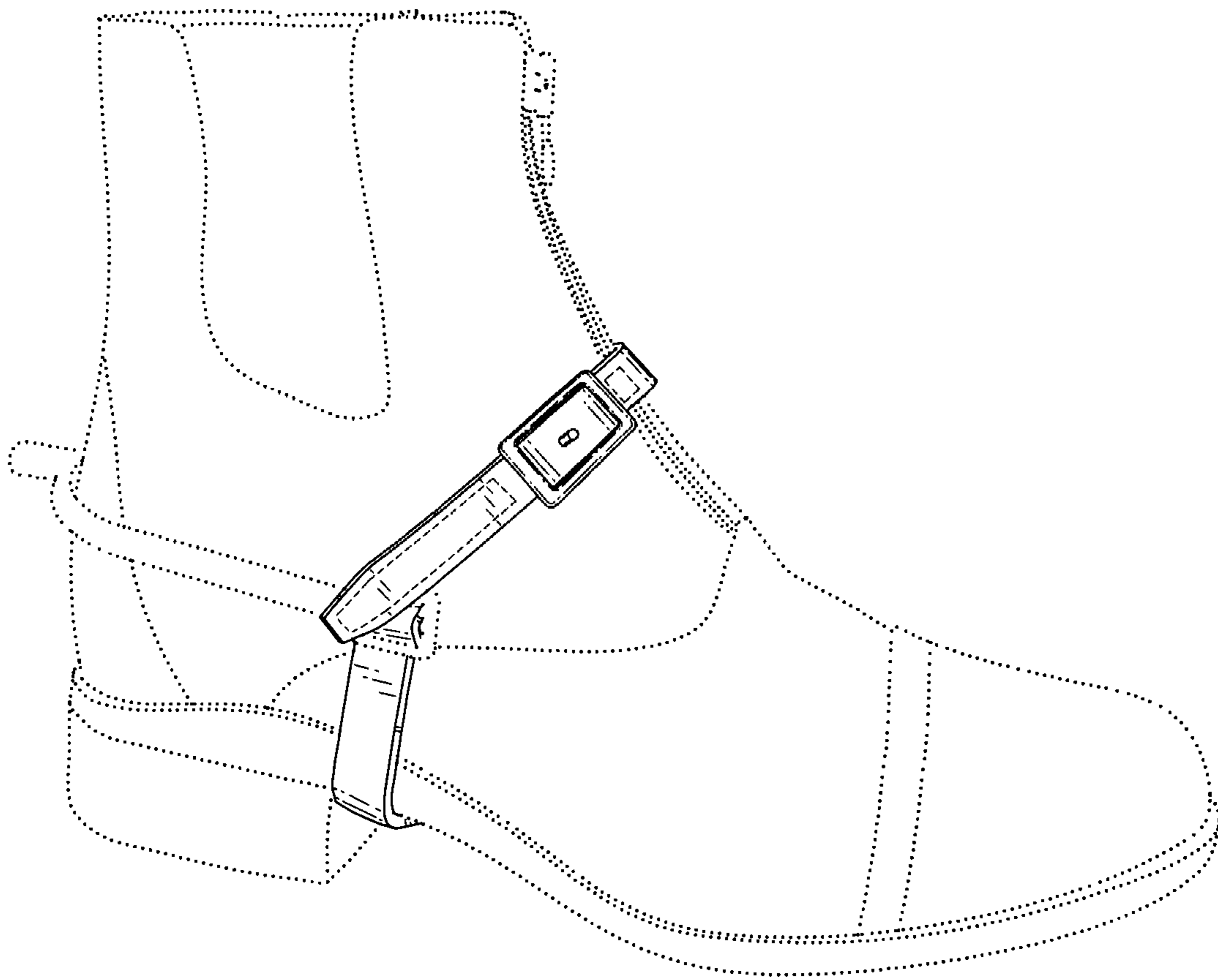


FIG. 1

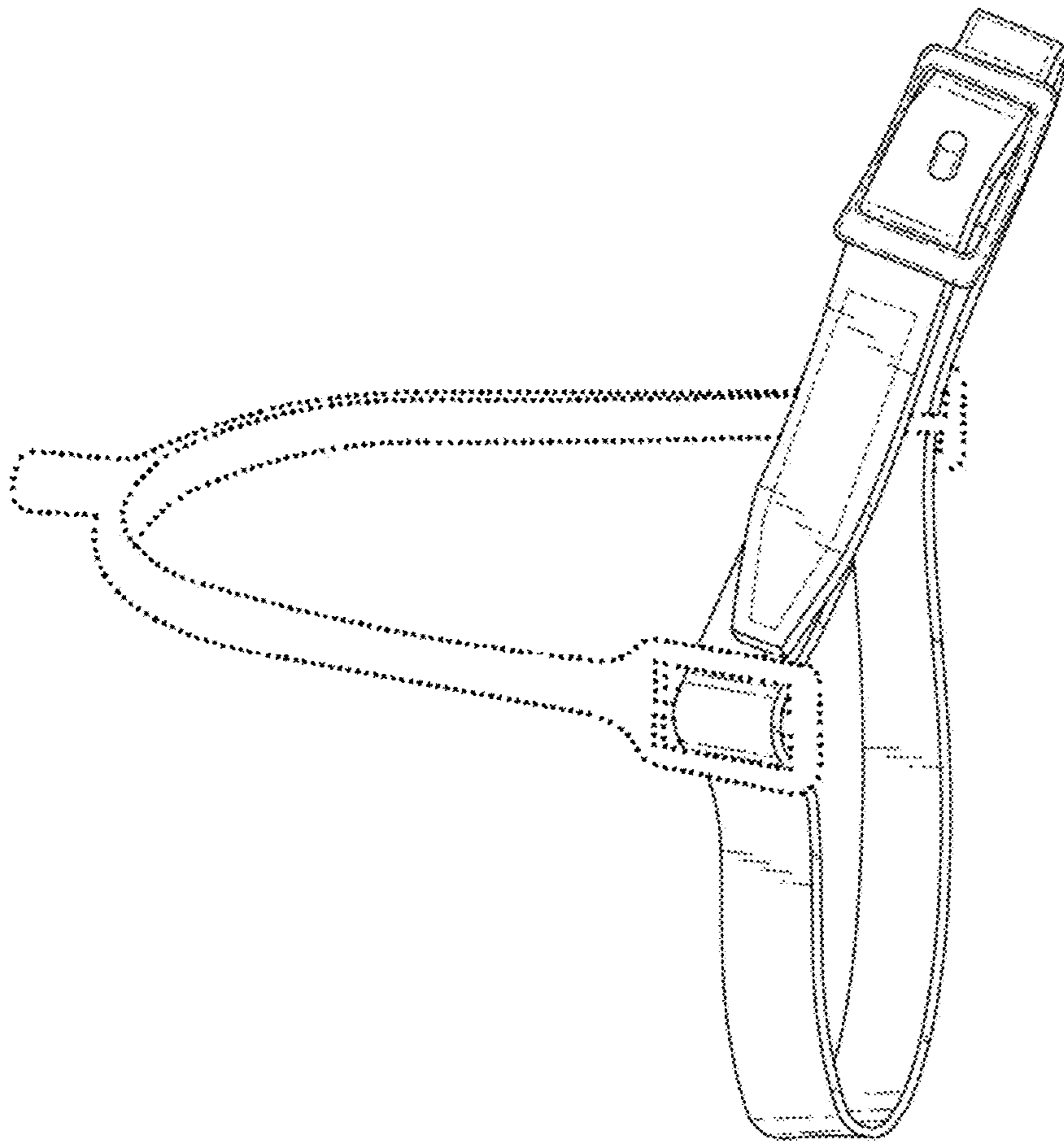


FIG. 2

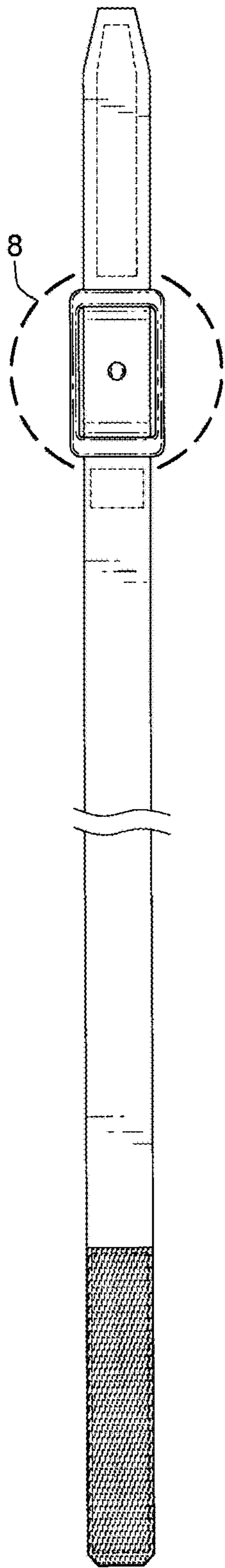


FIG. 3

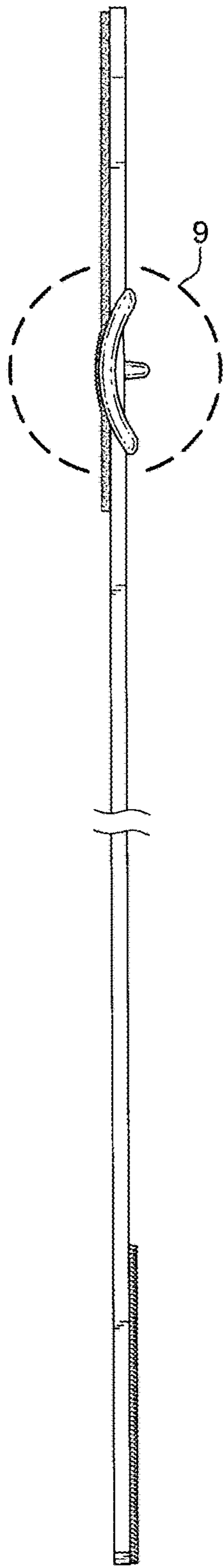


FIG. 4



FIG. 5



FIG. 6

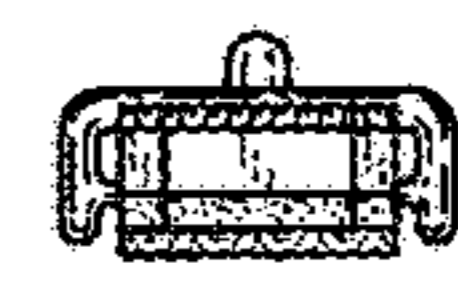


FIG. 7

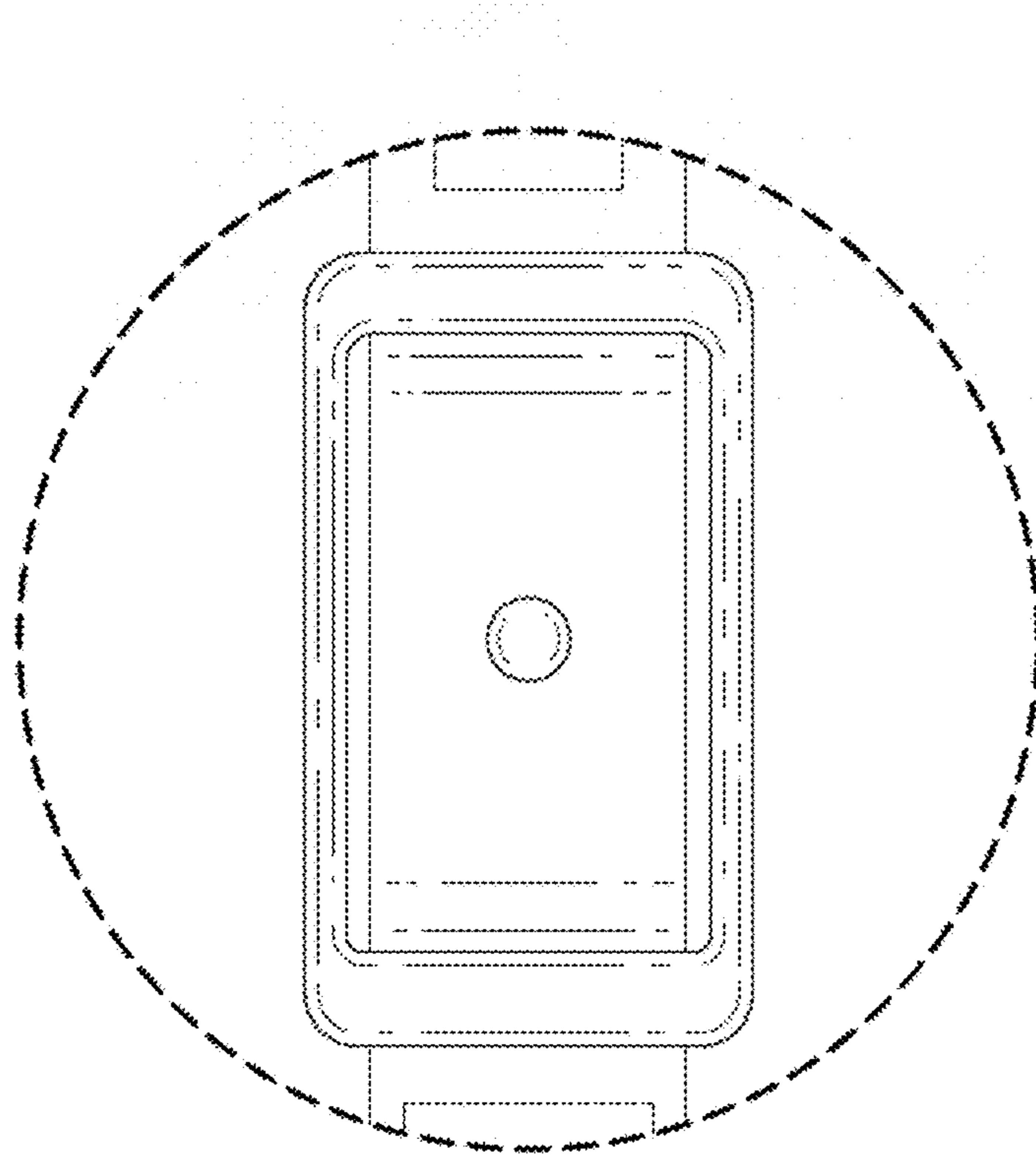


FIG. 8

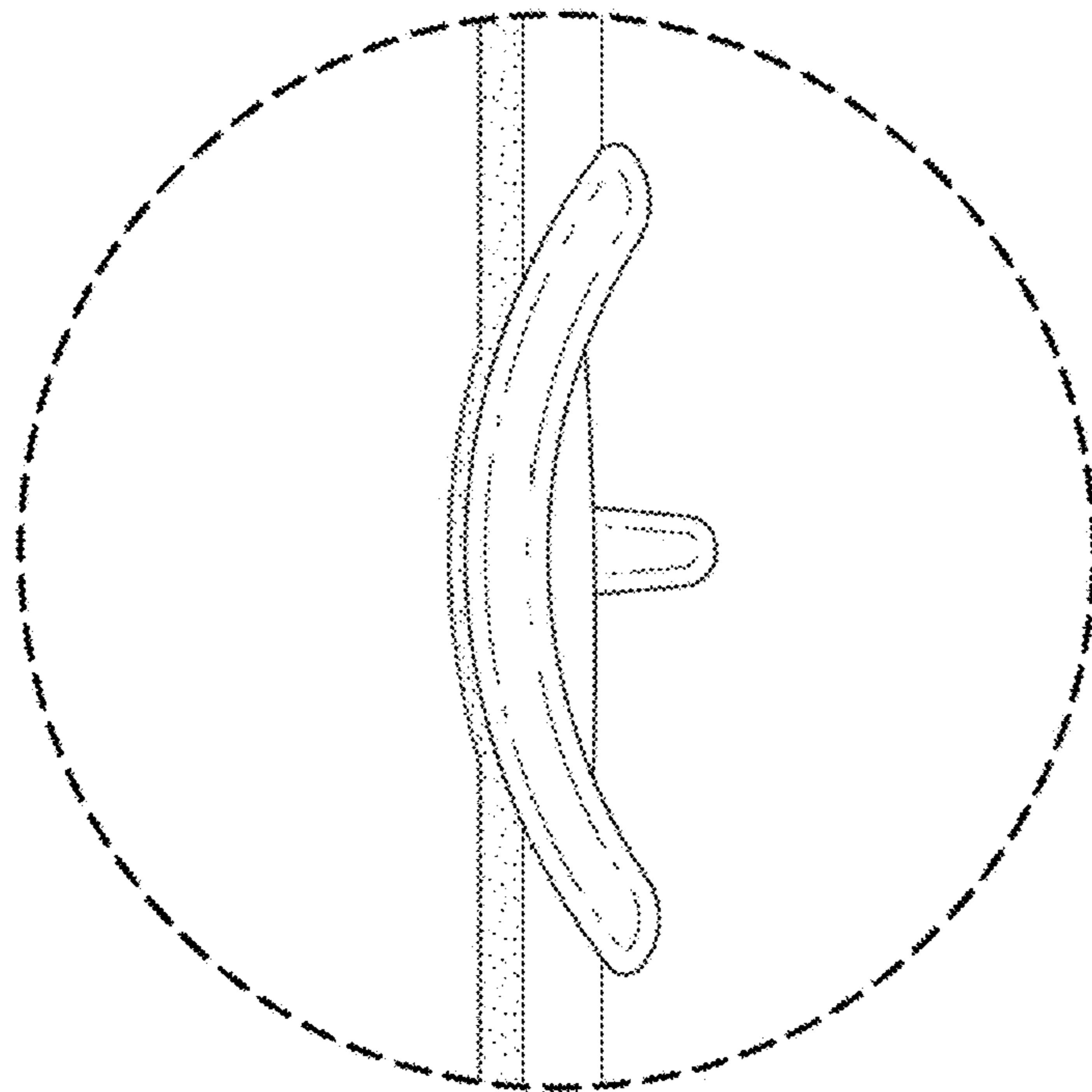


FIG. 9

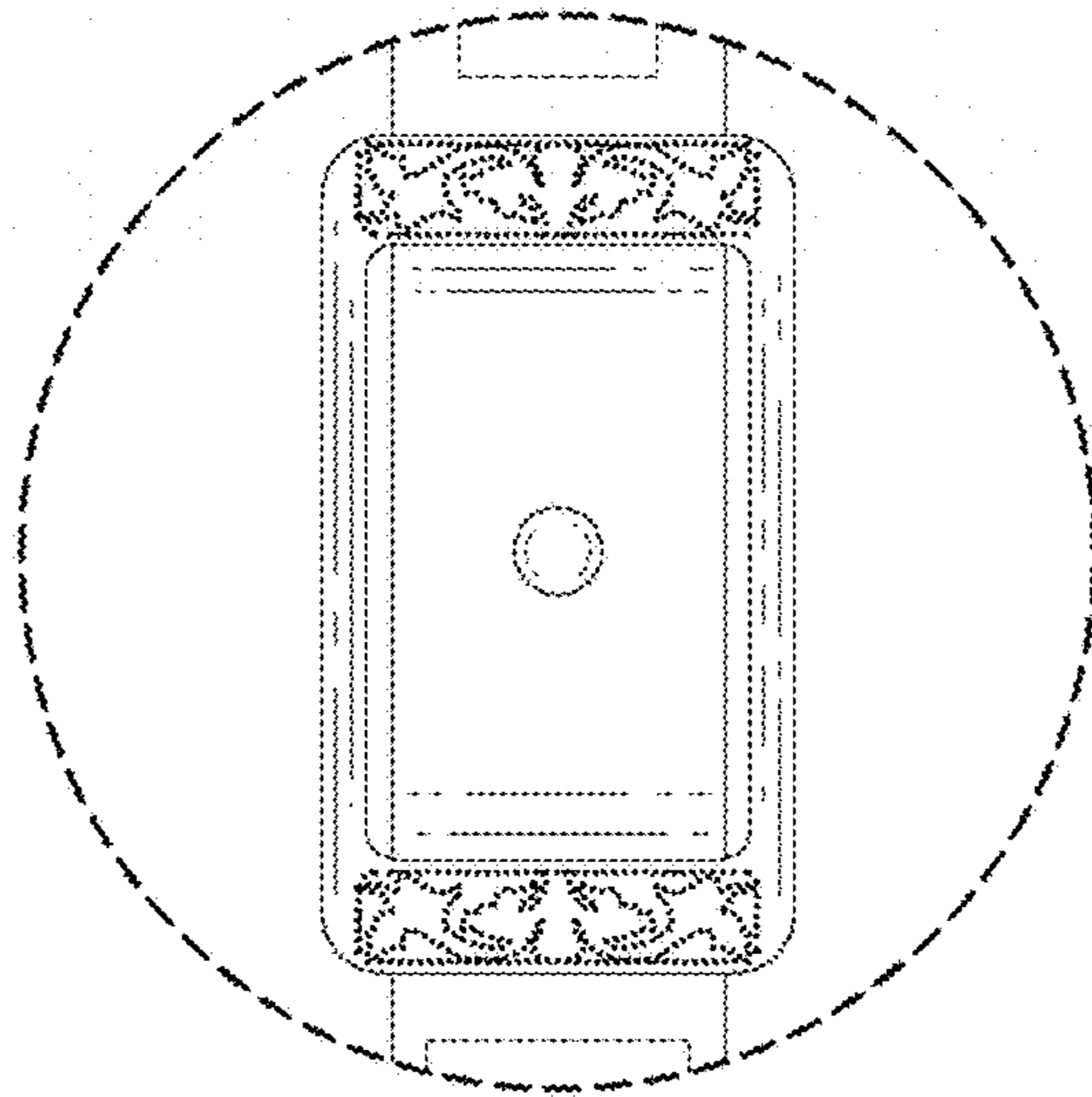


FIG. 10

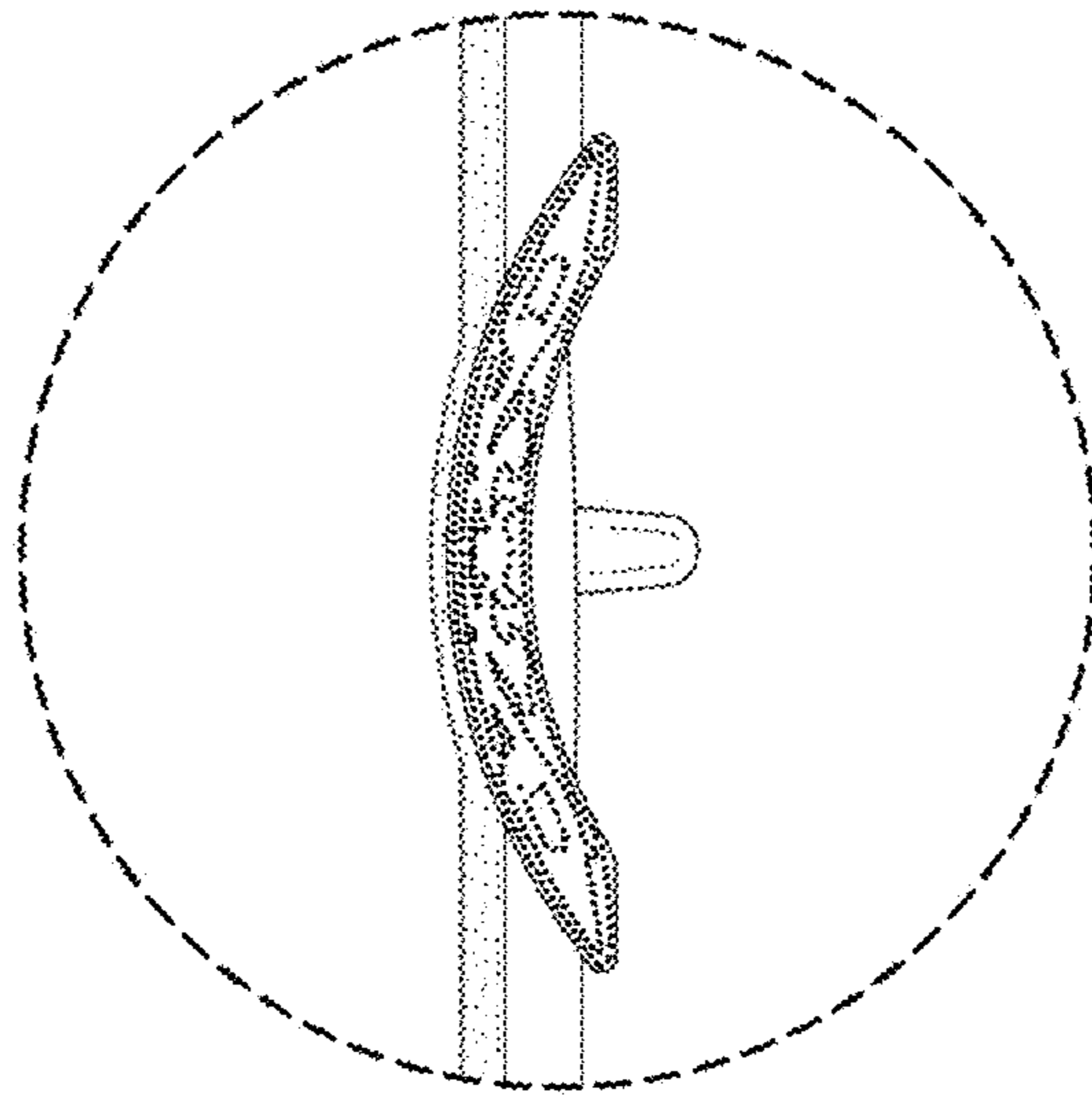


FIG. 11