



US00D799192S

(12) **United States Design Patent** (10) **Patent No.:** **US D799,192 S**  
**Greenspan** (45) **Date of Patent:** **\*\* Oct. 10, 2017**

- (54) **SHOE UPPER**
- (71) Applicant: **NIKE, Inc.**, Beaverton, OR (US)
- (72) Inventor: **Joël Ryp Greenspan**, Portland, OR (US)
- (73) Assignee: **NIKE, Inc.**, Beaverton, OR (US)
- (\*\*) Term: **15 Years**
- (21) Appl. No.: **29/548,265**
- (22) Filed: **Dec. 11, 2015**
- (51) **LOC (10) Cl.** ..... **02-04**
- (52) **U.S. Cl.**  
 USPC ..... **D2/973**
- (58) **Field of Classification Search**  
 USPC ..... D2/902, 907, 909–912, 920, 943–946,  
 D2/969, 972–974, 977, 978; D5/60  
 CPC ..... A43B 1/04; A43B 3/0078; A43B 5/06;  
 A43B 9/02; A43B 9/04; A43B 11/00;  
 A43B 23/0205; A43B 23/0245; A43B  
 23/025; A43B 23/027; A43B 23/04; A43B  
 23/042; A43B 23/24; A43B 23/25  
 See application file for complete search history.

- D676,643 S 2/2013 Lee  
 D676,647 S 2/2013 O'Connor  
 D676,648 S 2/2013 O'Connor  
 D692,224 S 10/2013 Fogg  
 D694,514 S 12/2013 Pizzuti  
 D694,516 S 12/2013 Anceresi et al.  
 D697,299 S 1/2014 Maejima  
 D700,429 S 3/2014 Miner  
 D700,767 S 3/2014 Parrett  
 D700,769 S 3/2014 Parrett  
 D703,938 S 5/2014 Petrie  
 D707,032 S 6/2014 Martin  
 D707,440 S 6/2014 Chang  
 D707,955 S 7/2014 Petrie  
 D710,585 S 8/2014 Ho et al.  
 D712,132 S 9/2014 O'Connor  
 D718,039 S 11/2014 McMillan  
 D718,040 S 11/2014 Miner  
 D731,163 S 6/2015 Williams, Jr.

(Continued)

*Primary Examiner* — Sandra Snapp  
*Assistant Examiner* — Katherine Glennon  
 (74) *Attorney, Agent, or Firm* — Banner & Witcoff, Ltd.

(57) **CLAIM**

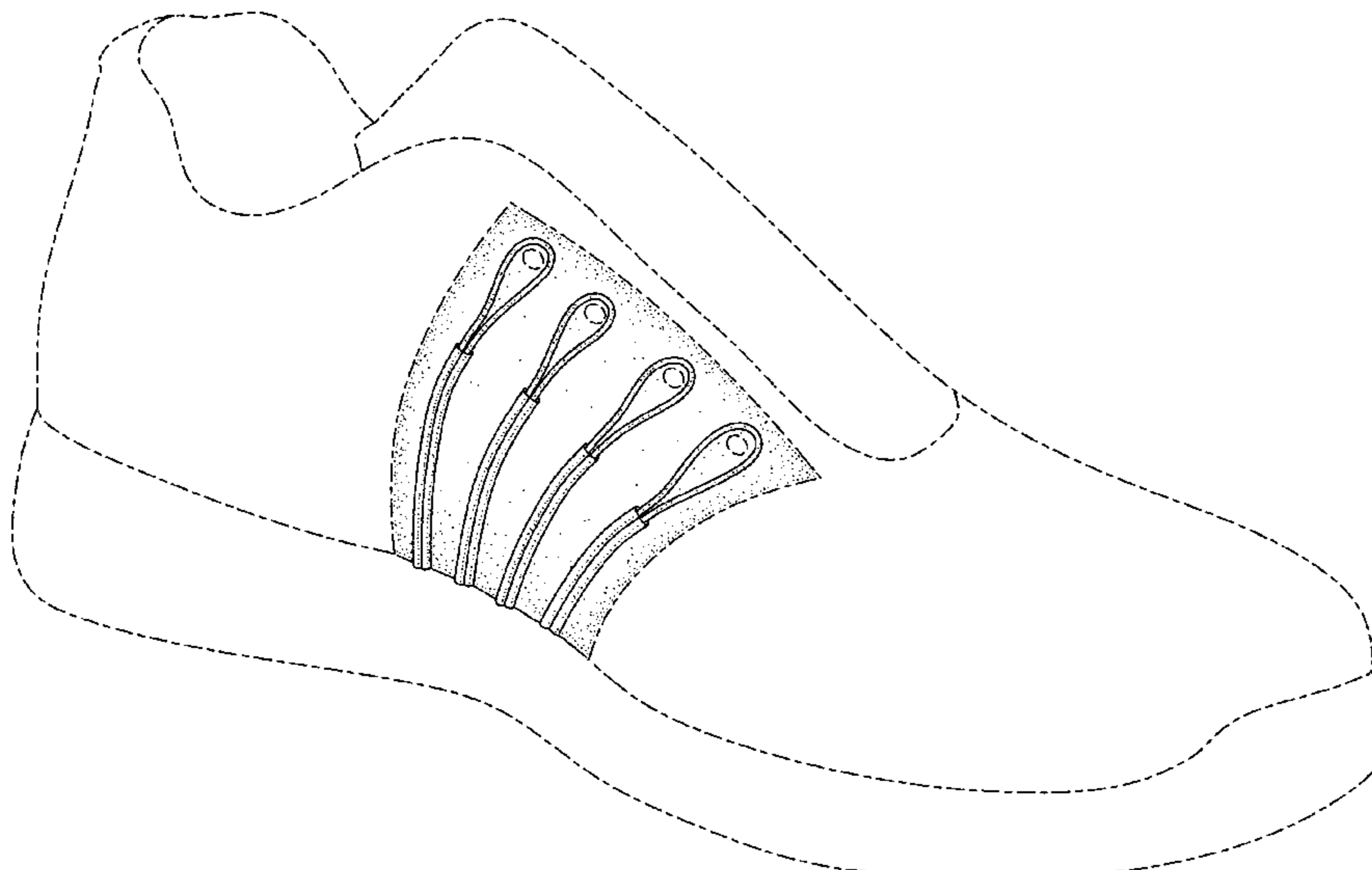
The ornamental design for a shoe upper, as shown and described.

**DESCRIPTION**

FIG. 1 is a front perspective view of a shoe upper showing my new design;  
 FIG. 2 is a side view thereof; and,  
 FIG. 3 is a rear perspective view thereof.  
 The broken lines immediately adjacent to the shaded area represent unclaimed boundaries of the design. The four unshaded regions within the shaded area that are demarcated by broken lines form no part of the claimed design. The broken lines showing the remainder of the shoe are for environmental purposes only and form no part of the claimed design.

**1 Claim, 3 Drawing Sheets**

- (56) **References Cited**
- U.S. PATENT DOCUMENTS
- D132,351 S \* 5/1942 Boothby ..... D2/973  
 D293,270 S 12/1987 Radford  
 D527,885 S \* 9/2006 Young ..... D2/972  
 D666,404 S \* 9/2012 Shaffer ..... D2/972  
 D666,405 S \* 9/2012 Shaffer ..... D2/972  
 D667,211 S 9/2012 Shaffer  
 D667,625 S 9/2012 Shaffer  
 D667,627 S 9/2012 Shaffer  
 D668,034 S 10/2012 Shaffer  
 D668,035 S \* 10/2012 Shaffer ..... D2/972  
 D672,135 S 12/2012 Williams, Jr.  
 D676,227 S 2/2013 Lee



(56)

**References Cited**

U.S. PATENT DOCUMENTS

|                   |        |             |                      |
|-------------------|--------|-------------|----------------------|
| D737,563 S *      | 9/2015 | Link .....  | D2/973               |
| D762,965 S *      | 8/2016 | Miner ..... | D2/973               |
| 2010/0154256 A1 * | 6/2010 | Dua .....   | A43B 1/04<br>36/25 R |
| 2010/0175276 A1 * | 7/2010 | Dojan ..... | A43B 3/26<br>36/47   |

\* cited by examiner

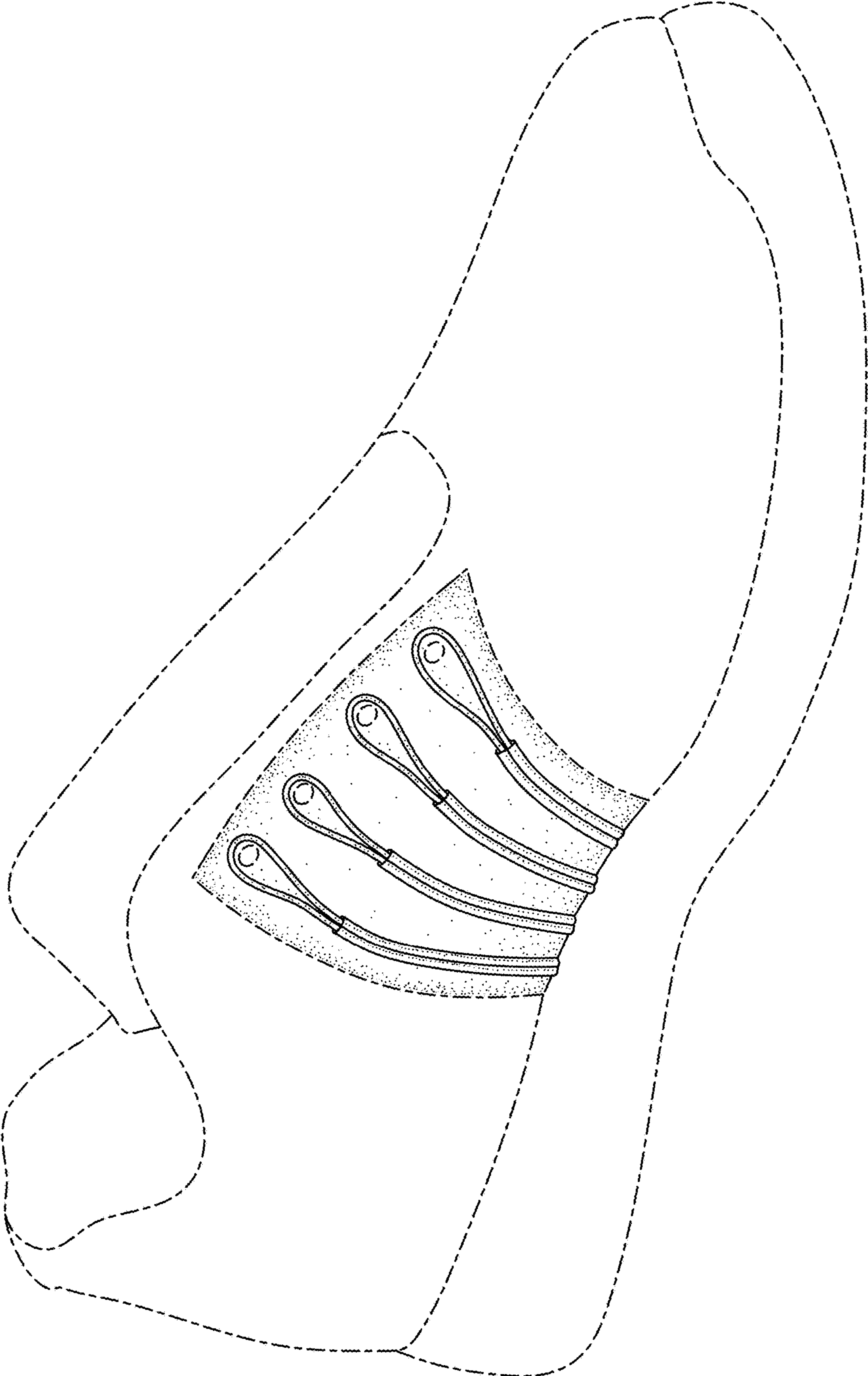


FIG.1

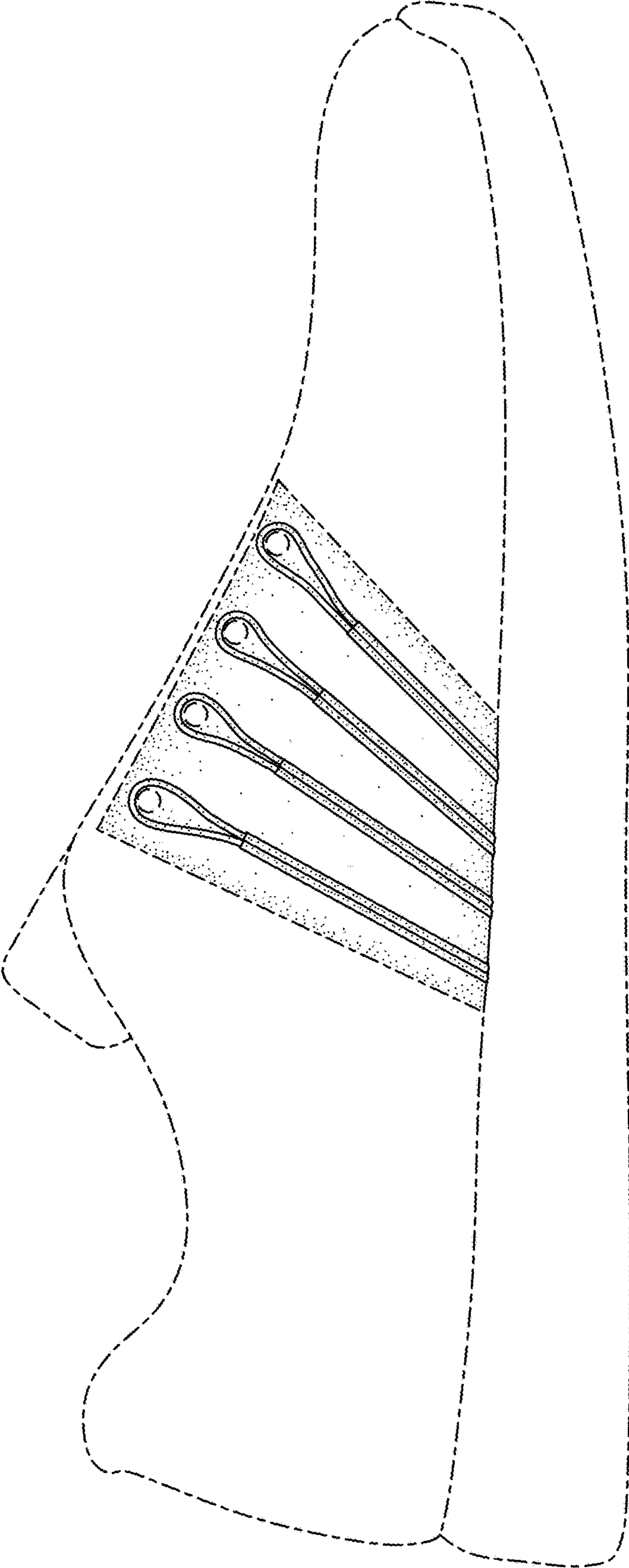


FIG. 2

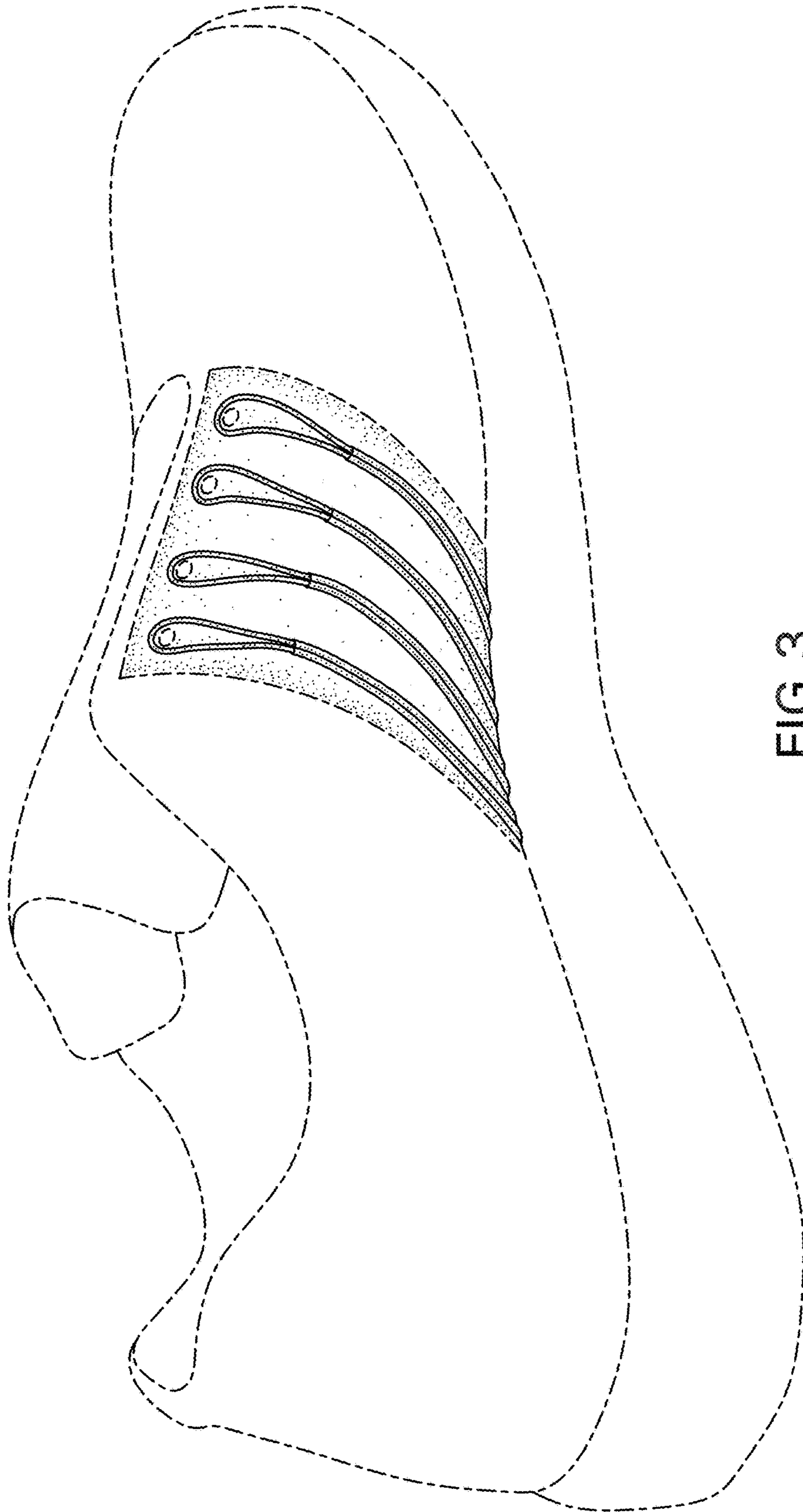


FIG. 3