



US00D799172S

(12) **United States Design Patent**
Groves Hill

(10) **Patent No.:** **US D799,172 S**

(45) **Date of Patent:** **** Oct. 10, 2017**

(54) **SHOE HEEL**

(71) Applicant: **Jessica Sharmaine Groves Hill**,
Oakwood Village, OH (US)

(72) Inventor: **Jessica Sharmaine Groves Hill**,
Oakwood Village, OH (US)

(**) Term: **15 Years**

(21) Appl. No.: **29/587,738**

(22) Filed: **Dec. 15, 2016**

(51) **LOC (10) Cl.** **02-04**

(52) **U.S. Cl.**
USPC **D2/915; D2/965**

(58) **Field of Classification Search**
USPC D2/896, 909, 910, 914, 915, 925, 926,
D2/927, 946, 964, 965, 966; 36/72 B,
36/72 R, 73, 71.5, 7.1 R, 58.6, 136, 132
CPC A43B 5/007; A43B 23/00; A43B 23/30
See application file for complete search history.

(56) **References Cited**

U.S. PATENT DOCUMENTS

1,770,261	A *	7/1930	Barthes	A43B 5/007
					36/72 B
1,816,784	A *	7/1931	McDermott	A43B 5/007
					36/72 B
1,819,962	A *	8/1931	Mazerock	A43B 3/166
					36/72 B
D169,716	S *	5/1953	Walsh	D2/966
D171,476	S *	2/1954	Alberts	D2/915
3,025,617	A *	3/1962	Rizzonelli	A43B 5/007
					36/72 B

D194,204	S *	12/1962	Taicher	36/34 R
D563,638	S *	3/2008	Guers-Neyrud	D2/965
D591,033	S *	4/2009	Patterson	D2/915
D605,840	S *	12/2009	Schwartz	D2/965
D632,469	S *	2/2011	Guers-Neyraud	D2/965
D647,291	S *	10/2011	Ringholz	D2/965
D665,980	S *	8/2012	Ruano Cerdan	D2/965
D716,538	S *	11/2014	Wang	D2/965
D728,211	S *	5/2015	Kirkwood	D2/965
9,301,575	B2 *	4/2016	Hwang	A43B 21/265
D790,168	S *	6/2017	Daniel	D2/915

* cited by examiner

Primary Examiner — Elizabeth J Oswecki

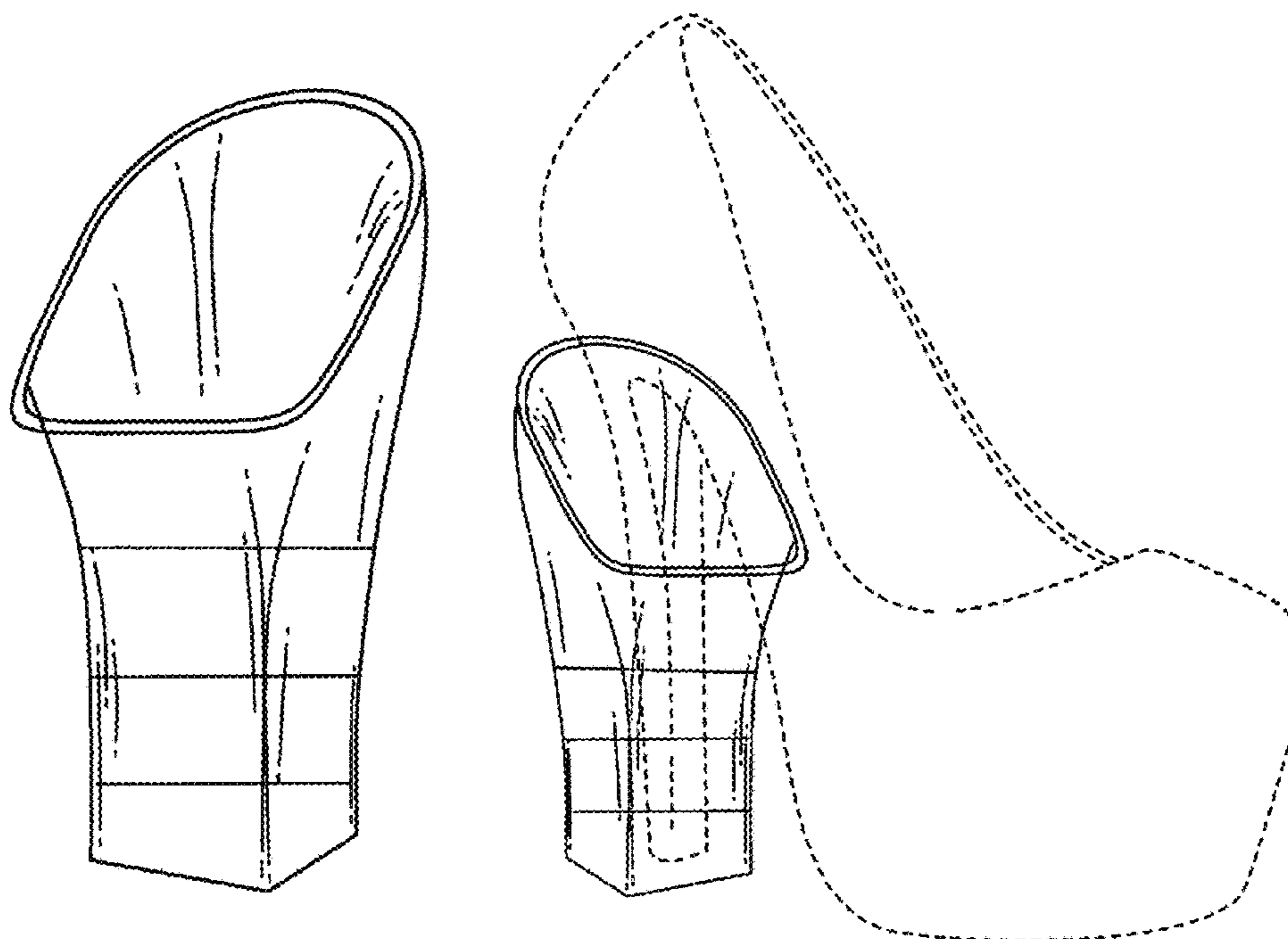
(57) **CLAIM**

The ornamental design for a shoe heel, as shown and described.

DESCRIPTION

FIG. 1 is a top view of a shoe heel showing my new design; FIG. 2 is a right side view thereof; FIG. 3 is a bottom view thereof; FIG. 4 is a left side view thereof; FIG. 5 is a front view thereof; FIG. 6 is a rear view thereof; FIG. 7 is a perspective view thereof; and, FIG. 8 is another perspective view thereof, shown in a used condition with a shoe shown in broken lines. The broken line portion of FIG. 8 is included to show unclaimed environmental subject matter only and form no part of the claimed design.

1 Claim, 6 Drawing Sheets



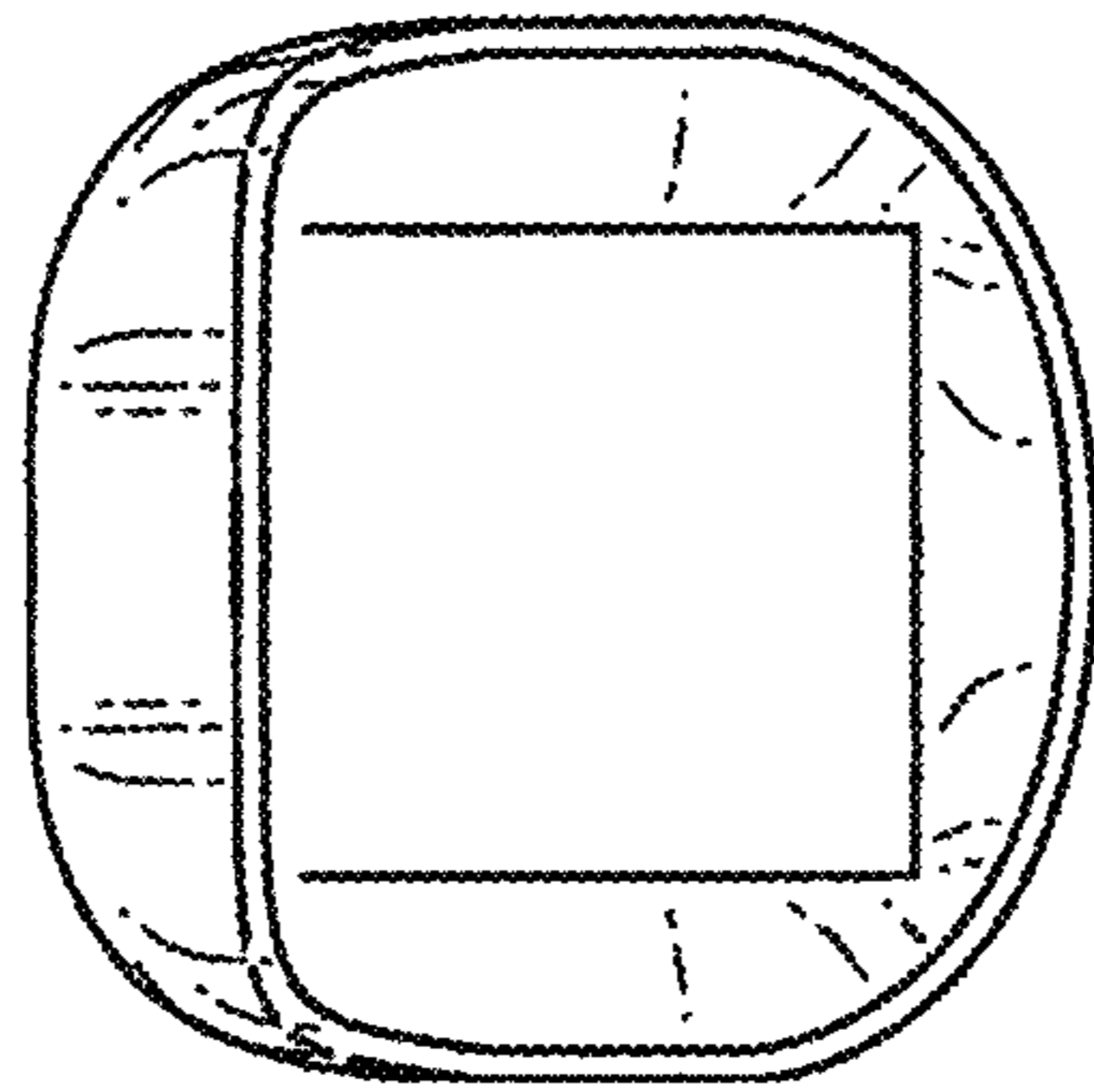


FIG. 1

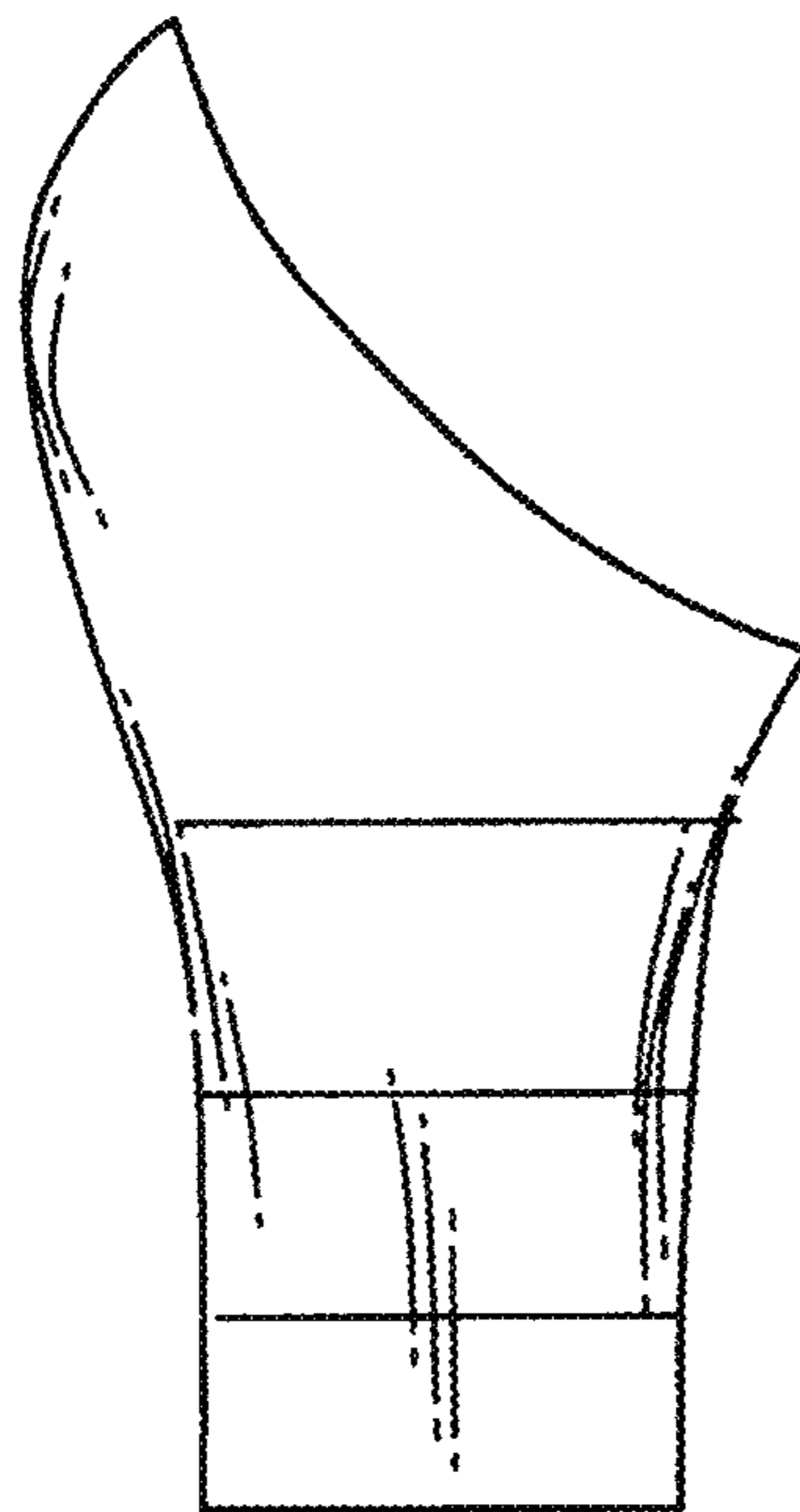


FIG. 2

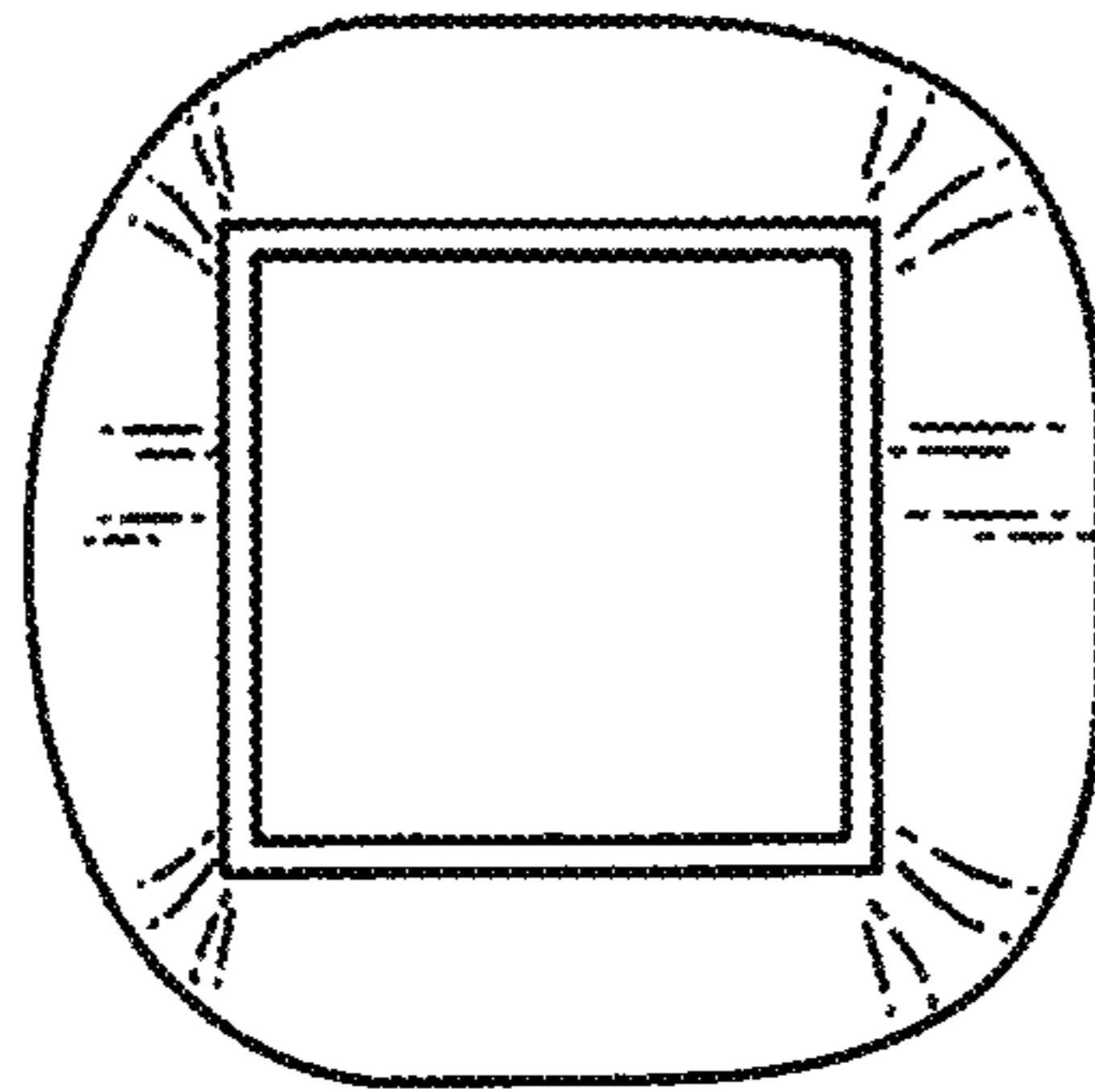


FIG. 3

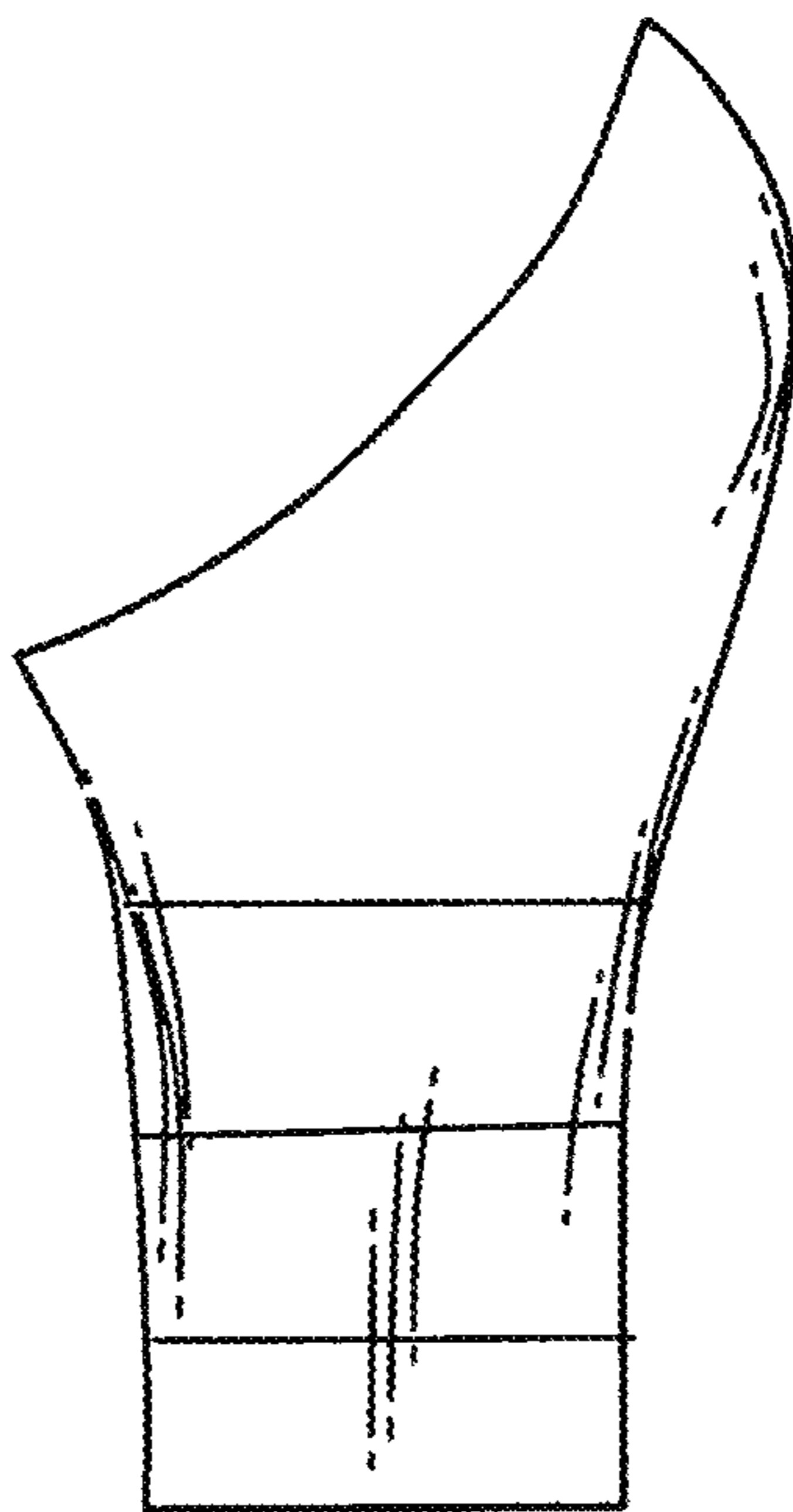


FIG. 4

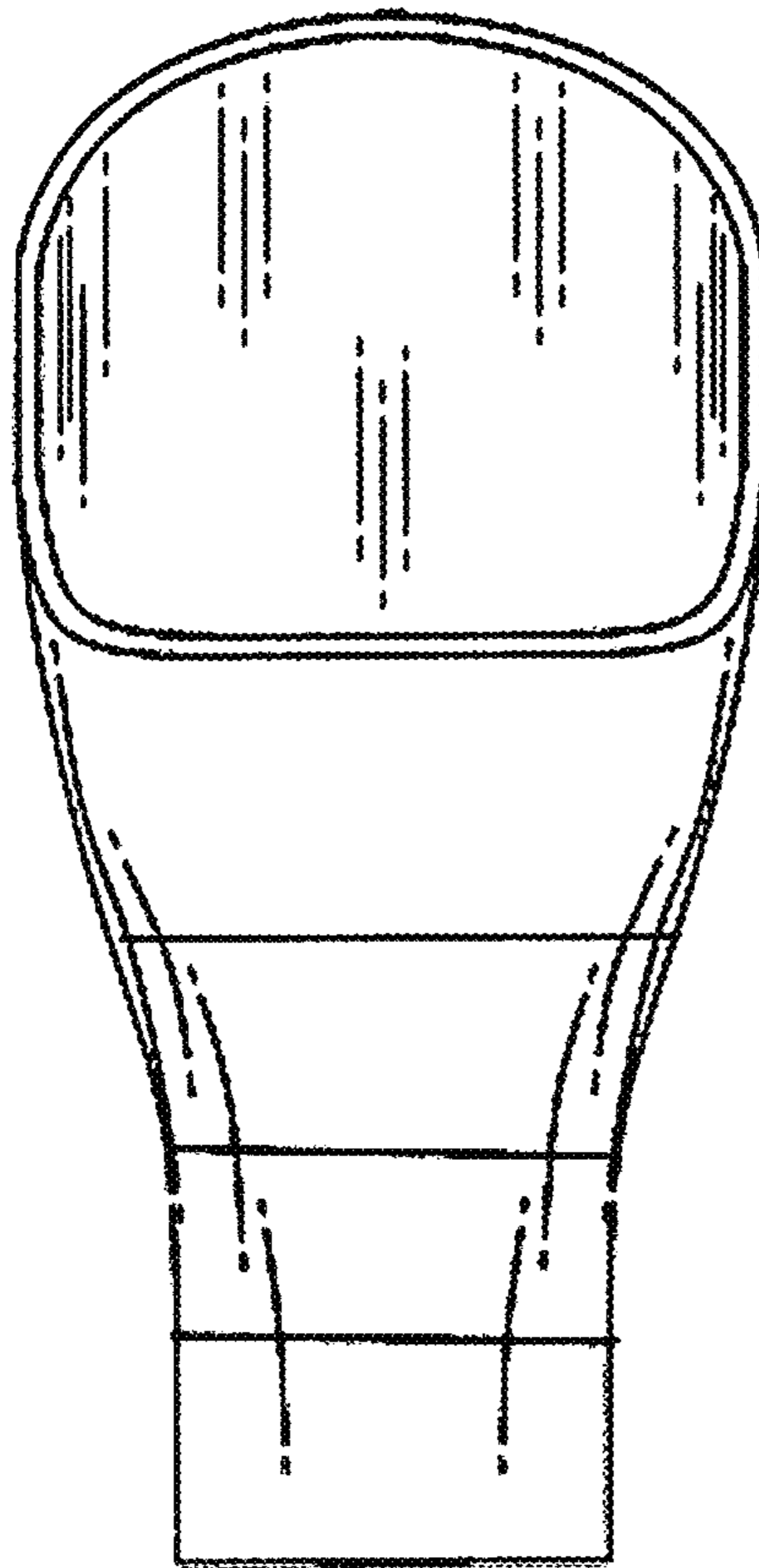


FIG. 5

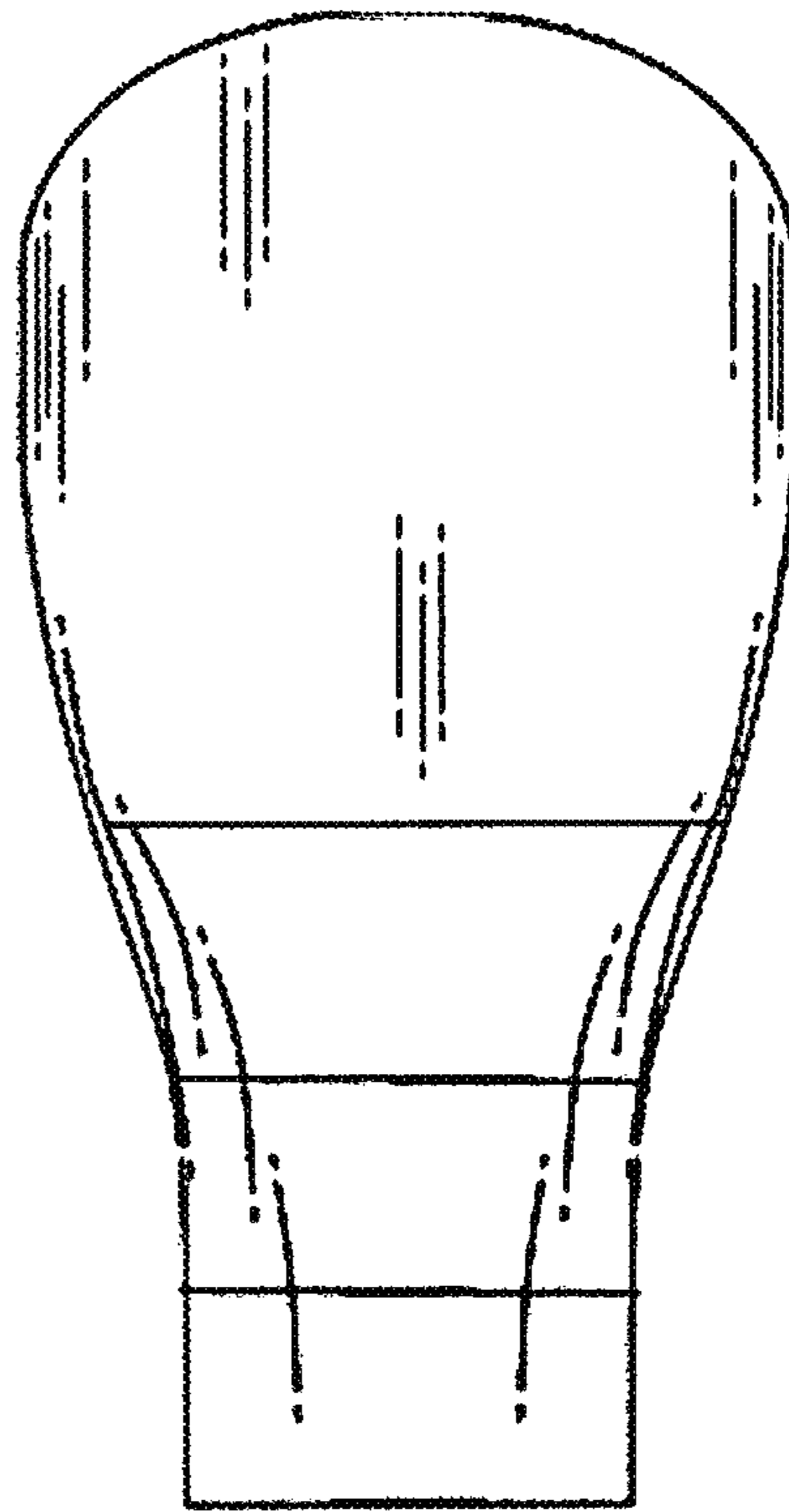


FIG. 6

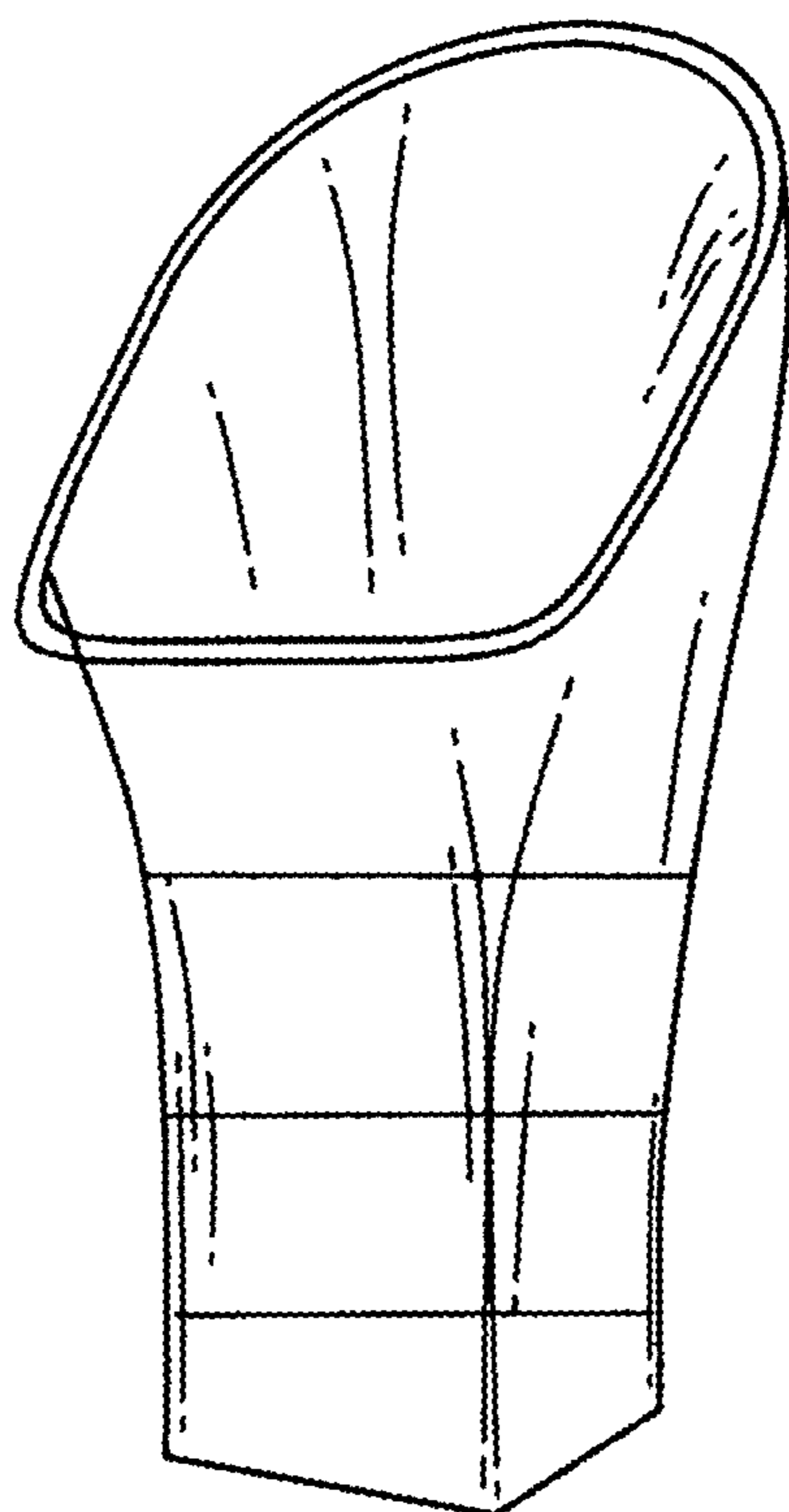


FIG. 7

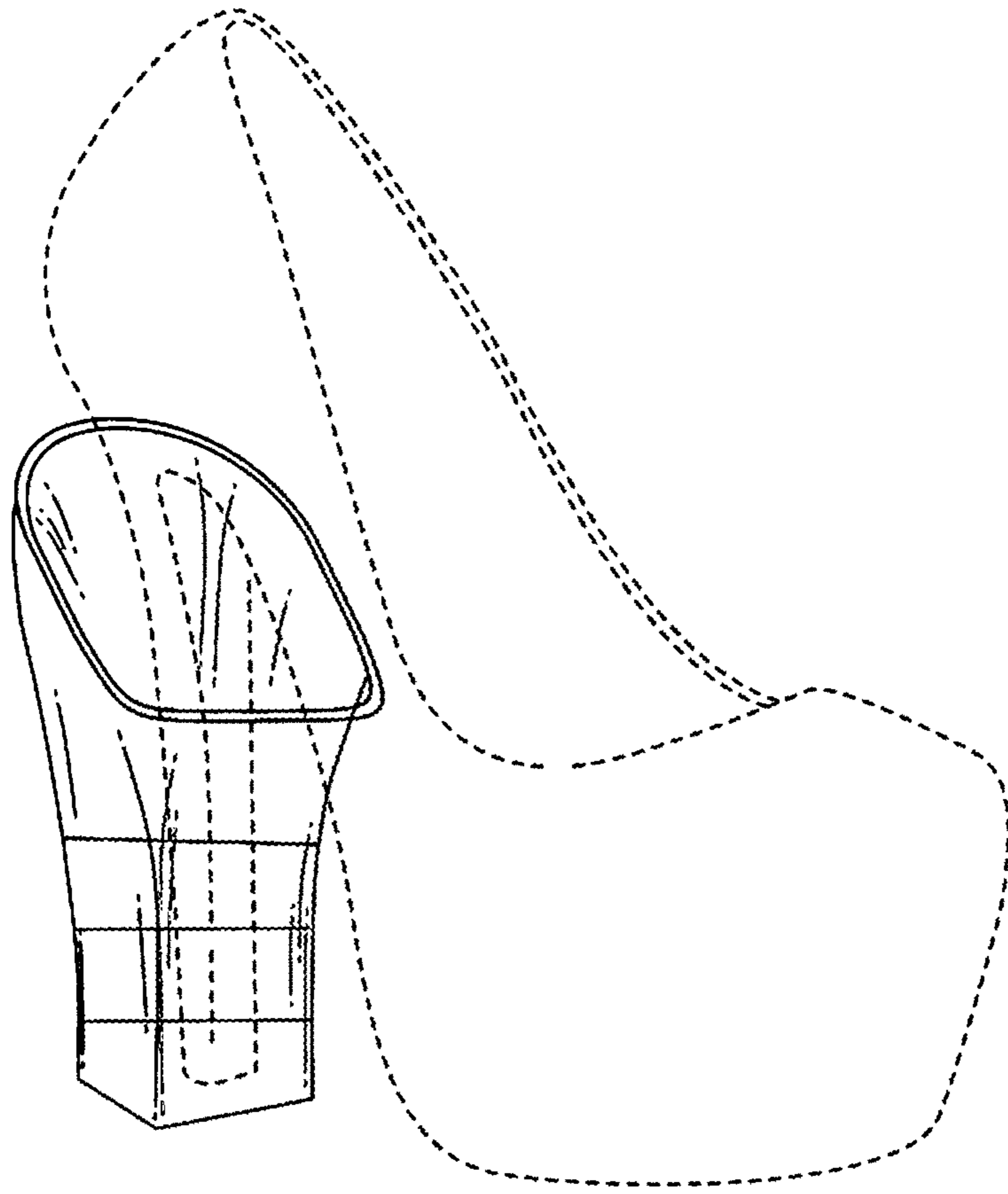


FIG. 8