



US00D799159S

(12) **United States Design Patent**  
**Kennedy et al.**

(10) **Patent No.:** **US D799,159 S**

(45) **Date of Patent:** **\*\* Oct. 10, 2017**

(54) **OBESITY SIMULATION SHIRT**

(71) Applicant: **ERITER CREATIONS INC.**, Stirling (CA)

(72) Inventors: **Karen Kennedy**, Stirling (CA);  
**Colleen Ward**, Stirling (CA)

(\*\*) Term: **15 Years**

(21) Appl. No.: **29/572,143**

(22) Filed: **Jul. 25, 2016**

(30) **Foreign Application Priority Data**

Jun. 22, 2016 (CA) ..... 169209

(51) **LOC (10) Cl.** ..... **02-02**

(52) **U.S. Cl.**  
USPC ..... **D2/741**

(58) **Field of Classification Search**  
USPC ..... D2/741, 631, 632, 728, 734, 753, 777,  
D2/778, 840, 844, 999; D21/604, 621;  
D11/160

CPC .. A41D 13/00; A41D 13/015; A41D 13/1107;  
A41D 13/1245; A41D 13/1263; A63H  
33/004; A62H 3/02

See application file for complete search history.

(56) **References Cited**

**U.S. PATENT DOCUMENTS**

2,389,152 A \* 11/1945 Keeler ..... A41D 13/00  
2/16  
D375,335 S \* 11/1996 Stone ..... D11/160

D379,109 S \* 5/1997 Van Gendt ..... D2/718  
D457,288 S \* 5/2002 Westman ..... D2/719  
D491,341 S \* 6/2004 Stanley ..... D2/741  
D493,945 S \* 8/2004 Bourget ..... D2/741  
D527,511 S \* 9/2006 Bourget ..... D2/741  
D562,531 S \* 2/2008 Lopez ..... D2/741  
D682,150 S \* 5/2013 de Vries ..... D11/160  
D758,046 S \* 6/2016 Grant ..... D2/741  
2009/0172862 A1 \* 7/2009 Sheward ..... A41D 13/1245  
2/114

\* cited by examiner

*Primary Examiner* — Robin V Webster

*Assistant Examiner* — James C Thorn, Sr.

(57) **CLAIM**

We claim the ornamental design for an obesity simulation shirt, as shown and described.

**DESCRIPTION**

FIG. 1 is a top plan view of the obesity simulation shirt; FIG. 2 is a front elevation view of the obesity simulation shirt shown in FIG. 1;

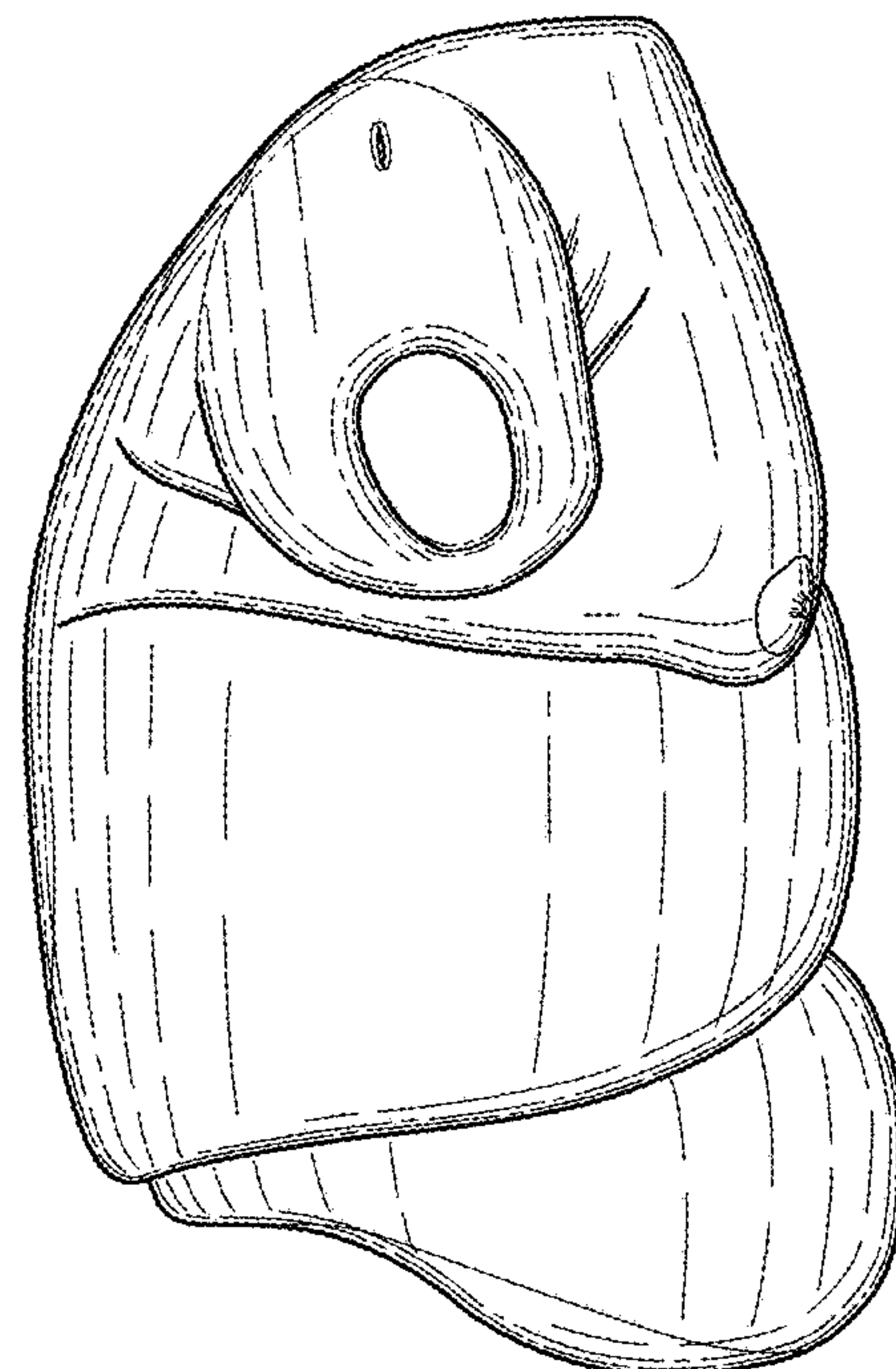
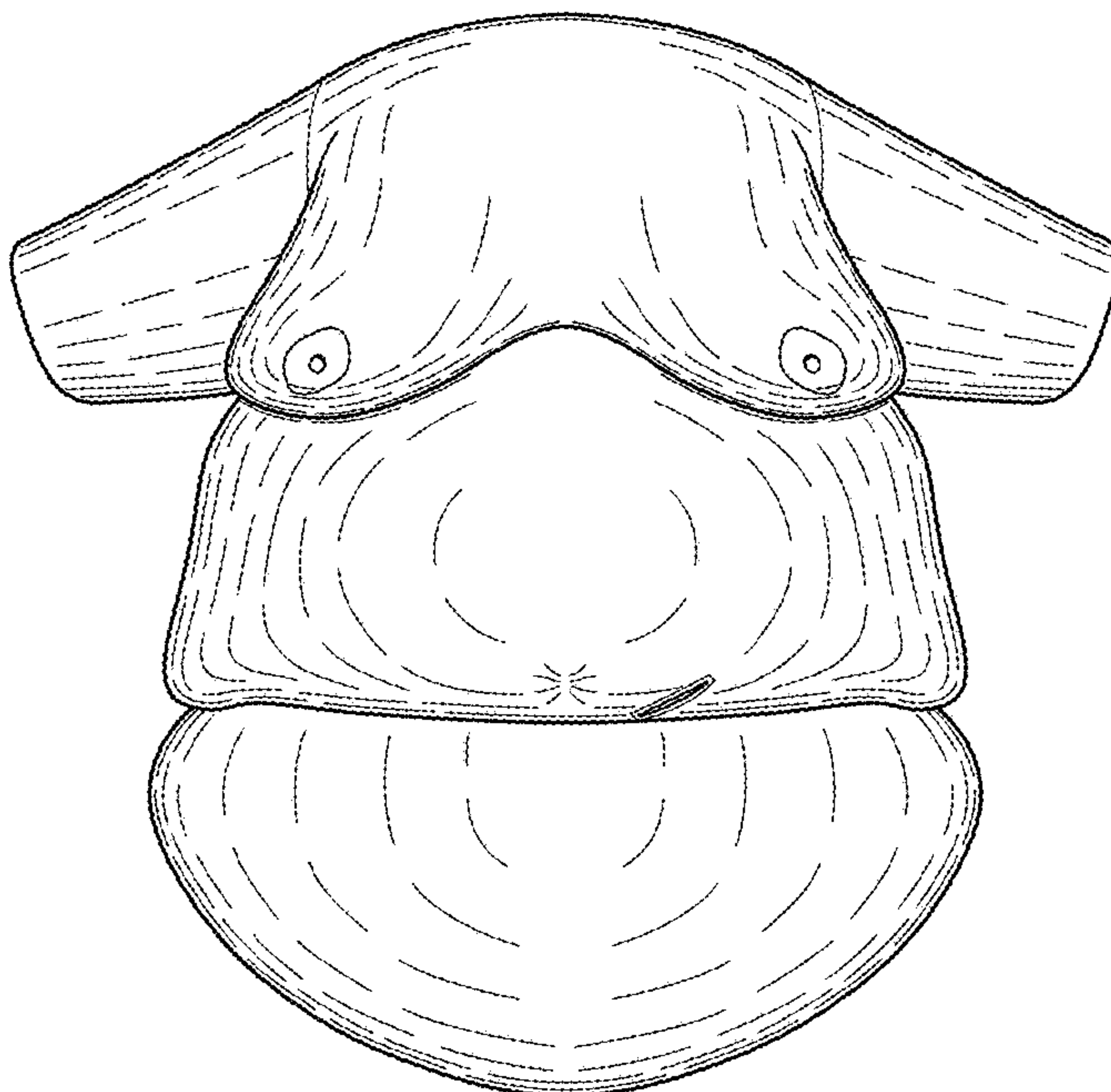
FIG. 3 is a rear elevation view of the obesity simulation shirt shown in FIG. 1;

FIG. 4 is a bottom plan view of the obesity simulation shirt shown in FIG. 1;

FIG. 5 is a right side elevation view of the obesity simulation shirt shown in FIG. 1; and,

FIG. 6 is a left side elevation view of the obesity simulation shirt shown in FIG. 1.

**1 Claim, 4 Drawing Sheets**



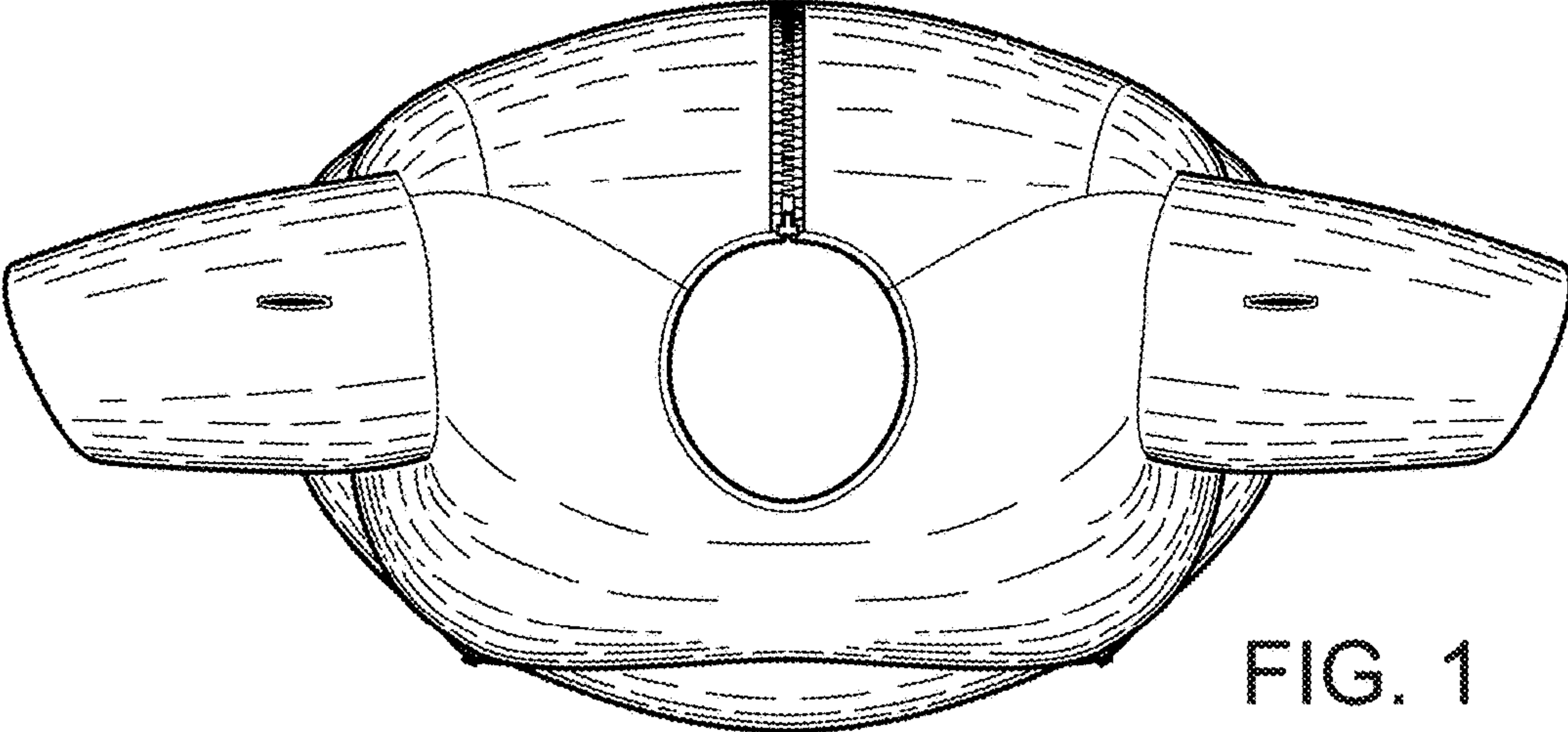


FIG. 1

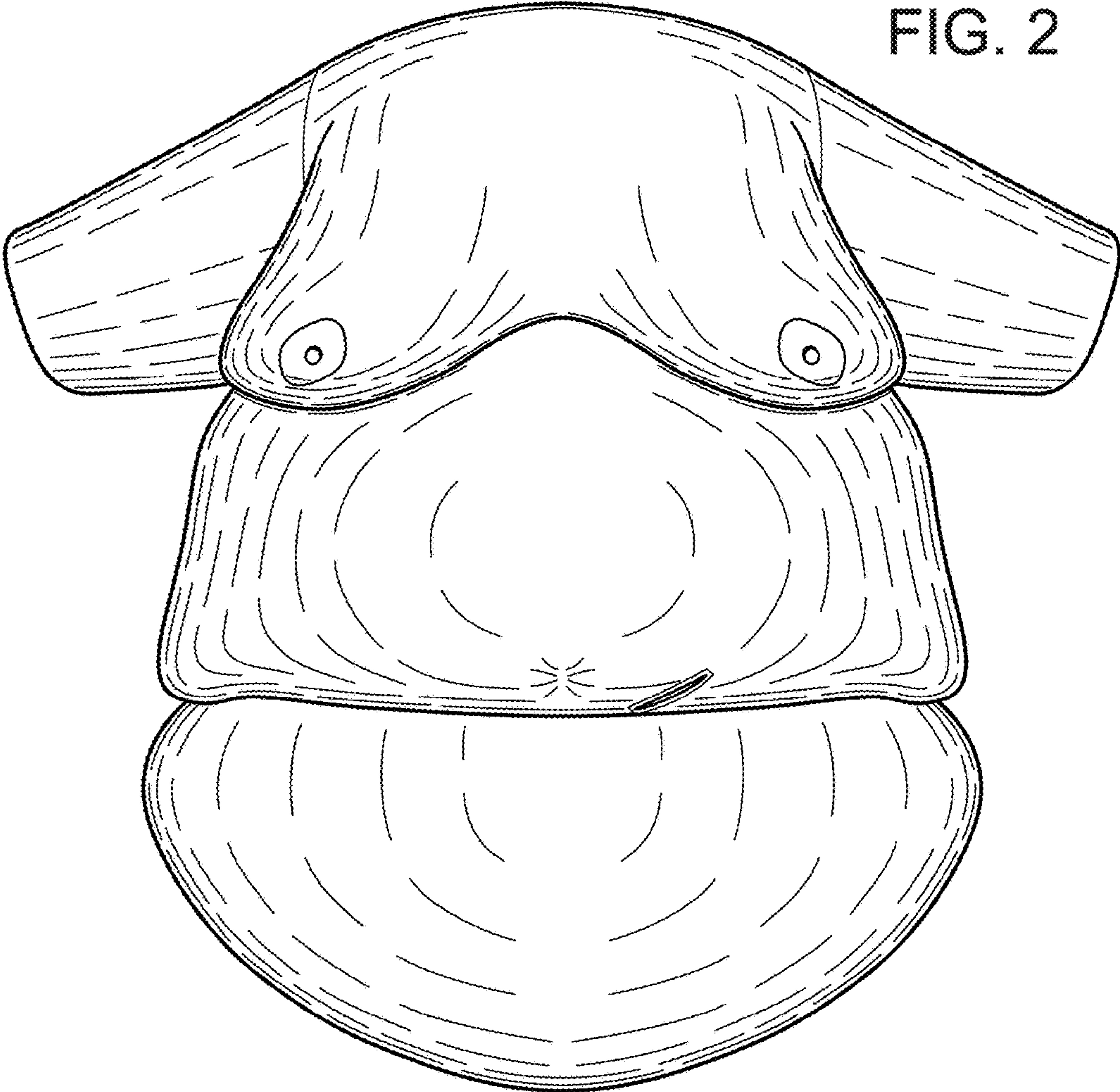


FIG. 2



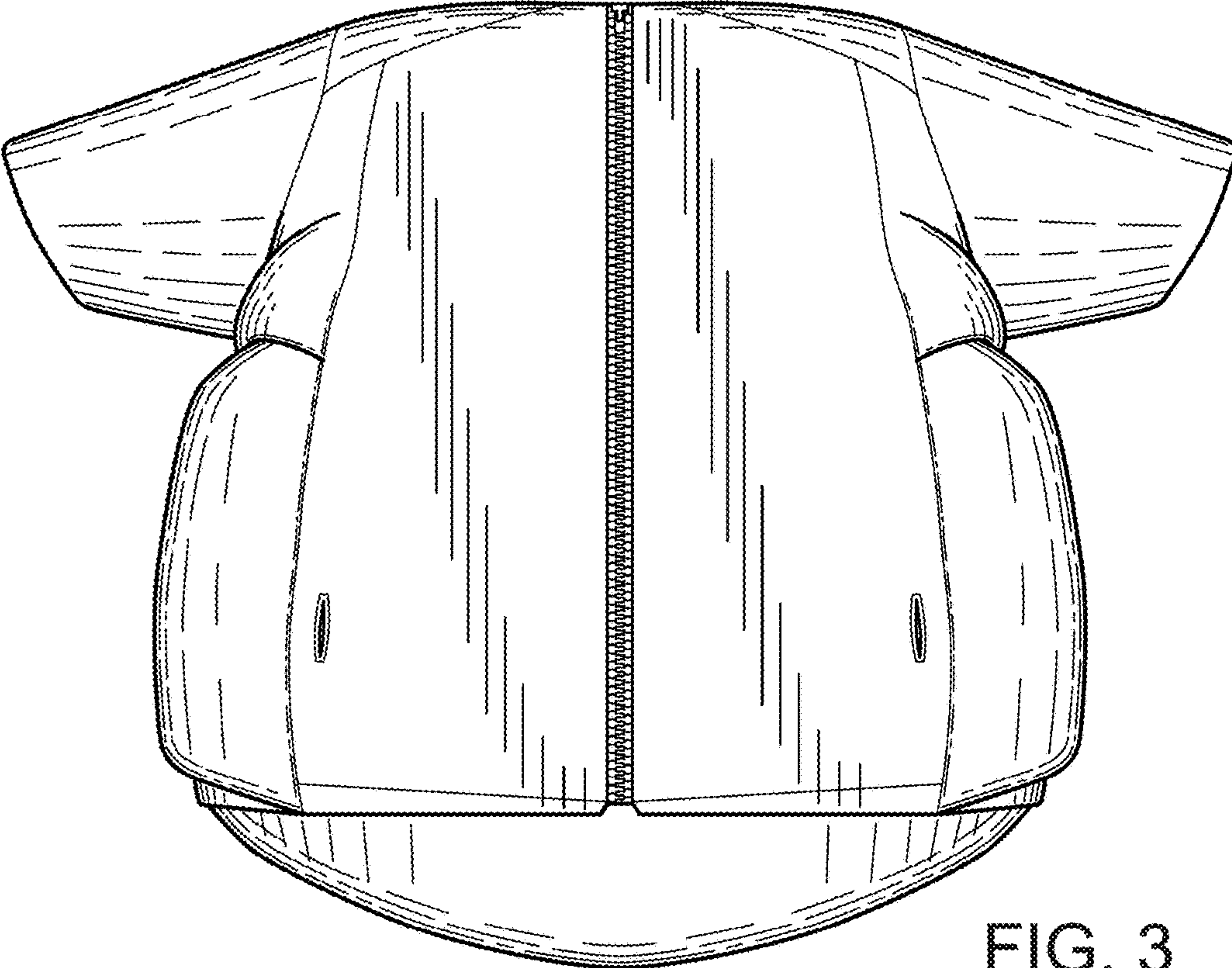


FIG. 3

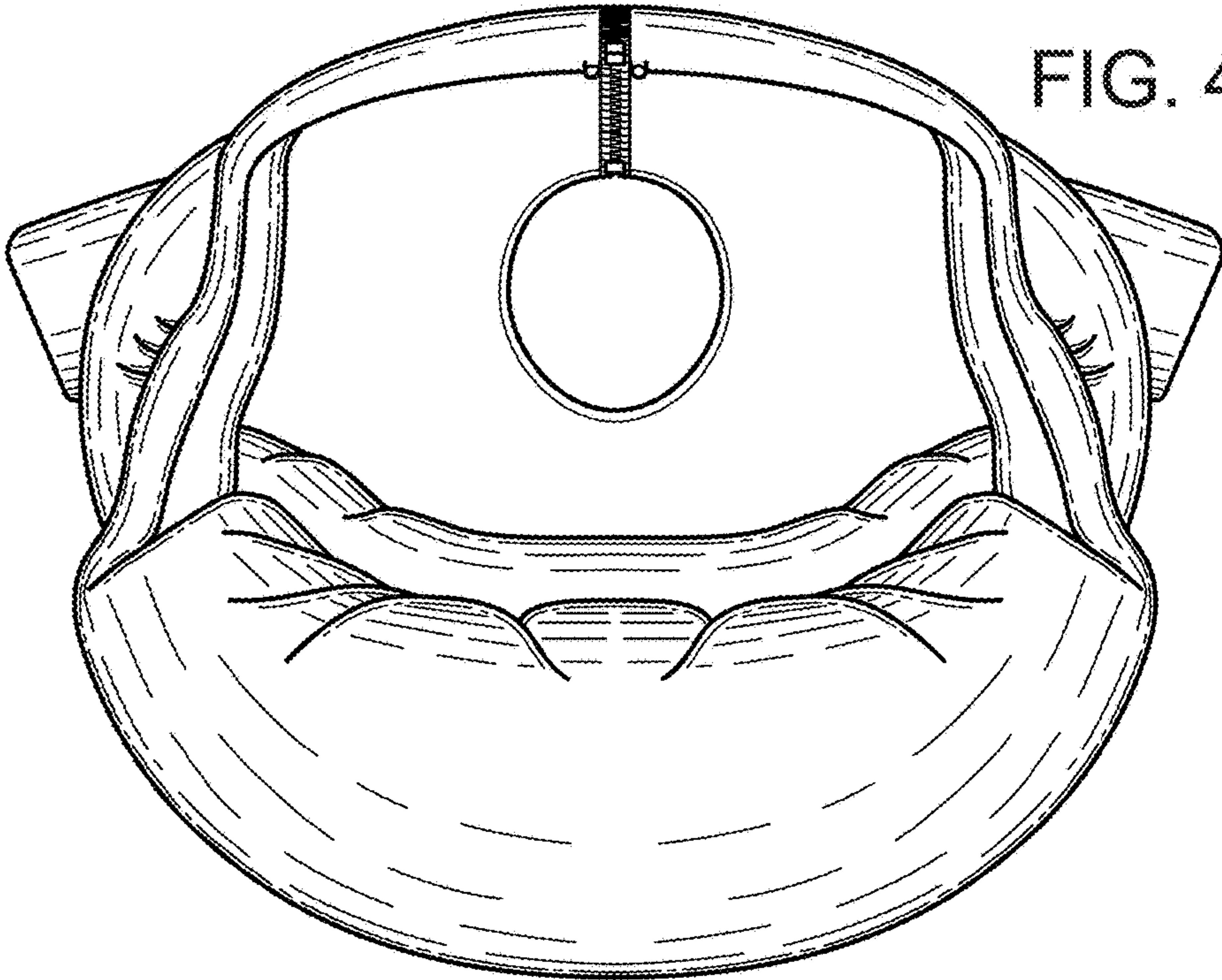


FIG. 4

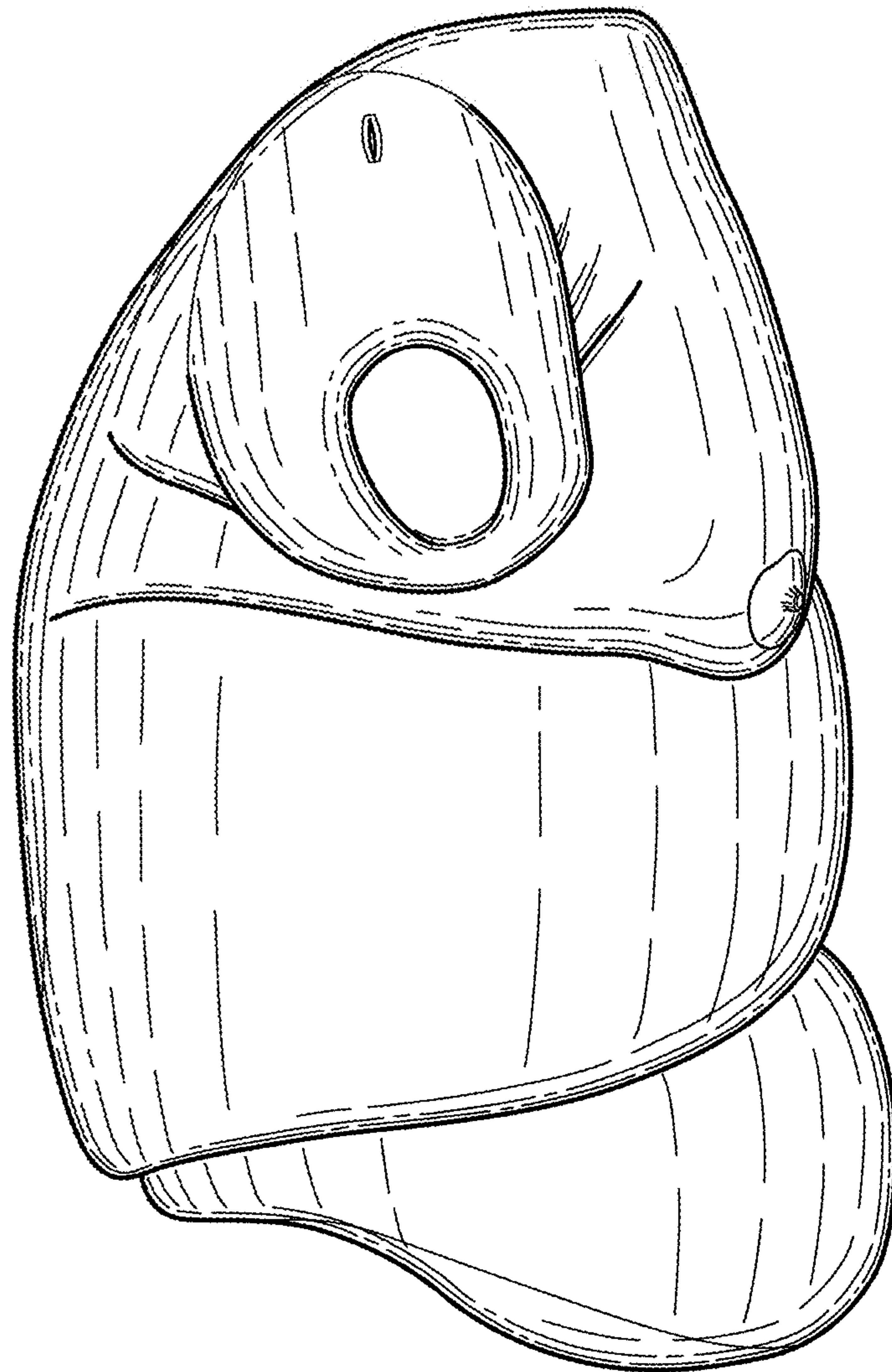


FIG. 5

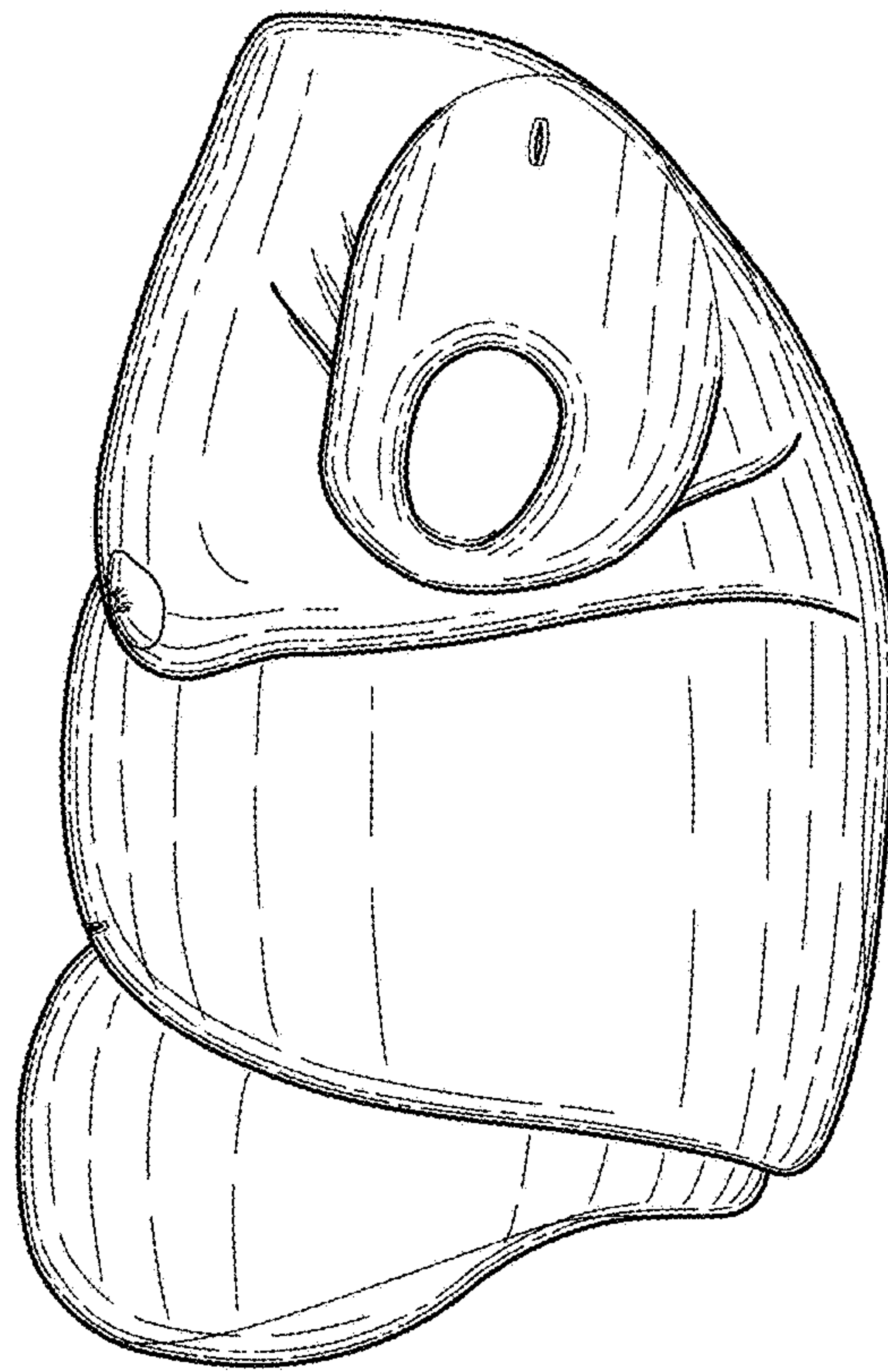


FIG. 6