



US00D799149S

(12) **United States Design Patent**
Chafetz

(10) **Patent No.:** **US D799,149 S**
(45) **Date of Patent:** **** Oct. 3, 2017**

- (54) **SECURITY BOX**
- (71) Applicant: **Samuel D. Chafetz**, Memphis, TN
(US)
- (72) Inventor: **Samuel D. Chafetz**, Memphis, TN
(US)
- (**) Term: **15 Years**
- (21) Appl. No.: **29/572,925**
- (22) Filed: **Aug. 1, 2016**
- (51) **LOC (10) Cl.** **06-04**
- (52) **U.S. Cl.**
USPC **D99/28**
- (58) **Field of Classification Search**
USPC D99/29, 34, 35, 36, 37, 38, 39, 40, 41,
D99/42, 43, 28; D14/900, 901, 902, 307;
109/1 V; 232/4 R; D9/414, 423, 424;
D7/351; D3/273, 292, 304, 323, 201,
D3/302; D18/3.1, 3.2, 3.3; D8/334;
D15/9.1, 9.2; D10/42; D25/16
CPC G07F 19/20; G07F 19/202; G07F 19/203;
G07F 19/204; G07F 19/205; G07F
19/207; G06Q 20/1085; A47B 43/00
See application file for complete search history.

(56) **References Cited**

U.S. PATENT DOCUMENTS

- 392,682 A * 11/1888 McNamara B65D 21/086
109/45
- 1,367,248 A * 2/1921 Goldman A47F 3/145
190/19
- 1,377,449 A * 5/1921 Wege E04C 1/40
109/47
- 1,437,001 A * 11/1922 Marshall E05G 1/026
292/243
- 1,994,159 A * 3/1935 Wurzburg A47B 87/02
206/425
- 2,104,828 A * 1/1938 Brinnon B65D 5/48048
206/278

- 3,313,465 A * 4/1967 Geisler B65D 5/14
229/122.24
- 3,318,508 A * 5/1967 Buttery B65D 5/5415
229/122
- 4,145,978 A * 3/1979 Johnson E05B 65/02
109/59 R
- 4,667,491 A * 5/1987 Lokken E05G 1/005
70/18
- D328,399 S * 8/1992 McGrory 232/4 R
- D376,246 S * 12/1996 Sugawara D99/28
- D527,901 S * 9/2006 Selsted D3/302
- D539,138 S * 3/2007 Mittelstaedt D3/294
- 7,401,482 B1 * 7/2008 Shaw A45C 1/12
109/45

(Continued)

OTHER PUBLICATIONS

Linen Drop-Front Shoe Box , no date available, [online], [site visited Jul. 6, 2017]. Retrieved from url:https://www.containerstore.com/s/closet/storage-boxes-bins/linen-drop-front-shoe-box/12d?productId=10029670.*

Primary Examiner — Jeffrey D Asch
Assistant Examiner — Tracey J Bell
(74) *Attorney, Agent, or Firm* — Thomas I Horstemeyer, LLP

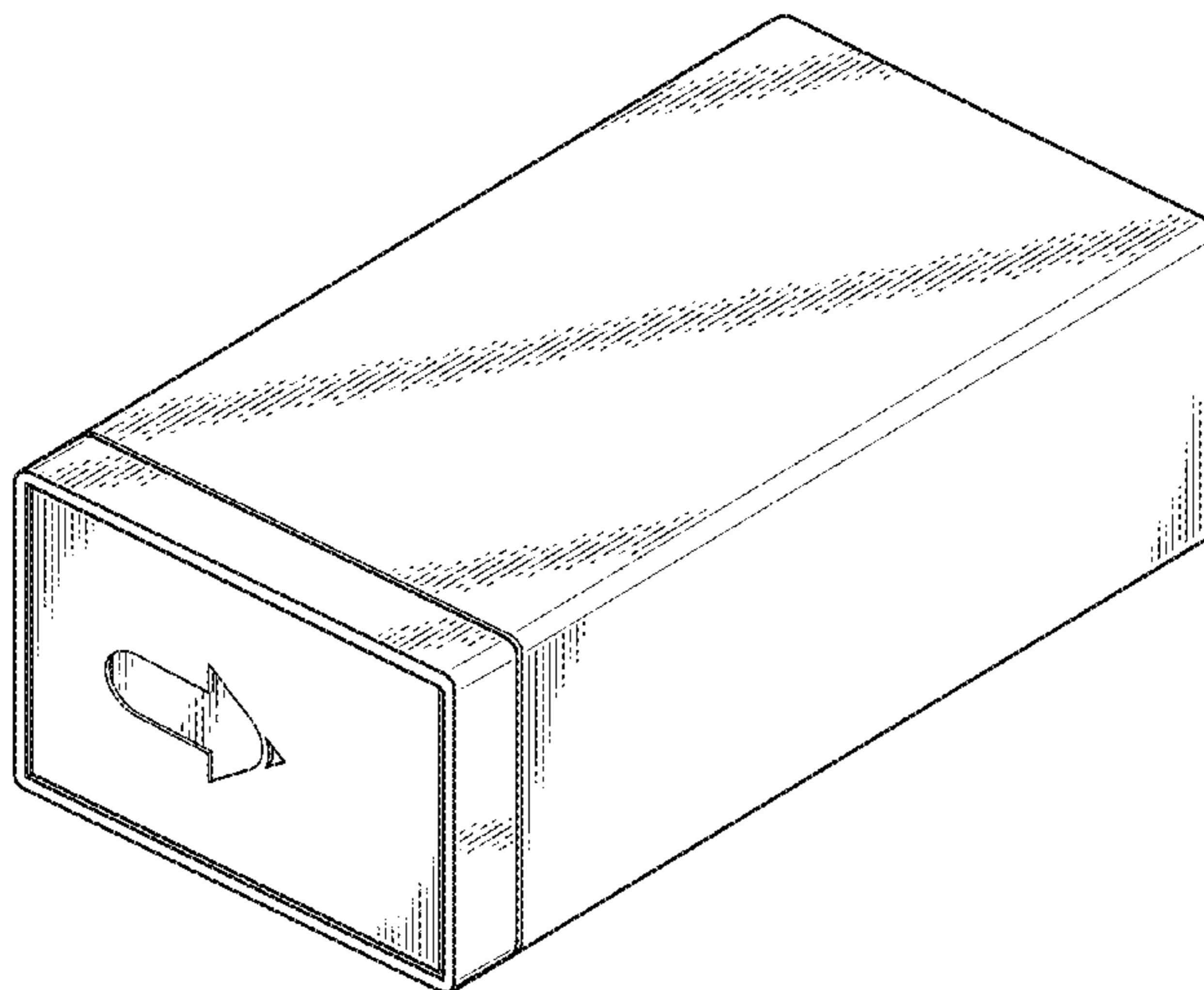
(57) **CLAIM**

The ornamental design for a security box, as shown and described.

DESCRIPTION

FIG. 1 is a perspective view showing my new security box; FIG. 2 is a left side view thereof; FIG. 3 is a right view thereof; FIG. 4 is a front view thereof; FIG. 5 is a rear view thereof; FIG. 6 is a top side view thereof; and, FIG. 7 the bottom side view thereof.

1 Claim, 5 Drawing Sheets



(56)

References Cited

U.S. PATENT DOCUMENTS

D721,759 S * 1/2015 Siegel D19/73
D740,026 S * 10/2015 Yamamoto D3/297

* cited by examiner

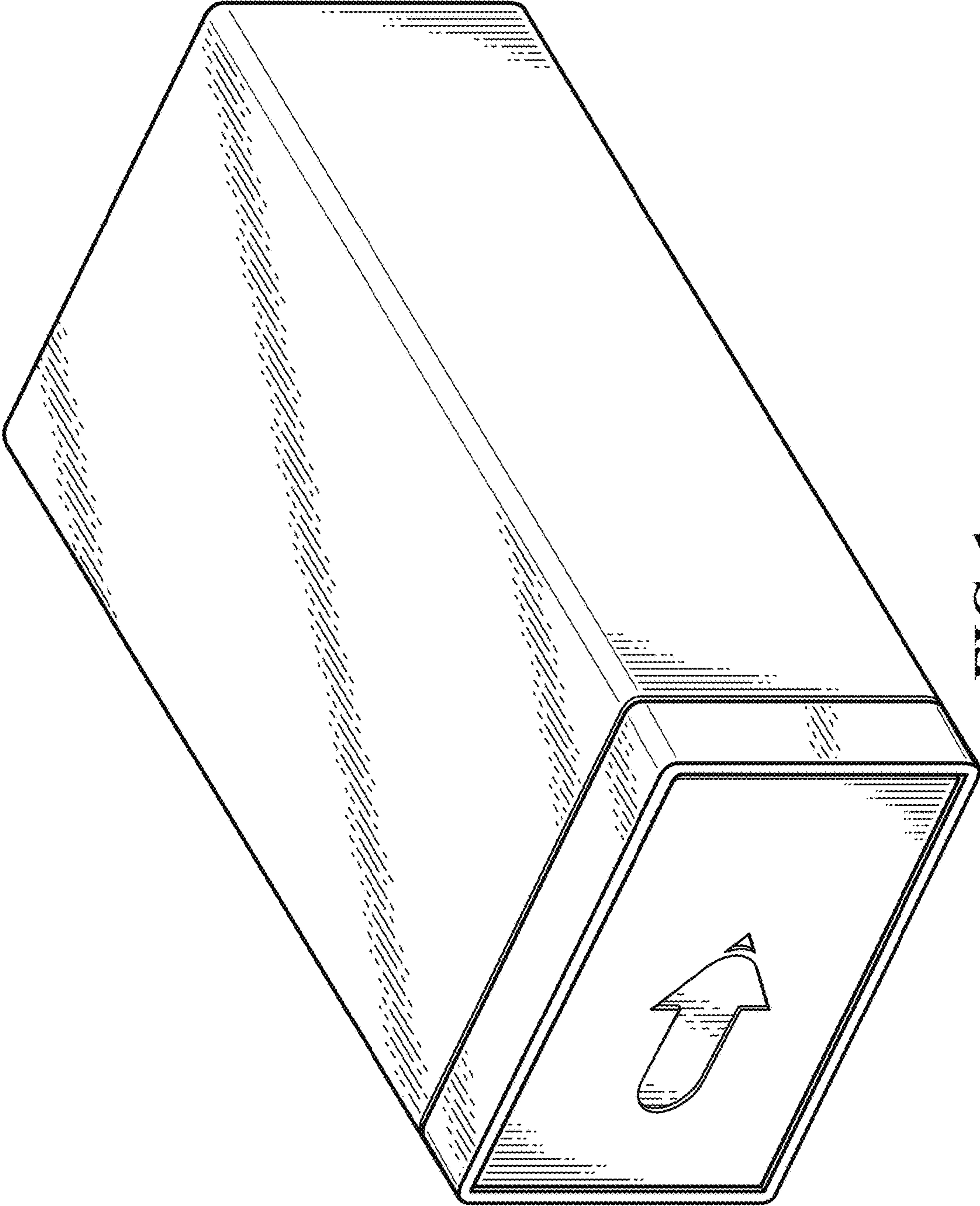


FIG. 1

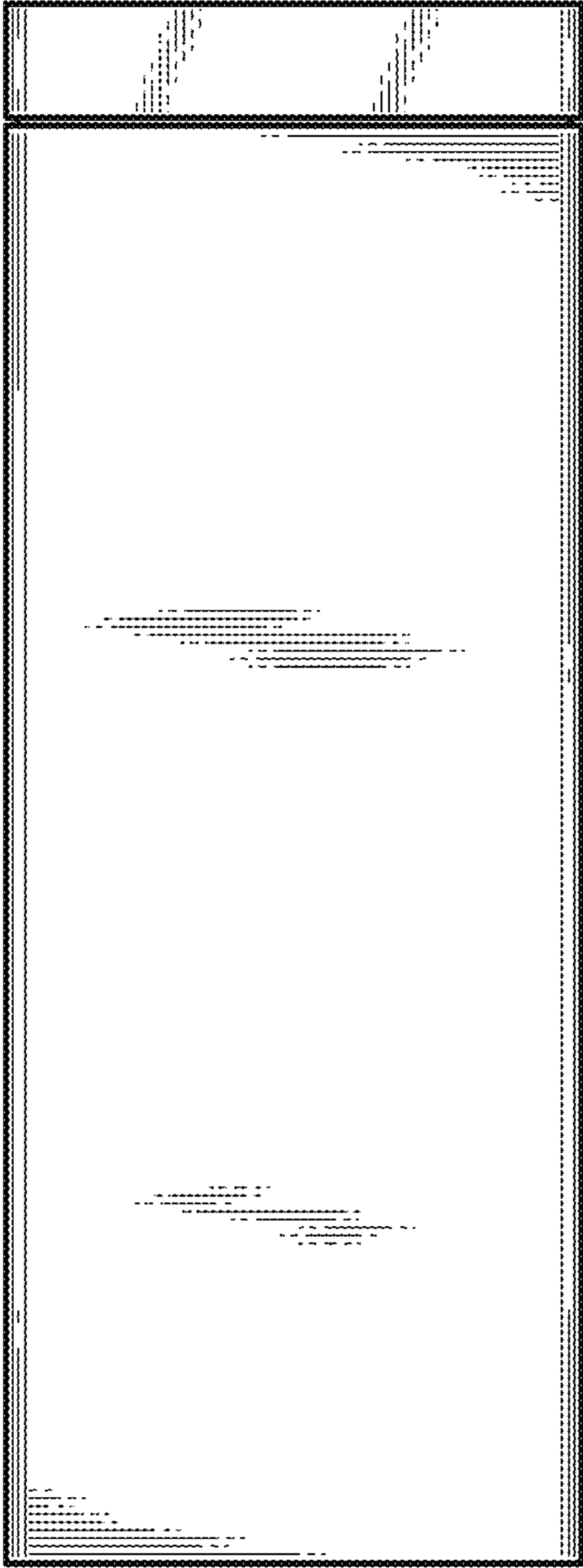


FIG. 2

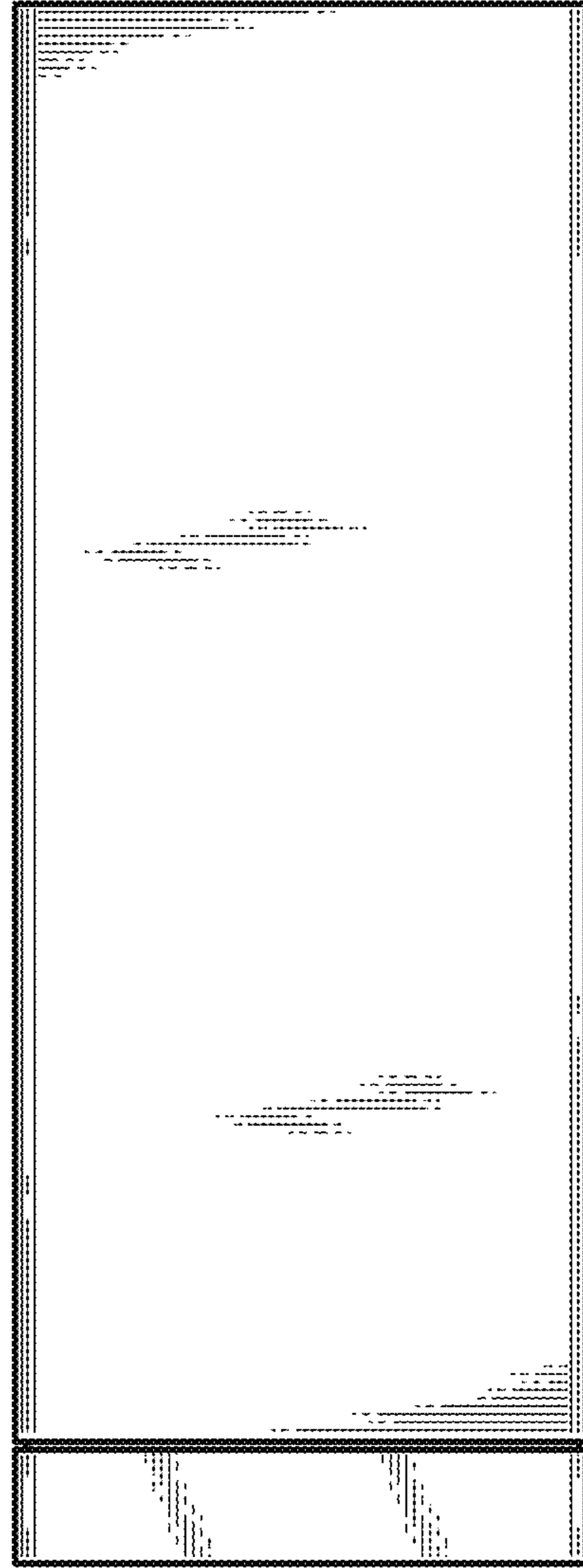


FIG. 3

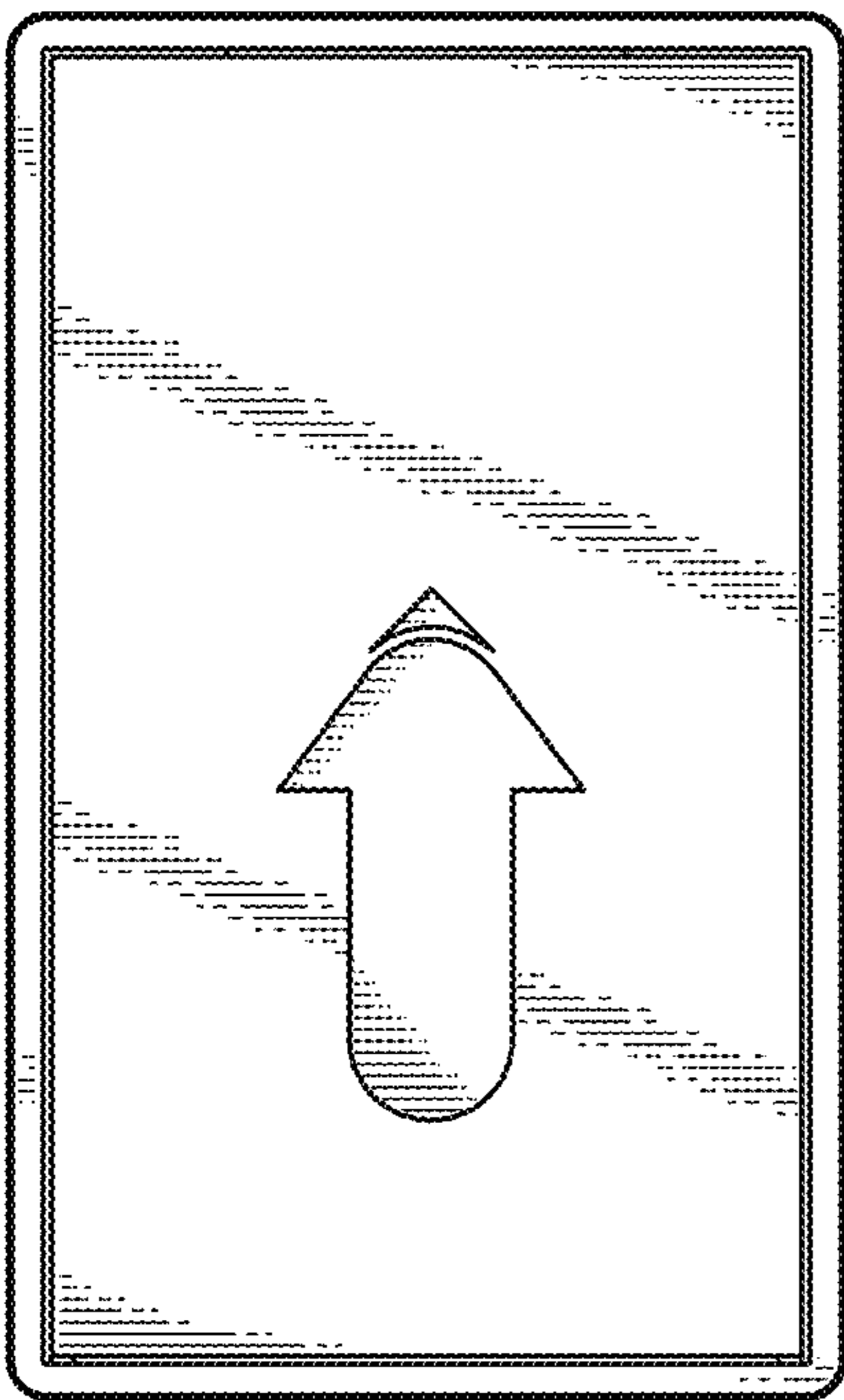


FIG. 4

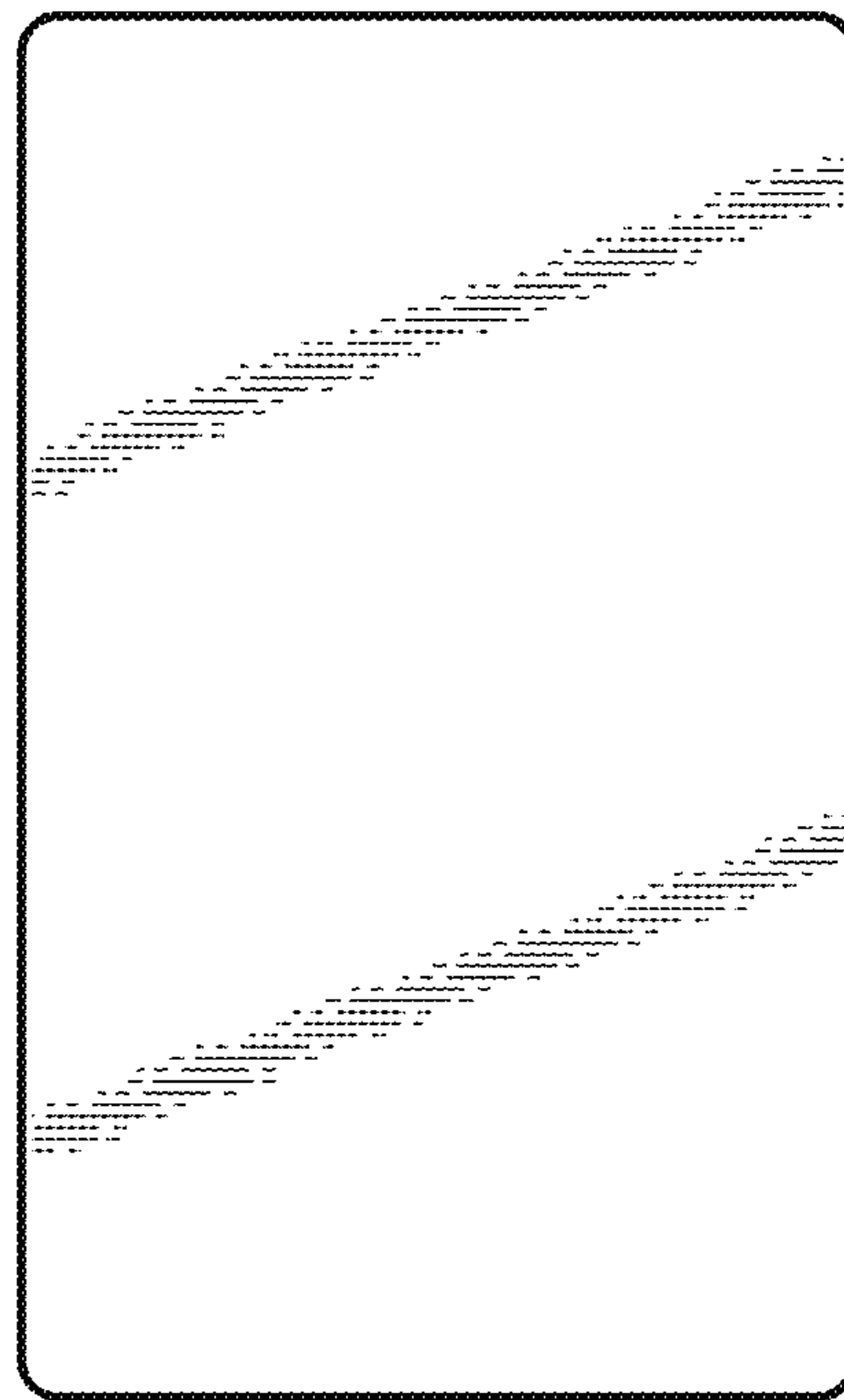


FIG. 5

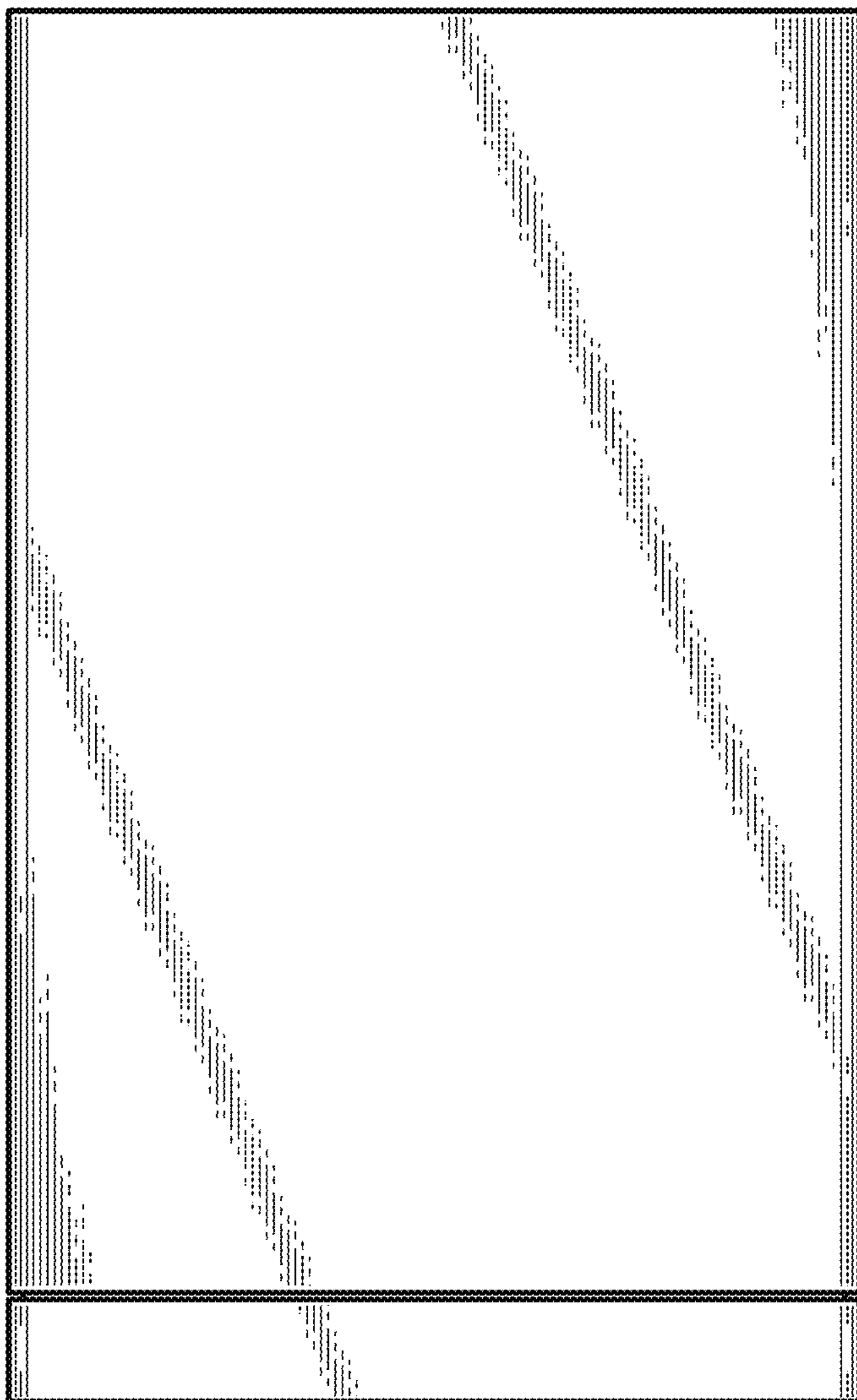


FIG. 6

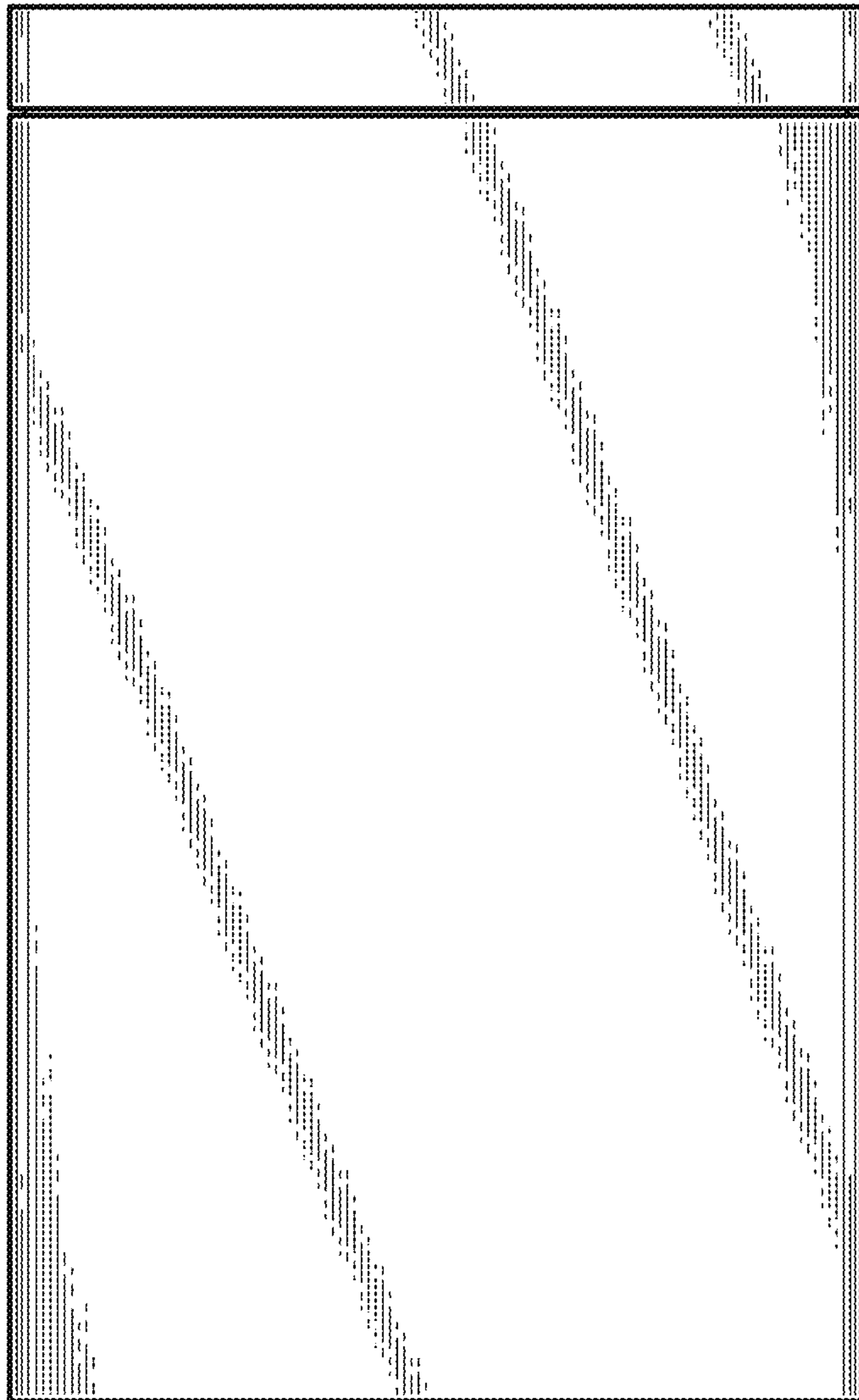


FIG. 7