



US00D799146S

(12) **United States Design Patent** (10) **Patent No.:** **US D799,146 S**
Fuller (45) **Date of Patent:** **** Oct. 3, 2017**

(54) **BEVERAGE CONTAINER**
(71) Applicant: **Mark Fuller**, Sandpoint, ID (US)
(72) Inventor: **Mark Fuller**, Sandpoint, ID (US)
(73) Assignee: **Mark Fuller**, Sandpoint, ID (US)
(**) Term: **15 Years**
(21) Appl. No.: **29/551,646**
(22) Filed: **Jan. 15, 2016**
(51) **LOC (10) Cl.** **09-02**
(52) **U.S. Cl.**
USPC **D34/39; D7/301; D7/300**
(58) **Field of Classification Search**
USPC D7/507, 509, 510, 511, 523, 527, 529,
D7/531, 532, 533, 536, 608, 300;
D34/39; D9/503, 907, 531; 220/592.16,
220/592.17, 495.03
CPC A47G 19/22; A47G 19/2205; A47G
19/2222; A45F 3/16; A45F 3/20; B67D
7/06; B65D 25/14
See application file for complete search history.

(56) **References Cited**
U.S. PATENT DOCUMENTS
D223,563 S * 5/1972 Warnecke D34/39
D244,850 S * 6/1977 Wilson D34/39
D276,499 S * 11/1984 Kamada D34/39
5,165,569 A * 11/1992 Furuhashi B65D 7/045
220/4.04
D362,990 S * 10/1995 Losordo D34/39
D374,959 S * 10/1996 Mull D34/39
D386,644 S * 11/1997 Orrico D7/300
D497,283 S * 10/2004 Groombridge D7/306

7,017,761 B1 * 3/2006 Kneer B65D 25/16
215/12.1
D576,833 S * 9/2008 Mansell D7/332
D594,175 S * 6/2009 Rasmussen D34/39
D623,471 S * 9/2010 Kusch D7/313
D663,914 S * 7/2012 Howard D34/39
D675,066 S * 1/2013 Conlin D7/608
D735,436 S * 7/2015 Lehman D34/39
D751,899 S * 3/2016 Chu D9/443
D752,839 S * 3/2016 Lehman D34/39
2013/0032564 A1 * 2/2013 Rosbach A47G 19/2288
215/12.1
2015/0128810 A1 * 5/2015 Lehman C12C 13/10
99/276
2017/0158484 A1 * 6/2017 Lehman B67D 1/0406

* cited by examiner

Primary Examiner — Marianne Pandozzi

Assistant Examiner — Jae Liang

(74) *Attorney, Agent, or Firm* — Randall Danskin P.S.

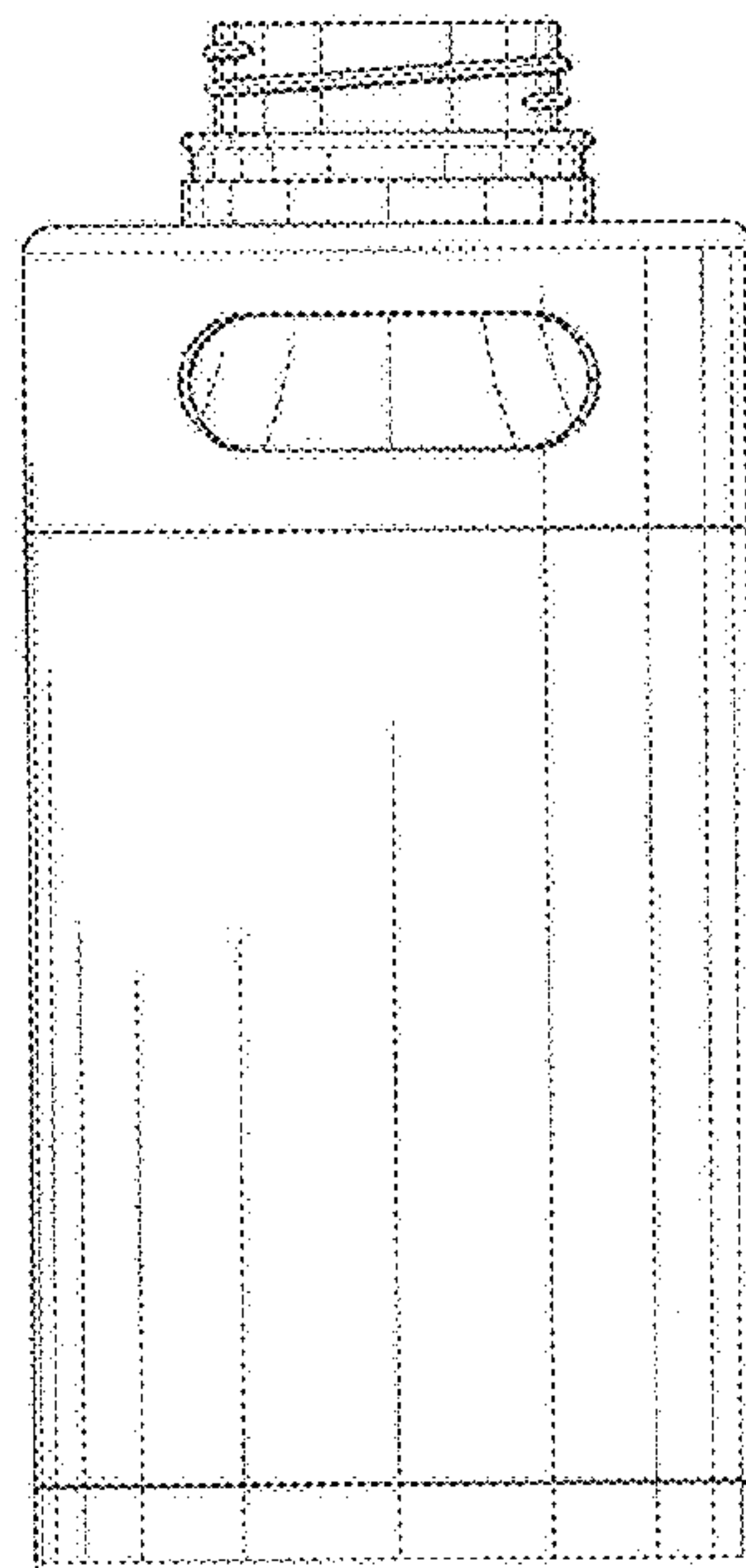
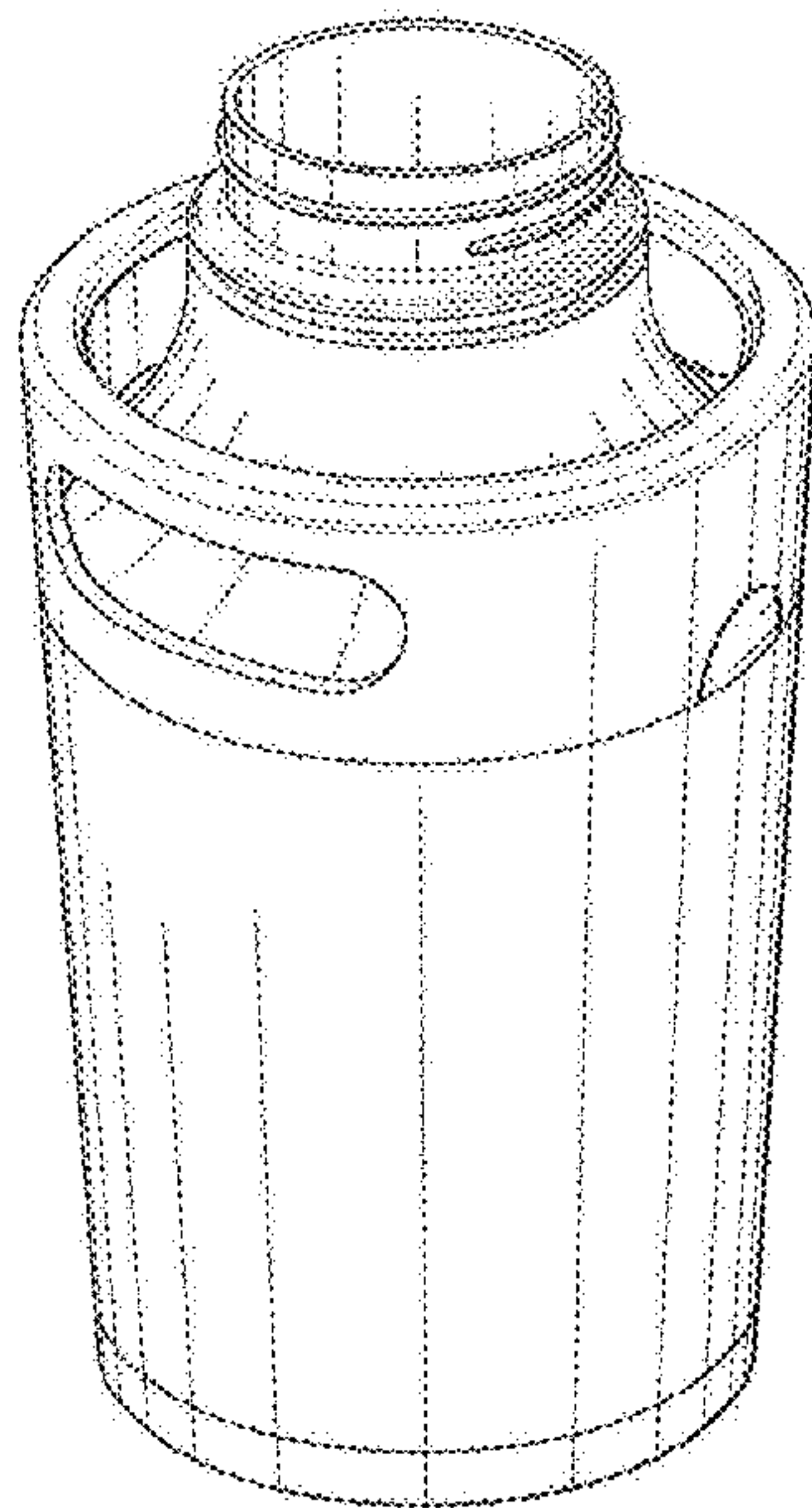
(57) **CLAIM**

The ornamental design for a beverage container, as shown and described.

DESCRIPTION

FIG. 1 is a rear top isometric view of a first embodiment of a beverage container showing my new design;
FIG. 2 is a first side view thereof;
FIG. 3 is a rear view thereof;
FIG. 4 is a second side view thereof;
FIG. 5 is a front view thereof;
FIG. 6 is a top view thereof;
FIG. 7 is a bottom view thereof; and,
FIG. 8 is a rear top isometric view of a second embodiment of a beverage container, all sides being the same as FIGS. 1-7 save for the unclaimed tethered lid.

1 Claim, 8 Drawing Sheets



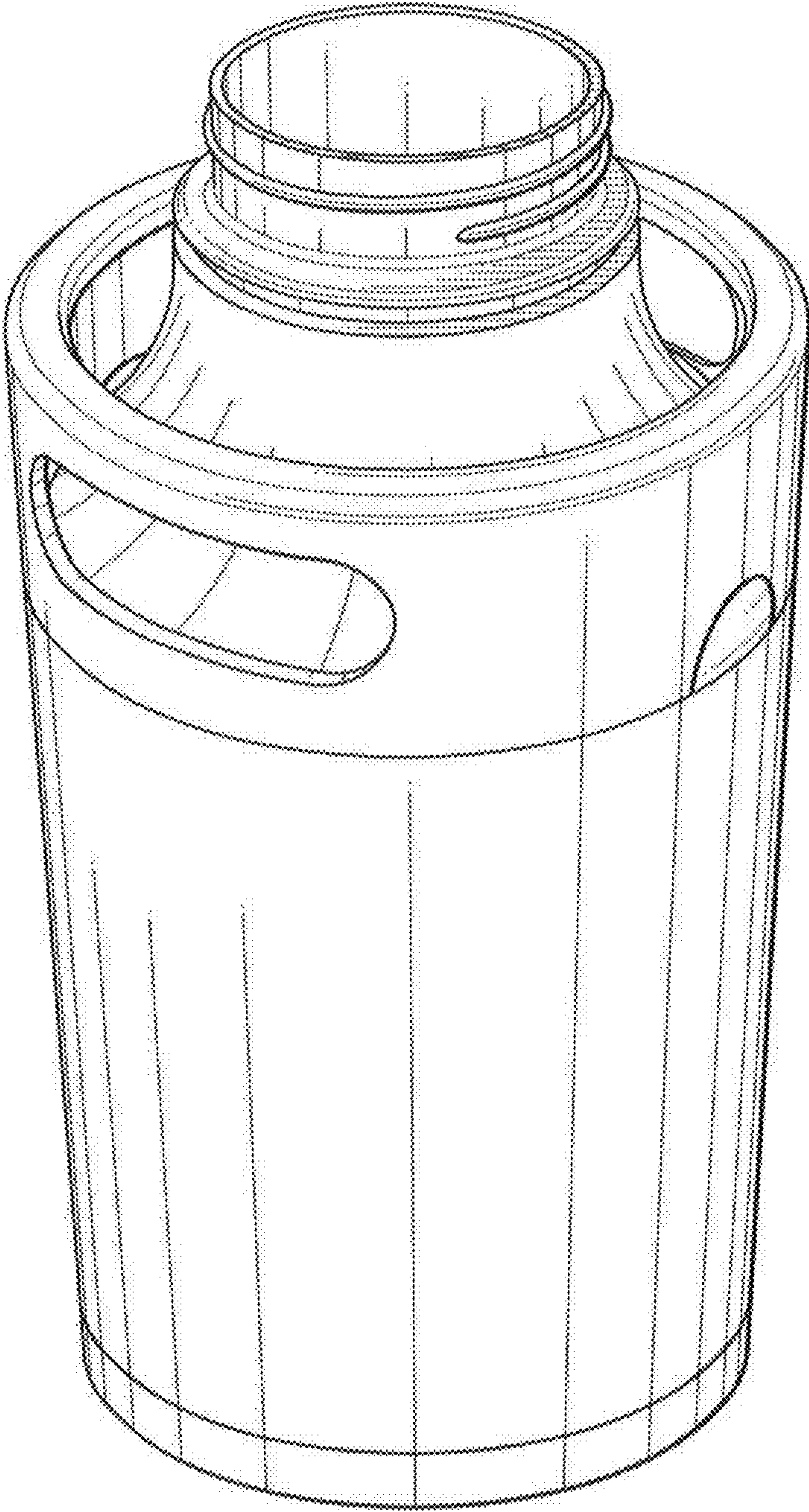


FIG. 1

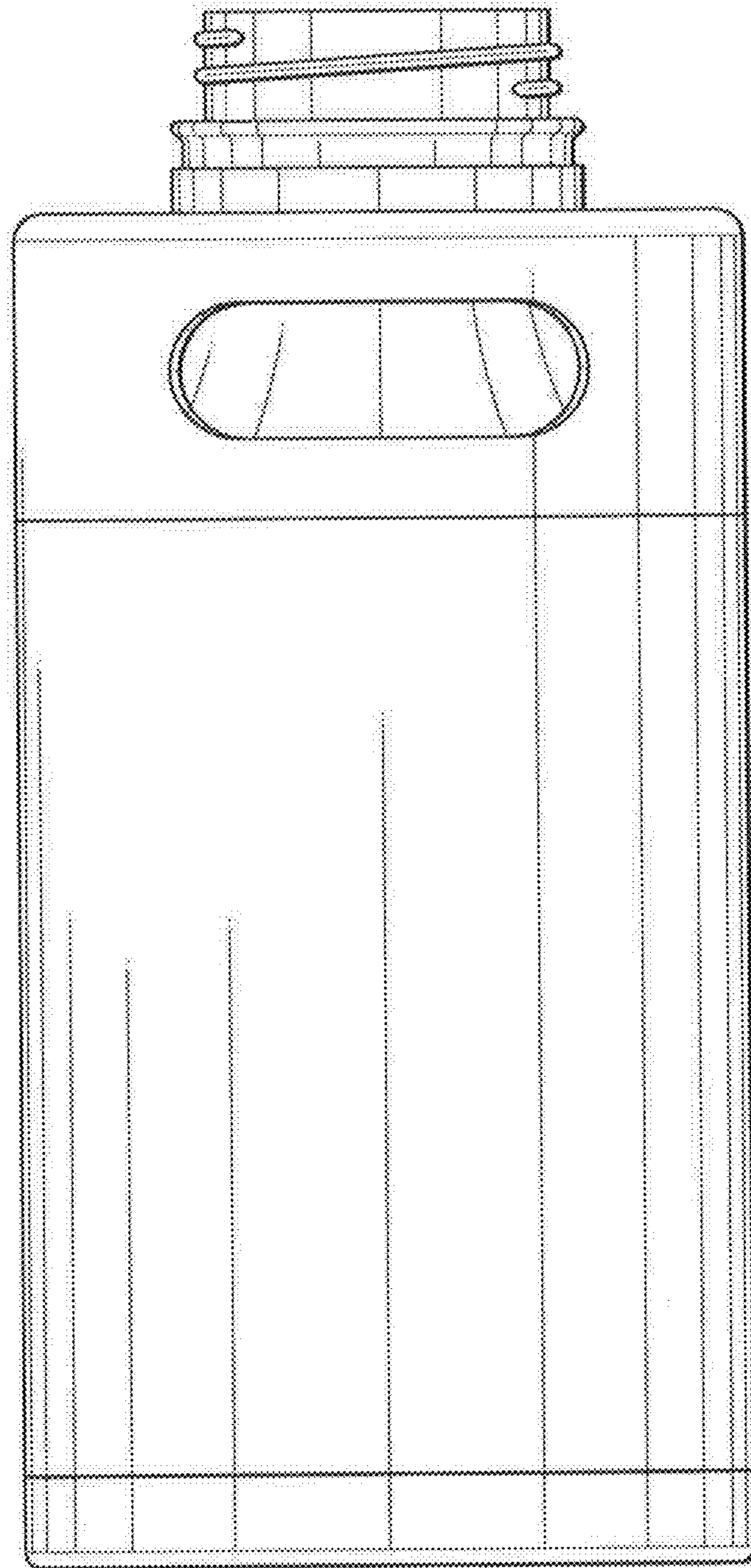


FIG. 2

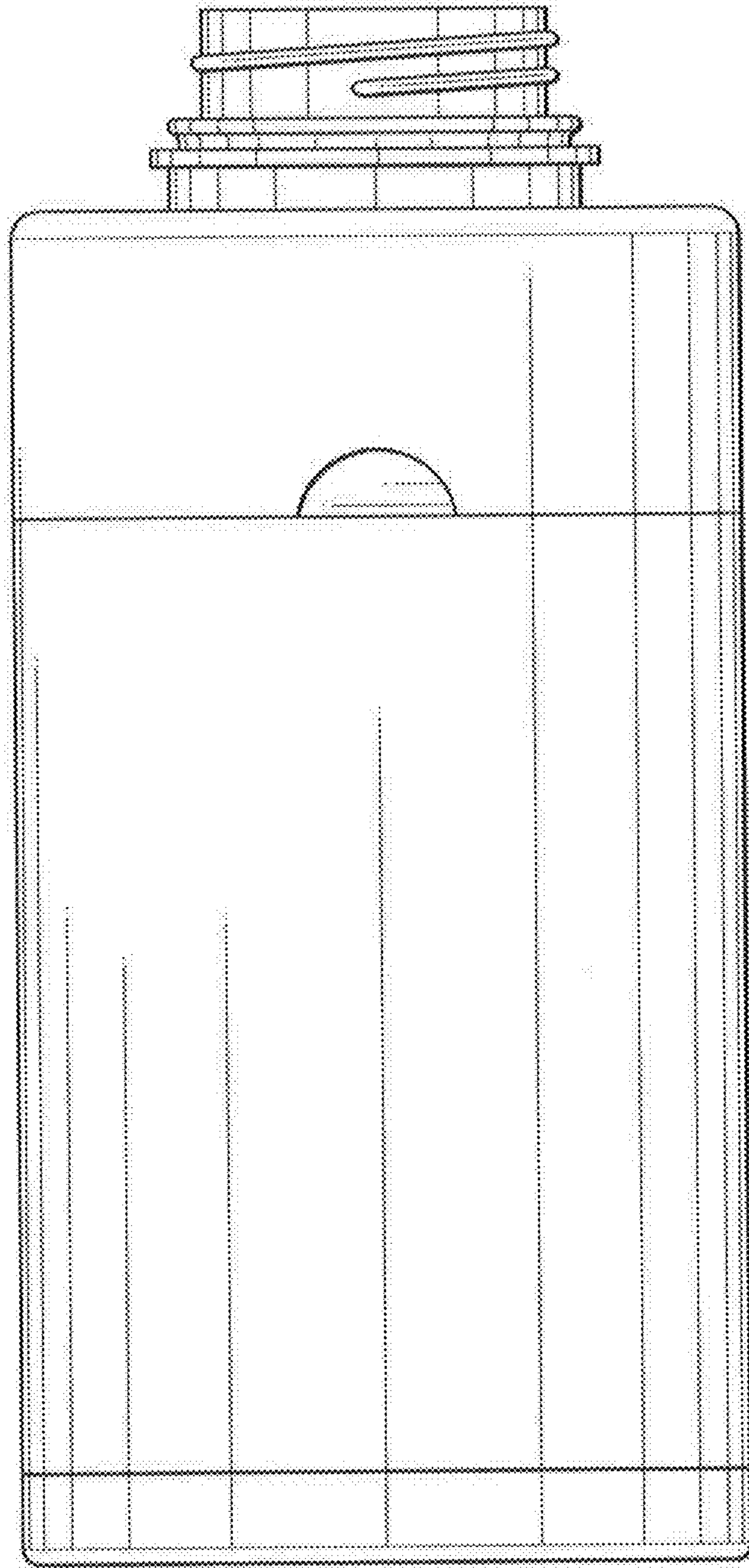


FIG. 3

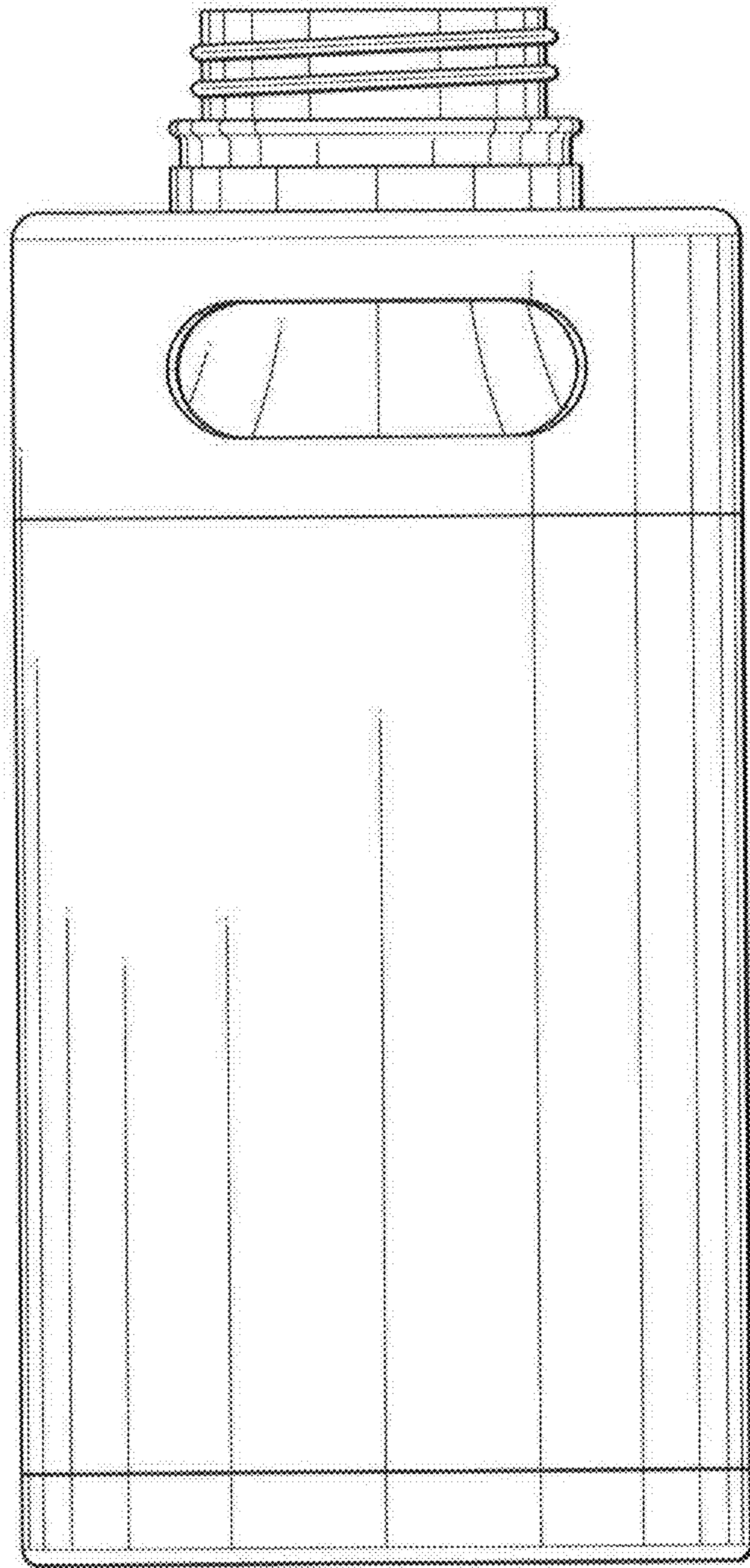


FIG. 4

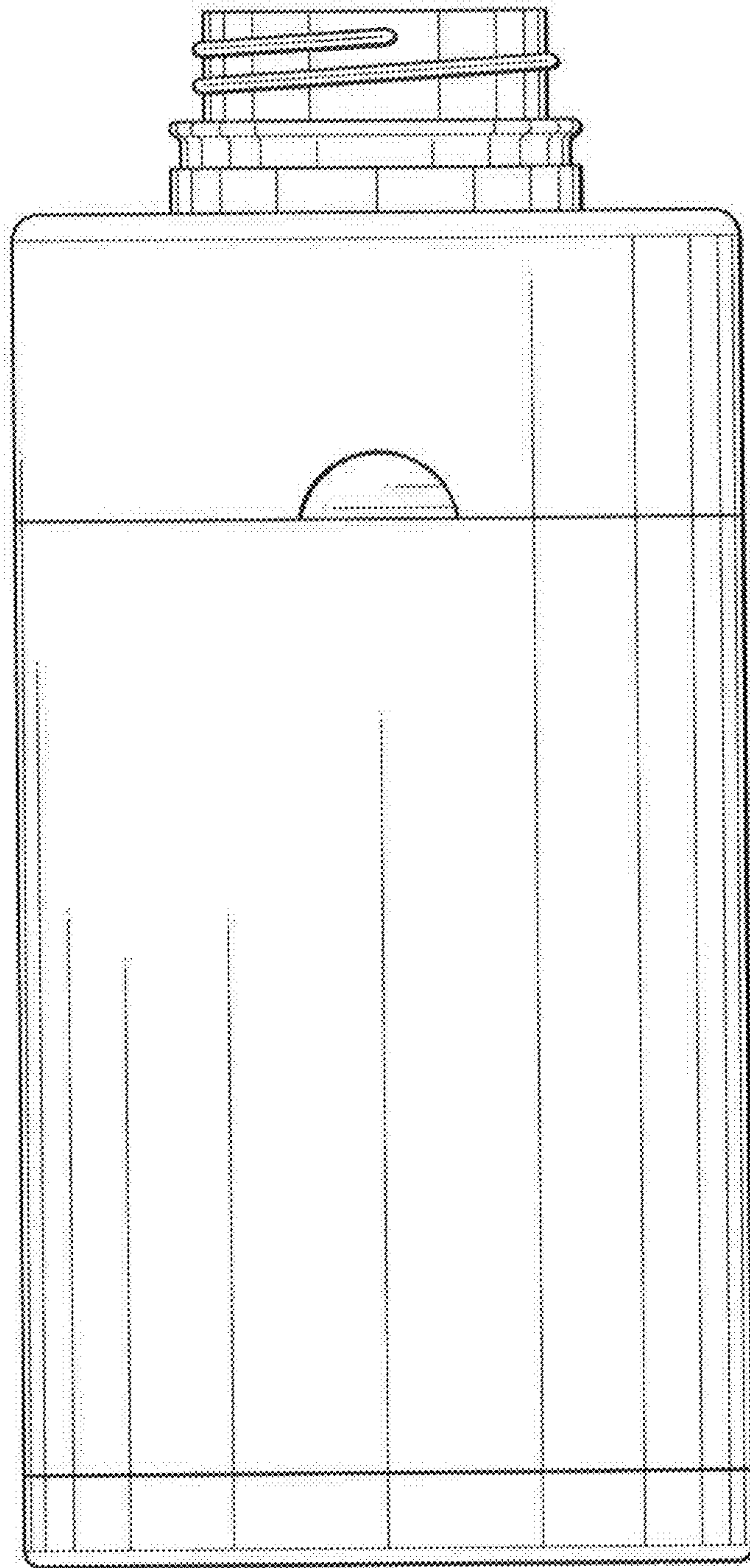


FIG. 5

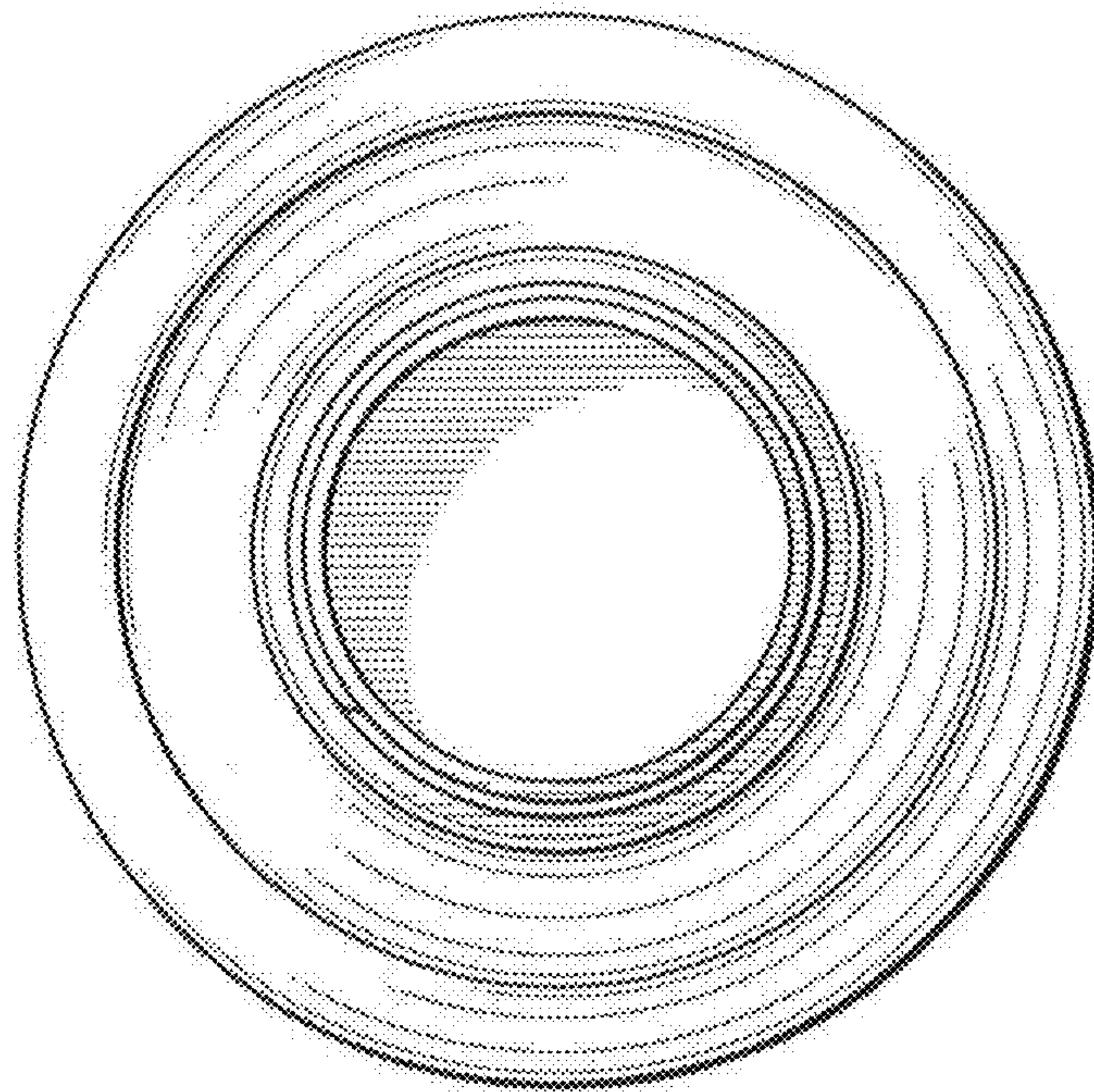


FIG. 6

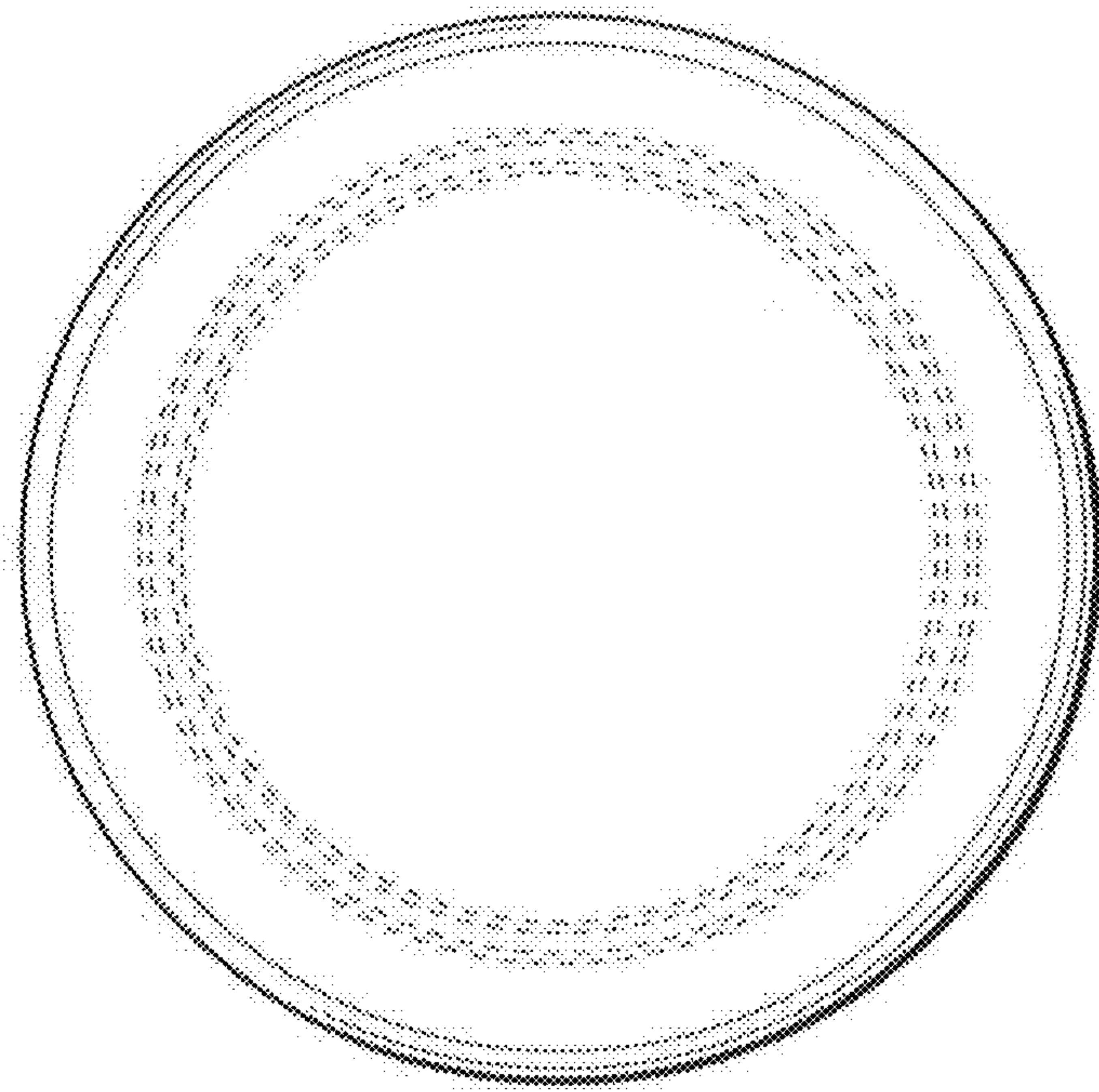


FIG. 7

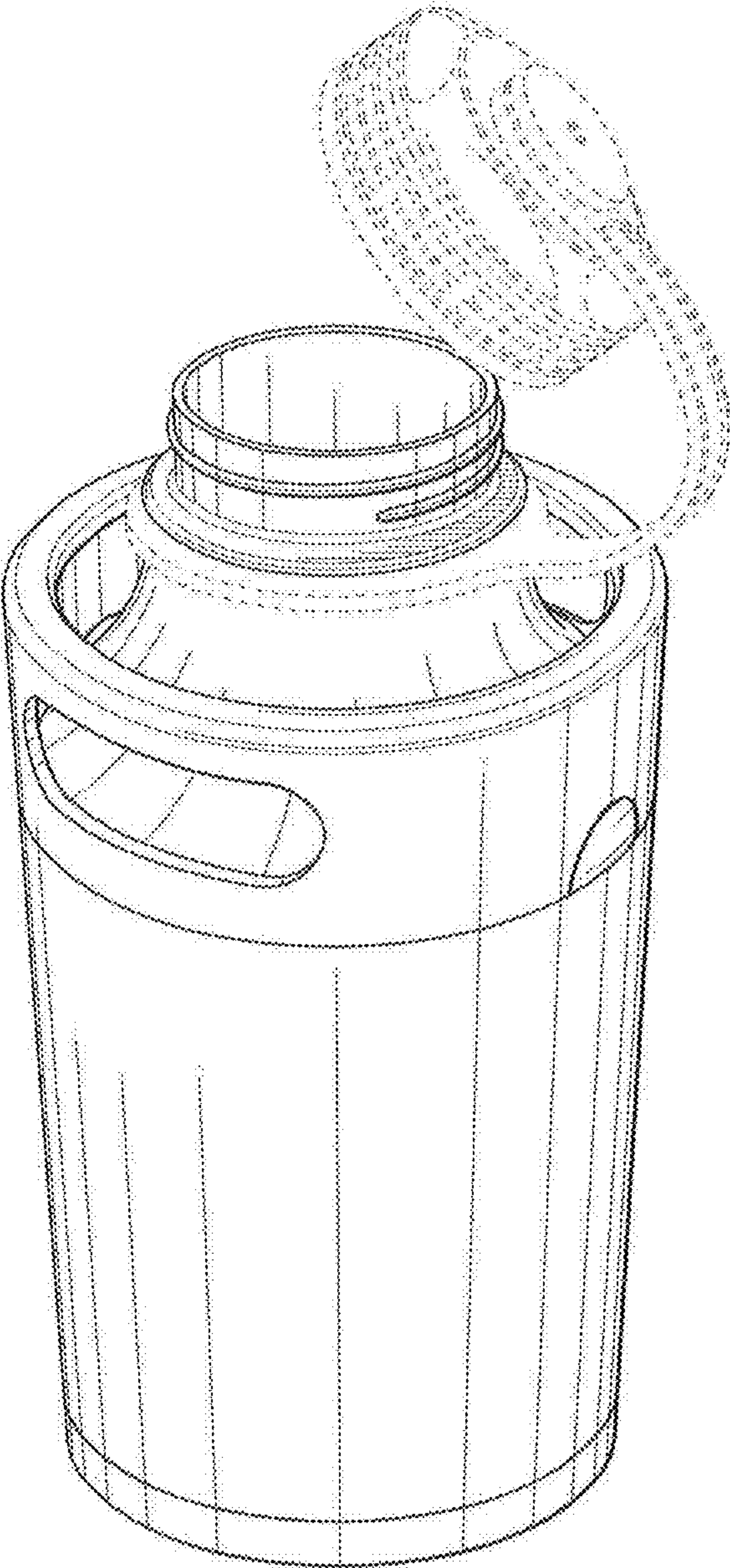


FIG. 8