



US00D799144S

(12) **United States Design Patent**
Cui

(10) **Patent No.:** **US D799,144 S**

(45) **Date of Patent:** **** Oct. 3, 2017**

(54) **ELECTRIC WINCH**

(71) Applicant: **NINGBO LIANDA WINCH CO. LTD.**, Ningbo, Zhejiang Province (CN)

(72) Inventor: **Xiaojun Cui**, Ningbo (CN)

(73) Assignee: **NINGBO LIANDA WINCH CO. LTD.**, Ningbo (CN)

(**) Term: **15 Years**

(21) Appl. No.: **29/564,014**

(22) Filed: **May 10, 2016**

(30) **Foreign Application Priority Data**

Jan. 22, 2016 (CN) 2016 3 0023687

(51) **LOC (10) Cl.** **12-05**

(52) **U.S. Cl.**
USPC **D34/33**

(58) **Field of Classification Search**
USPC D34/28, 31, 33; D15/7, 8, 9, 199;
254/316, 342, 356, 362, 372, 374, 380,
254/382, 901, 267; 242/225, 370, 394;
715/835

CPC ... B66D 1/14; B66D 1/38; B66D 1/28; B66D
1/04; B66D 1/22; B66D 1/39; B66D
1/7405; B66D 1/00; B66D 1/08; B66D
1/26; B66D 1/36; B66D 1/505; B66D
1/7484

See application file for complete search history.

(56) **References Cited**

U.S. PATENT DOCUMENTS

D471,338 S * 3/2003 Hodge D34/33
D703,414 S * 4/2014 Fretz D34/33

D741,038 S * 10/2015 Huang D34/33
9,315,364 B2 * 4/2016 Averill B66D 1/12
2014/0001427 A1 * 1/2014 Fretz B66D 1/02
254/342
2014/0257631 A1 * 9/2014 Heravi B66D 1/42
254/342
2016/0046468 A1 * 2/2016 Heravi B66D 1/40
715/835
2016/0096709 A1 * 4/2016 Averill B66D 1/12
254/267
2016/0311667 A1 * 10/2016 Huang B66D 1/12
2016/0311668 A1 * 10/2016 Huang B66D 1/12

* cited by examiner

Primary Examiner — Cynthia Ramirez

Assistant Examiner — Michael Maharajh

(74) *Attorney, Agent, or Firm* — Oliff PLC

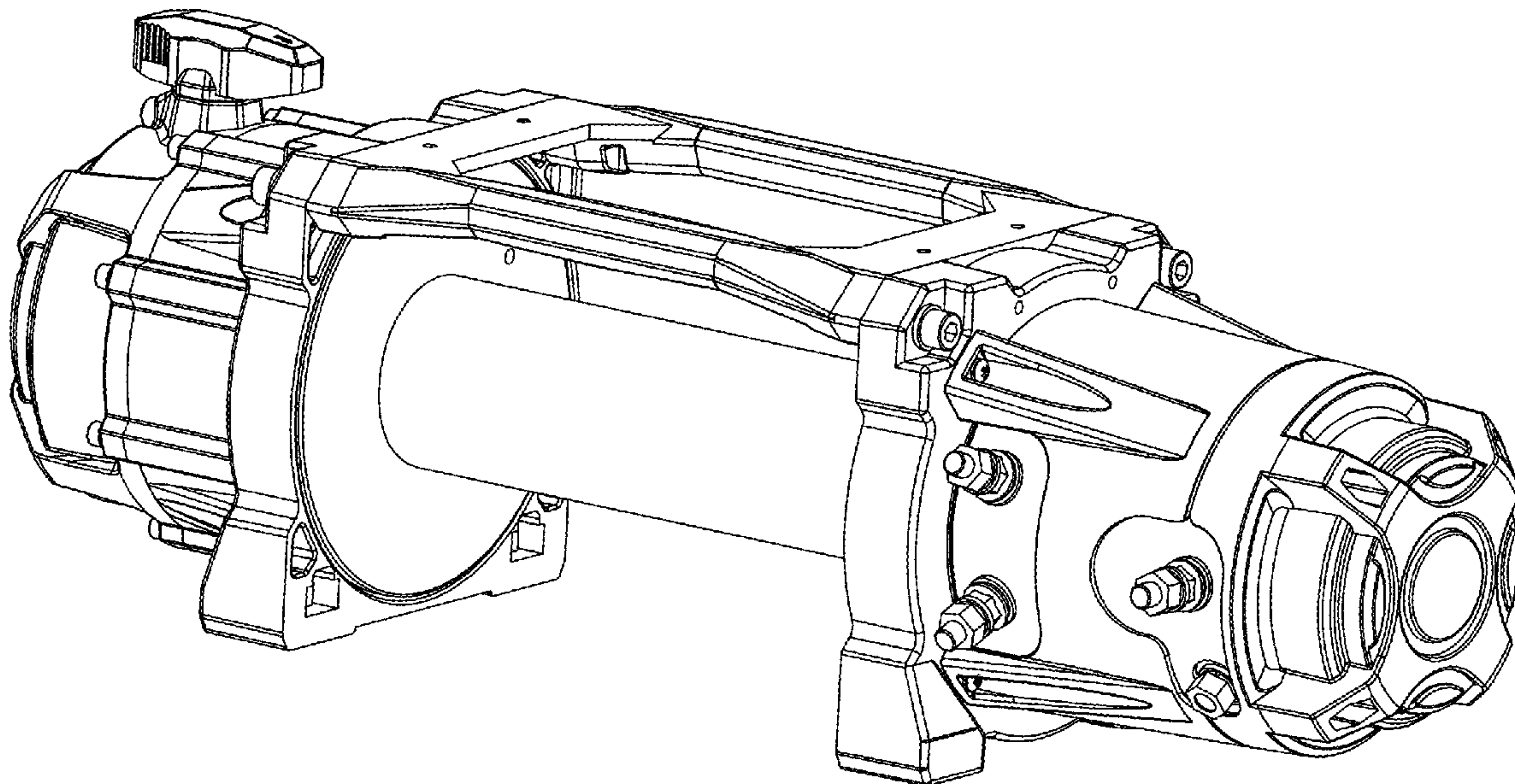
(57) **CLAIM**

The ornamental design for an electric winch, as shown and described.

DESCRIPTION

FIG. 1 is a perspective view of an electric winch showing my new design;
FIG. 2 is a front elevation view thereof;
FIG. 3 is a rear elevation view thereof;
FIG. 4 is a left-side elevation view thereof;
FIG. 5 is a right-side elevation view thereof;
FIG. 6 is a bottom plan view thereof;
FIG. 7 is a top plan view thereof; and,
FIG. 8 is another perspective view thereof.

1 Claim, 7 Drawing Sheets



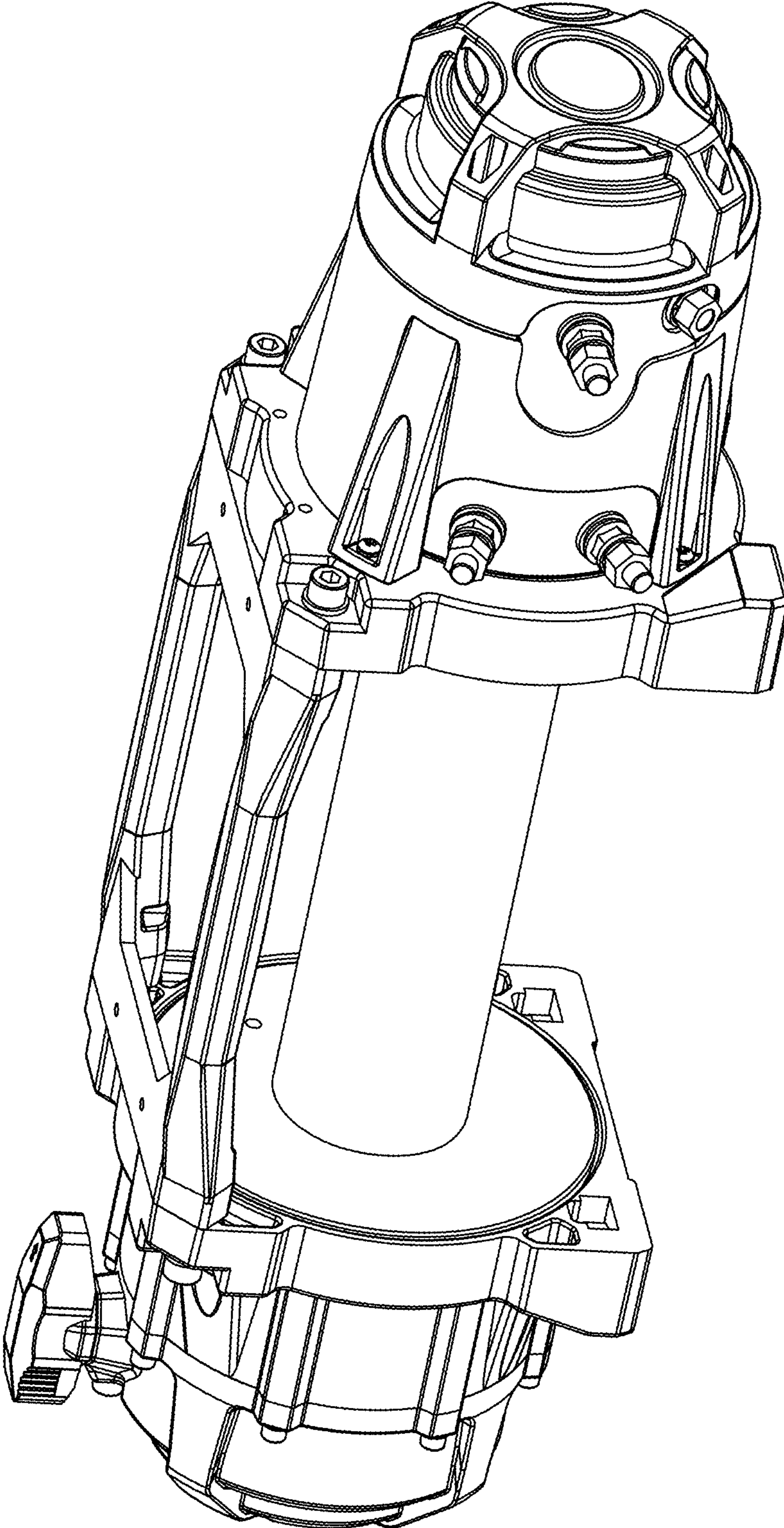


FIG. 1

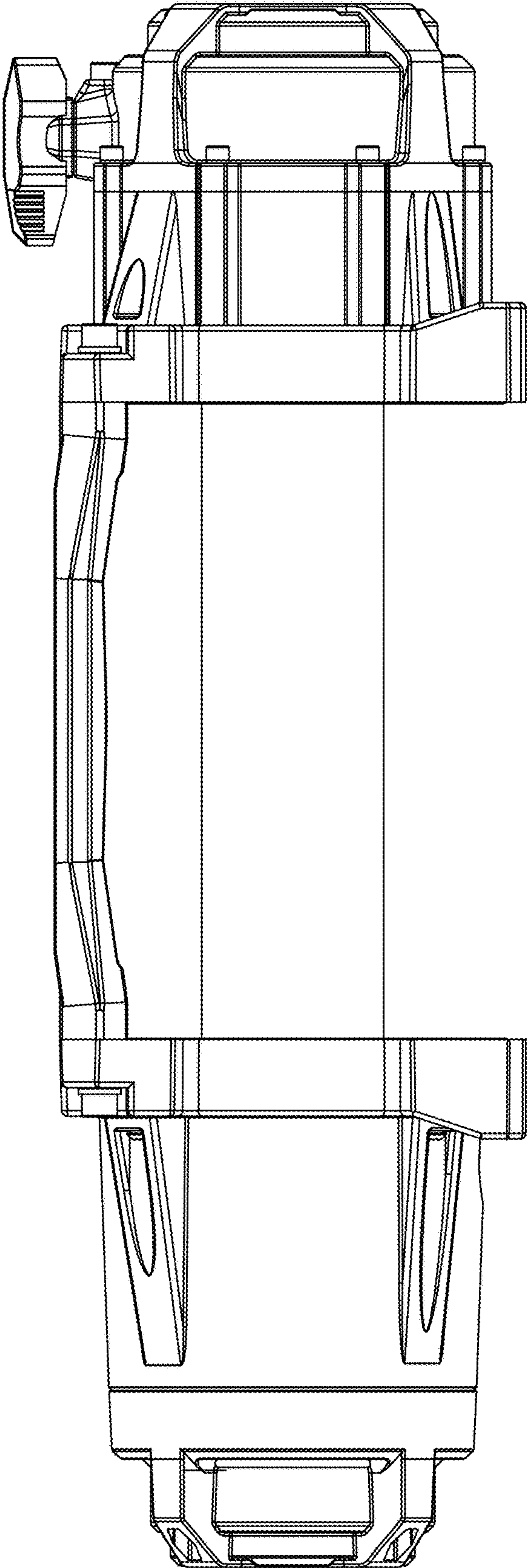


FIG. 2

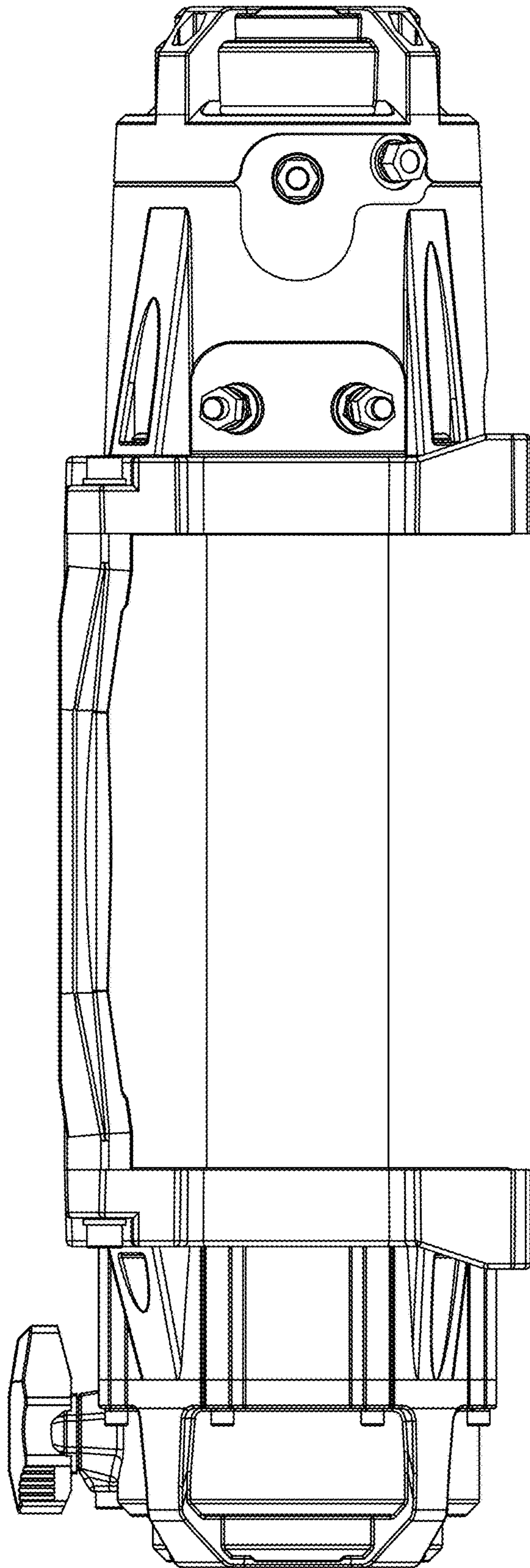


FIG. 3

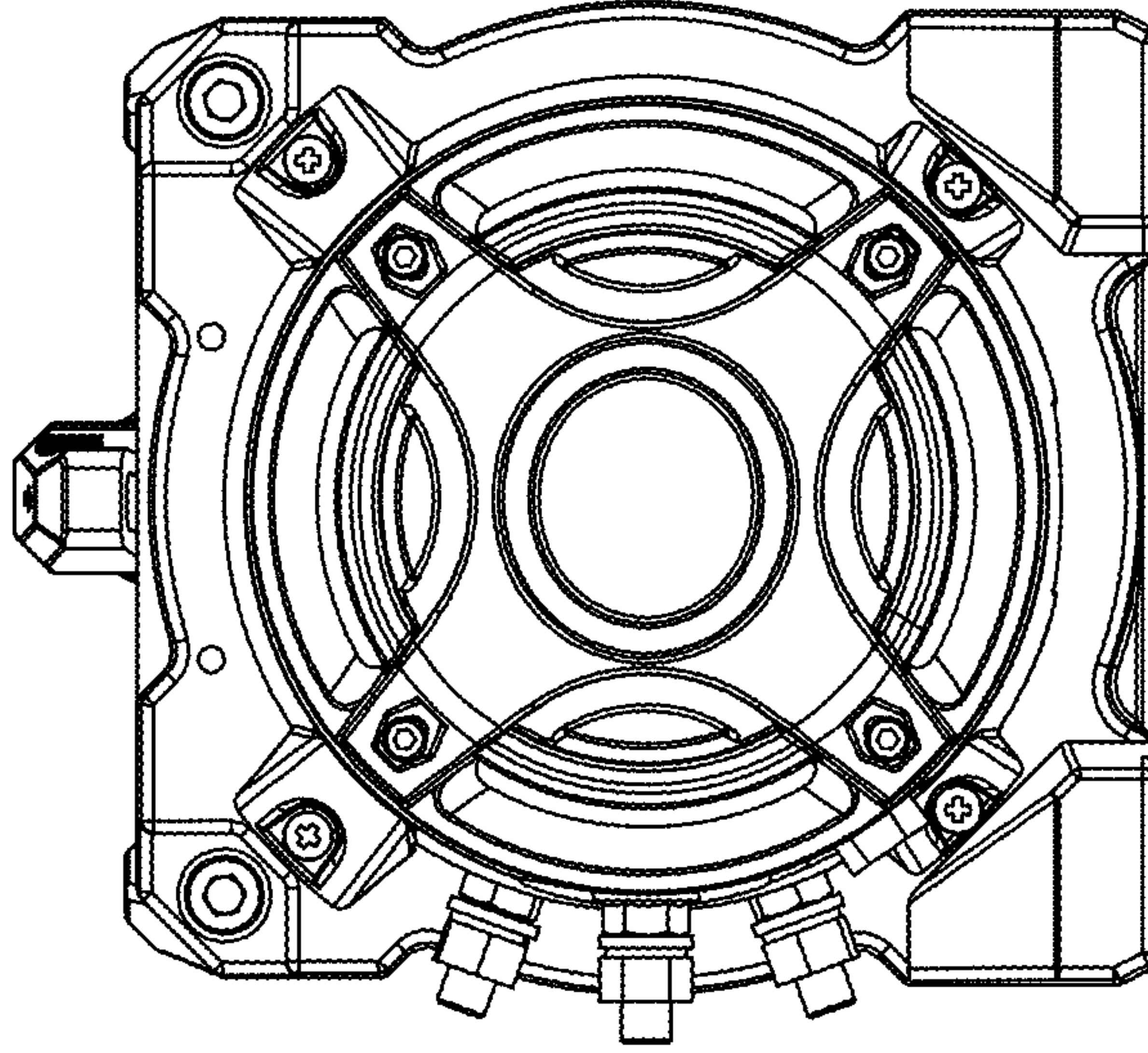


FIG. 4

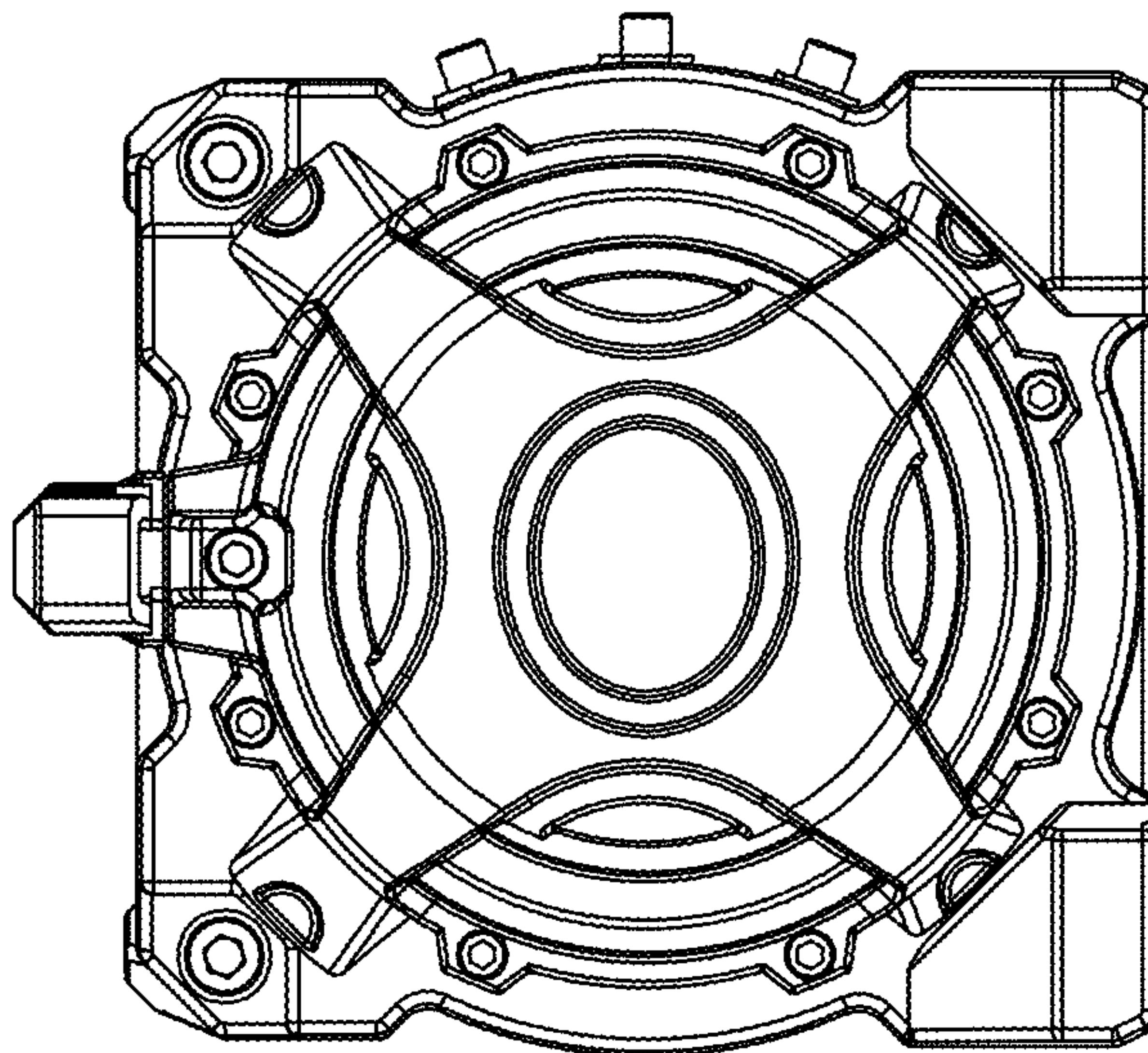


FIG. 5

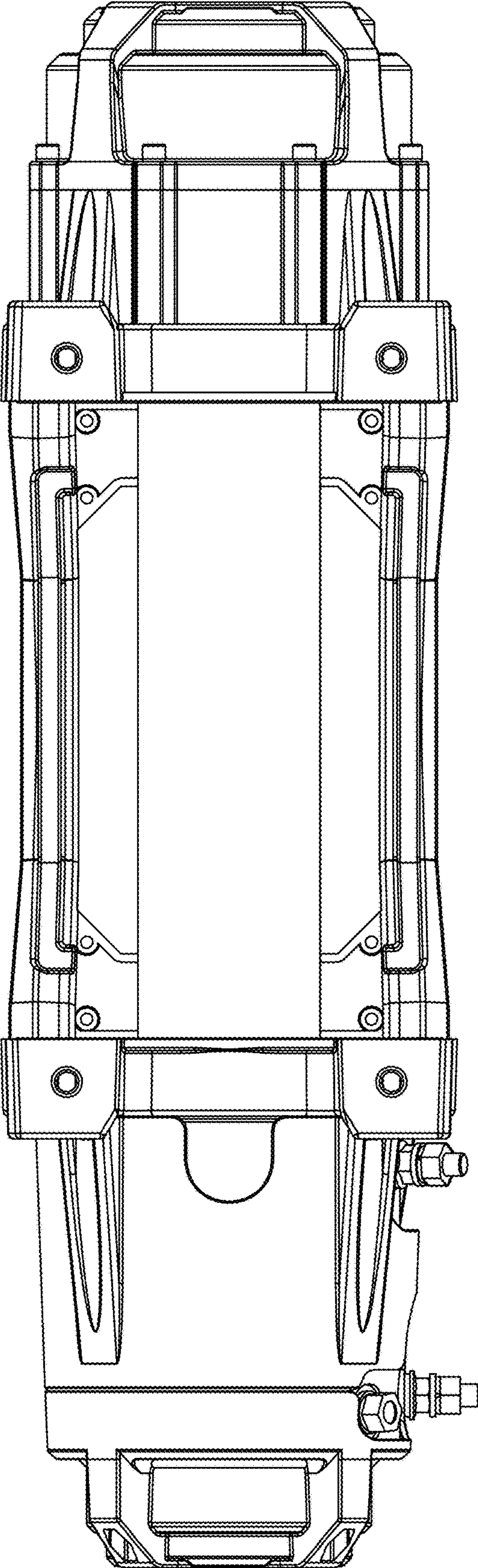


FIG. 6

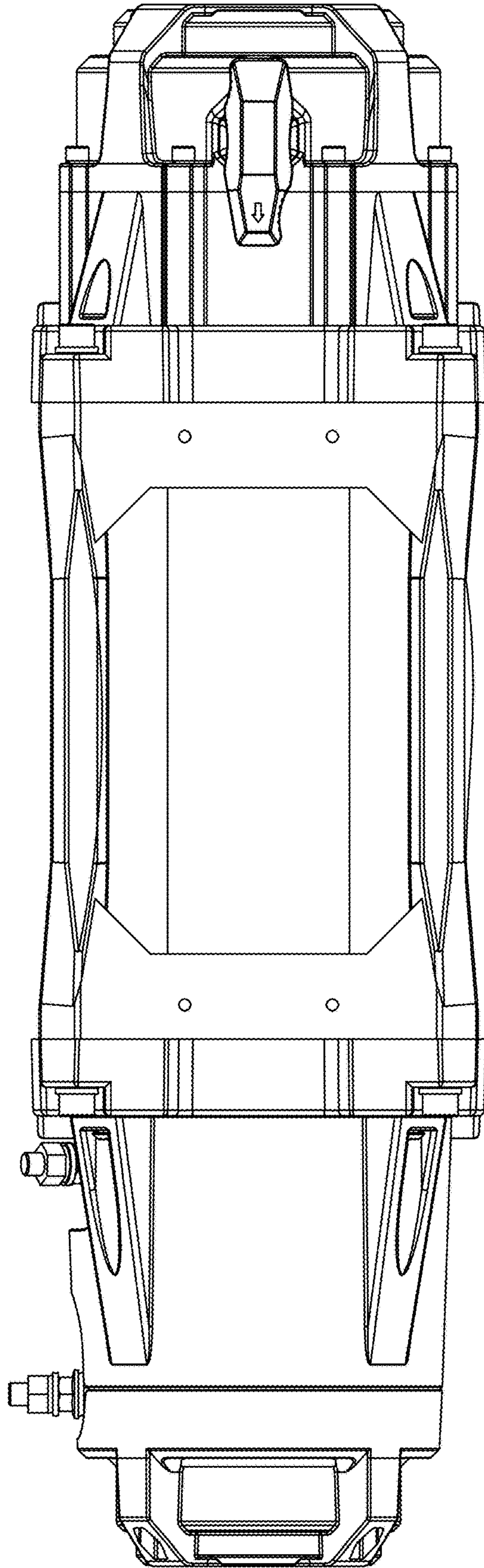


FIG. 7

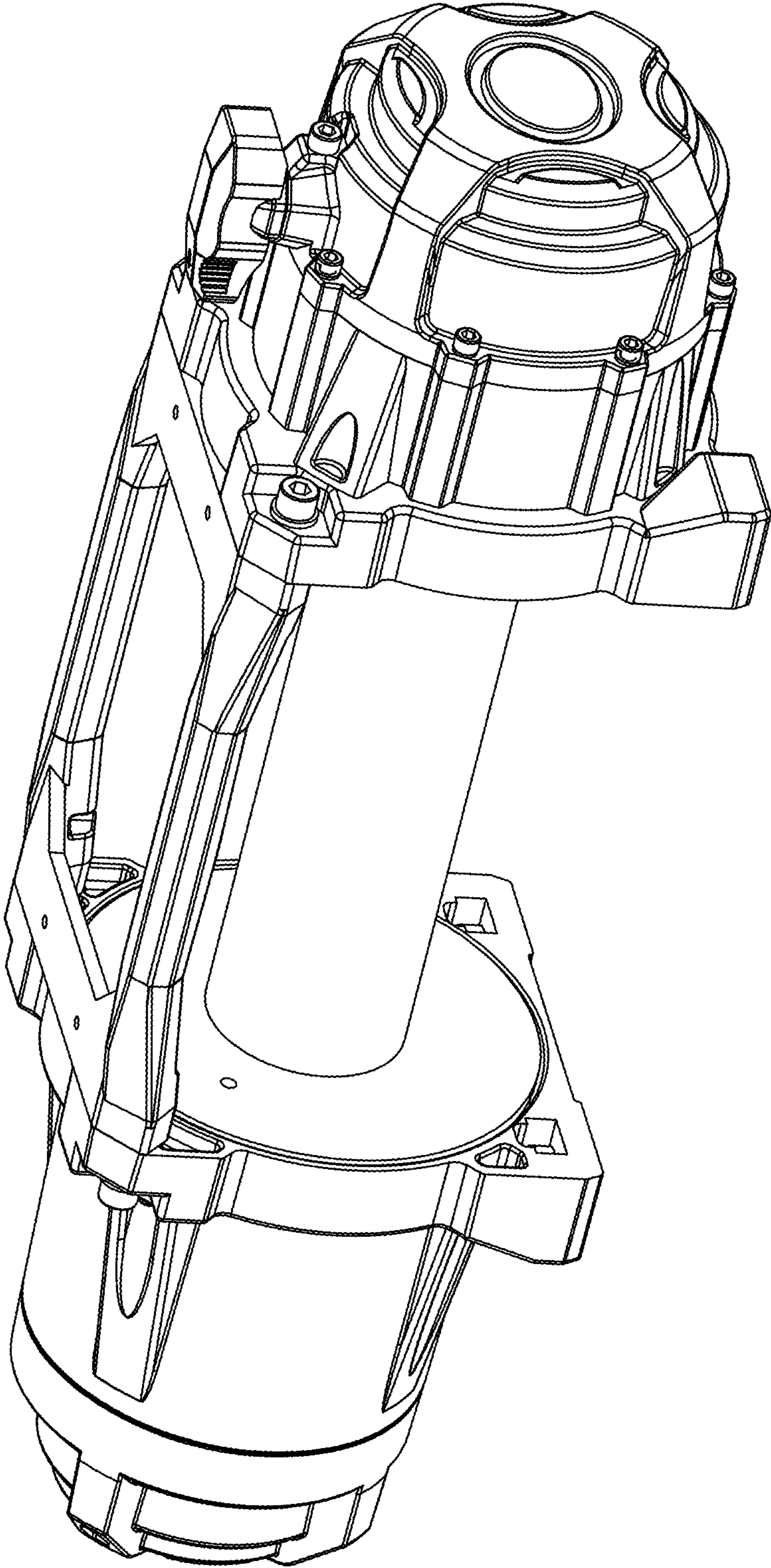


FIG. 8