



US00D799142S

(12) **United States Design Patent** (10) **Patent No.:** **US D799,142 S**
Fox (45) **Date of Patent:** **** Oct. 3, 2017**

(54) **FLOOR JACK FRAME**

(56) **References Cited**

(71) Applicant: **PROFESSIONAL TOOL PRODUCTS, LLC**, Travelers Rest, SC (US)

U.S. PATENT DOCUMENTS

(72) Inventor: **Robert Fox**, Greenville, SC (US)

D421,516 S	*	3/2000	Hung	D34/31
D688,845 S	*	8/2013	Hernandez	D34/31
D720,514 S	*	12/2014	Fox	D34/31
D720,915 S	*	1/2015	Fox	D34/31
D730,612 S	*	5/2015	James	D34/31
D776,897 S	*	1/2017	Fox	D34/31

(73) Assignee: **PROFESSIONAL TOOL PRODUCTS, LLC**, Travelers Rest, SC (US)

* cited by examiner

(**) Term: **15 Years**

Primary Examiner — Cynthia Ramirez

(21) Appl. No.: **29/586,777**

(74) *Attorney, Agent, or Firm* — J. Bennett Mullinax, LLC

(22) Filed: **Dec. 7, 2016**

(57) **CLAIM**

The ornamental design for a floor jack frame, as shown and described.

Related U.S. Application Data

DESCRIPTION

(63) Continuation of application No. 29/519,207, filed on Mar. 3, 2015, now Pat. No. Des. 776,897.

(51) **LOC (10) Cl.** **12-05**

(52) **U.S. Cl.**
USPC **D34/31**

(58) **Field of Classification Search**
USPC D34/28, 31; 254/83, 84, 11, 93 H, 2 B, 254/88, DIG. 3, 48, 94, 93 R, 8 B, 8 R, 254/2 R

CPC B66F 13/00; B66F 1/00; B66F 1/02; B66F 1/06; B66F 1/08; B66F 3/16; B66F 3/25; B66F 3/30; B66F 3/12; B66F 3/18; B66F 3/24; B66F 3/247; B66F 3/28; B66F 3/35

See application file for complete search history.

FIG. 1 is an upper perspective view of the floor jack frame showing my new design;

FIG. 2 is a front view thereof;

FIG. 3 is a rear view thereof;

FIG. 4 is a left side view thereof;

FIG. 5 is a right side view thereof;

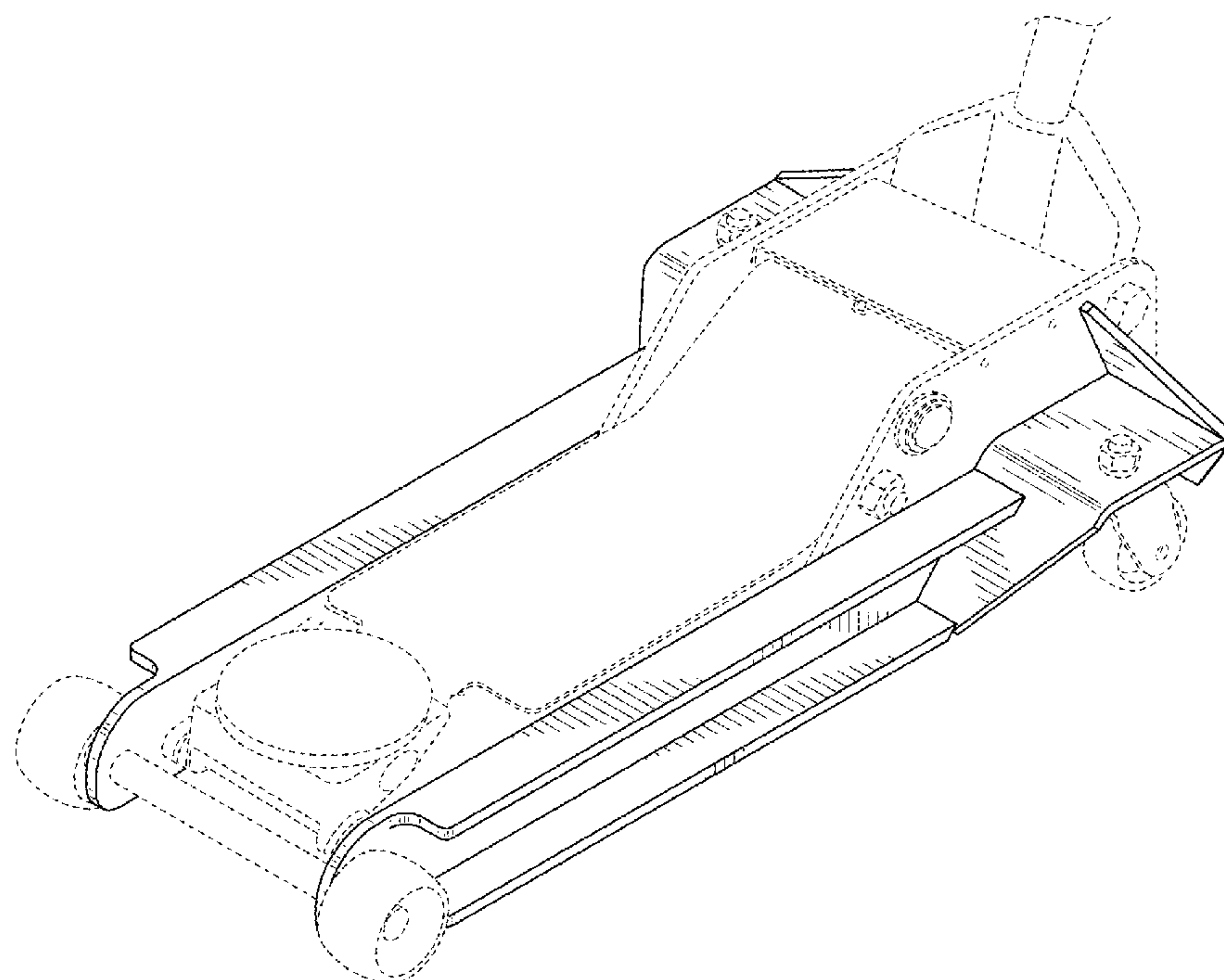
FIG. 6 is a top view thereof;

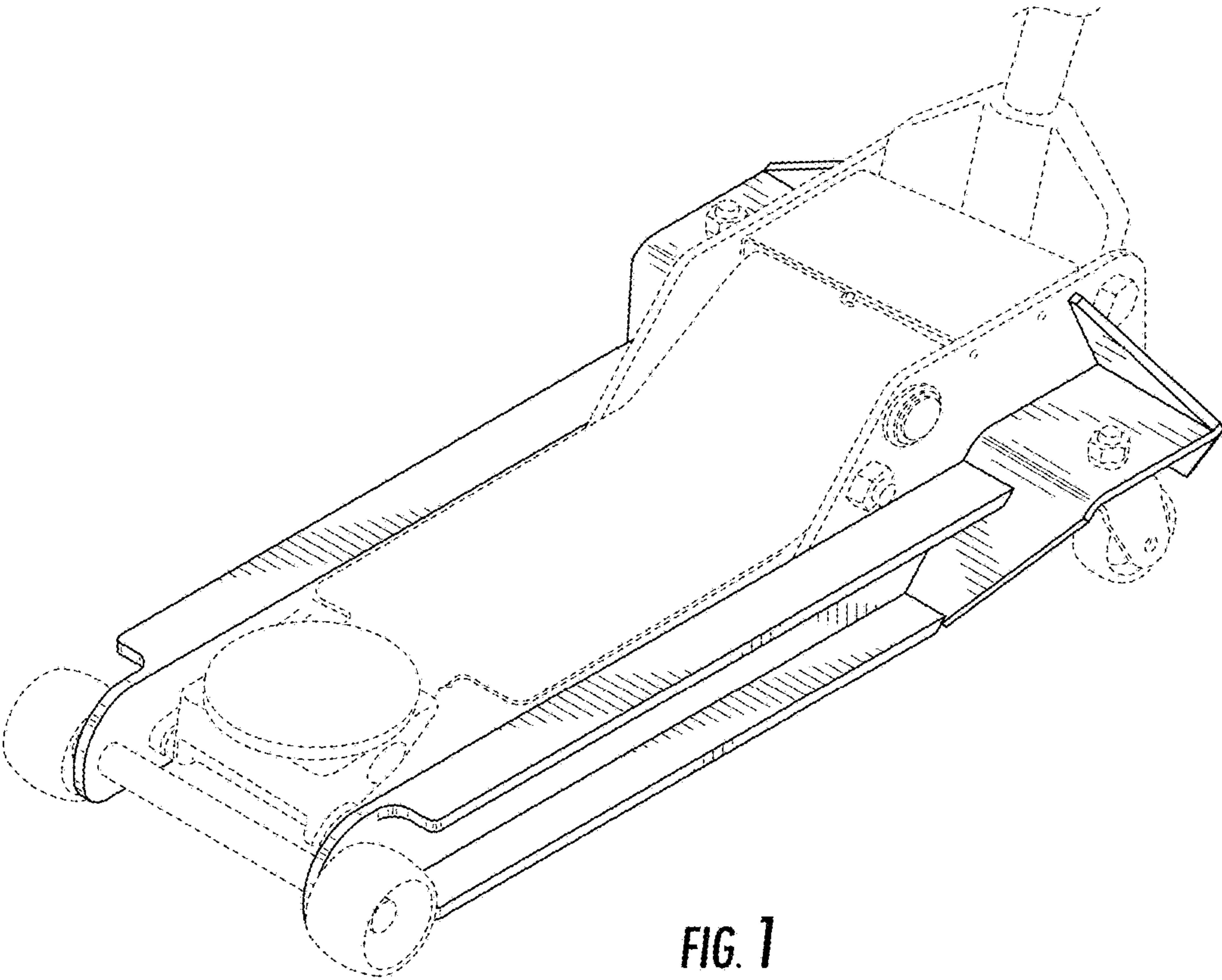
FIG. 7 is a bottom view thereof; and,

FIG. 8 is an upper perspective view thereof.

The broken lines shown in FIGS. 1 through 8 are included for the purpose of illustrating environment and forms no part of the claimed design.

1 Claim, 8 Drawing Sheets





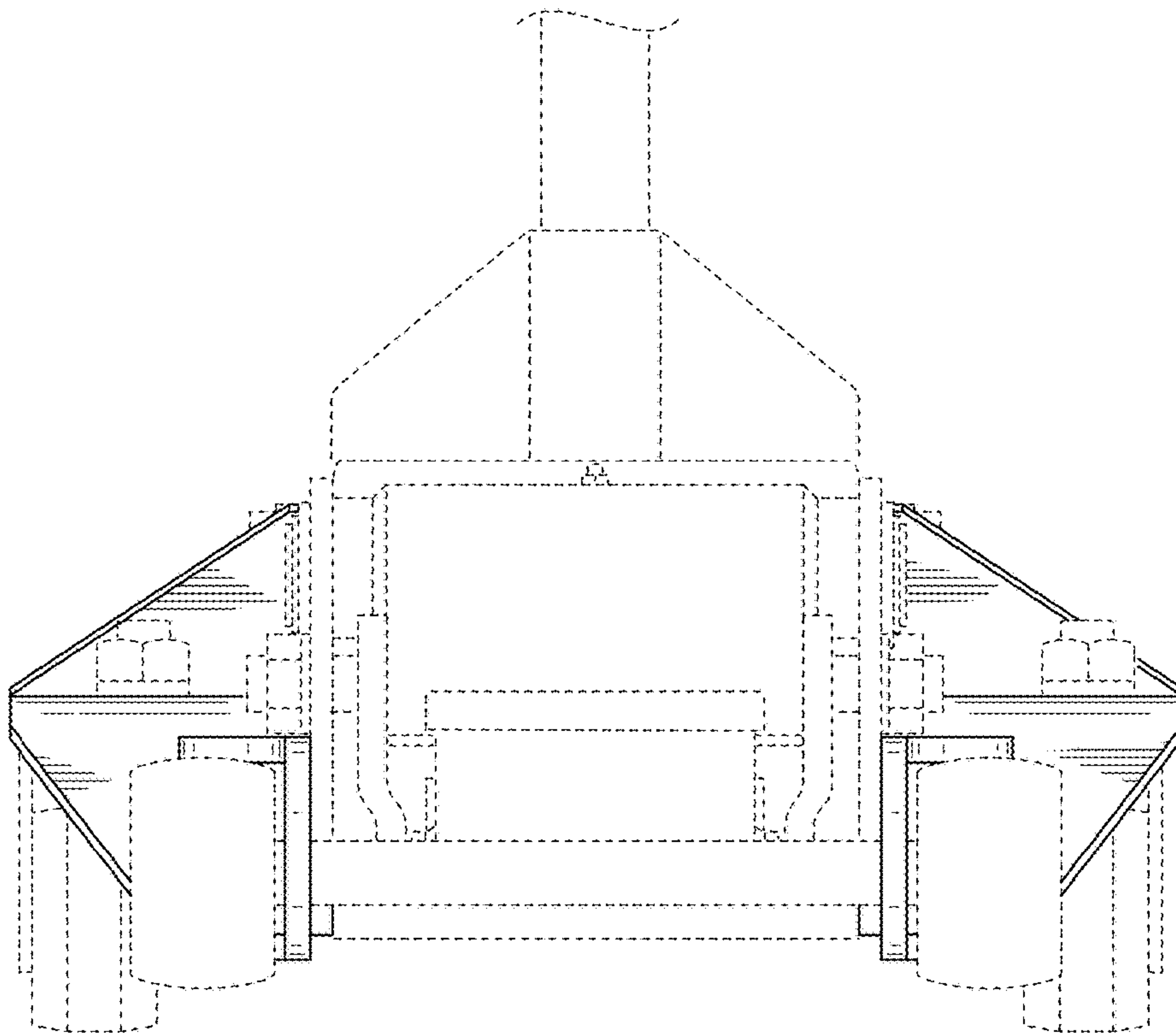


FIG. 2

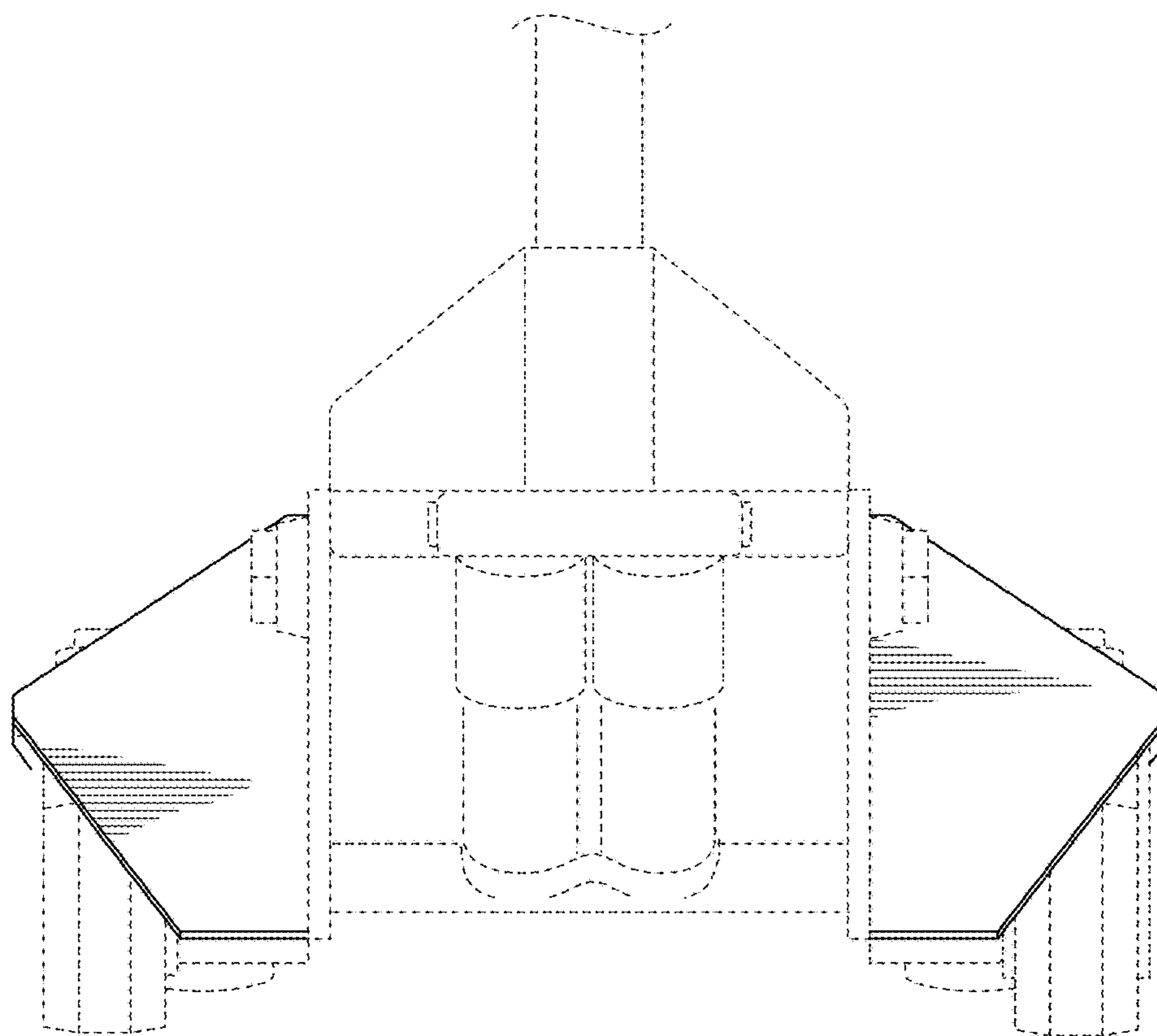


FIG. 3

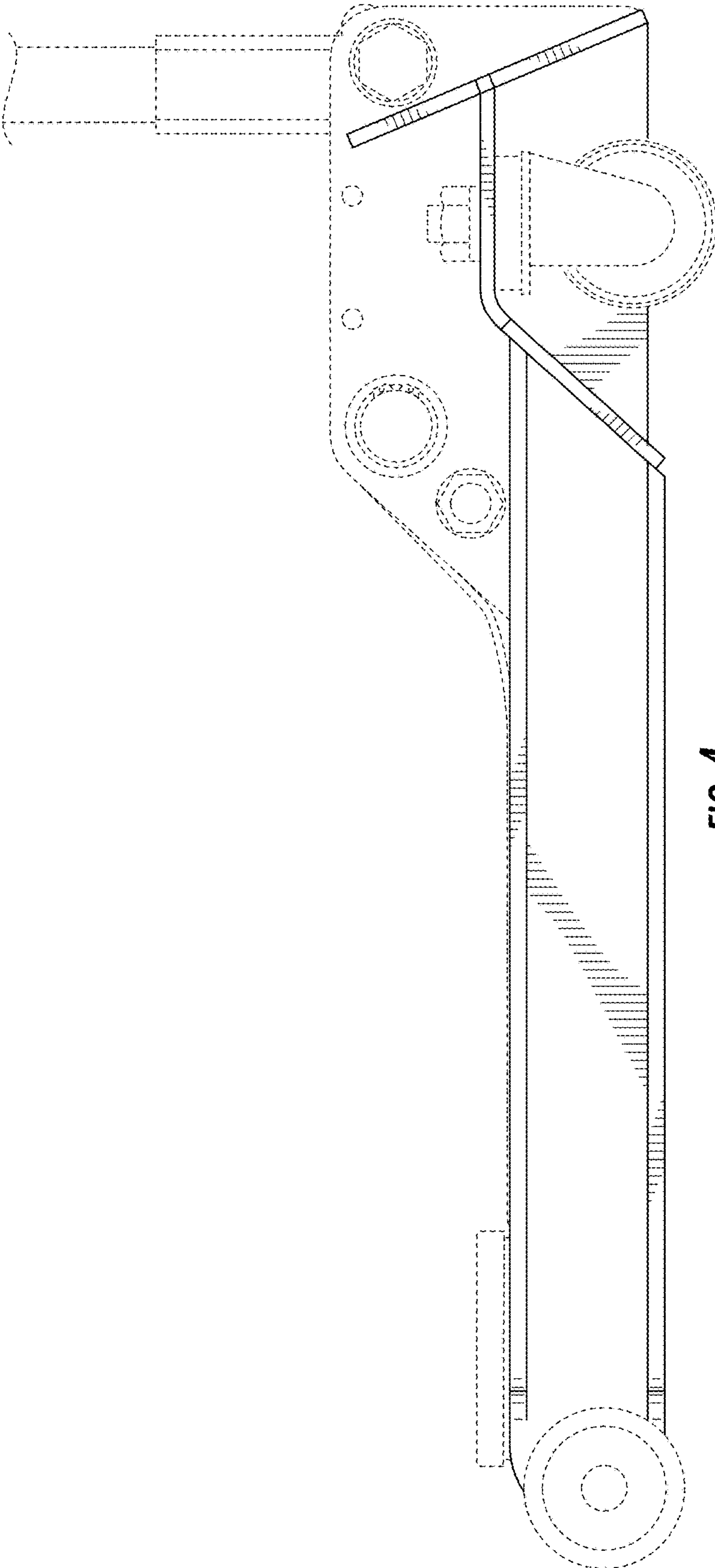


FIG. 4

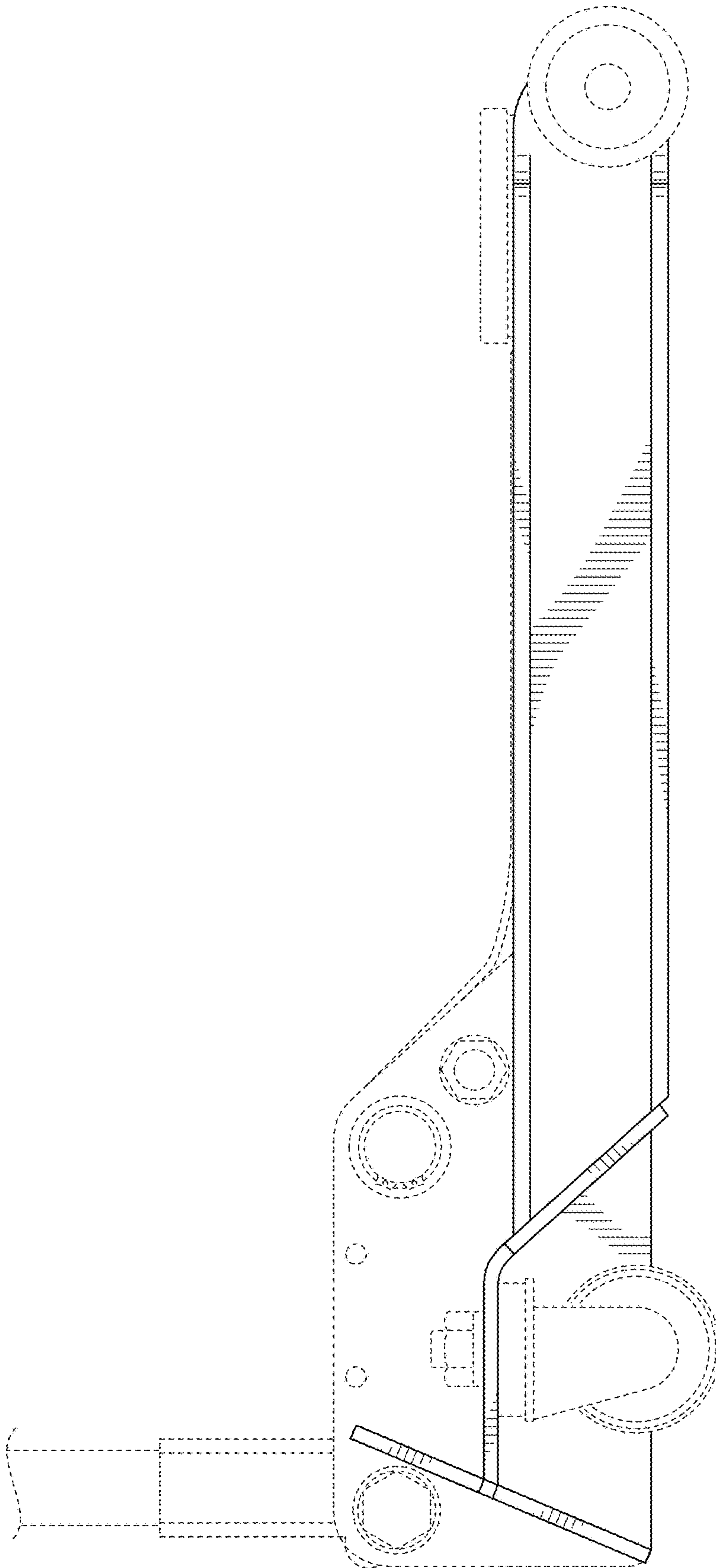


FIG. 5

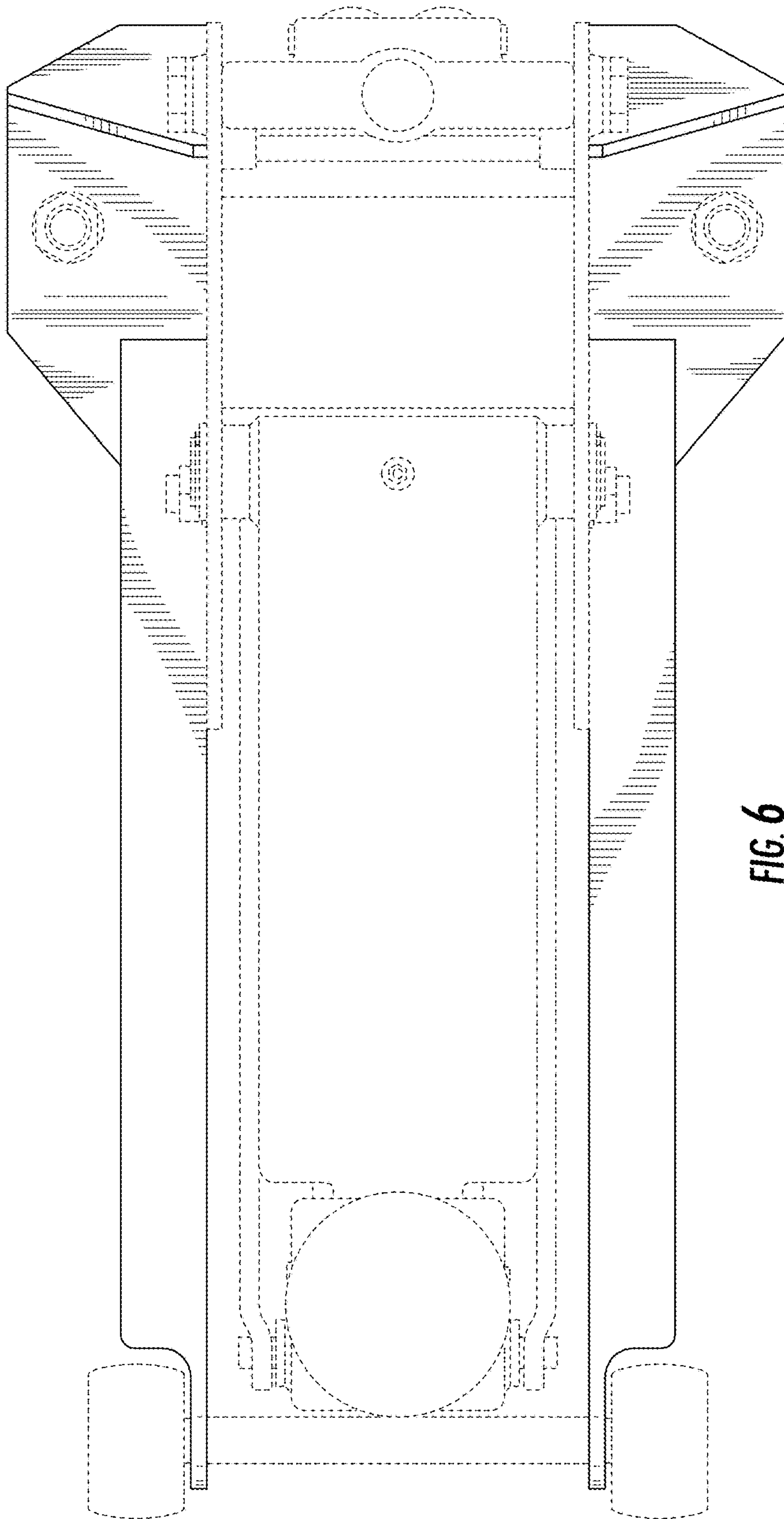


FIG. 6

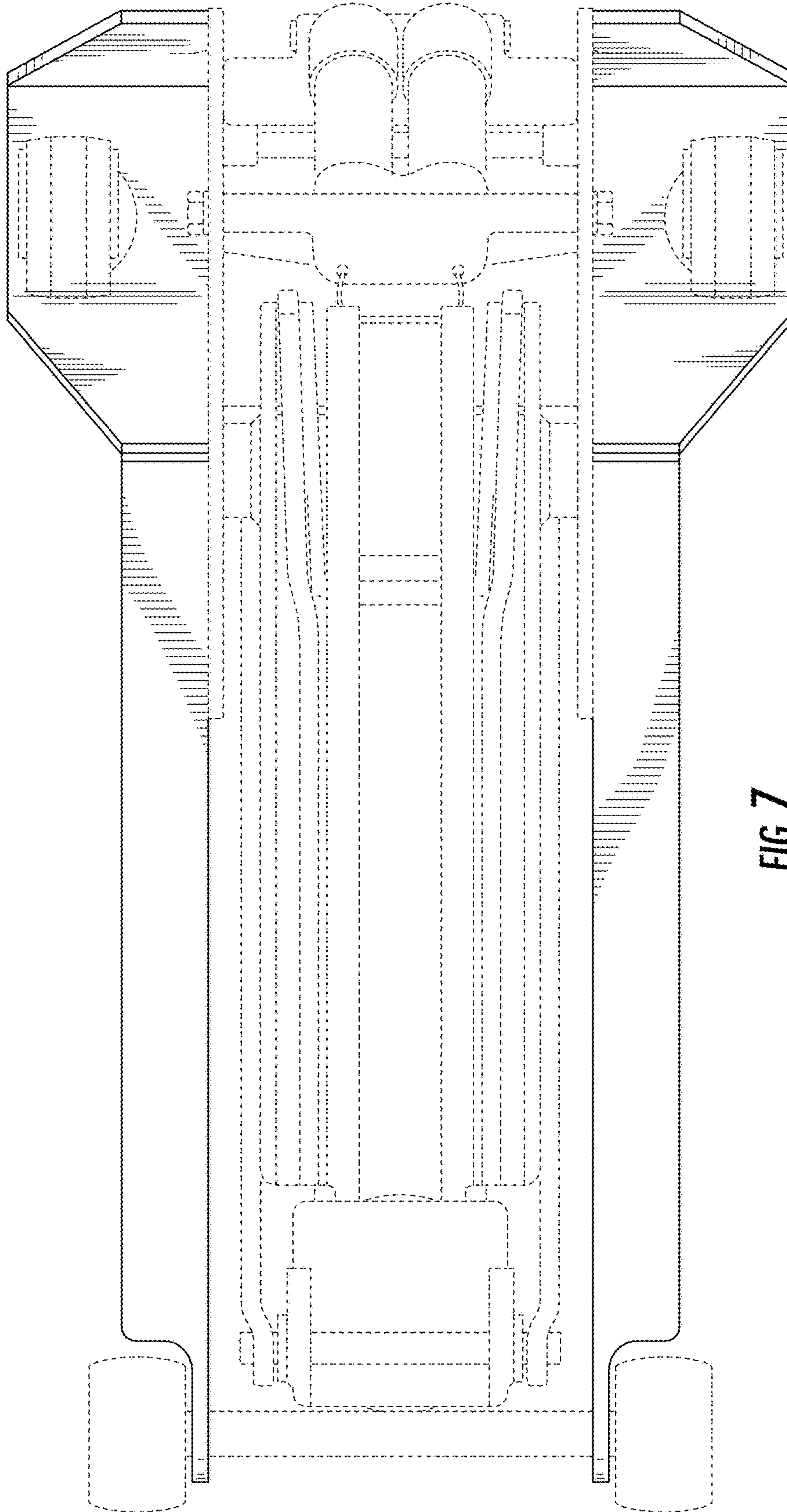


FIG. 7

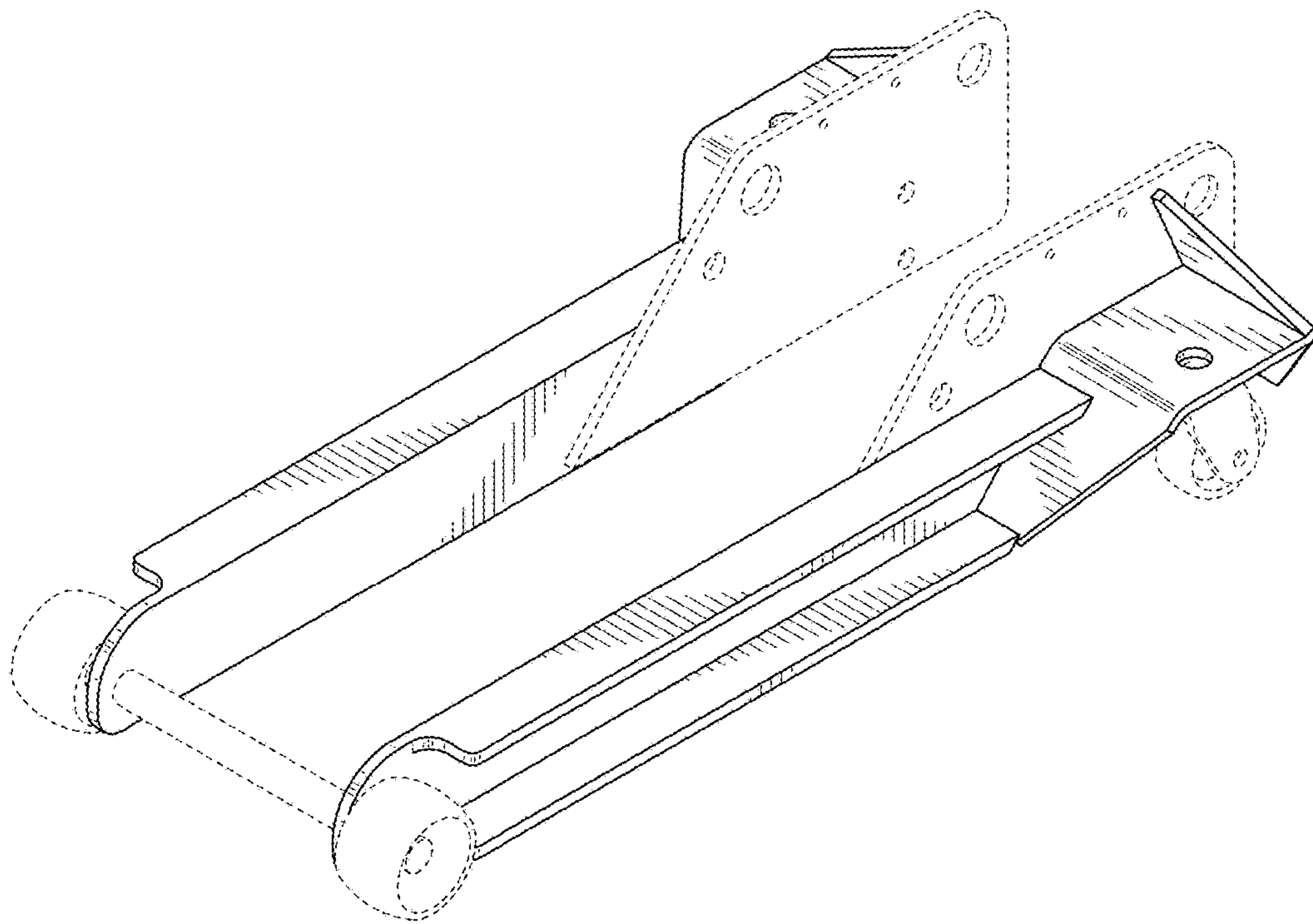


FIG. 8