



US00D799141S

(12) **United States Design Patent**
Stewart

(10) **Patent No.:** **US D799,141 S**
(45) **Date of Patent:** **** Oct. 3, 2017**

(54) **AIRPLANE JACK ADAPTER**

(71) Applicant: **Steven S Stewart**, Palm Springs, CA
(US)

(72) Inventor: **Steven S Stewart**, Palm Springs, CA
(US)

(**) Term: **15 Years**

(21) Appl. No.: **29/565,455**

(22) Filed: **May 20, 2016**

(51) **LOC (10) Cl.** **12-05**

(52) **U.S. Cl.**
USPC **D34/31**

(58) **Field of Classification Search**
USPC 254/11, 12, 15, 120, 134, 2 R, 418, 45,
254/84, 88, 8 R, 93 H, 93 R, 98, 100;
D34/28, 31, 35; D8/499; D12/345, 223
CPC B66F 1/00; B66F 3/00; B66F 5/00
See application file for complete search history.

(56) **References Cited**

U.S. PATENT DOCUMENTS

D284,065 S *	6/1986	Tod	D34/35
D469,939 S *	2/2003	Speckhart, Jr.	D34/35
D532,576 S *	11/2006	Simpson	D34/31
D578,487 S *	10/2008	Han	D13/154
D599,478 S *	9/2009	Bizup	D24/128

D790,797 S * 6/2017 Buell D34/35

* cited by examiner

Primary Examiner — Cynthia Ramirez
Assistant Examiner — Michael Maharajh
(74) *Attorney, Agent, or Firm* — Loyal McKinley Hanson

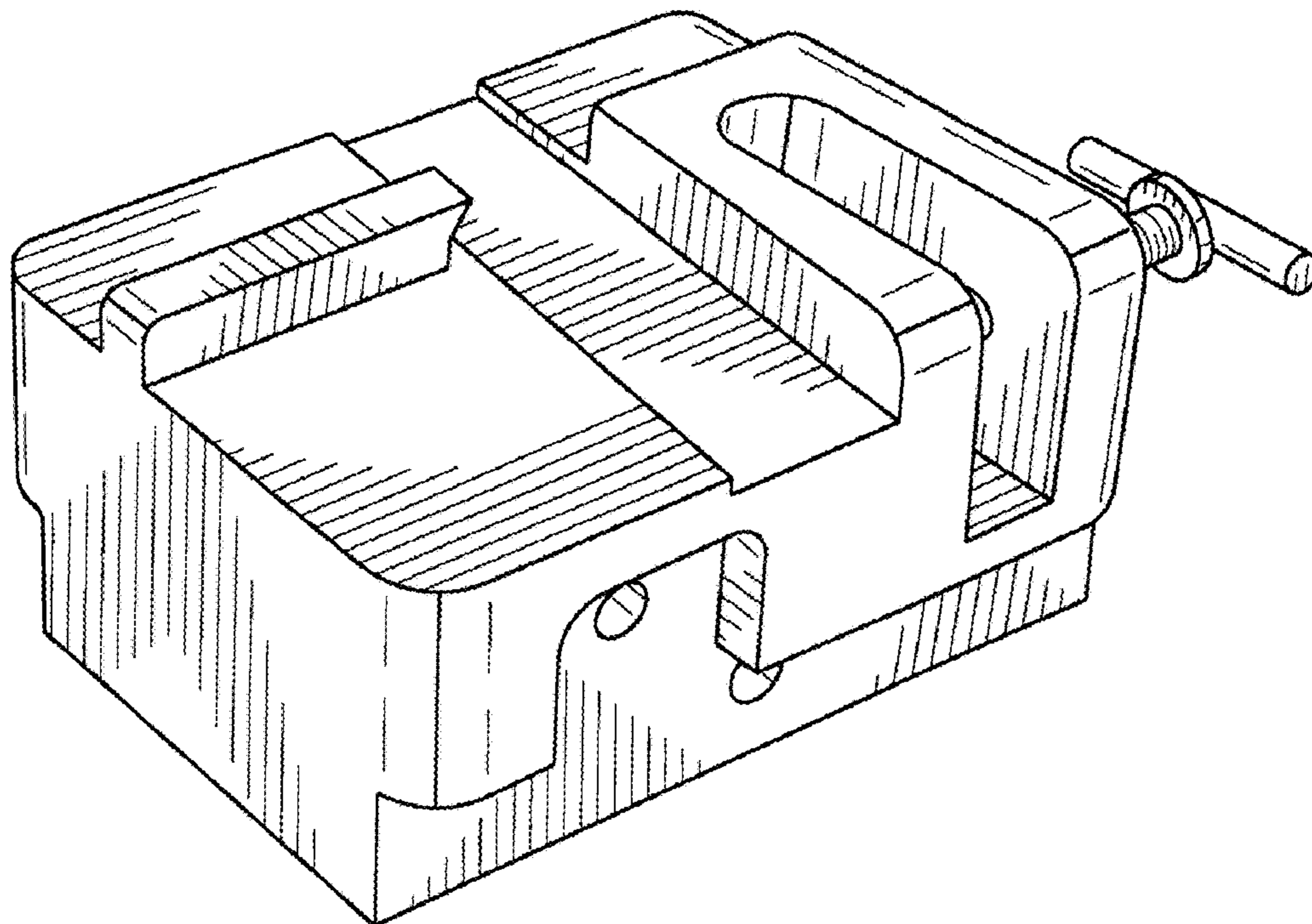
(57) **CLAIM**

I claim the ornamental design for an airplane jack adapter, as shown and described.

DESCRIPTION

FIG. 1 of the drawings is a first perspective view showing the front, the top, and a first side of an airplane jack adapter embodying the design of my invention; FIG. 2 is a second perspective view showing the bottom, the back, and a second side of the airplane jack adapter; FIG. 3 is an elevation view of the first side of the airplane jack adapter; FIG. 4 is an elevation view of the front of the airplane jack adapter; FIG. 5 is a top plan view of the airplane jack adapter; FIG. 6 is an elevation view of the second side of the airplane jack adapter; FIG. 7 is an elevation view of the back of the airplane jack adapter; and, FIG. 8 is a bottom plan view of the airplane jack adapter. The airplane jack adapter is a device for interfacing an airplane jack to the lower strut fitting of the nose wheel assembly of an aircraft.

1 Claim, 3 Drawing Sheets



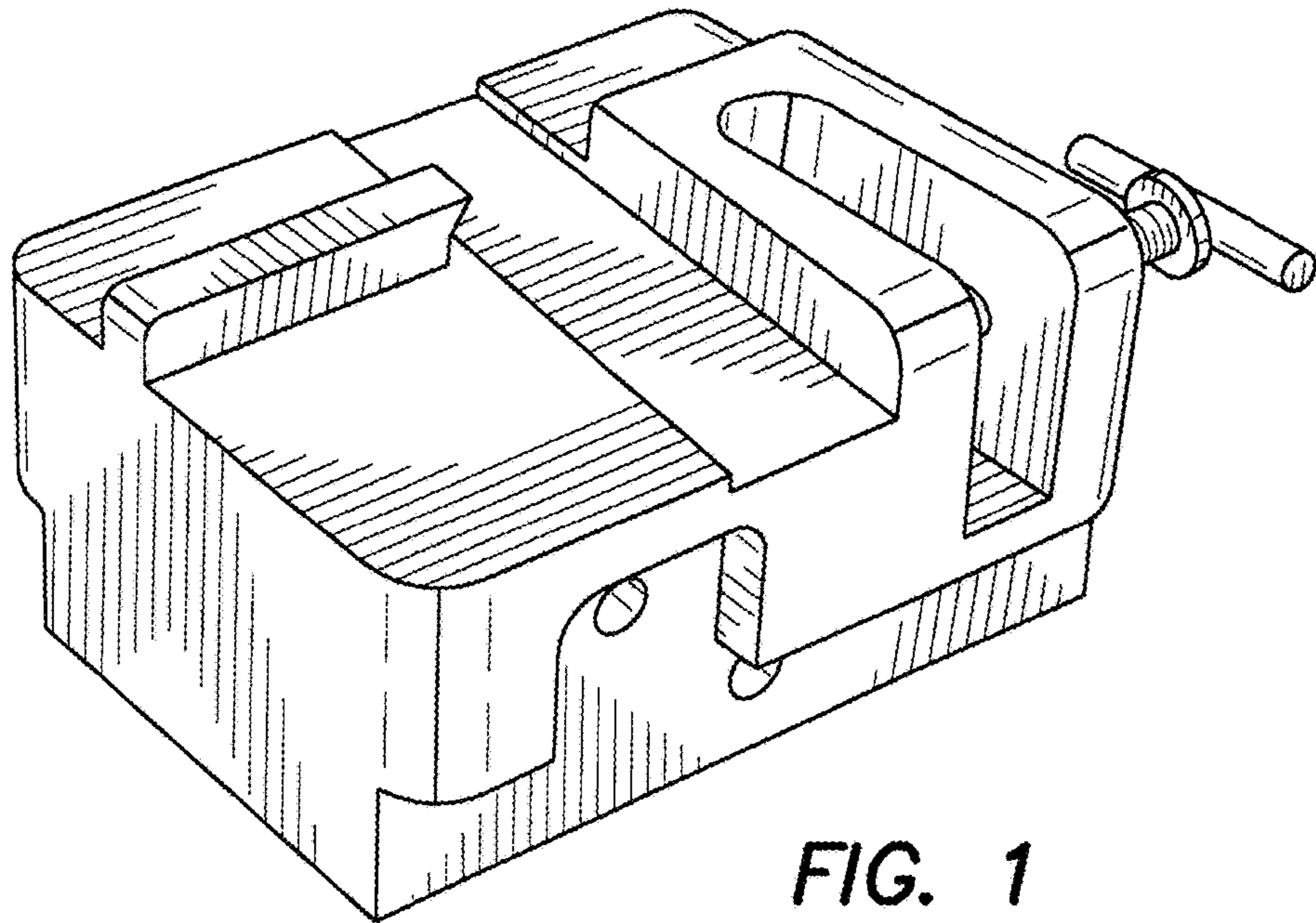


FIG. 1

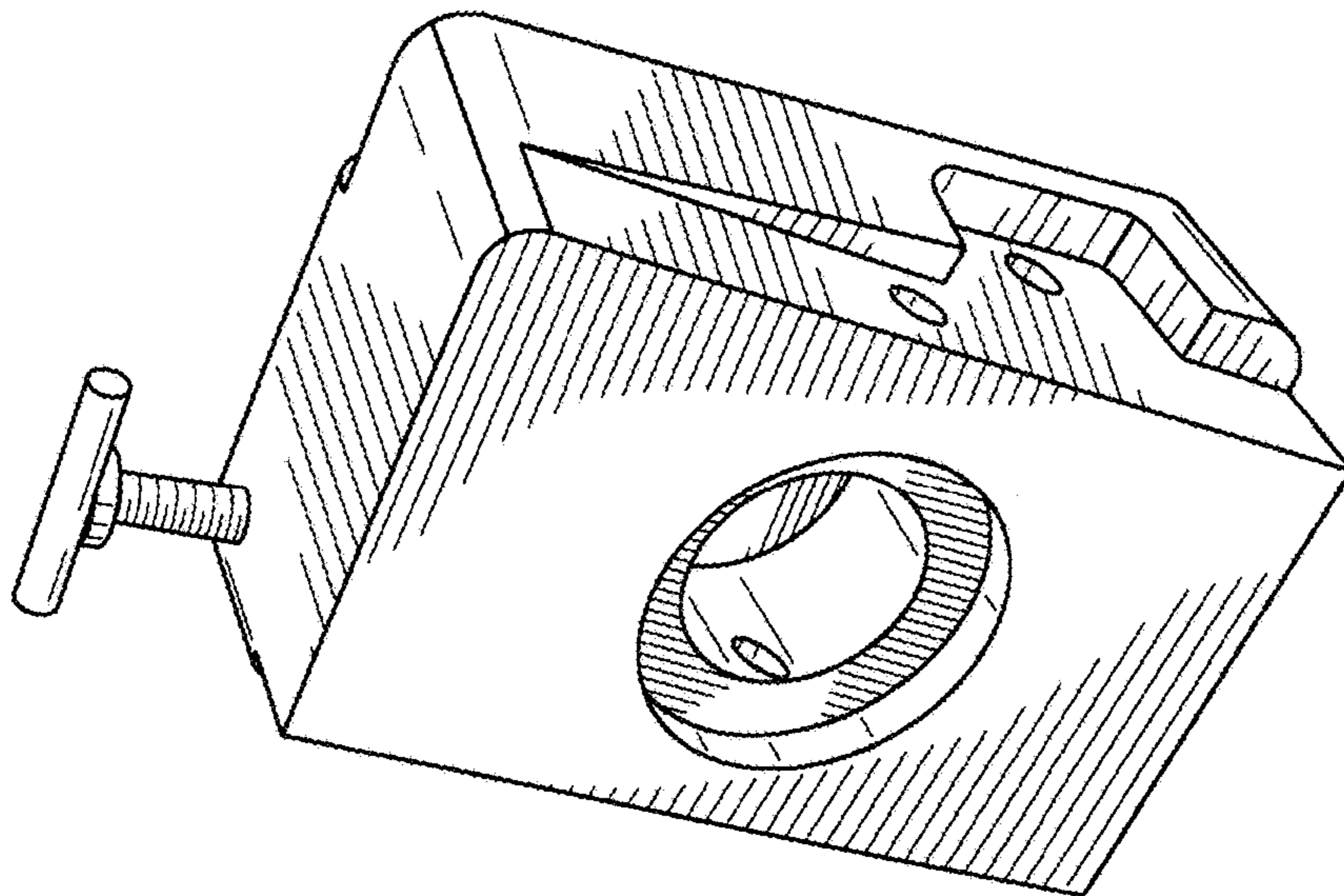


FIG. 2

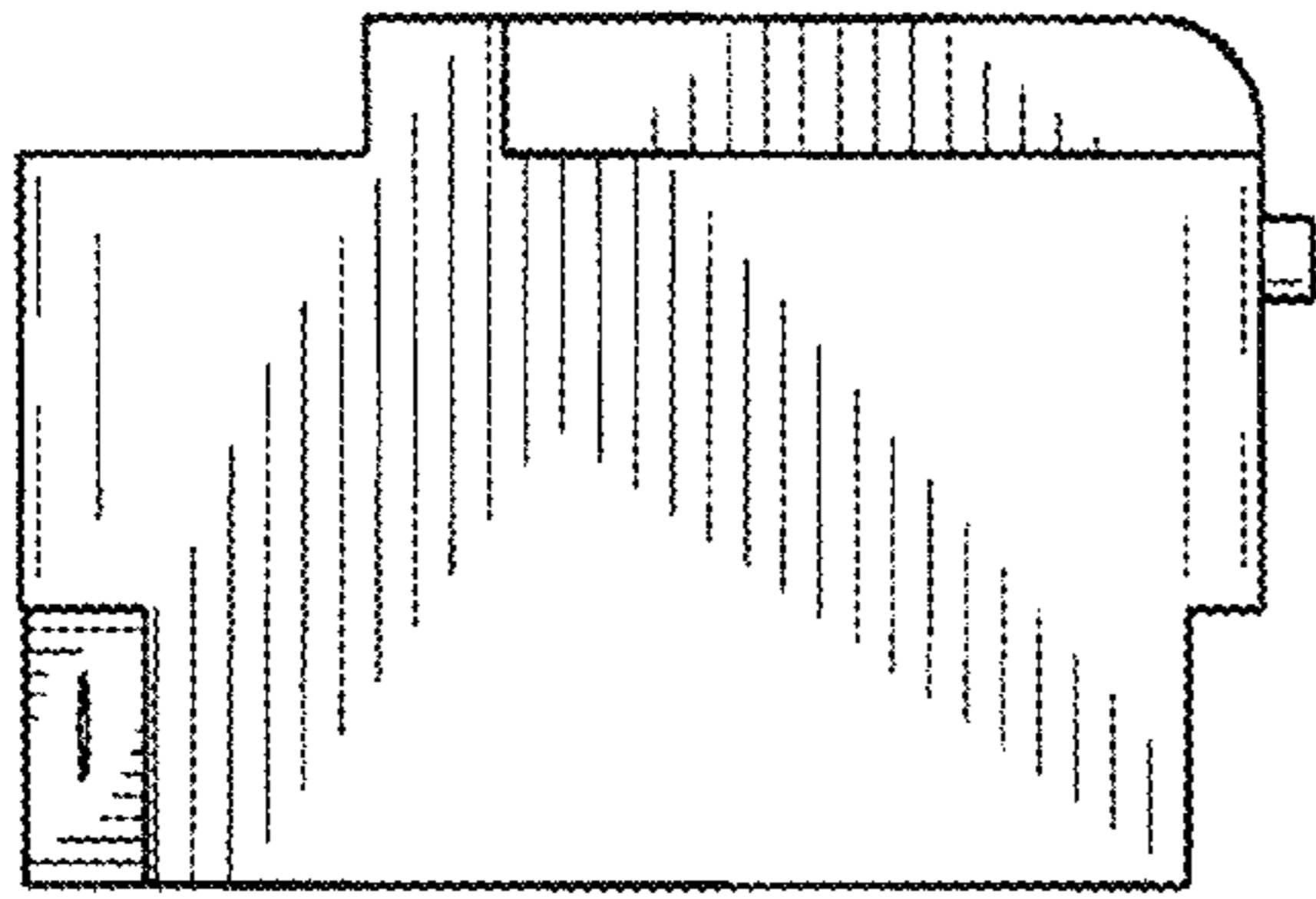


FIG. 3

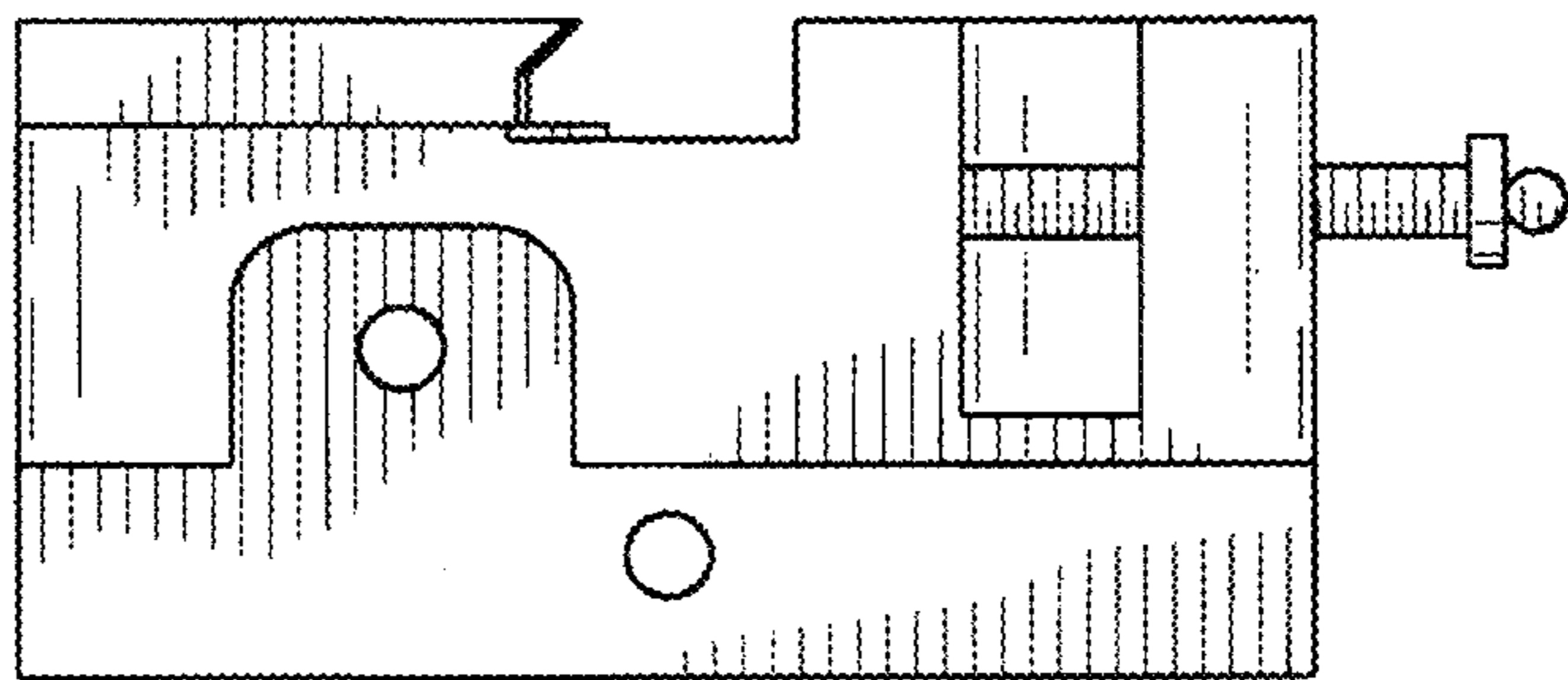


FIG. 4

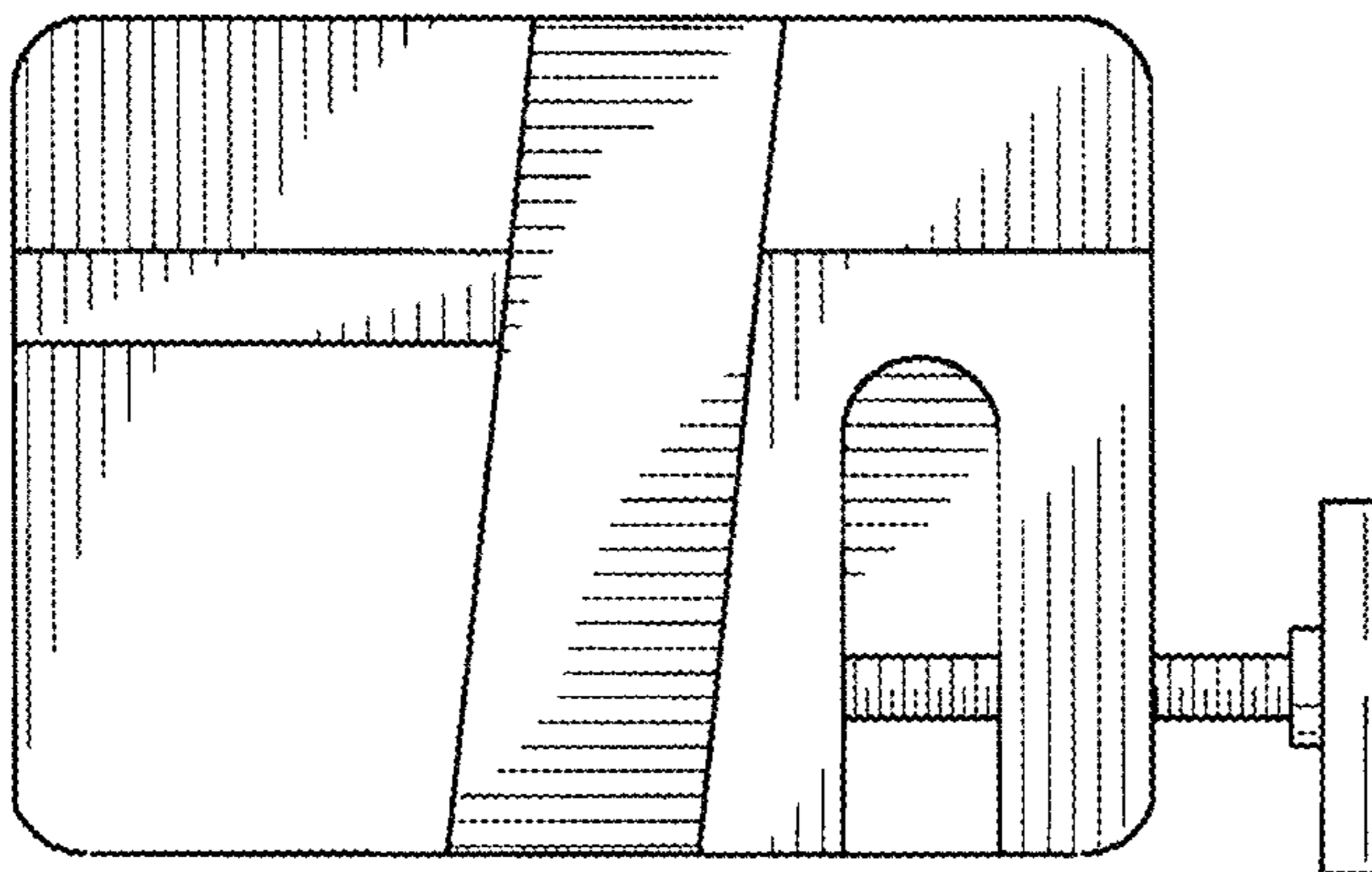


FIG. 5

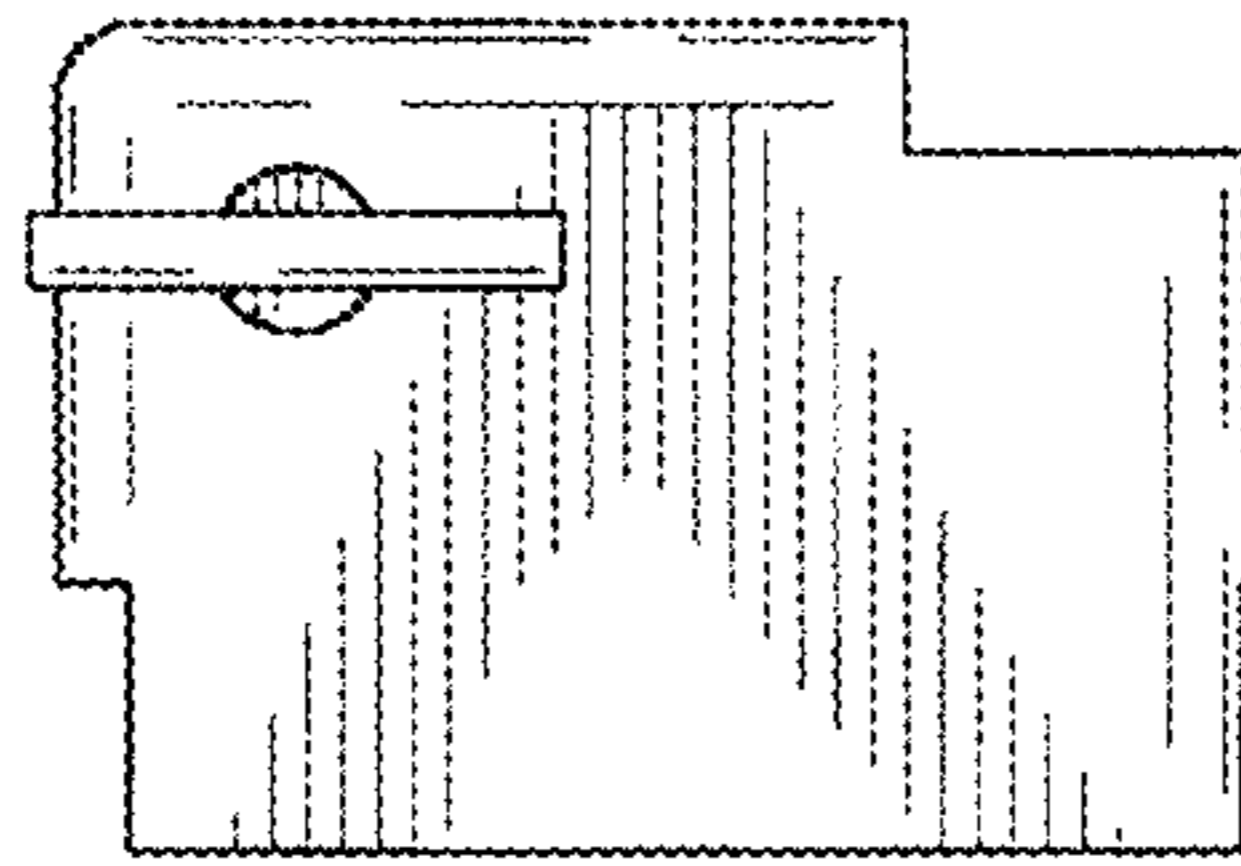


FIG. 6

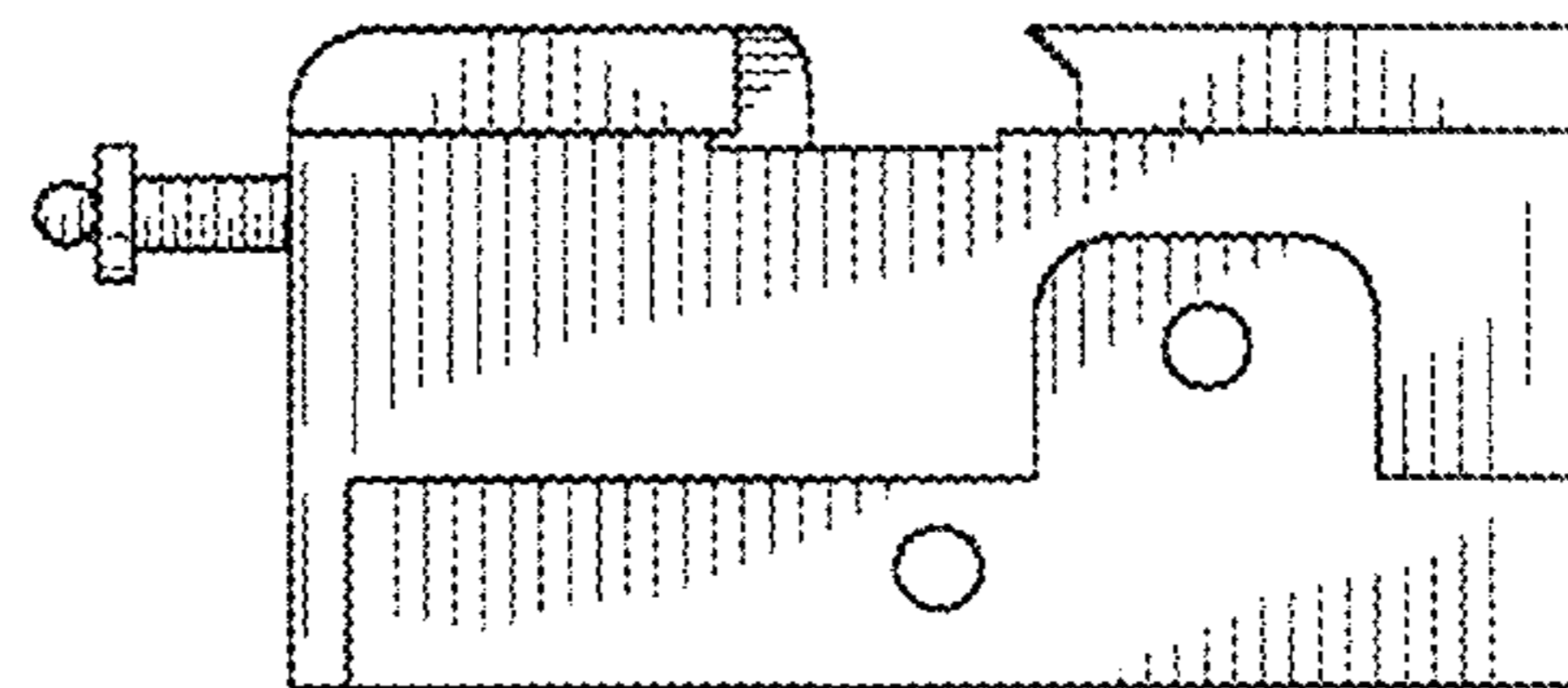


FIG. 7

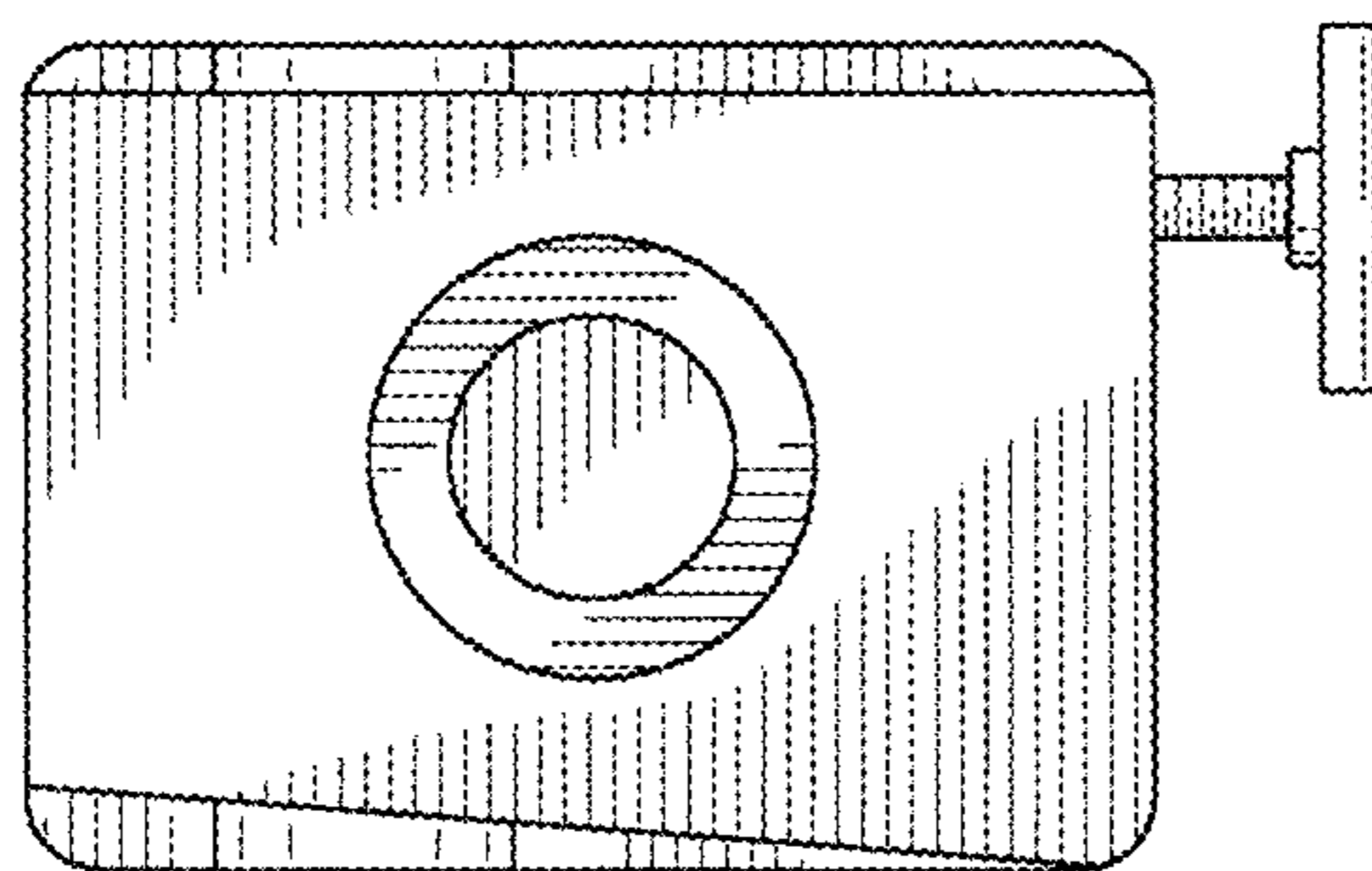


FIG. 8